



US00D734683S

(12) **United States Design Patent**
Middione et al.

(10) **Patent No.:** **US D734,683 S**
(45) **Date of Patent:** **** Jul. 21, 2015**

(54) **SOUND GENERATOR FOR SPOKED WHEELS**

(71) Applicants: **Joseph Middione**, Fresno, CA (US);
Jacob Van Meter, Mariposa, CA (US)

(72) Inventors: **Joseph Middione**, Fresno, CA (US);
Jacob Van Meter, Mariposa, CA (US)

(**) Term: **14 Years**

(21) Appl. No.: **29/478,701**

(22) Filed: **Jan. 7, 2014**

Related U.S. Application Data

(63) Continuation-in-part of application No. 13/775,181,
filed on Feb. 23, 2013, now abandoned.

(51) **LOC (10) Cl.** **10-06**

(52) **U.S. Cl.**
USPC **D10/116.1**

(58) **Field of Classification Search**
USPC D26/9, 10, 12, 13, 15, 16, 24, 51, 61,
D26/72, 76, 80, 81, 85, 86, 88, 90, 113, 118,
D26/119, 120, 122, 128, 129, 138, 143,
D26/144; D13/180; D10/18, 21, 24, 25, 27,
D10/28, 46, 93, 104.1, 113, 114, 116
CPC B60Q 1/04; B60Q 1/26; F21S 8/026;
F21S 8/04; F21V 29/004; F21V 21/02;
F21V 21/04; F21V 29/2212; F21Y 2101/02
See application file for complete search history.

(56) **References Cited**

U.S. PATENT DOCUMENTS

D41,125 S * 1/1911 Klee D6/310
2,443,430 A * 6/1948 Nigro 264/243
3,740,881 A * 6/1973 Finger 40/609
3,905,151 A * 9/1975 Zweigle
D255,237 S * 6/1980 Frick D14/440
D262,664 S * 1/1982 Willits, Jr. D6/308

D279,201 S * 6/1985 Shuman D20/43
D373,545 S * 9/1996 Armanno, Sr. D10/106.1
D385,884 S * 11/1997 Luo D14/226
D396,251 S * 7/1998 Mortensen D20/41
D407,034 S * 3/1999 Santavicca D10/106.1
D413,278 S * 8/1999 Kuwabara D10/116.1
D415,706 S * 10/1999 Ikeda D10/106.6
5,973,591 A * 10/1999 Schwartz et al. 340/384.7
D417,166 S * 11/1999 DeGroot D10/119.1
6,039,338 A * 3/2000 Perea et al.
D423,970 S * 5/2000 Waldner D10/104.1

(Continued)

OTHER PUBLICATIONS

Lucky 7 Noise Maker, image post date Apr. 24, 2014, site visited ,
(online), <https://www.youtube.com/watch?v=Ar2gMmBz0jo&feature=player_detailpage#t=3>.*

(Continued)

Primary Examiner — Kevin Rudzinski

Assistant Examiner — Sean D Lough

(74) *Attorney, Agent, or Firm* — Mark D. Miller; William K. Nelson

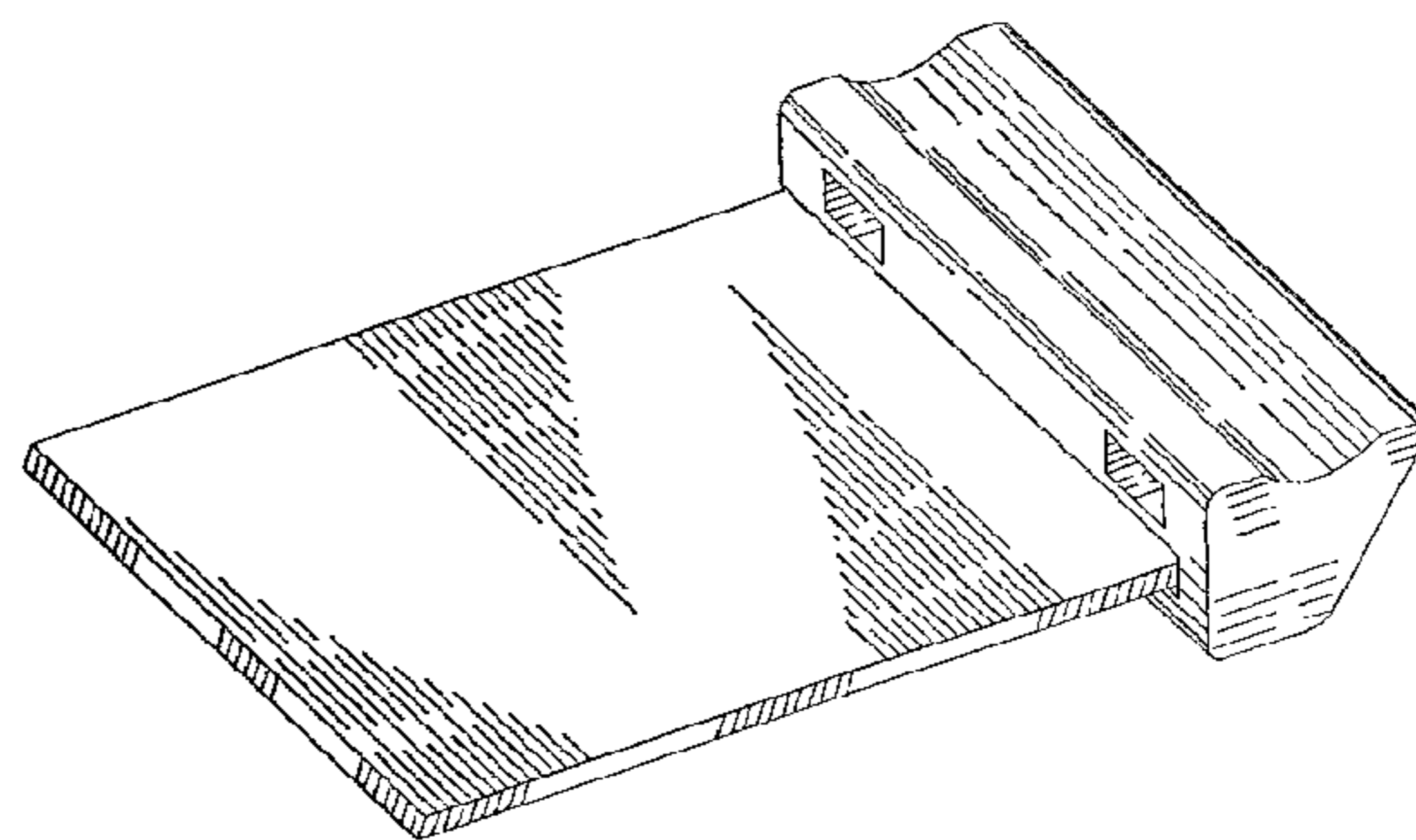
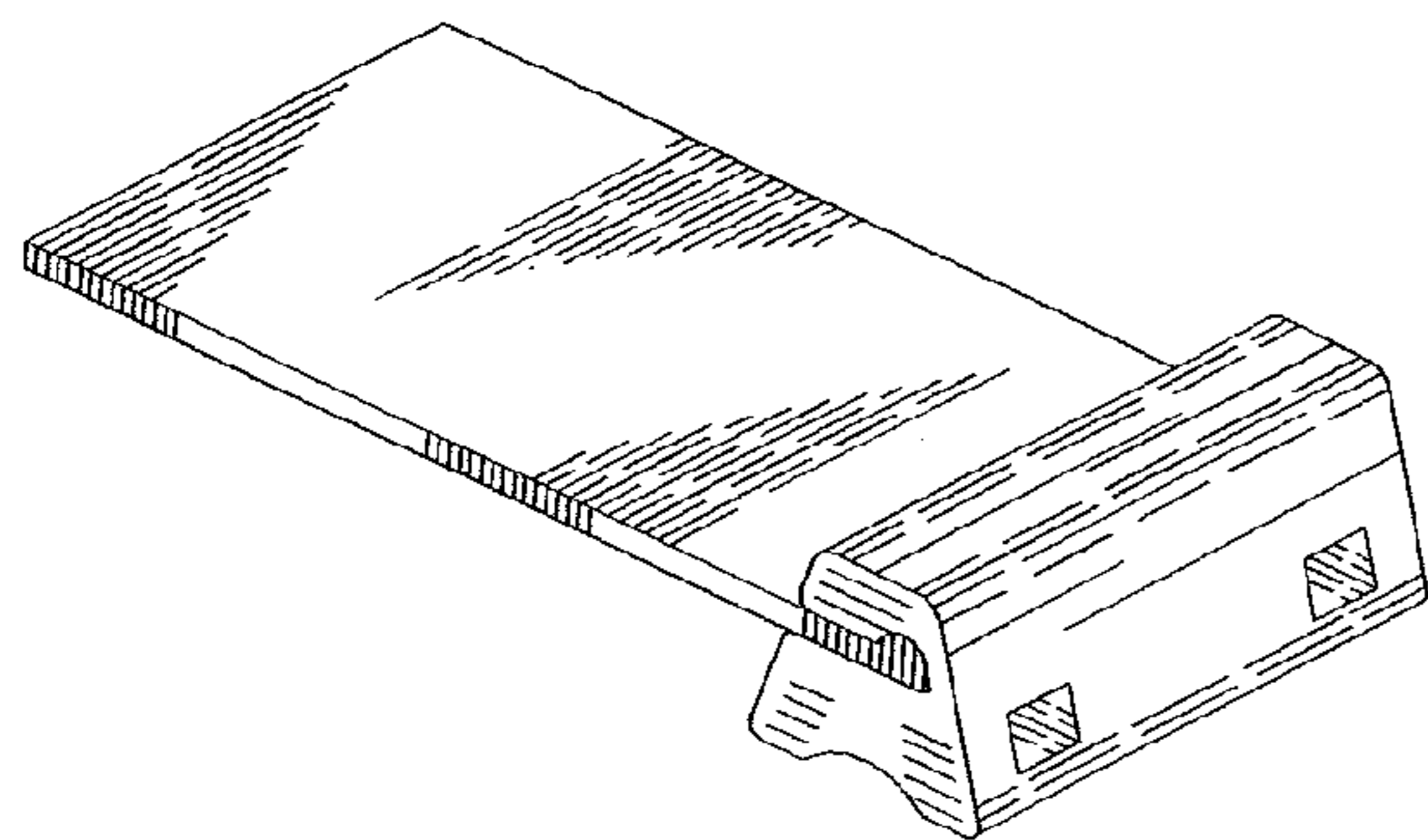
(57) **CLAIM**

We claim the ornamental design for a sound generator for
spoked wheels, as shown and described.

DESCRIPTION

FIG. 1 is a top perspective view of a sound generator for
spoked wheels showing our new design;
FIG. 2 is another top perspective view thereof;
FIG. 3 is a bottom perspective view thereof;
FIG. 4 is a bottom plan view thereof;
FIG. 5 is a top plan view thereof;
FIG. 6 is a left side elevational view thereof;
FIG. 7 is a right side elevational view thereof;
FIG. 8 is an end view thereof; and,
FIG. 9 is an opposite end view thereof.

1 Claim, 2 Drawing Sheets



(56)

References Cited

U.S. PATENT DOCUMENTS

D431,791 S * 10/2000 Watanabe D10/116.1
 D440,174 S * 4/2001 Asahina D10/116.1
 6,427,537 B1 * 8/2002 Svensson 73/660
 D470,788 S * 2/2003 Friess D10/118
 6,756,901 B2 * 6/2004 Campman 340/573.1
 D501,419 S * 2/2005 Oja et al. D10/104.1
 D509,543 S * 9/2005 Hillstrom et al. D20/41
 D511,471 S * 11/2005 Cox D10/116.1
 D525,307 S * 7/2006 Arnold D19/90
 D553,532 S * 10/2007 Wright et al. D10/119.2
 7,694,988 B2 4/2010 Sturtevant
 D617,743 S * 6/2010 Arosio D13/165
 D620,455 S * 7/2010 Teixeira Pinto Dias D13/164
 D639,086 S * 6/2011 Curbbun et al. D6/396
 D644,550 S 9/2011 Spencer et al.

D659,304 S * 5/2012 Vatka et al. D30/155
 D661,123 S * 6/2012 Curbbun et al. D6/396
 D661,124 S * 6/2012 Curbbun et al. D6/396
 D672,073 S * 12/2012 Schrimmer D26/46
 D709,952 S * 7/2014 Logan et al. D20/10
 D725,947 S * 4/2015 Tio et al. D6/675.1
 2004/0116045 A1 6/2004 Coleman

OTHER PUBLICATIONS

Turbospoke Classic, image post date 2013, site visited Apr. 18, 2015, (online), <<http://www.turbospoke.com/classic/>>.*
 Turbospoke bicycle exhaust system product webpage, available at <http://www.turbospoke.com/default.aspx>.
 Turbospoke bicycle exhaust system product photo, available at <http://www.turbospoke.com/media/photos/turbospoke-forest-iso.jpg>.
 Web site for Spokester.com (Mar. 26, 2012).

* cited by examiner

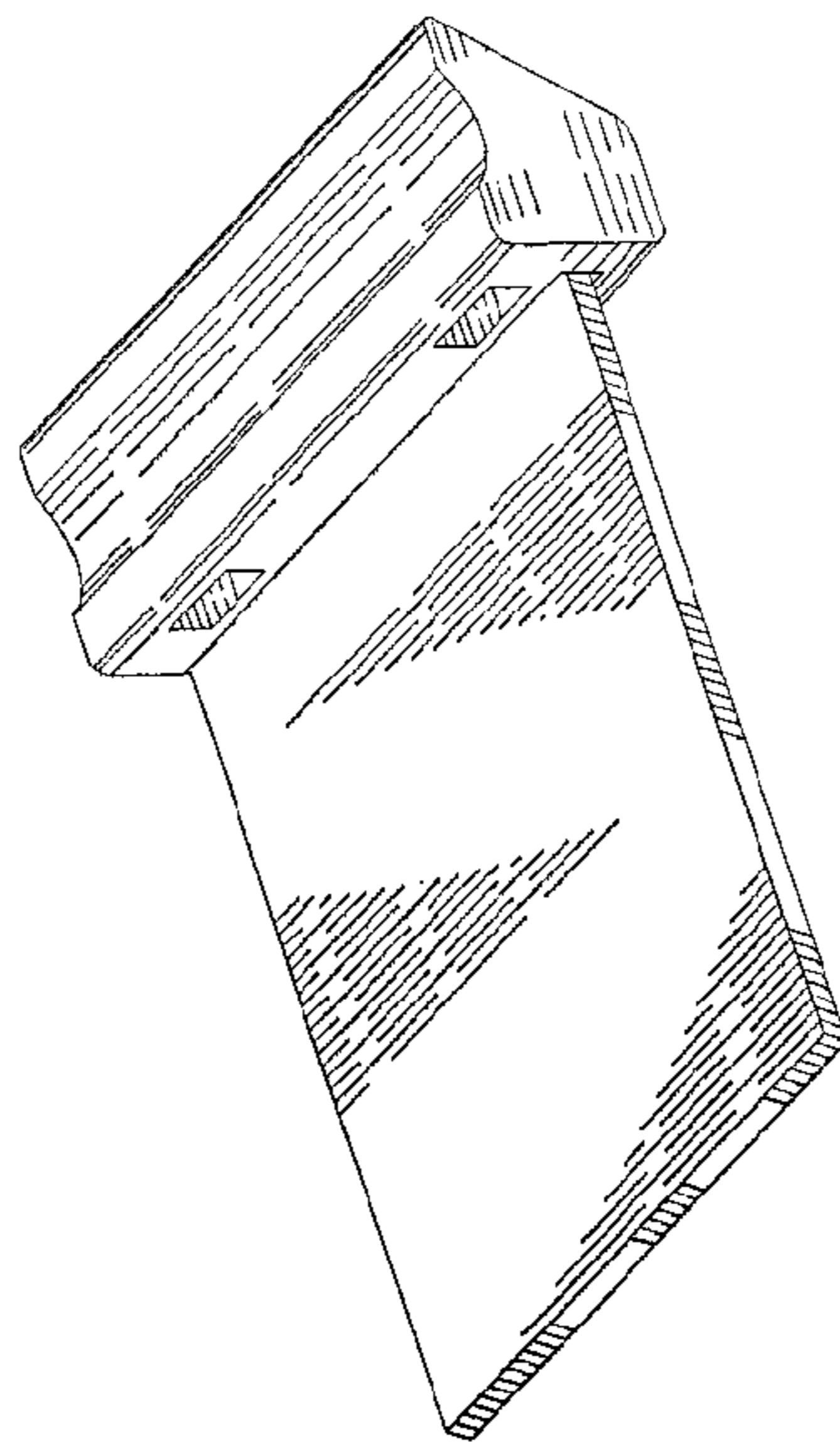


FIG. 3

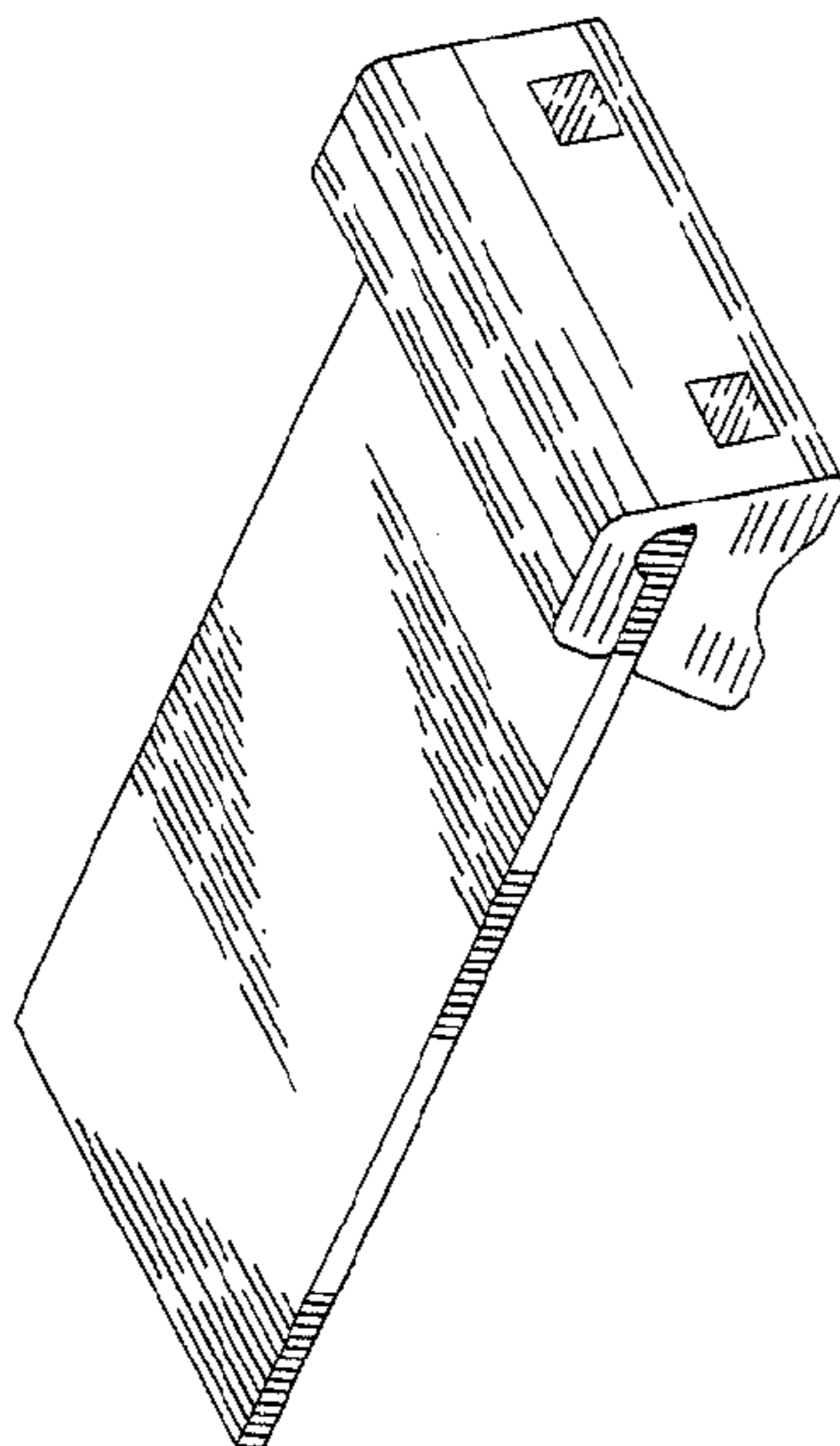


FIG. 2

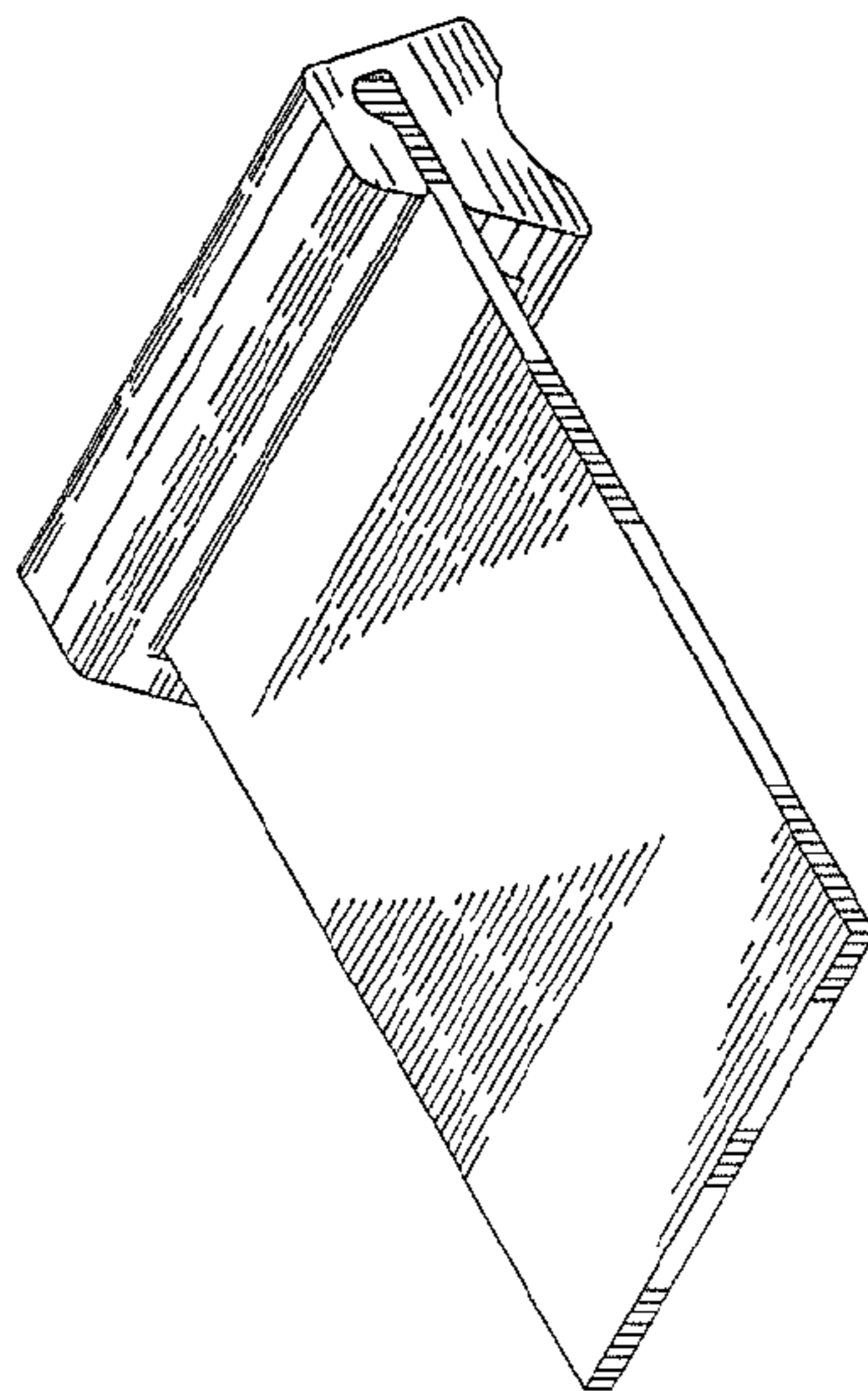


FIG. 1

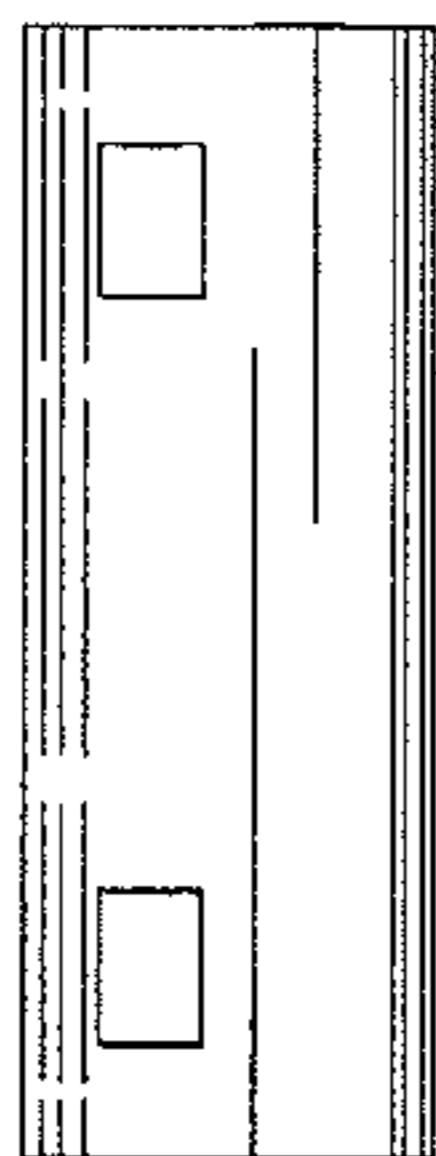


FIG. 8

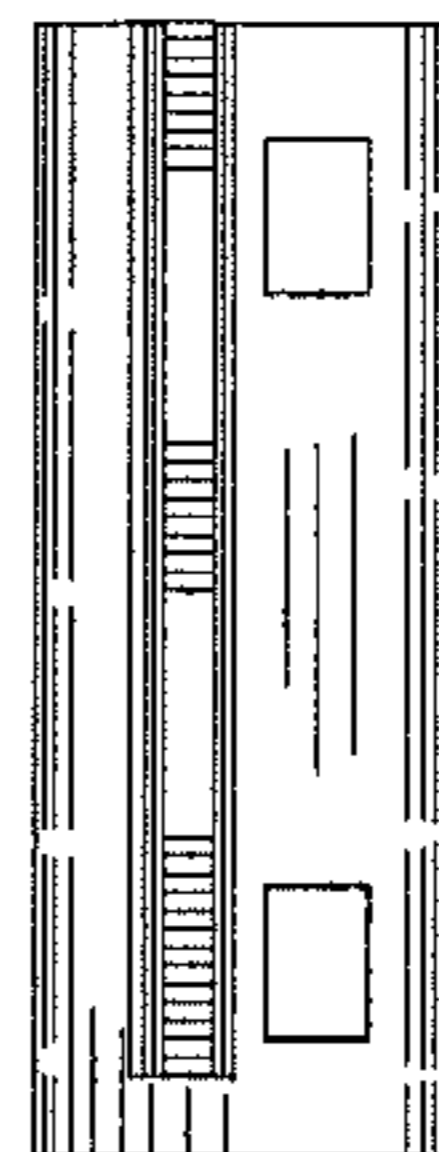


FIG. 9

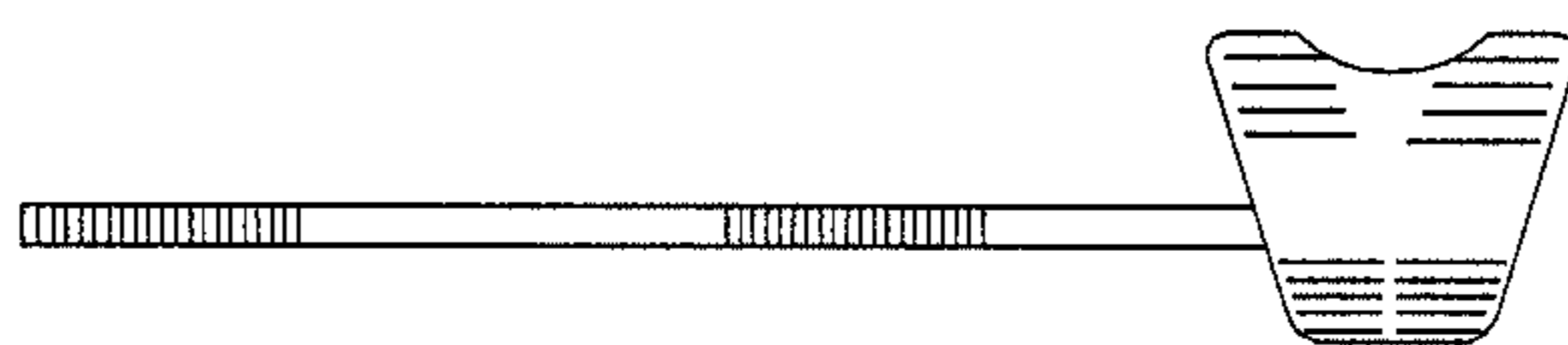


FIG. 7

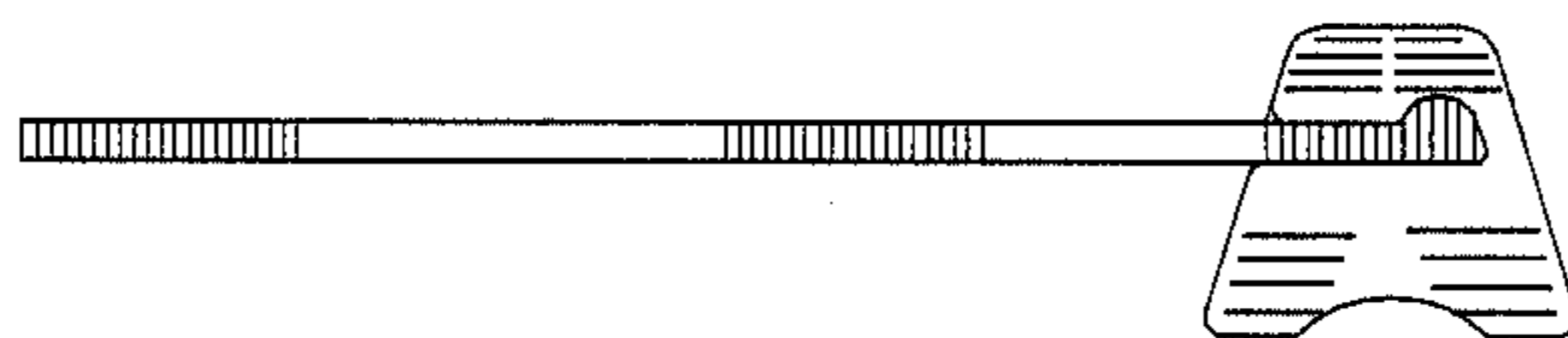


FIG. 6

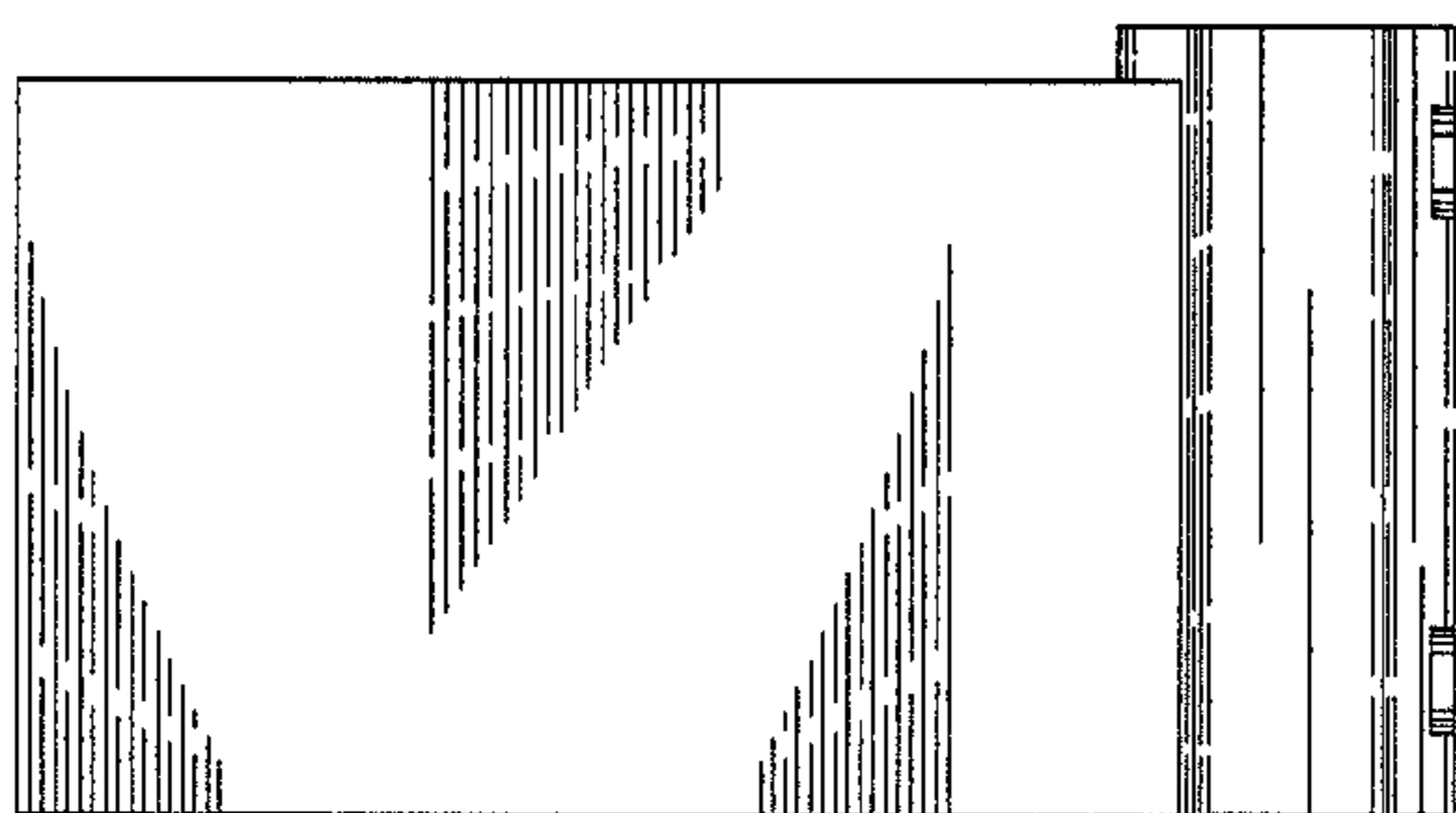


FIG. 5

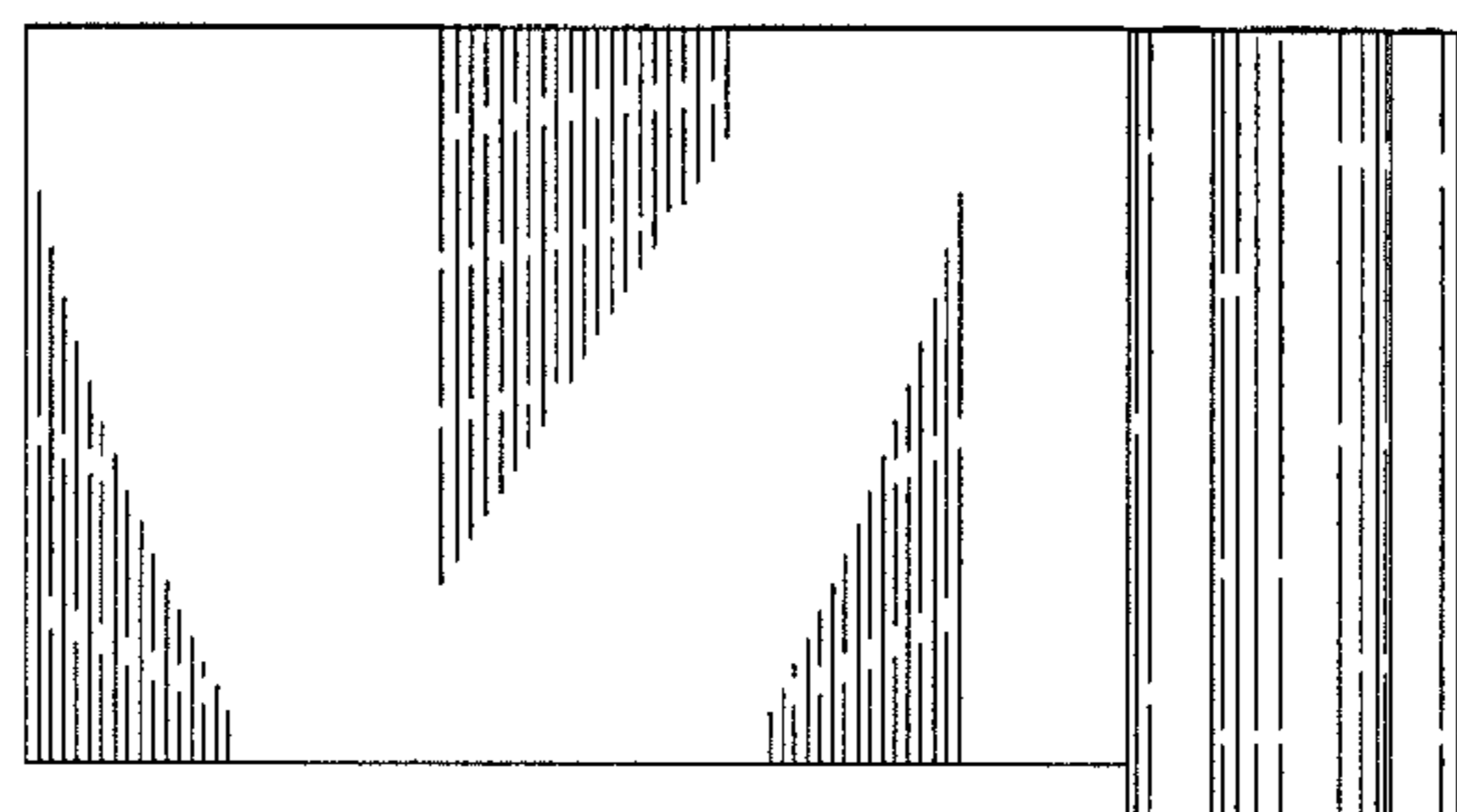


FIG. 4