



US00D734680S

(12) **United States Design Patent**
Eisinger

(10) **Patent No.:** **US D734,680 S**
(45) **Date of Patent:** **** Jul. 21, 2015**

(54) **SHELF PIN JIG**

(71) Applicant: **Darren P. Eisinger**, Carpentersville, IL (US)

(72) Inventor: **Darren P. Eisinger**, Carpentersville, IL (US)

(73) Assignee: **Nomis LLC**, Palatine, IL (US)

(**) Term: **14 Years**

(21) Appl. No.: **29/484,699**

(22) Filed: **Mar. 12, 2014**

(51) **LOC (10) Cl.** **10-04**

(52) **U.S. Cl.**
USPC **D10/64**

(58) **Field of Classification Search**
USPC D10/64
CPC B25H 3/003; B23B 49/02; B23B 49/023;
B23B 49/026; B23B 47/287; Y10T 408/567;
Y10T 408/568; Y10T 408/96; Y10T 408/97;
Y10T 408/98; Y10T 408/99

See application file for complete search history.

(56) **References Cited**

U.S. PATENT DOCUMENTS

D421,575	S *	3/2000	Palm	D10/64
D454,509	S *	3/2002	Chiang	D10/64
D471,826	S *	3/2003	Rosenstein	D10/64
D479,138	S *	9/2003	Taccolini et al.	D10/64
D625,207	S *	10/2010	Lee et al.	D10/64
2008/0093240	A1 *	4/2008	Liu	206/409
2012/0201621	A1	8/2012	Clark		

OTHER PUBLICATIONS

Bench Dog Shelf Pin Jig—Rockler Woodworking Tools; Rockler Woodworking and Hardware; date last visited May 12, 2014; 3 pages; <http://www.rockler.com/bench-dog-shelf-pin-jig>.

JIG IT® Shelving Jig-JIG IT® Shelving Jig Set (Template & Self-Centering Bit); Rockler Woodworking and Hardware; date last visited May 12, 2014; 4 pages; <http://www.rockler.com/jig-itreg-shelving-jig-jig-it174-shelving-jig-set-template-self-centering-bit>.

Shelf Pin Jig; Kreg; date last visited May 12, 2014; 2 pages; <http://www.kregtool.com/Shelf-Pin-Jig-Prodview.html>.

Drill Shelf Pin Holes with Speed and Accuracy Stock No. 10-072; brochure; known prior to Mar. 12, 2014; 2 pages; Bench Dog Tools, Inc., Medina, Minnesota.

Combo Shelf Pin Template; Woodpeckers®; date last visited May 13, 2014; 2 pages; <http://www.woodpeck.com/sheifpintemplate.html>.

Drilling Jig Accura; Hettich System 32; brochure; known prior to Mar. 12, 2014; 2 pages.

BlackJack™ Woodworking Tools . . . The next Project Just Got Easier; Catalogue #116; known prior to Mar. 12, 2014; 2 pages.

* cited by examiner

Primary Examiner — Antoine D Davis

(74) *Attorney, Agent, or Firm* — Reinhart Boerner Van Deuren P.C.

(57) **CLAIM**

I claim the ornamental design for the shelf pin jig, as shown and described.

DESCRIPTION

FIG. 1 is a top perspective view of the shelf pin jig;

FIG. 2 is a top view thereof;

FIG. 3 is a bottom view thereof;

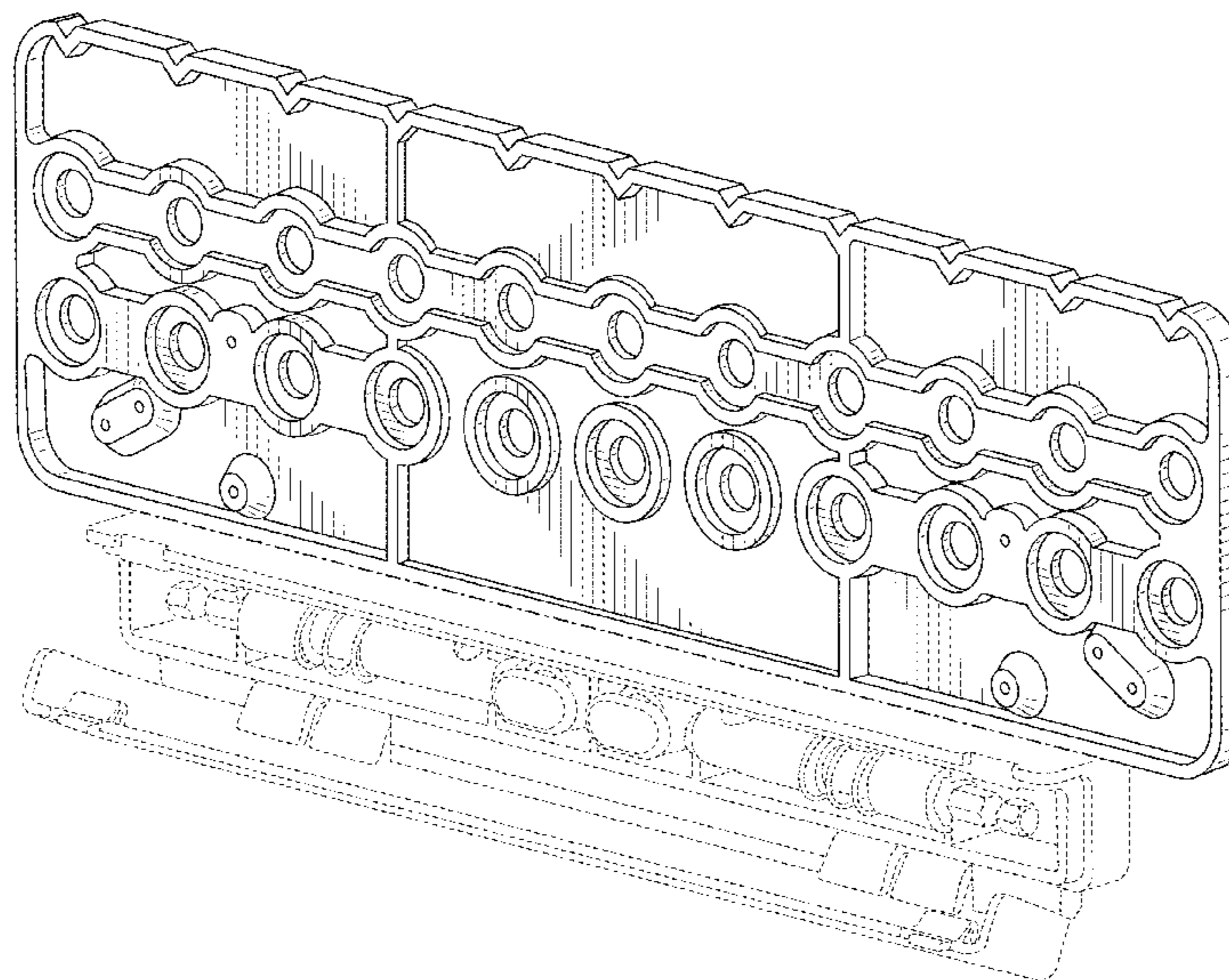
FIG. 4 is a side view thereof;

FIG. 5 is a side view thereof showing the side opposite that shown in FIG. 4;

FIG. 6 is a front view thereof; and,

FIG. 7 is a rear view thereof.

1 Claim, 5 Drawing Sheets



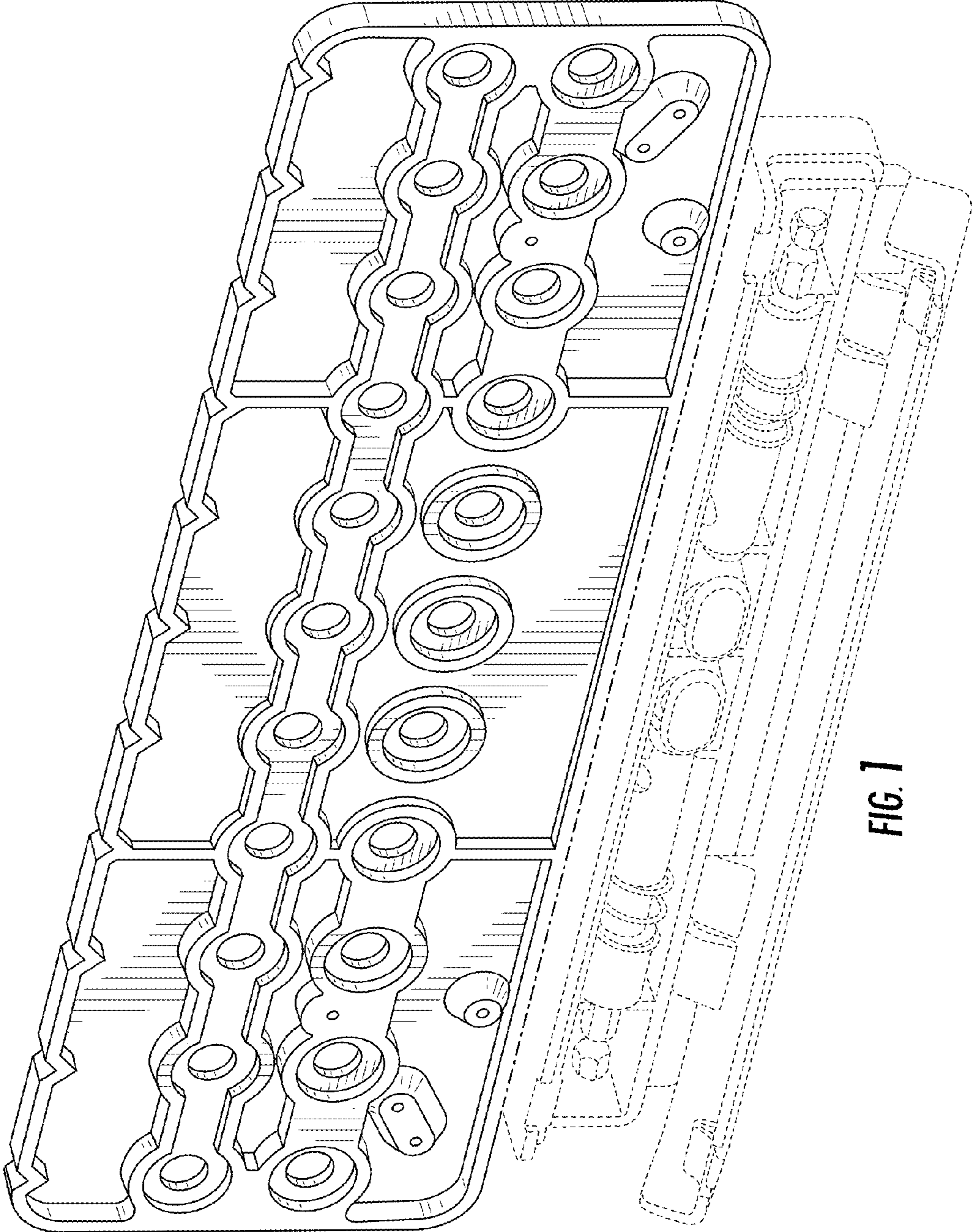


FIG. 1

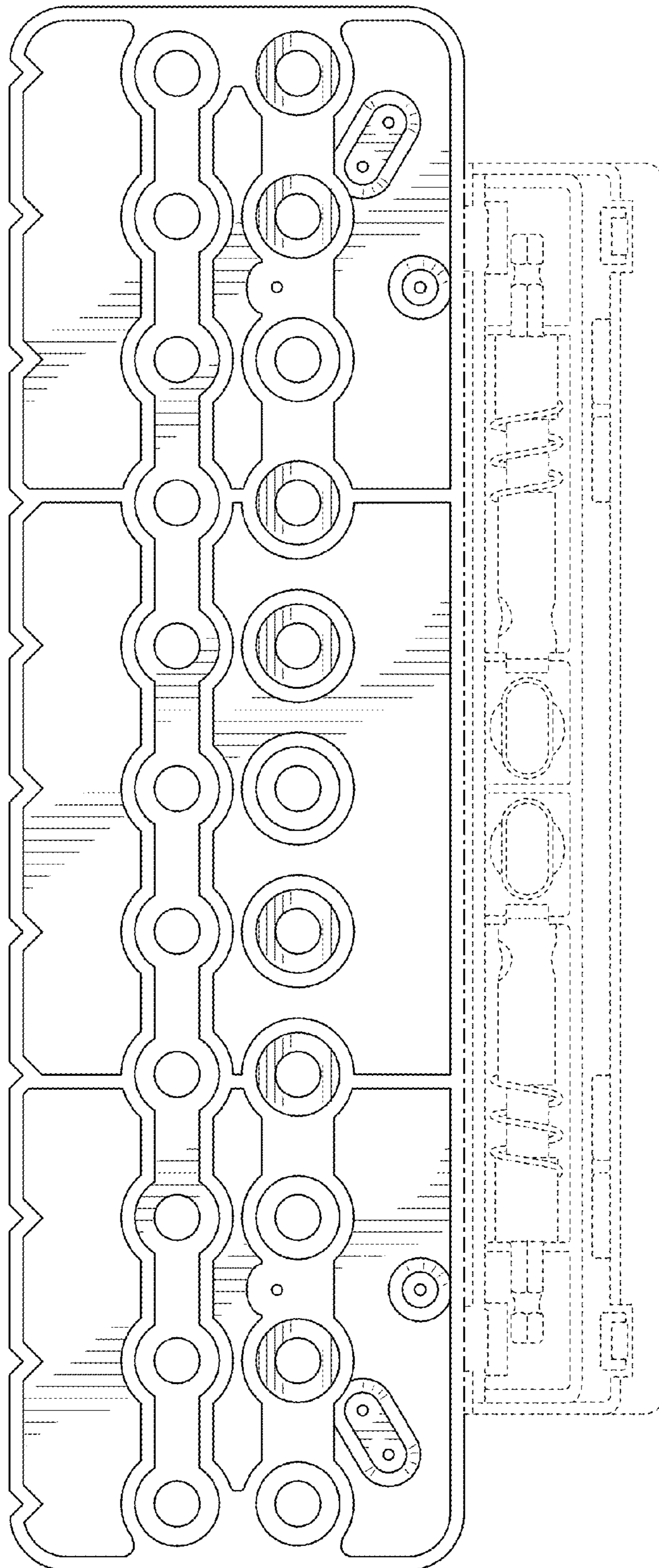


FIG. 2

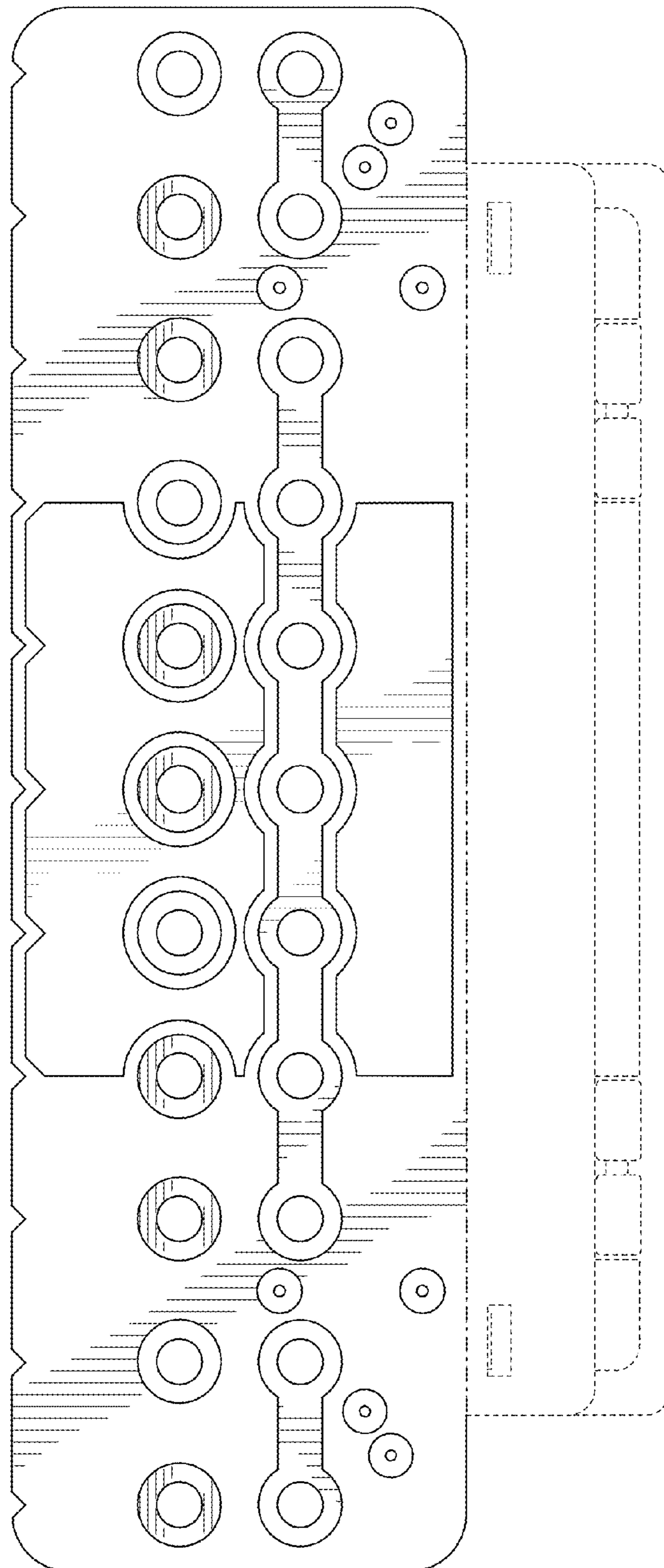


FIG. 3

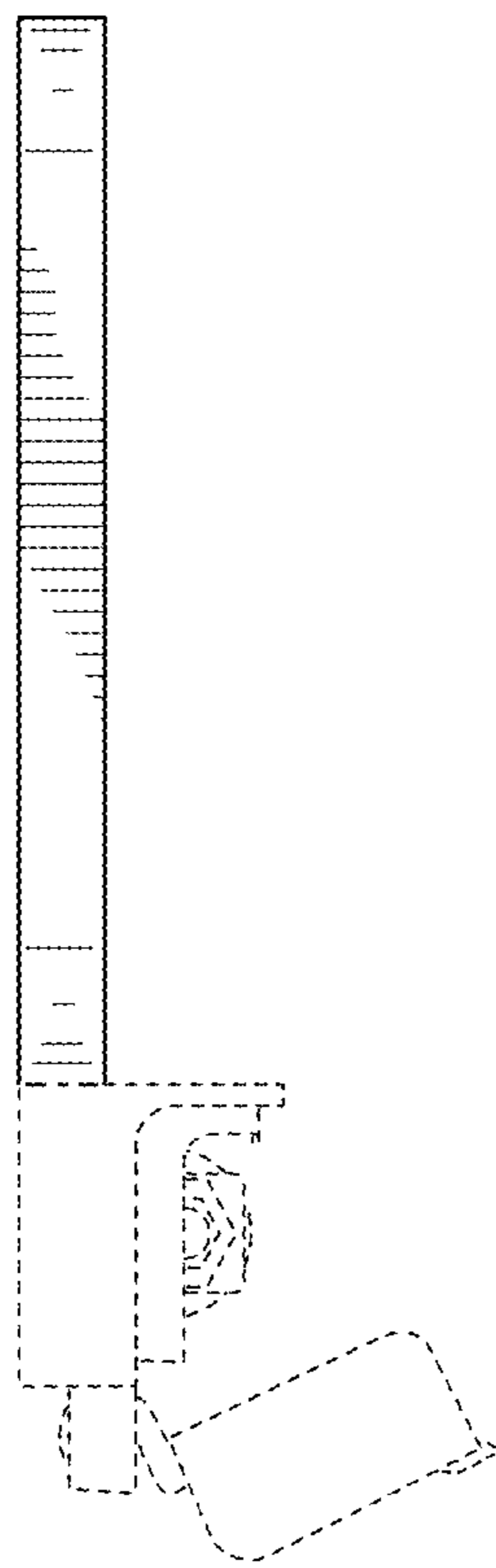


FIG. 4

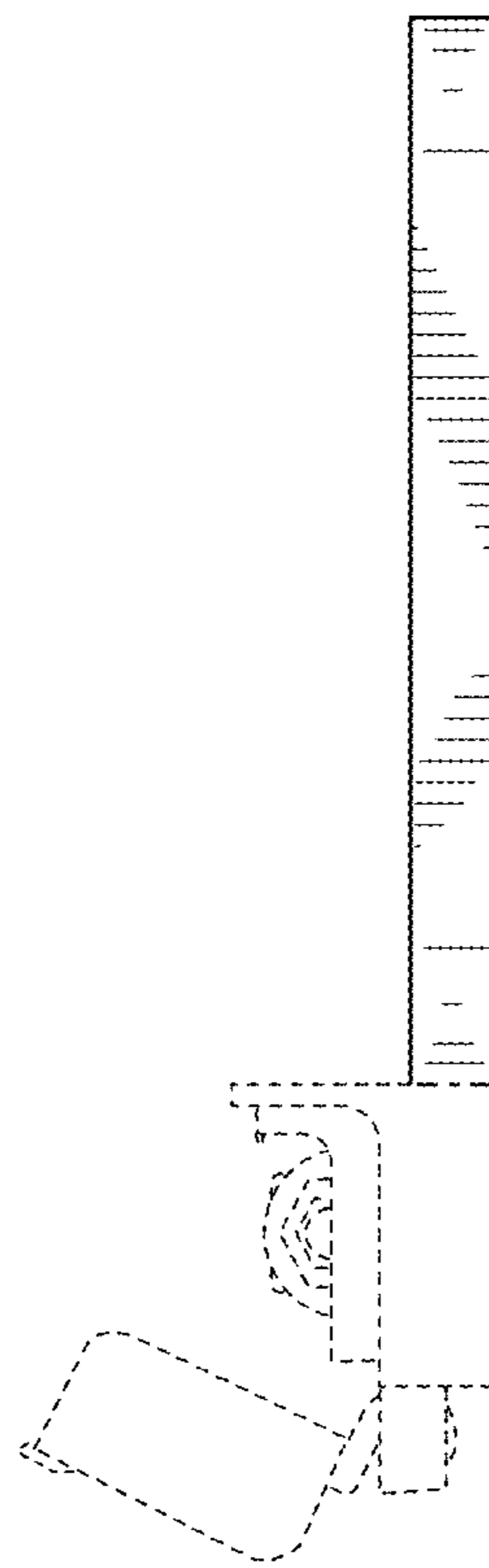


FIG. 5

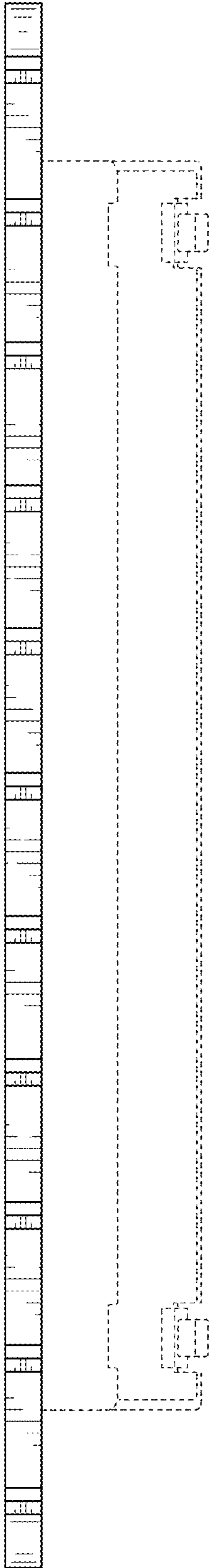


FIG. 6

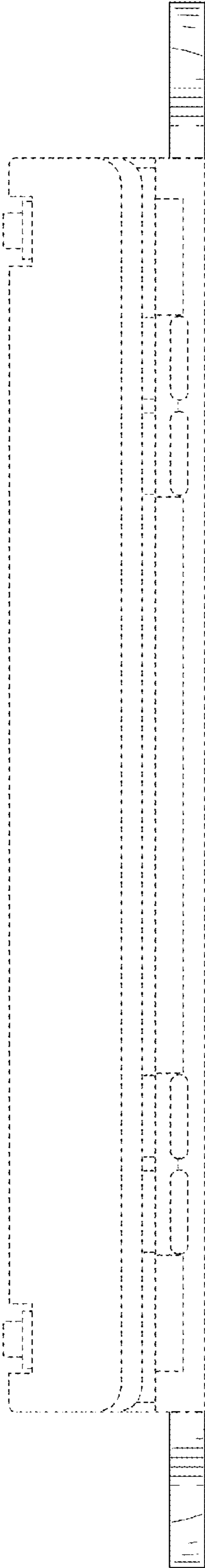


FIG. 7