



US00D734679S

(12) **United States Design Patent**
Liu

(10) **Patent No.:** **US D734,679 S**
(45) **Date of Patent:** **** Jul. 21, 2015**

(54) **INDOOR ENVIRONMENT MONITOR**

(71) Applicant: **iKair Technology**, Beijing (CN)

(72) Inventor: **Jingwei Liu**, Beijing (CN)

(73) Assignee: **iKair Technology** (KY)

(**) Term: **14 Years**

(21) Appl. No.: **29/485,598**

(22) Filed: **Mar. 20, 2014**

(30) **Foreign Application Priority Data**

Dec. 23, 2013 (CN) 2013 3 06439485

(51) **LOC (10) Cl.** **10-04**

(52) **U.S. Cl.**
USPC **D10/53; D23/364**

(58) **Field of Classification Search**
USPC D10/52, 53; D23/355, 364, 365, 378
CPC F24F 11/0017; F24F 2011/0019;
F24F 2011/002; F24F 2011/0021; F24F
2011/0023; F24F 2011/0024; F24F
2011/0026; F24F 2011/0027; F24F
2011/0028; F24F 2011/003; F24F 2011/0031;
F24F 2011/0032; G01N 1/22; G01N 1/2202
See application file for complete search history.

(56) **References Cited**

U.S. PATENT DOCUMENTS

D328,946 S * 8/1992 Havrilla D23/365
D461,004 S * 7/2002 Searle D23/365
D711,257 S * 8/2014 Sargent et al. D10/52
8,800,361 B1 * 8/2014 Johnston 73/170.16
D716,427 S * 10/2014 Lim et al. D23/364
2007/0221061 A1 * 9/2007 Steiner et al. 96/63

2010/0050750 A1 * 3/2010 Saaski et al. 73/61.75
2011/0277679 A1 * 11/2011 Good et al. 116/202
2014/0216259 A1 * 8/2014 Iwaki 96/19

* cited by examiner

Primary Examiner — Antoine D Davis

(74) *Attorney, Agent, or Firm* — Synthesis Intellectual Property, LLC

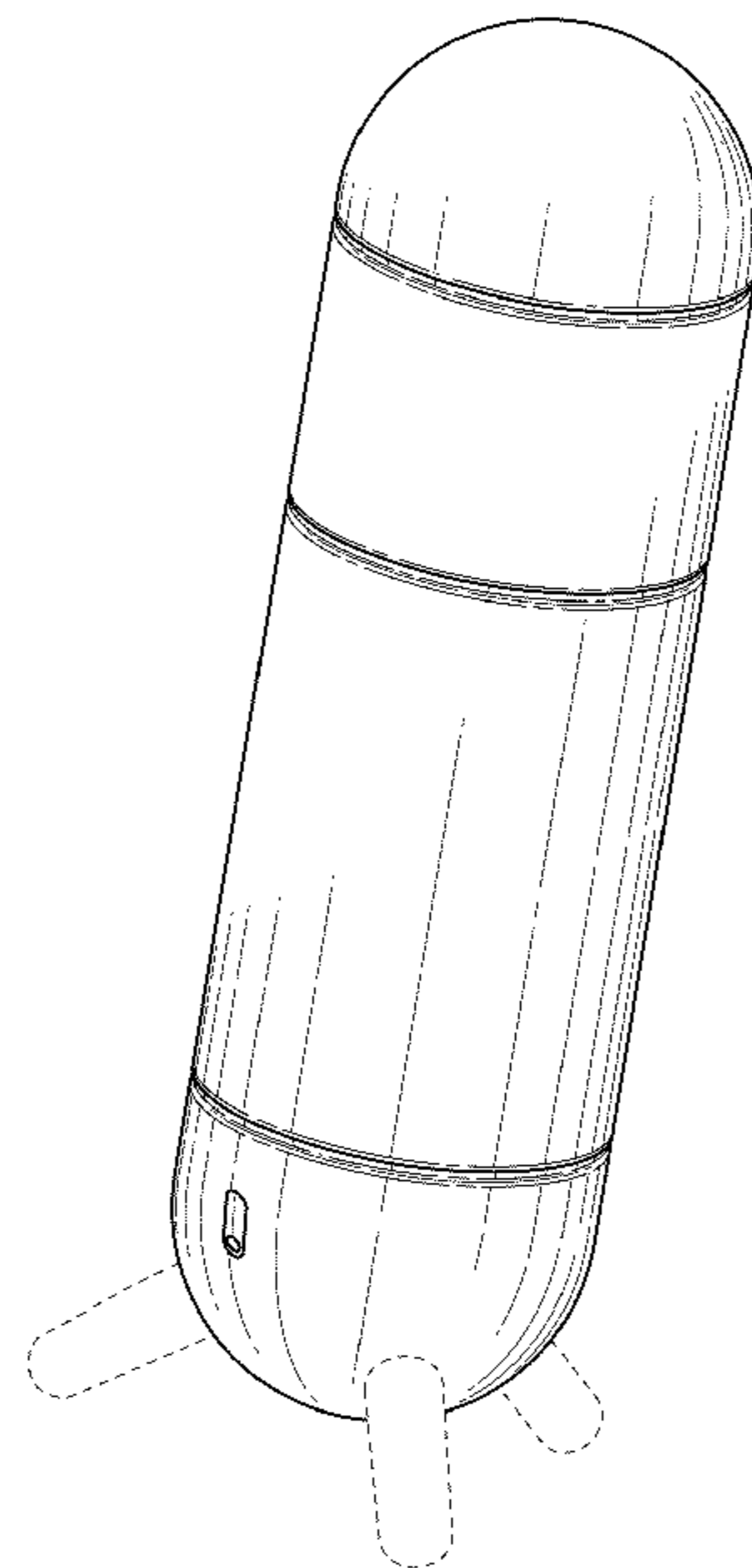
(57) **CLAIM**

The ornamental design for an indoor environmental monitor, as shown and described.

DESCRIPTION

FIG. 1 is a perspective view of a design for an indoor environment monitor;
FIG. 2 is an alternative embodiment of the indoor environment monitor shown in FIG. 2;
FIGS. 3-6 are side views of the indoor environment monitor shown in FIG. 1;
FIG. 7 is a top side view of the indoor environment monitor shown in FIGS. 1-2 and 10-12;
FIG. 8 is a bottom view of the indoor environment monitor shown in FIGS. 1-2 and 10-12;
FIG. 9 is an exploded view of the indoor environment monitor shown in FIG. 1; and,
FIGS. 10-12 are alternative embodiments of the indoor environment monitor shown in FIG. 1.
The broken lines in FIGS. 1-12 show an example of legs/supports for the indoor environment monitor. The broken line in the center of FIG. 8 show an example of an ornamental design for an air intake port of the indoor environment monitor. The broken lines in FIG. 9 show attachments for the base, cylindrical sections, and top as well as the axial relationship of the sections.

1 Claim, 7 Drawing Sheets



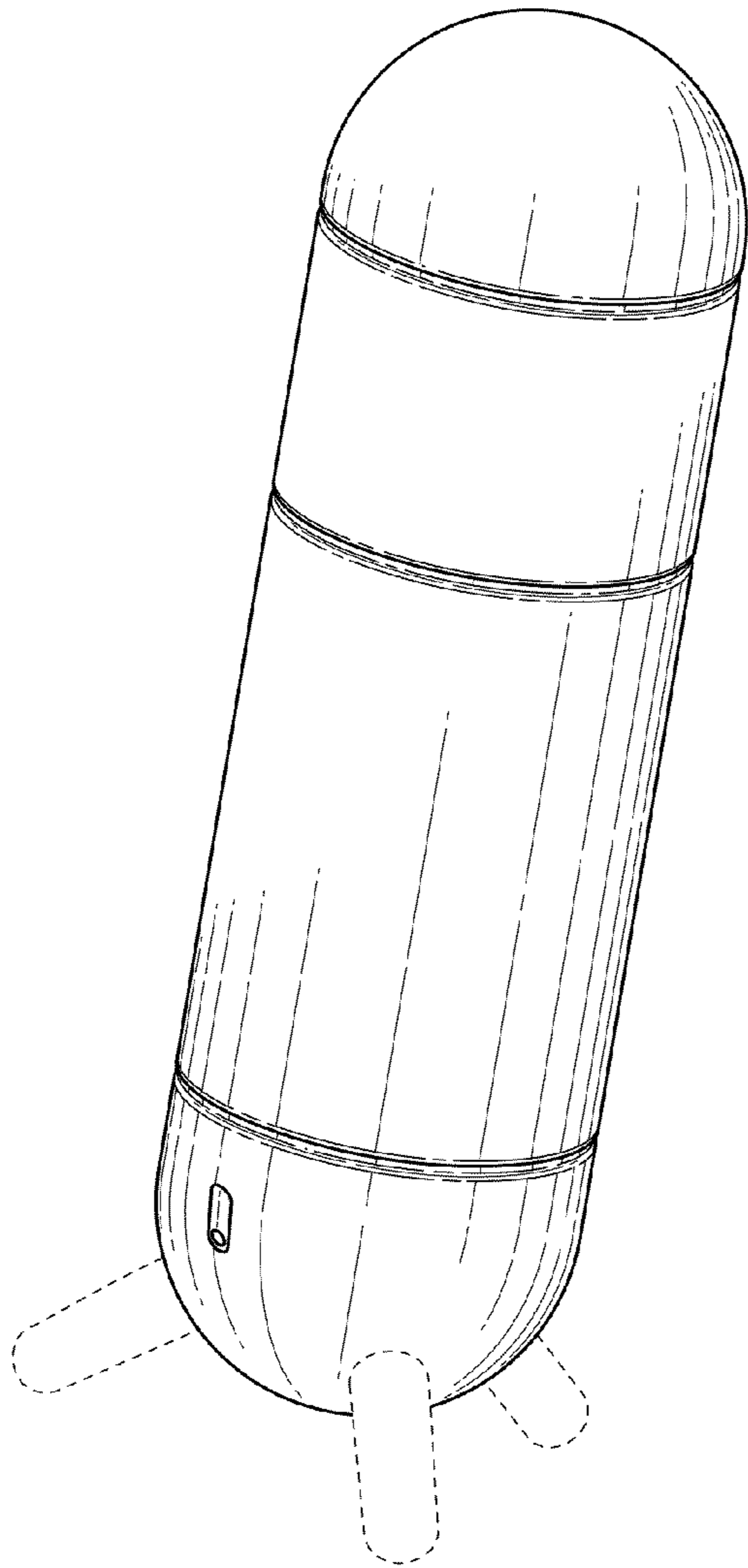


FIG. 1

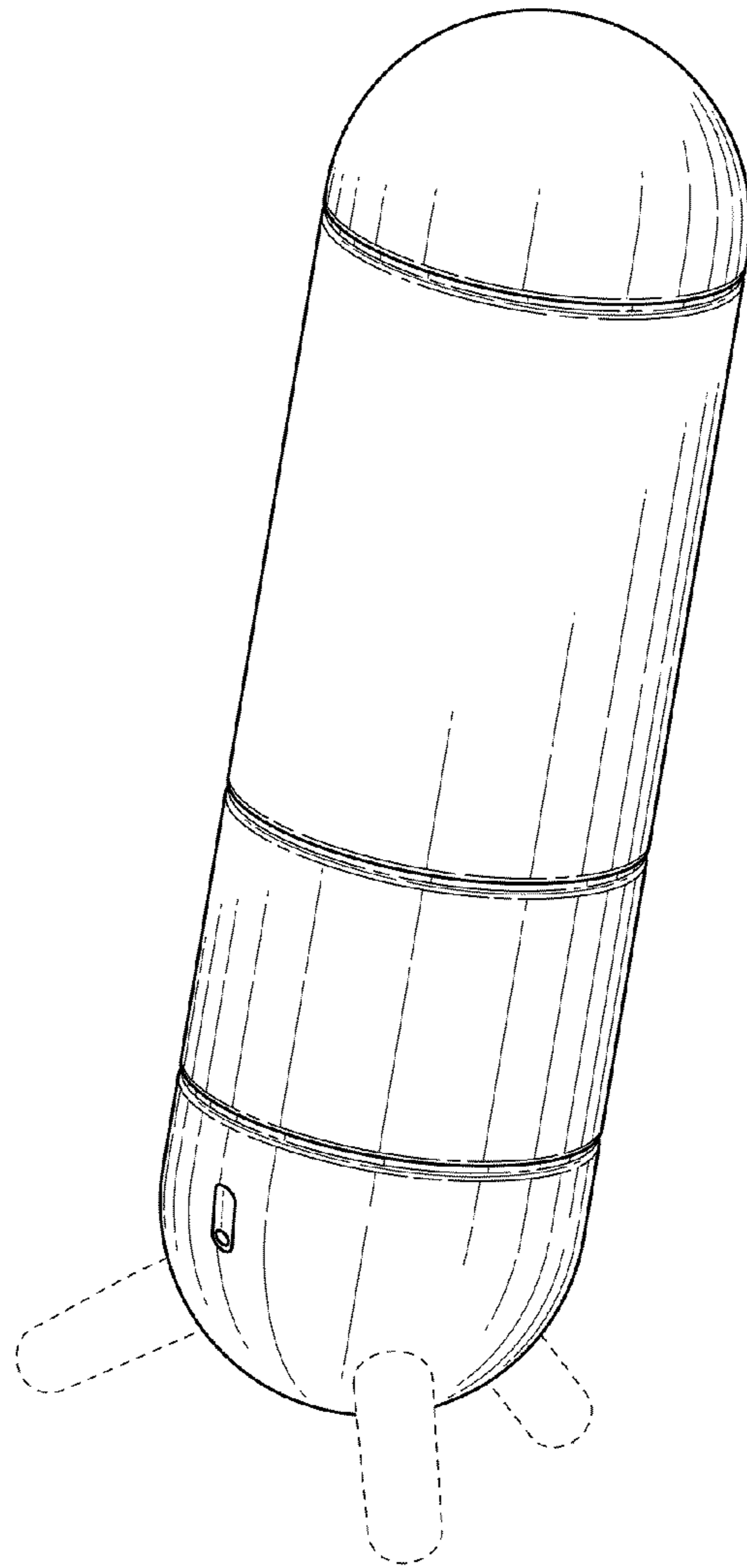


FIG. 2

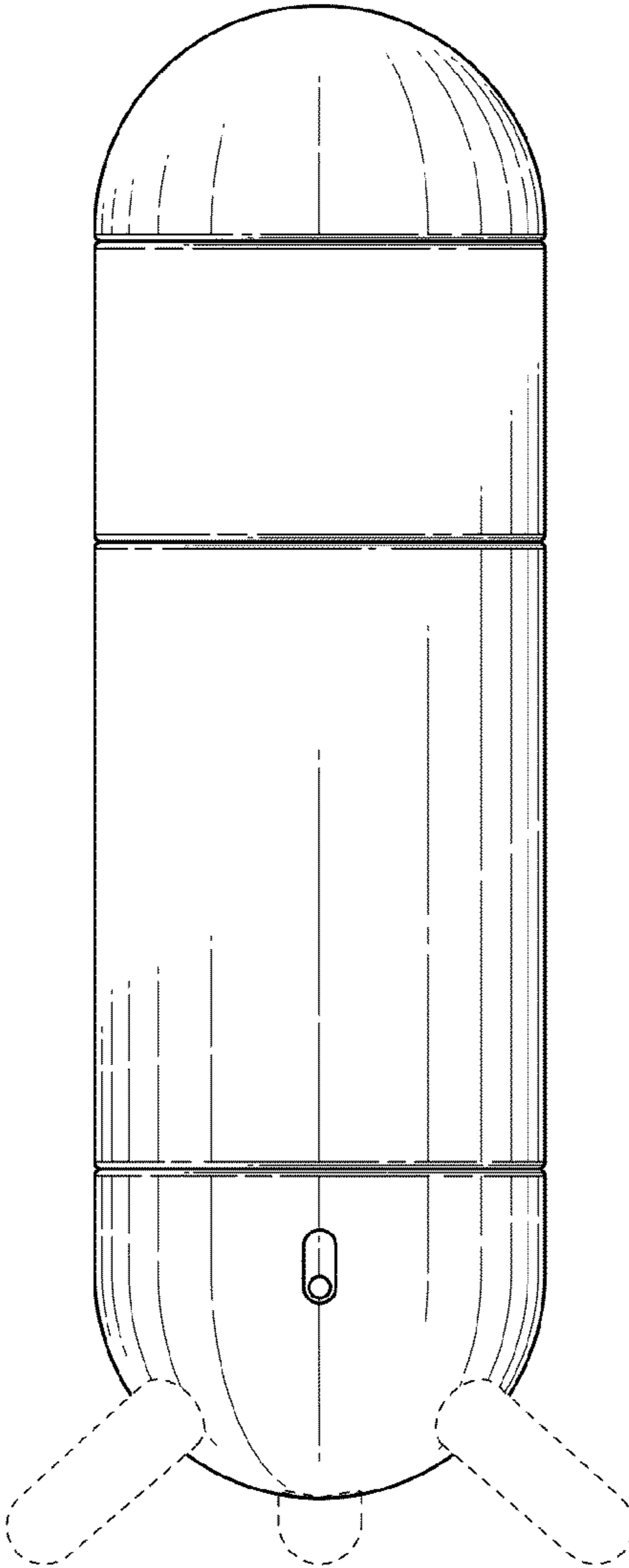


FIG. 3

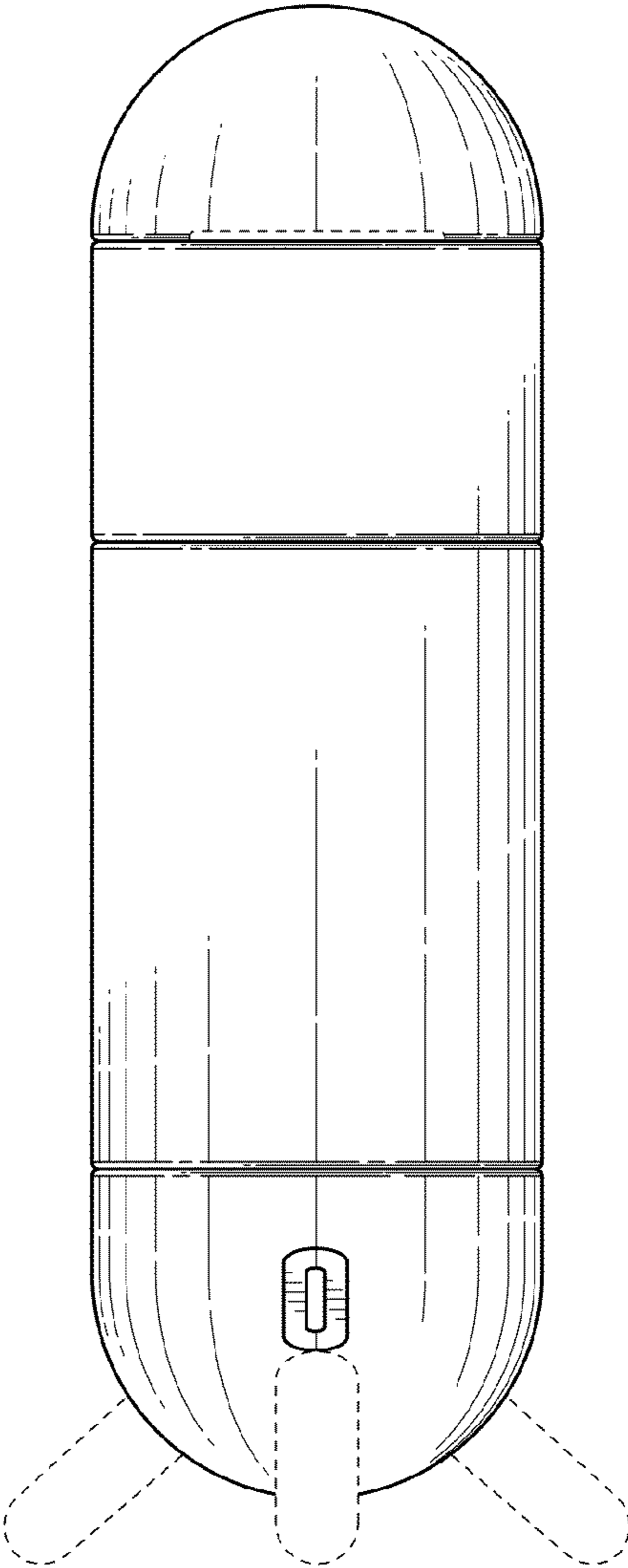


FIG. 4

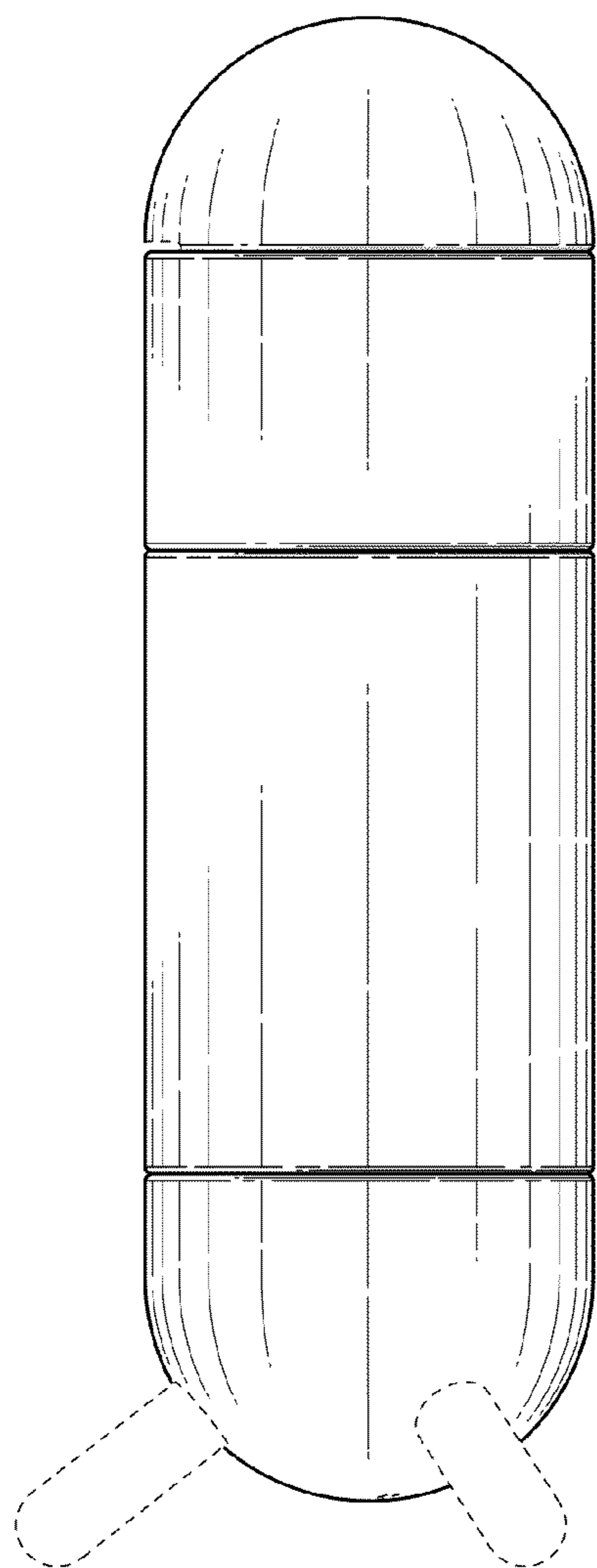


FIG. 5



FIG. 6

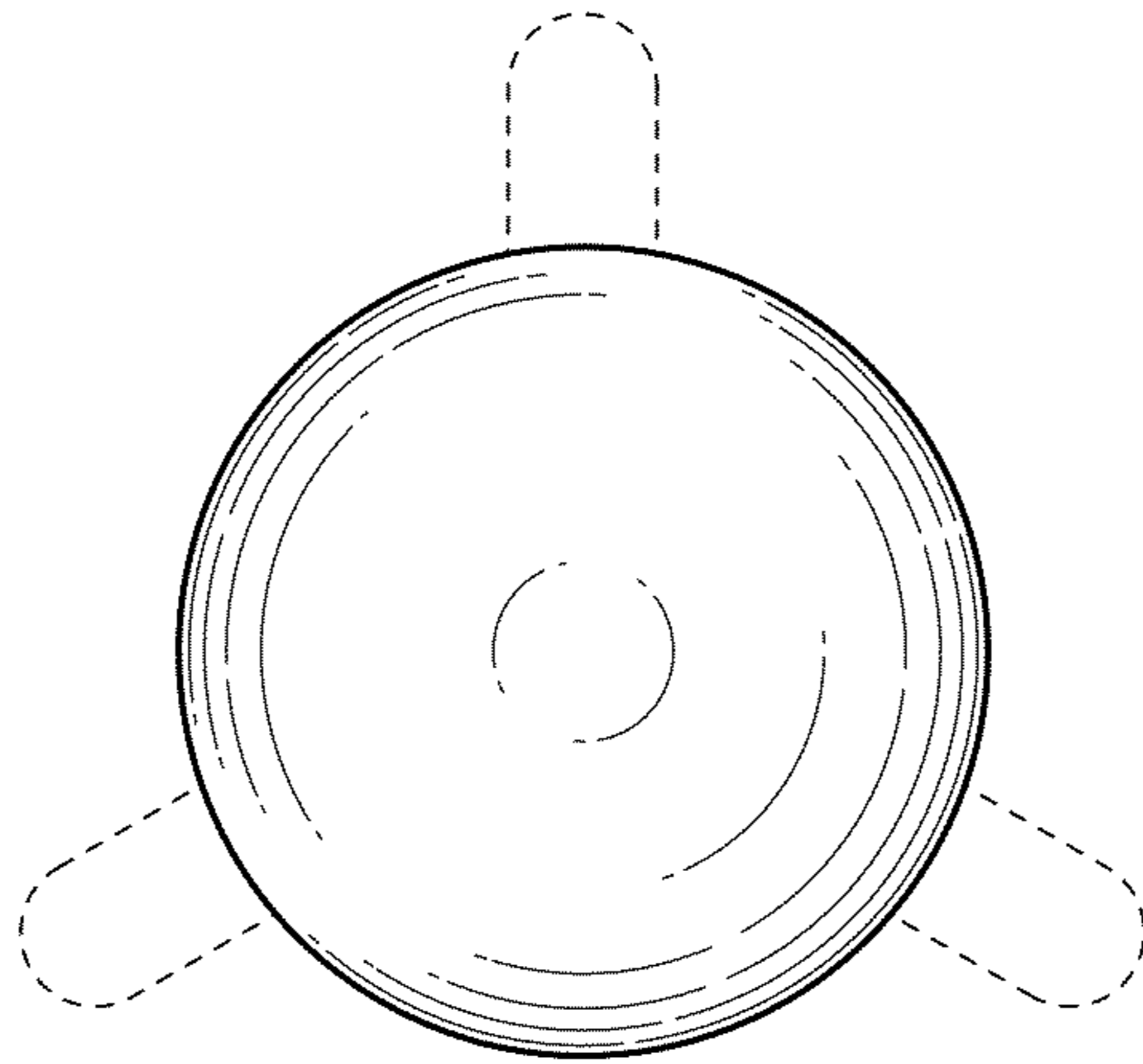


FIG. 7

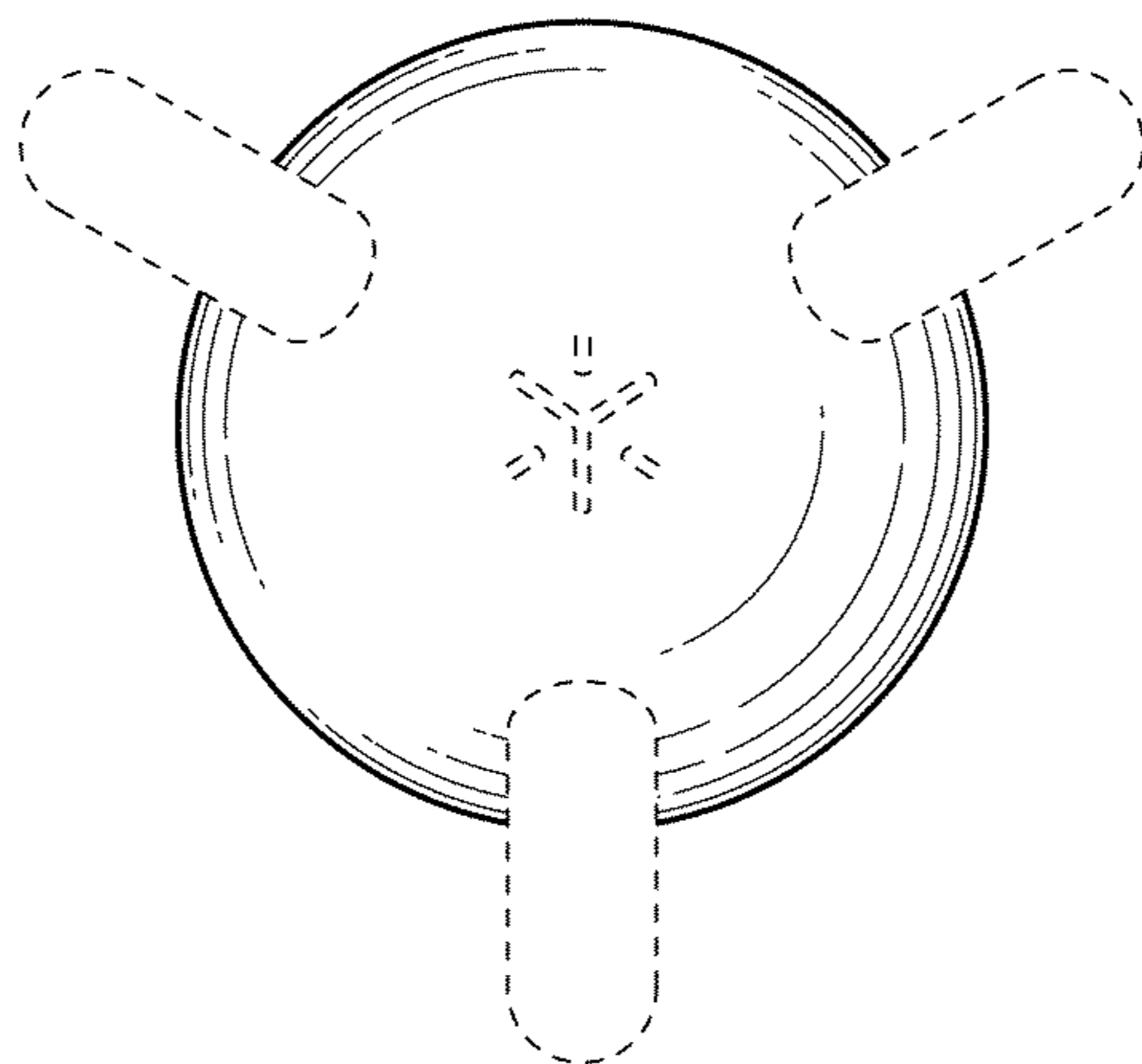


FIG. 8

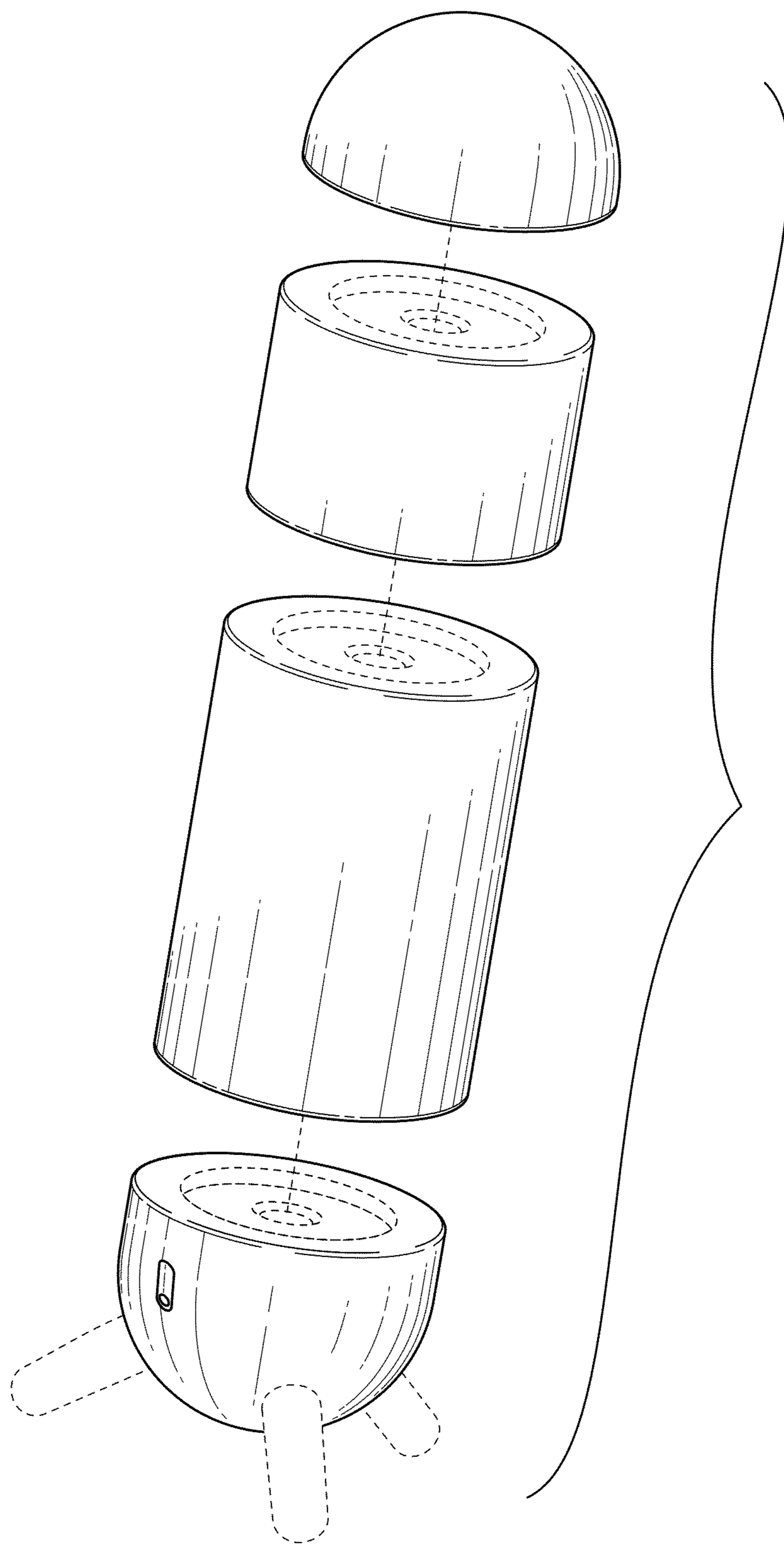


FIG. 9

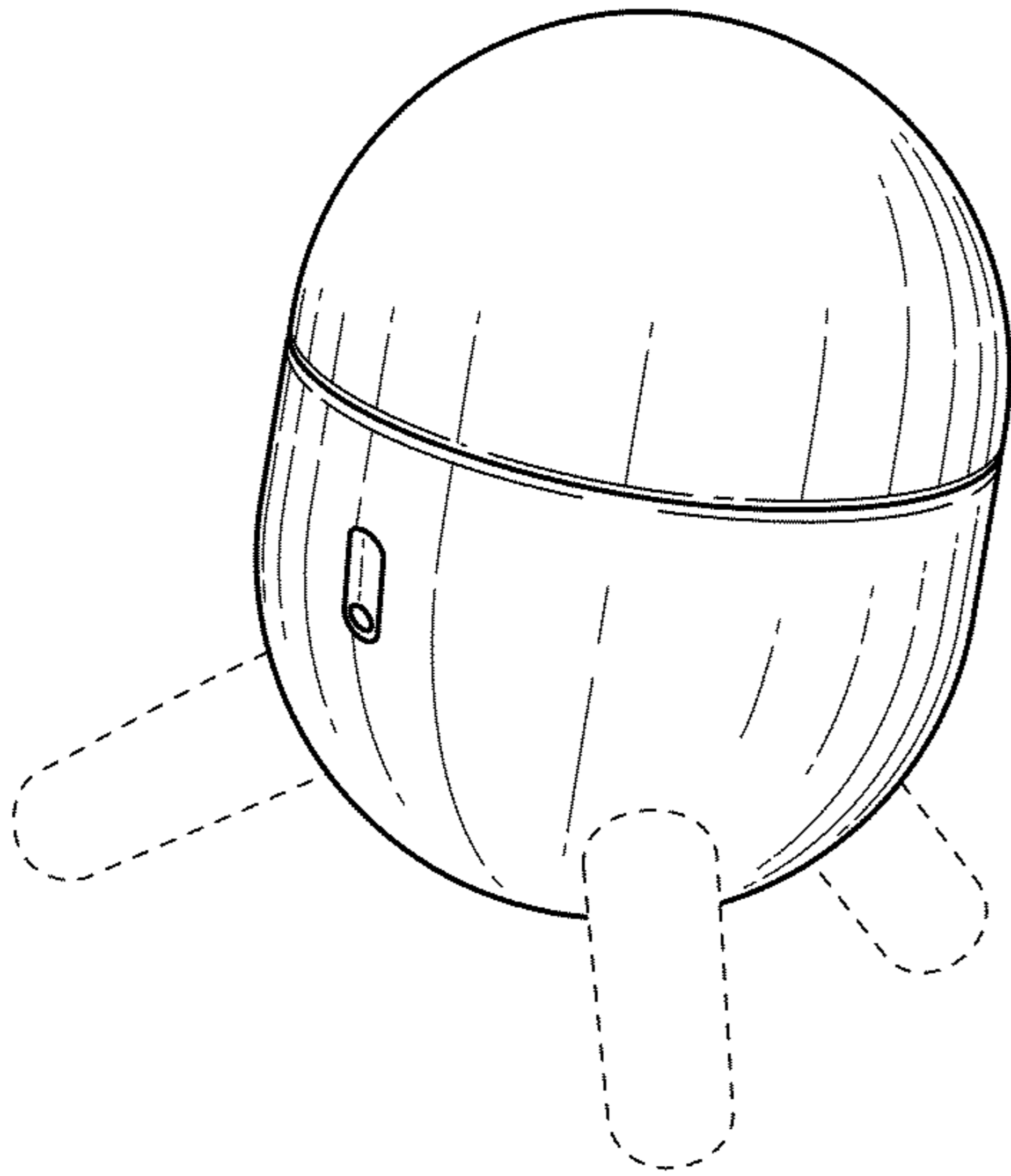


FIG. 10

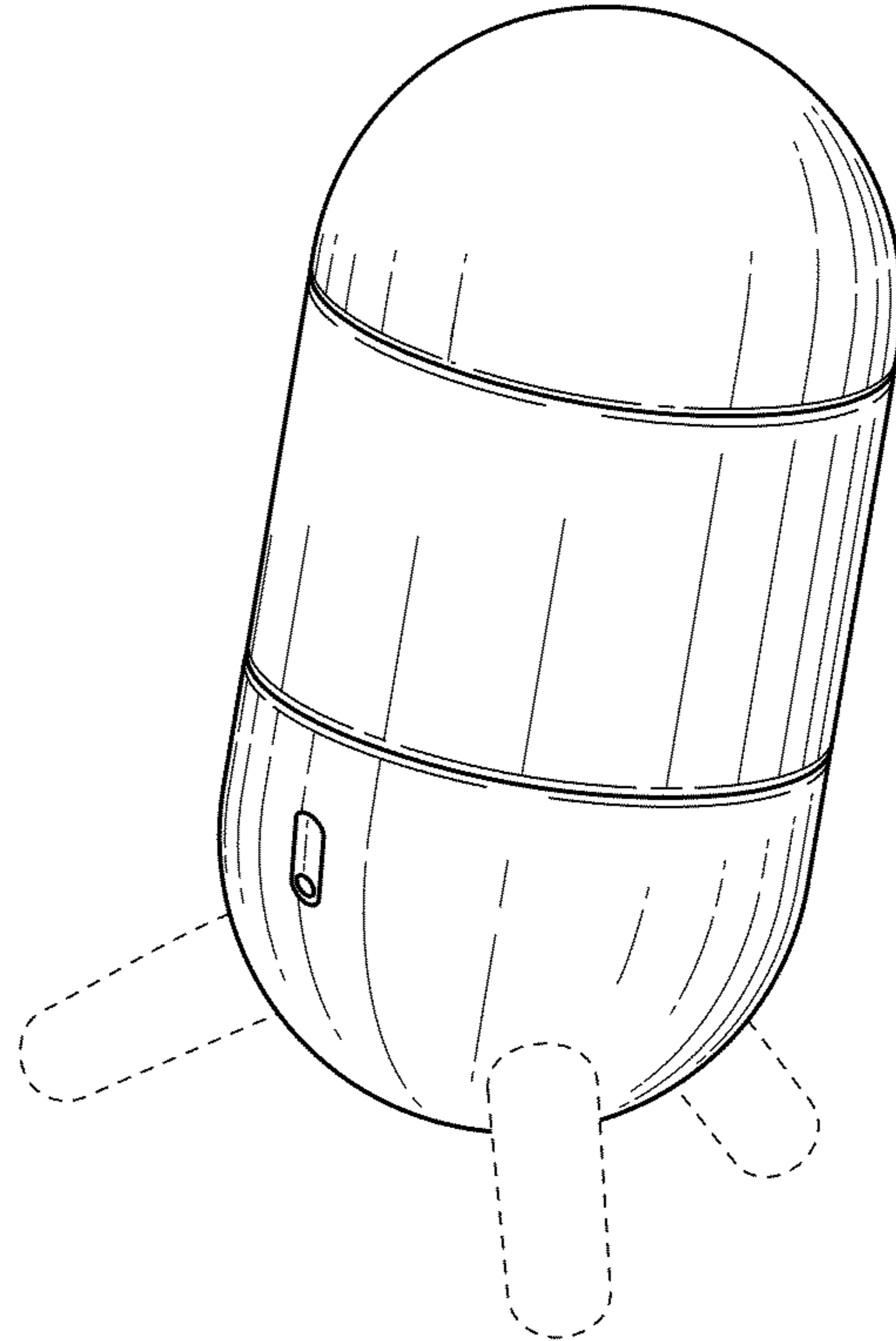


FIG. 11

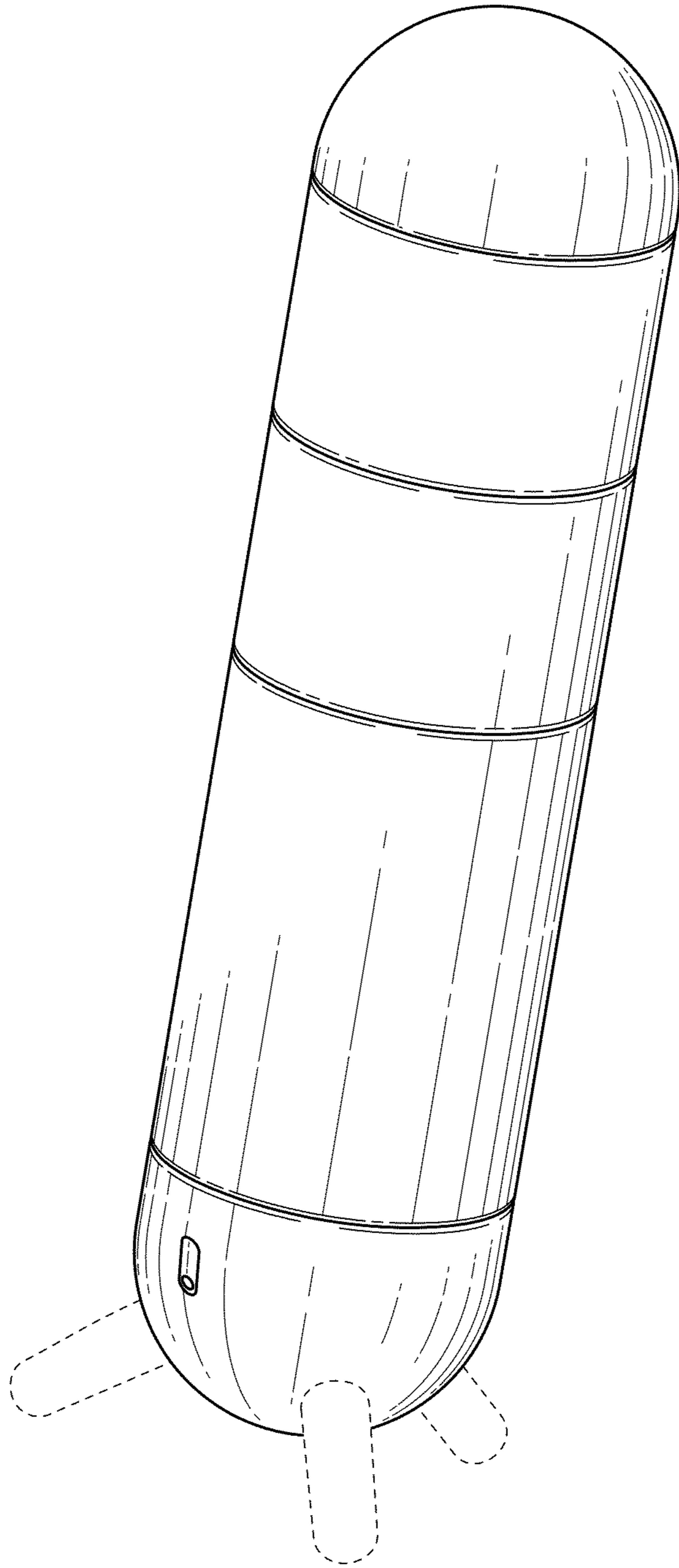


FIG. 12