



US00D734677S

(12) **United States Design Patent**
Ruffieux et al.

(10) **Patent No.:** **US D734,677 S**
(45) **Date of Patent:** **** Jul. 21, 2015**

(54) **WATCH CASE**

(71) Applicant: **MONTBLANC-SIMPLO GMBH**,
Hamburg (DE)

(72) Inventors: **Leila Ruffieux**, Neuchatel (CH); **Valerie Antifora**, La Chaux-de-Fonds (CH);
Paulo Carvalho, Courtetelle (CH)

(73) Assignee: **Montblanc-Simplo GmbH**, Hamburg
(DE)

(**) Term: **14 Years**

(21) Appl. No.: **29/496,932**

(22) Filed: **Jul. 18, 2014**

(30) **Foreign Application Priority Data**

Jan. 20, 2014 (WO) DM/082 659

(51) **LOC (10) Cl.** **10-02**

(52) **U.S. Cl.**
USPC **D10/38**

(58) **Field of Classification Search**
USPC D10/30-39; 368/276, 281, 282
CPC G04B 37/00; G04B 37/0008; G04B
37/0058; G04B 45/00; G04B 45/0069
See application file for complete search history.

(56) **References Cited**

U.S. PATENT DOCUMENTS

3,740,944 A * 6/1973 Chopard 368/281
3,901,023 A * 8/1975 Uebelhardt 368/281
D251,055 S * 2/1979 Sulek D10/38
D410,852 S * 6/1999 Riley D10/30

6,570,823 B1 * 5/2003 Gilomen et al. 368/113
D536,628 S * 2/2007 Roth D10/38
D538,182 S * 3/2007 Lalo D10/32
D569,276 S * 5/2008 Scheufele D10/39
D578,902 S * 10/2008 Hoshino D10/38
D590,727 S * 4/2009 Wei D10/38
D624,443 S * 9/2010 Cerrato D10/38
D645,766 S * 9/2011 Bertucci D10/38
D655,630 S * 3/2012 Behling D10/38
8,366,313 B2 * 2/2013 Scioscia 368/286
D684,486 S * 6/2013 Messmer et al. D10/39
D690,611 S * 10/2013 Inoue D10/39
D701,465 S * 3/2014 Ganz D10/38

* cited by examiner

Primary Examiner — Lucy Lieberman

(74) *Attorney, Agent, or Firm* — Taft Stettinius & Hollister
LLP

(57) **CLAIM**

The ornamental design for a watch case, as shown and described.

DESCRIPTION

FIG. 1 is a front elevation of a watch case showing our new design.

FIG. 2 is a top view of the watch case of FIG. 1.

FIG. 3 is a left-side view of the watch case of FIG. 1.

FIG. 4 is a right-side view of the watch case of FIG. 1.

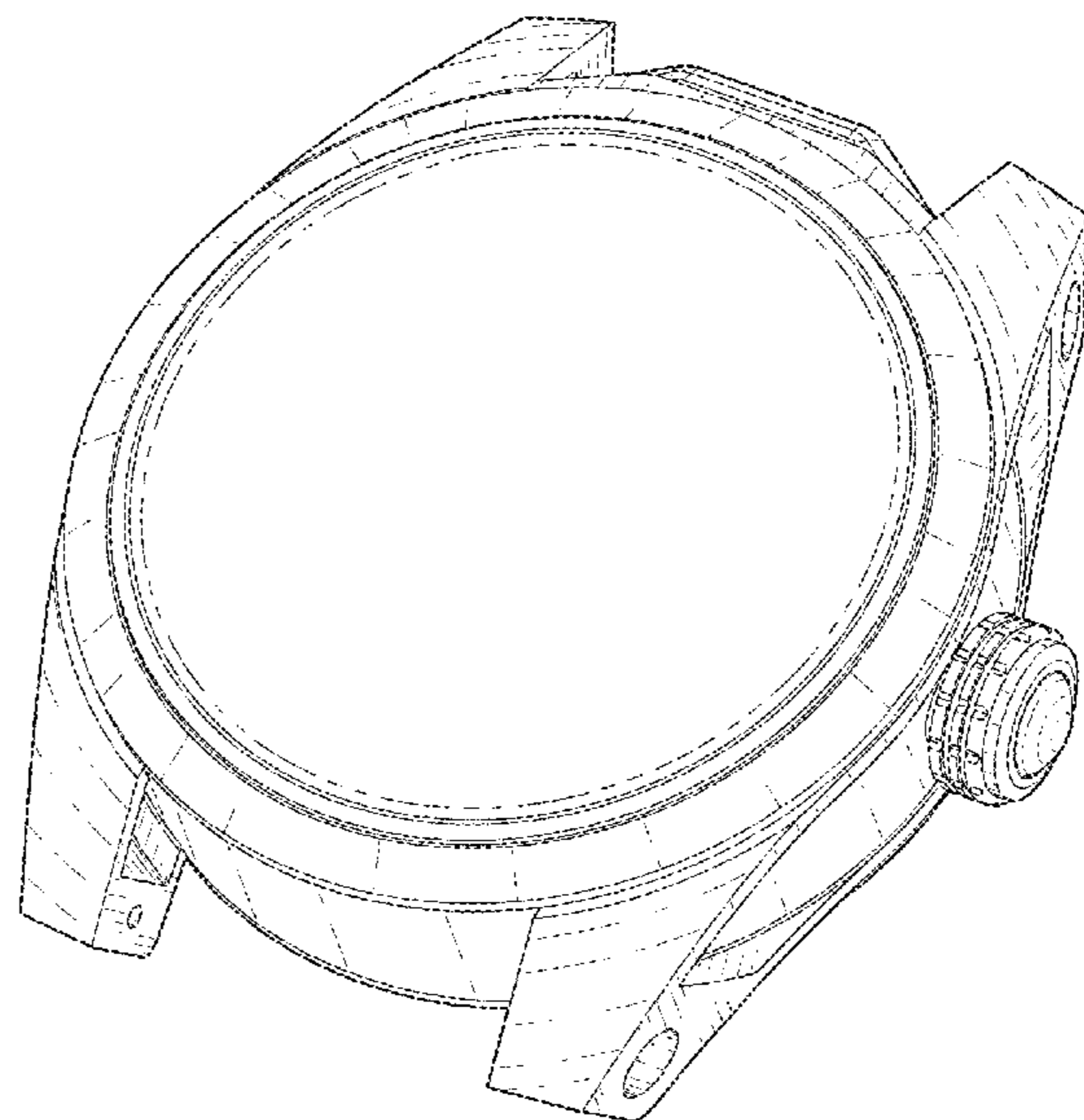
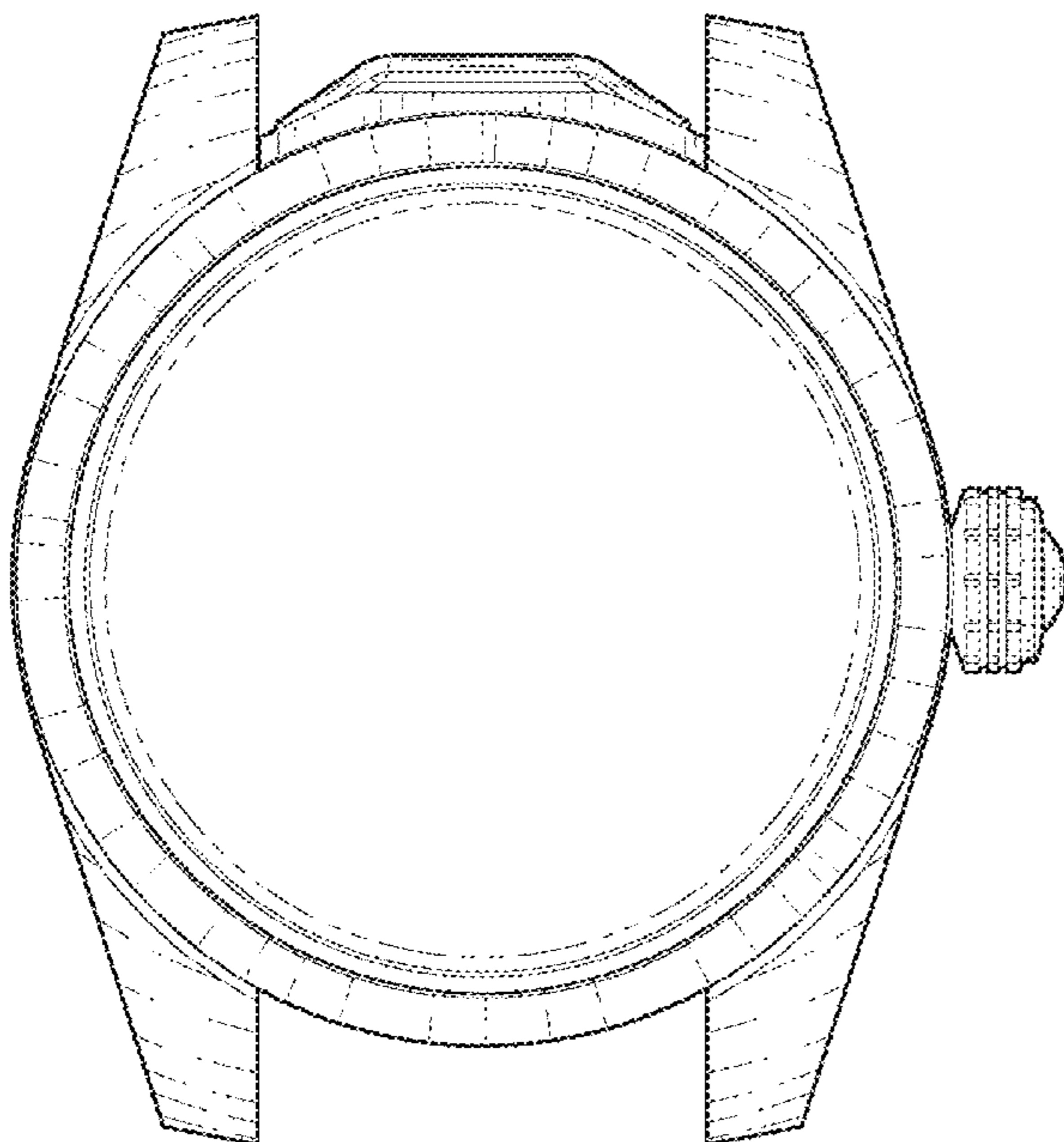
FIG. 5 is a back view of the watch case of FIG. 1.

FIG. 6 is a bottom view of the watch case of FIG. 1; and,

FIG. 7 is front, right-side perspective view of the watch case of FIG. 1.

The broken lines in the drawings are used to show portions of the watch case that do not form part of the claimed design.

1 Claim, 4 Drawing Sheets



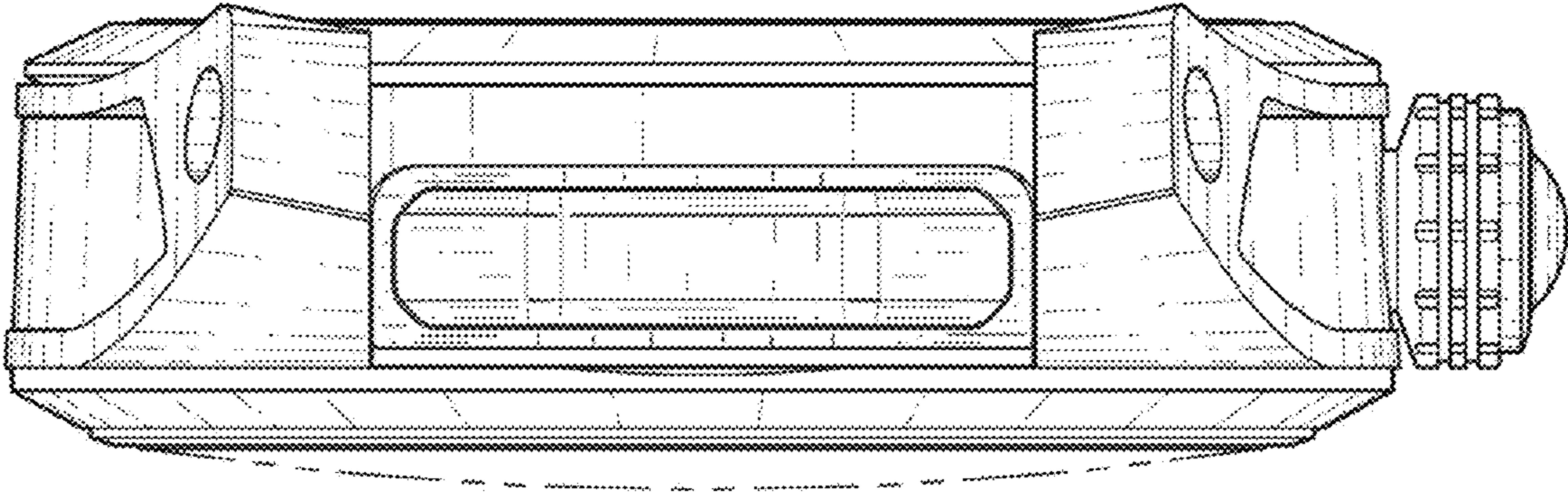


Fig. 2

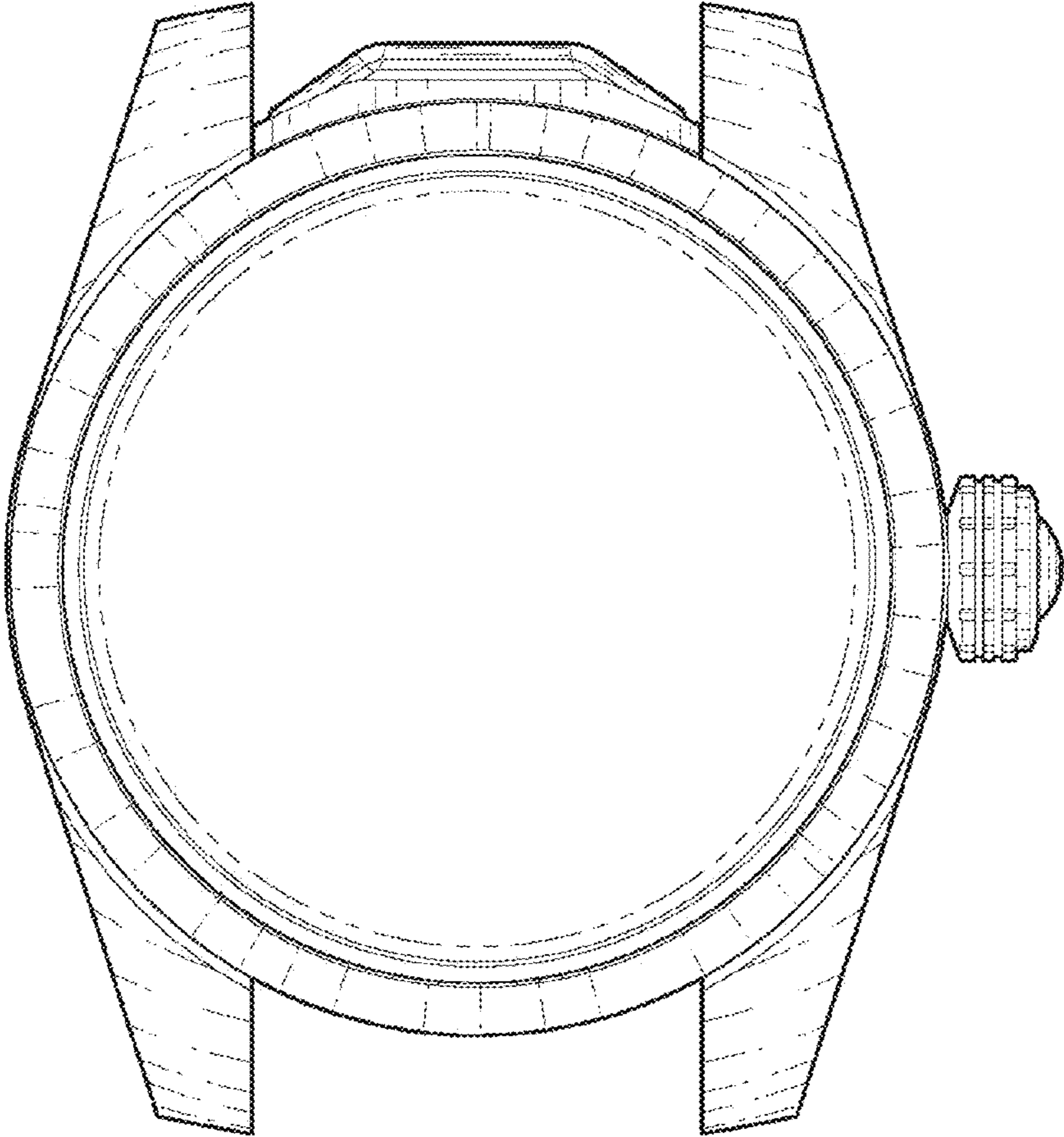


Fig. 1

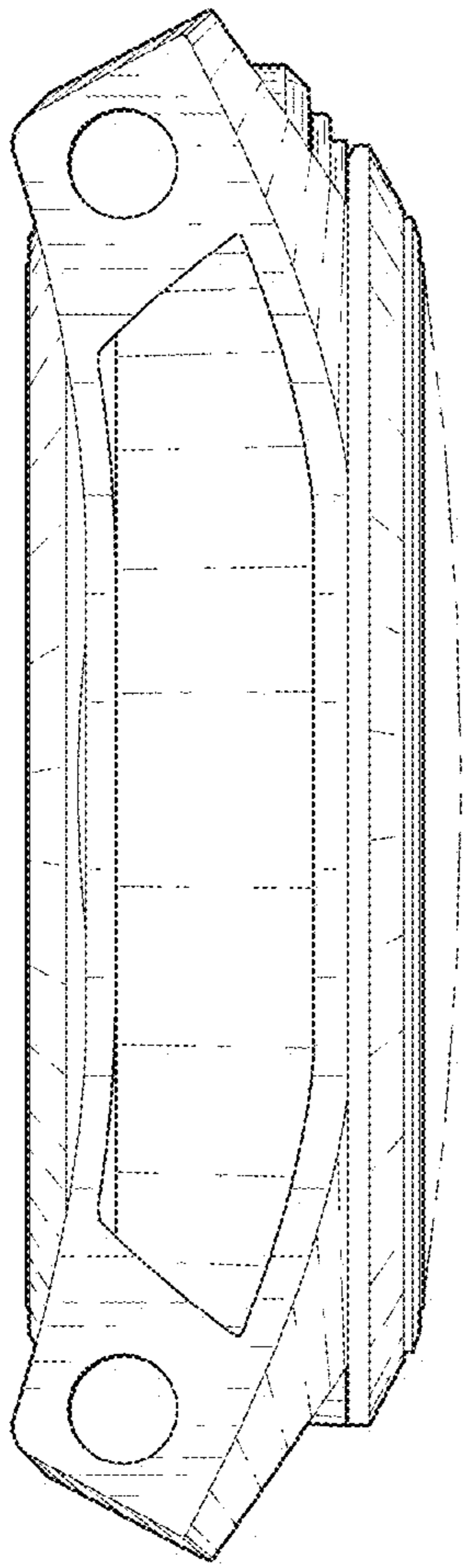


Fig. 4

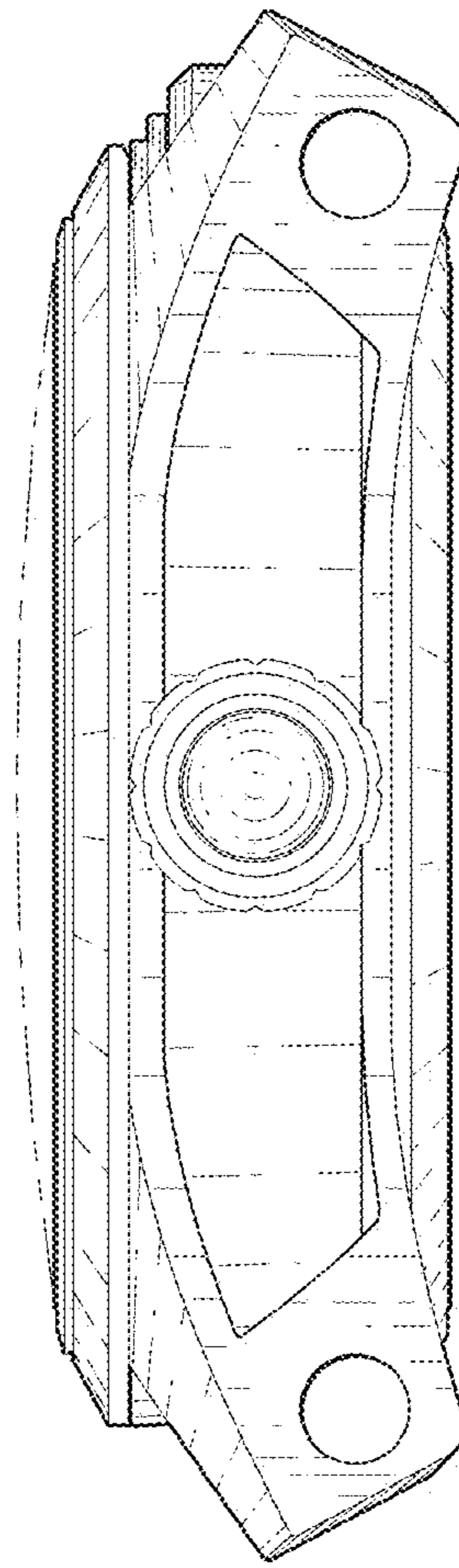


Fig. 3

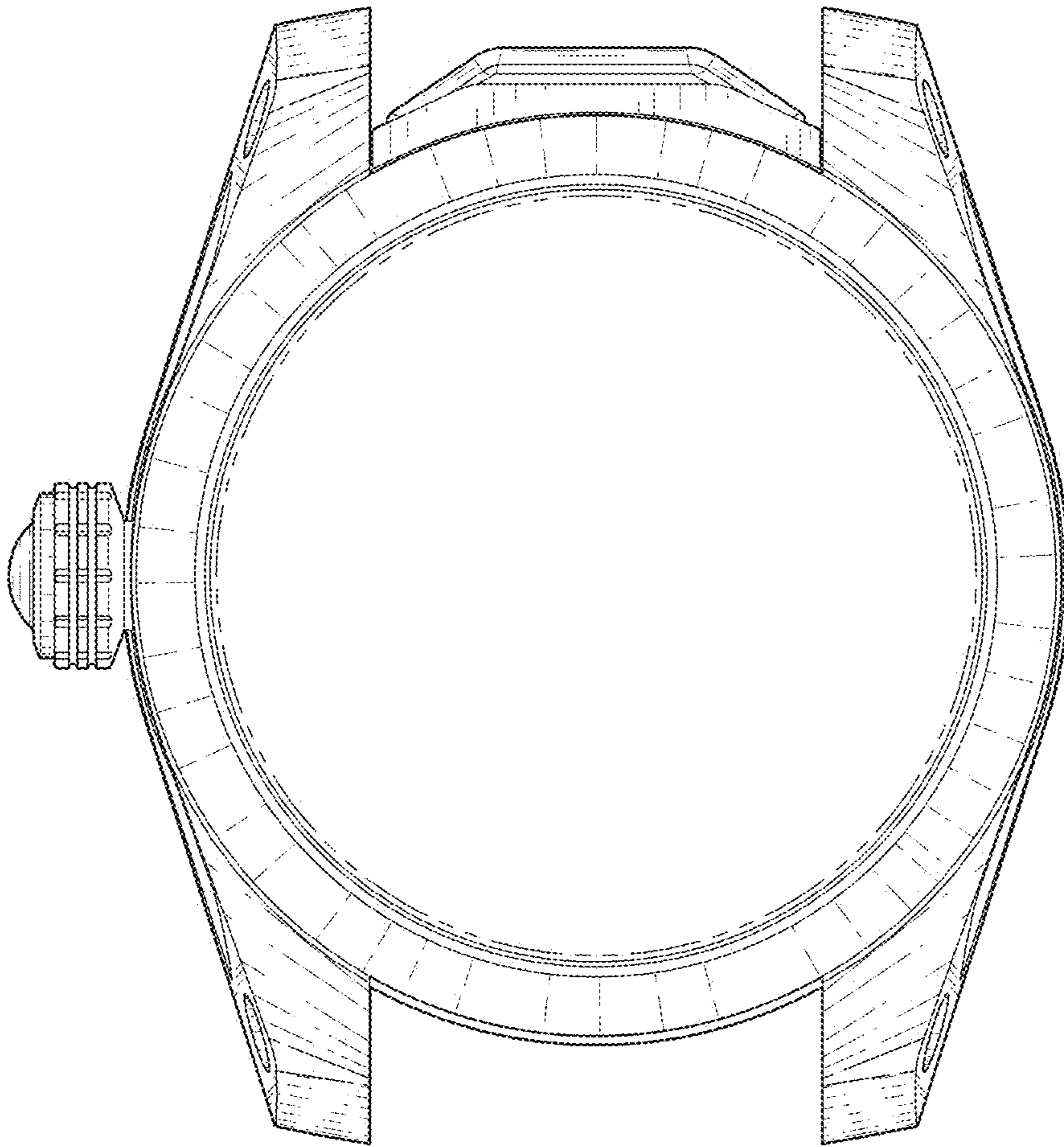


Fig. 5

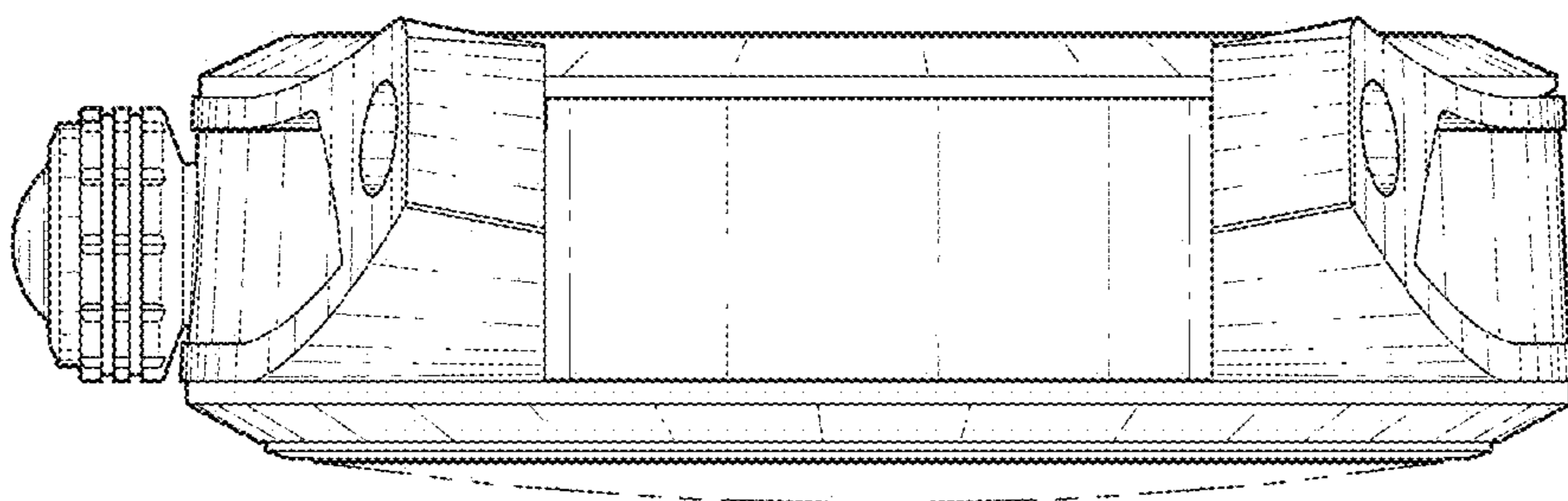


Fig. 6

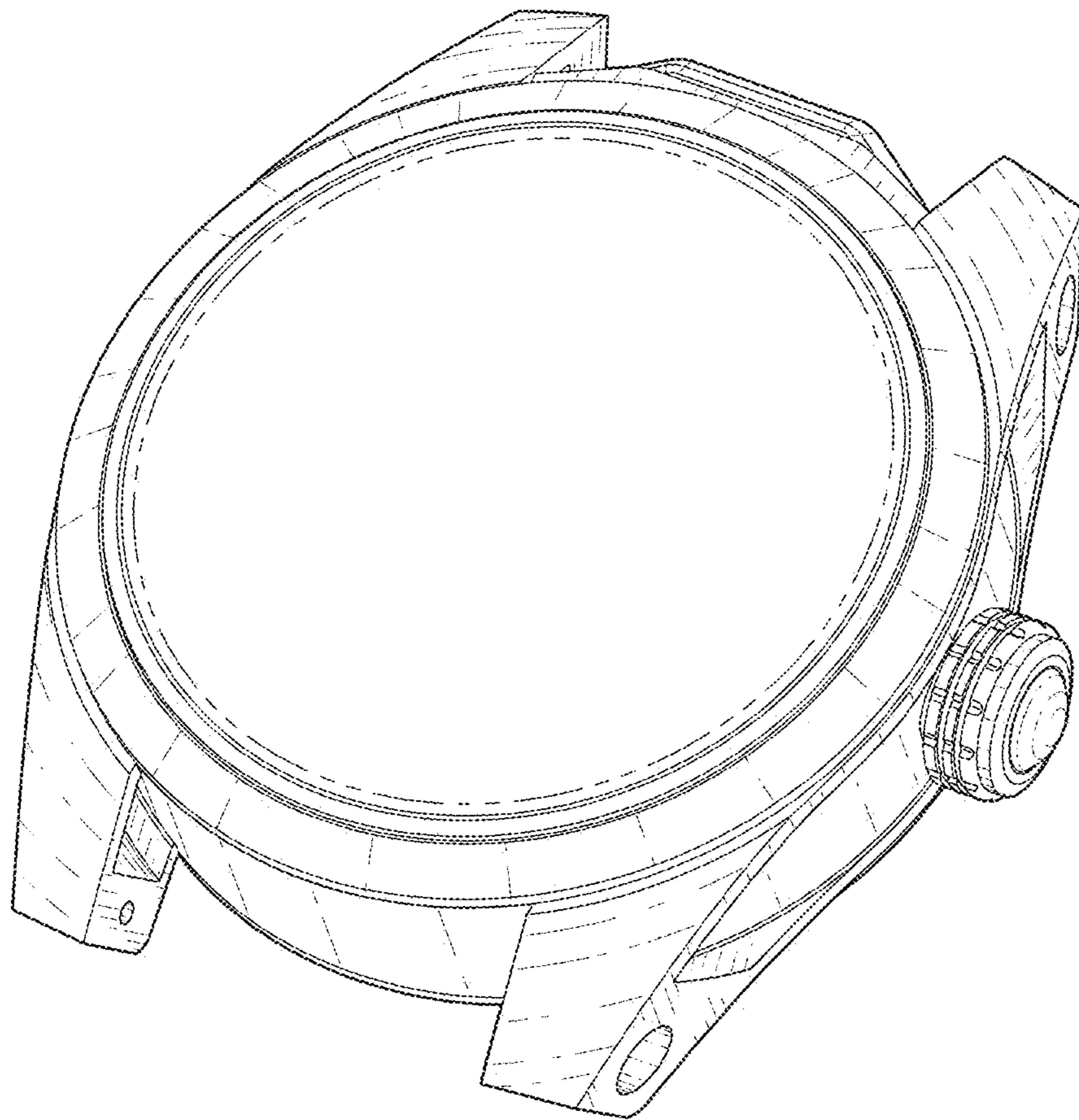


Fig. 7