



US00D734672S

(12) **United States Design Patent**
Laupie et al.

(10) **Patent No.:** **US D734,672 S**
(45) **Date of Patent:** **** Jul. 21, 2015**

(54) **BOTTLE**
(71) Applicant: **Societe des Produits Nestle S.A., Vevey**
(CH)
(72) Inventors: **Marc Laupie, Beijing (CN); Renee**
Tang, Beijing (CN); Nicolas Dabrowski,
Vittel (FR)
(73) Assignee: **Societe des Produits Nestle S.A., Vevey**
(CH)

D489,619 S * 5/2004 Henderson Goodell
et al. D9/500
D489,620 S * 5/2004 Goodell et al. D9/503
D491,809 S * 6/2004 Silvers et al. D9/500
D541,157 S * 4/2007 Samartgis D9/502
D568,747 S * 5/2008 Sequeira D9/500
D626,840 S * 11/2010 Hall D9/500
8,505,758 B2 * 8/2013 Oshino 215/382
D696,585 S * 12/2013 Manne et al. D9/500
D709,377 S * 7/2014 Kondo D9/520
D714,649 S * 10/2014 Boon D9/538

(**) Term: **14 Years**

<http://bakkersbites.com/tag/smoovlatte/> Posted Mar. 7, 2012.*
<http://hkcosme.com/meling/2010/10/08/63263/> Posted Oct. 8,
2010.*

(21) Appl. No.: **29/459,789**

* cited by examiner

(22) Filed: **Jul. 3, 2013**

(51) **LOC (10) Cl.** **09-01**

Primary Examiner — Susan Bennett Hattan

(52) **U.S. Cl.**

Assistant Examiner — Leanne Was

USPC **D9/551**

(74) *Attorney, Agent, or Firm* — K&L Gates LLP

(58) **Field of Classification Search**

USPC D7/300, 302, 305, 317, 321, 500, 507,
D7/509, 510, 511, 523, 528, 532, 538, 540,
D7/543, 560, 565, 584, 591, 597, 601, 602,
D7/608, 619.1, 622, 629, 630; D9/500,
D9/502, 503, 516, 519, 530, 537, 538, 539,
D9/541, 542, 543, 545, 546, 549, 551, 556,
D9/557, 558, 559, 564, 569, 570, 715, 719,
D9/738, 751; 215/381–384, 396, 398, 400;
220/660, 669, 675; 222/210, 212, 213

See application file for complete search history.

(57) **CLAIM**

The ornamental design for a bottle, as shown and described.

DESCRIPTION

FIG. 1 illustrates a top perspective view of a bottle according to the present invention;
FIG. 2 illustrates a front side elevational view thereof;
FIG. 3 illustrates a back side elevational view thereof;
FIG. 4 illustrates a right side elevational view thereof;
FIG. 5 illustrates a left side elevational view thereof; and,
FIG. 6 illustrates a top plan view thereof.

The ornamental design that is claimed is shown in solid lines in the drawings. Any broken lines in the drawings depict environmental subject matter only and form no part of the claimed design.

(56) **References Cited**

U.S. PATENT DOCUMENTS

1,017,161 A * 2/1912 Mulder 215/380
D99,763 S * 5/1936 Sansby D9/500
D247,471 S * 3/1978 Strand D9/500
D467,503 S * 12/2002 Silvers et al. D9/502
D477,230 S * 7/2003 Takaichi D9/538

1 Claim, 6 Drawing Sheets

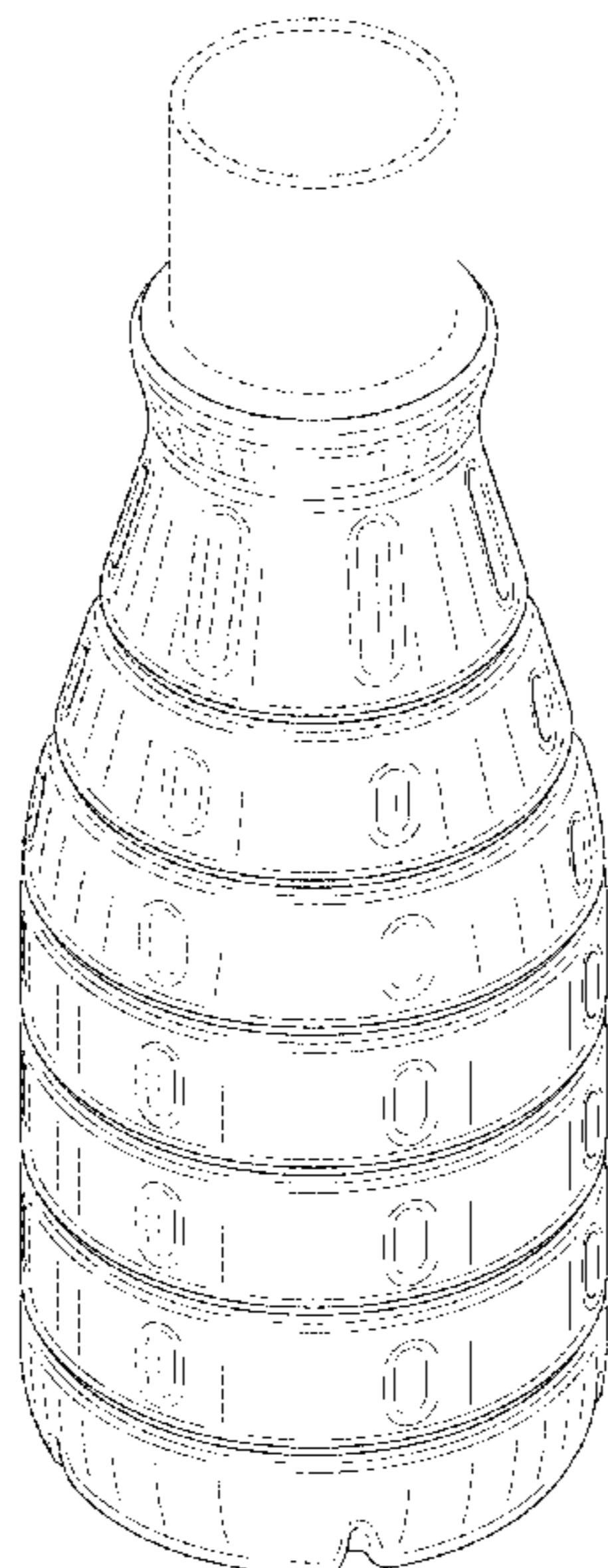


FIG. 1

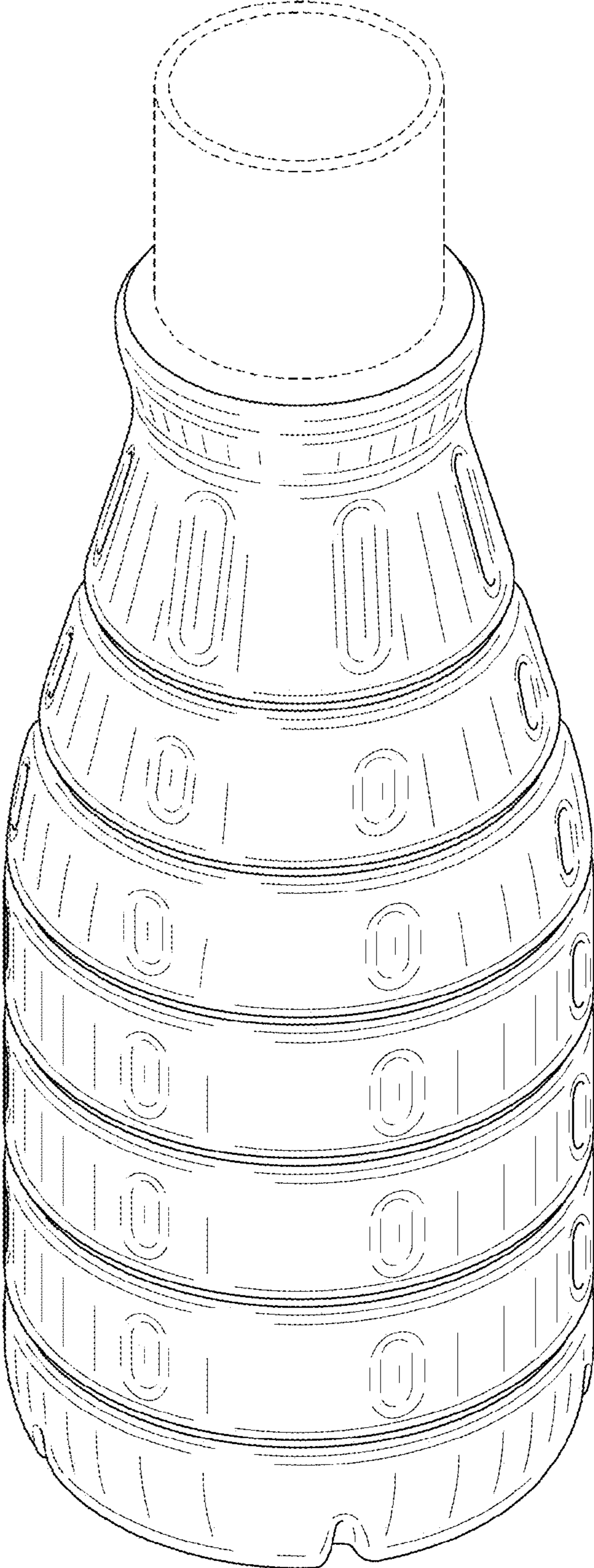


FIG. 2

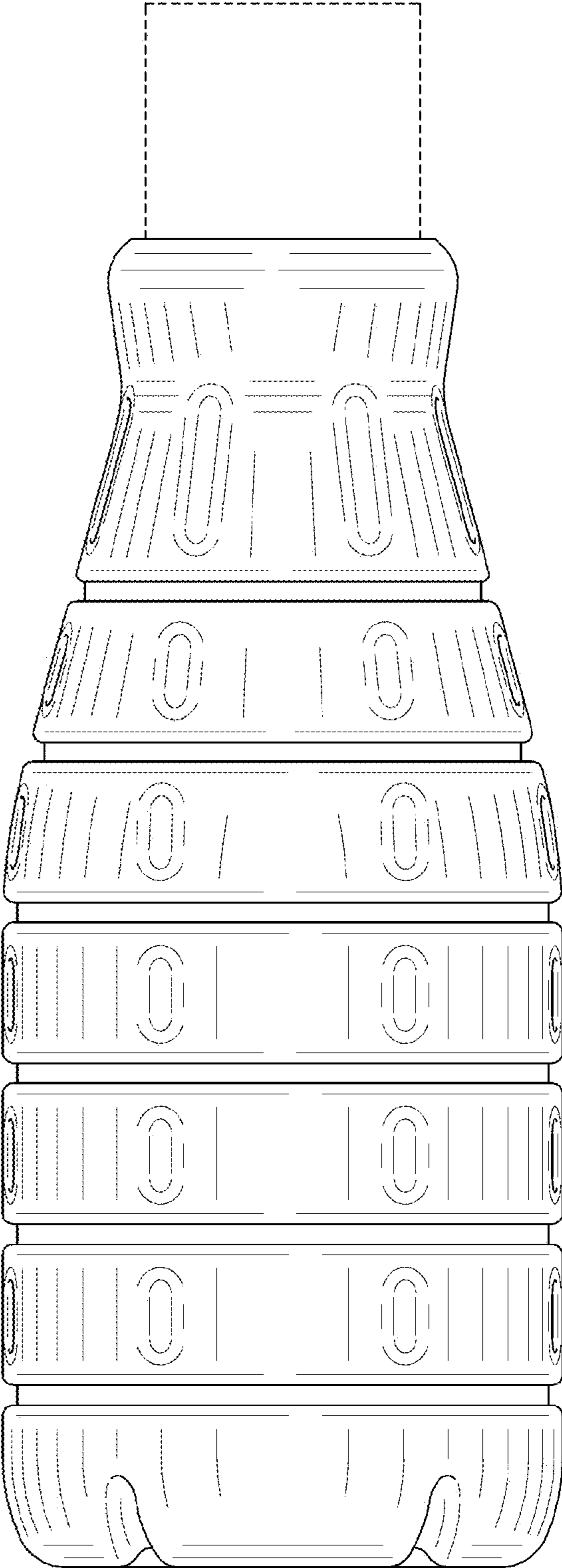


FIG. 3

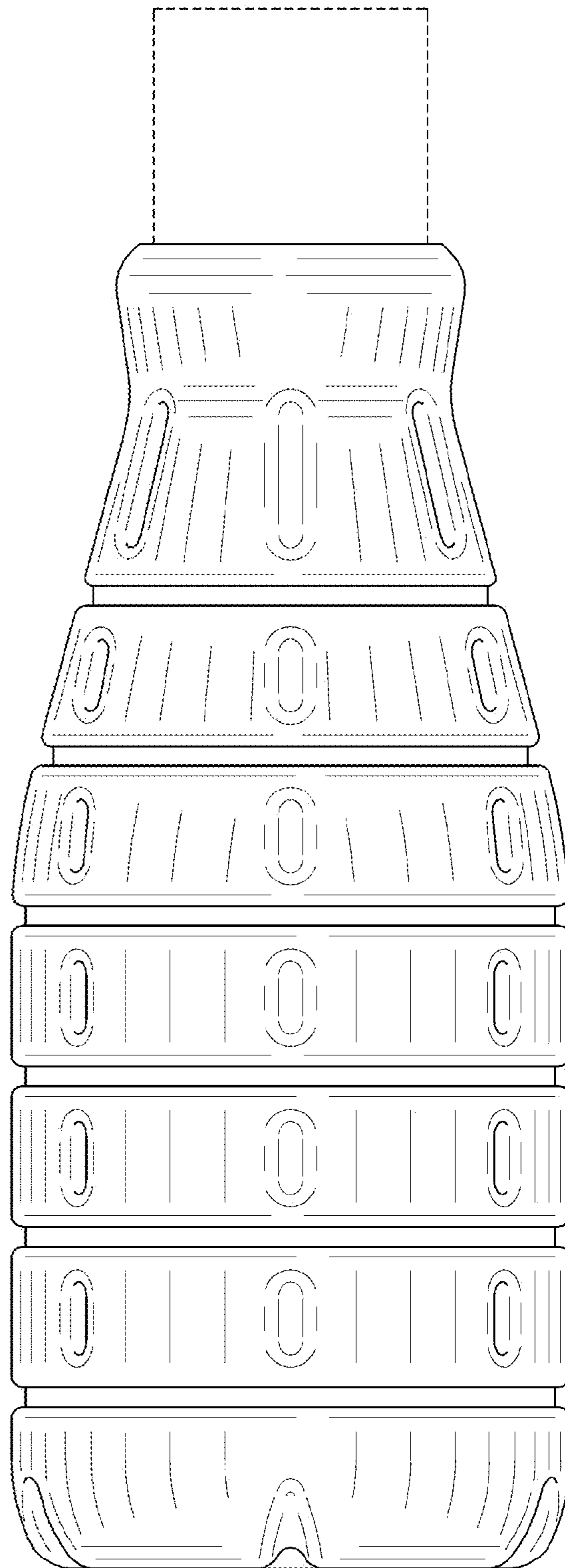


FIG. 4

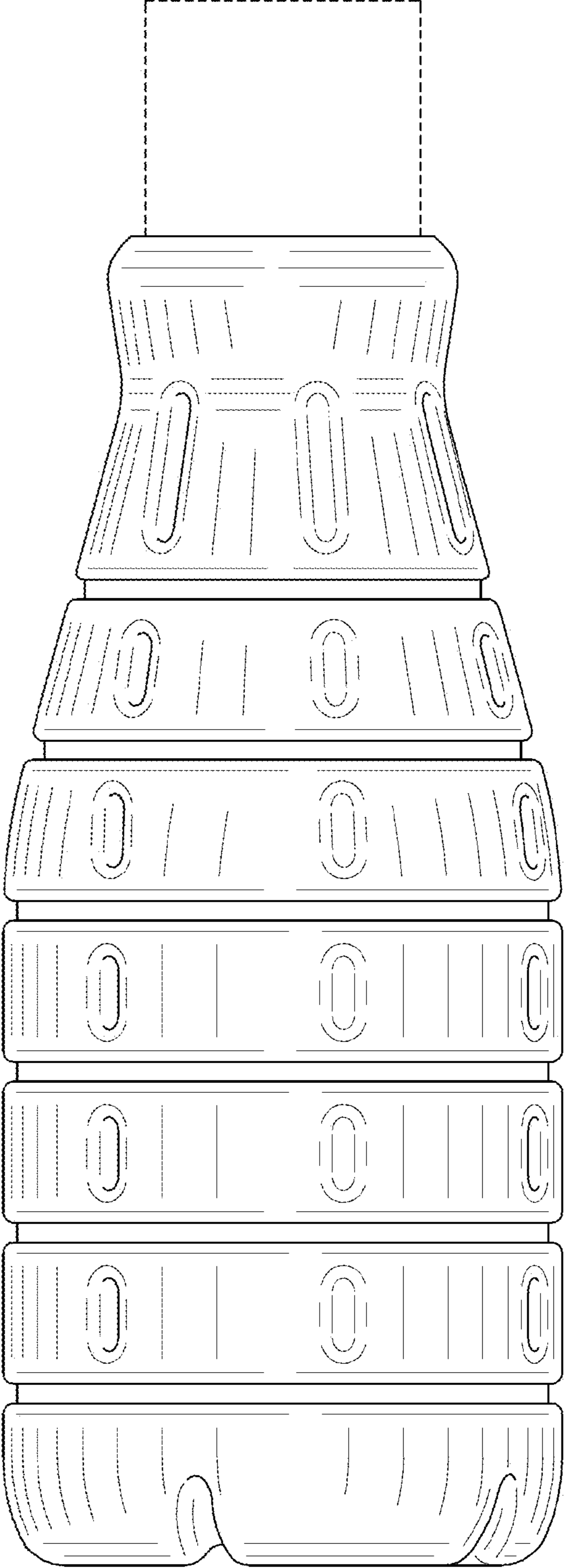


FIG. 5

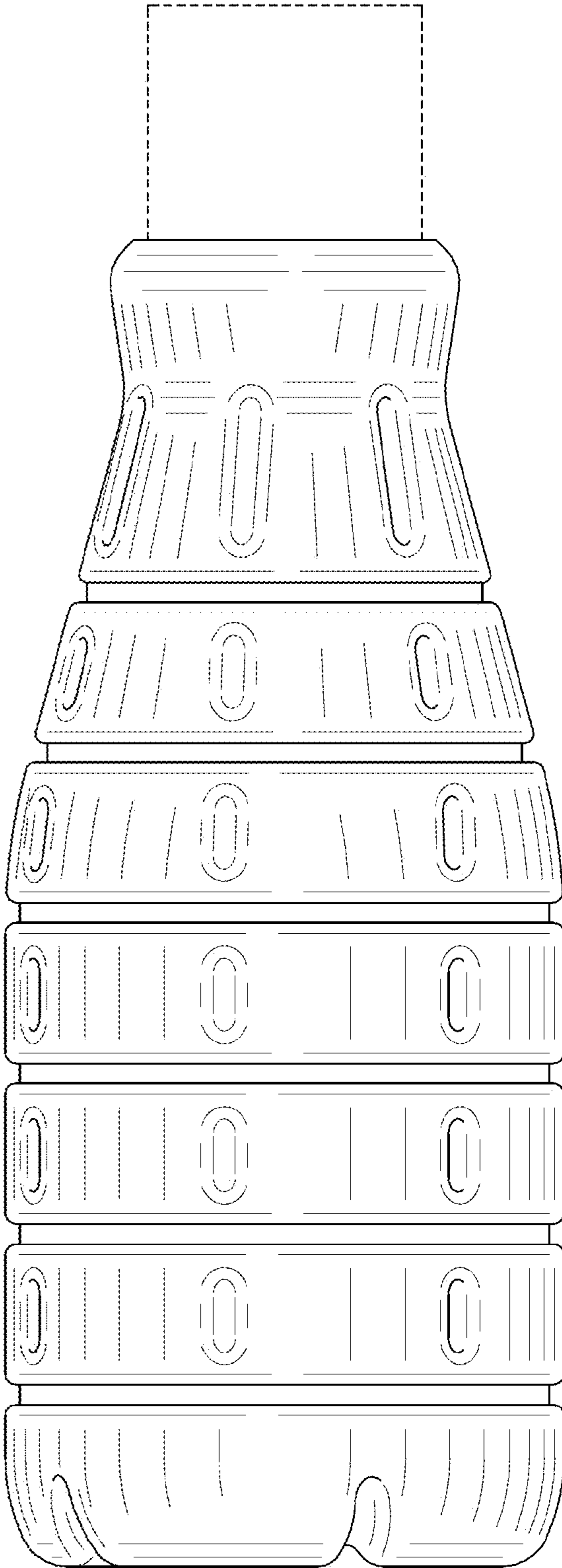


FIG. 6

