



US00D734670S

(12) **United States Design Patent**  
**Griffis**

(10) **Patent No.:** **US D734,670 S**

(45) **Date of Patent:** **\*\* Jul. 21, 2015**

(54) **SCENTED CAP**

(71) Applicant: **Shawn Griffis**, San Diego, CA (US)

(72) Inventor: **Shawn Griffis**, San Diego, CA (US)

(\*\*) Term: **14 Years**

(21) Appl. No.: **29/490,340**

(22) Filed: **May 8, 2014**

(51) **LOC (10) Cl.** ..... **09-07**

(52) **U.S. Cl.**  
USPC ..... **D9/452**

(58) **Field of Classification Search**

USPC ..... D3/318; D7/321, 387, 391, 507,  
D7/509-511, 515, 523, 553.3, 601, 602;  
D8/397; D9/434, 435, 436, 441, 449,  
D9/452, 499, 503, 504, 529, 651, 773;  
D11/43, 75, 76, 121, 130; 206/515,  
206/519, 520; 215/200; 220/705, 713, 717;  
411/427, 429, 430, 431

See application file for complete search history.

(56) **References Cited**

**U.S. PATENT DOCUMENTS**

D159,985 S *	9/1950	Heisey .....	D7/540
D172,090 S *	5/1954	Du Pree .....	D7/300
D206,889 S *	2/1967	Benes .....	D7/523
D230,187 S *	1/1974	Schultz .....	D26/11
D256,003 S *	7/1980	Barr .....	D11/43
D288,902 S *	3/1987	Lewis .....	D8/397
D372,765 S *	8/1996	Sisk .....	D23/269
D394,824 S *	6/1998	Itzkowitz .....	D11/79
D453,000 S *	1/2002	Shinjo et al. ....	D8/397
D457,783 S *	5/2002	Bodum .....	D7/511
D533,747 S *	12/2006	Jin .....	D7/510
D534,428 S *	1/2007	Reed et al. ....	D9/516

D614,247 S *	4/2010	Clausen .....	D21/488
D615,816 S *	5/2010	Joy et al. ....	D7/507
D617,426 S *	6/2010	Zeyfang .....	D23/260

\* cited by examiner

*Primary Examiner* — Robert M Spear

*Assistant Examiner* — Darcey E Heflin

(74) *Attorney, Agent, or Firm* — Mintz Levin Cohn Ferris  
Glovsky and Popeo, P.C.

(57) **CLAIM**

The ornamental design for a scented cap, as shown and described.

**DESCRIPTION**

FIG. 1 is a front perspective view of a scented cap showing my new design shown with the removable fitting removed for clarity of disclosure;

FIG. 2 is a side view thereof;

FIG. 3 is a top view thereof;

FIG. 4 is a bottom view thereof;

FIG. 5 is front perspective view of a removable fitting that attaches to the bottom of the scented cap of FIG. 8;

FIG. 6 is a side view of the removable fitting shown in FIG. 5;

FIG. 7 is a top view of the removable fitting shown in FIG. 5;

FIG. 8 is a side view of the removable fitting shown in FIG. 5 attached to the scented cap shown in FIG. 1;

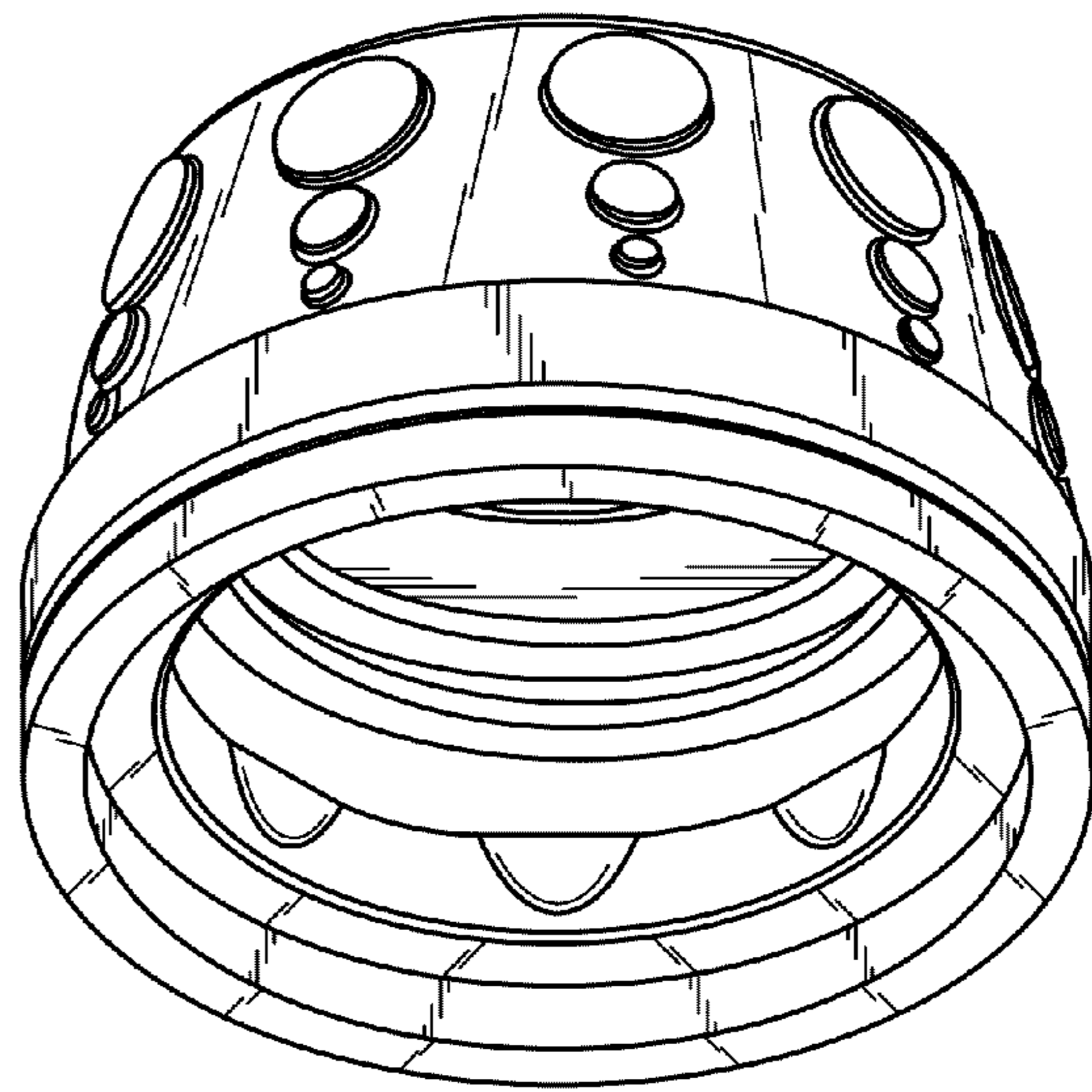
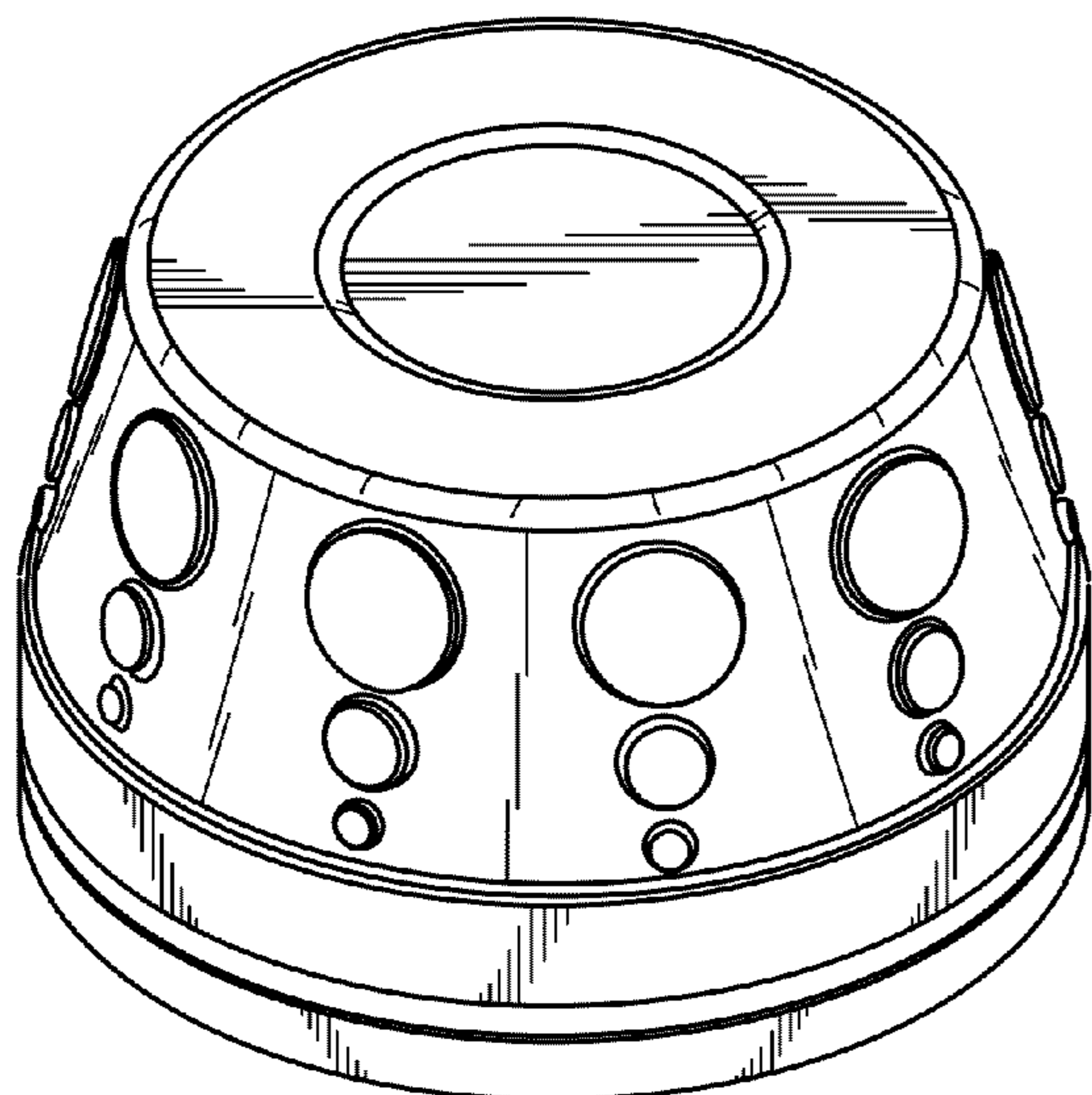
FIG. 9 is a top perspective view of the removable fitting connected to the scented cap, as shown in FIG. 8;

FIG. 10 is a top view of the removable fitting connected to the scented cap, as shown in FIG. 8; and,

FIG. 11 is bottom perspective view of the removable fitting connected to the scented cap, as shown in FIG. 8.

The scented cap and the removable fitting are symmetric, such that front, back, right side, and left side views are the same.

**1 Claim, 5 Drawing Sheets**



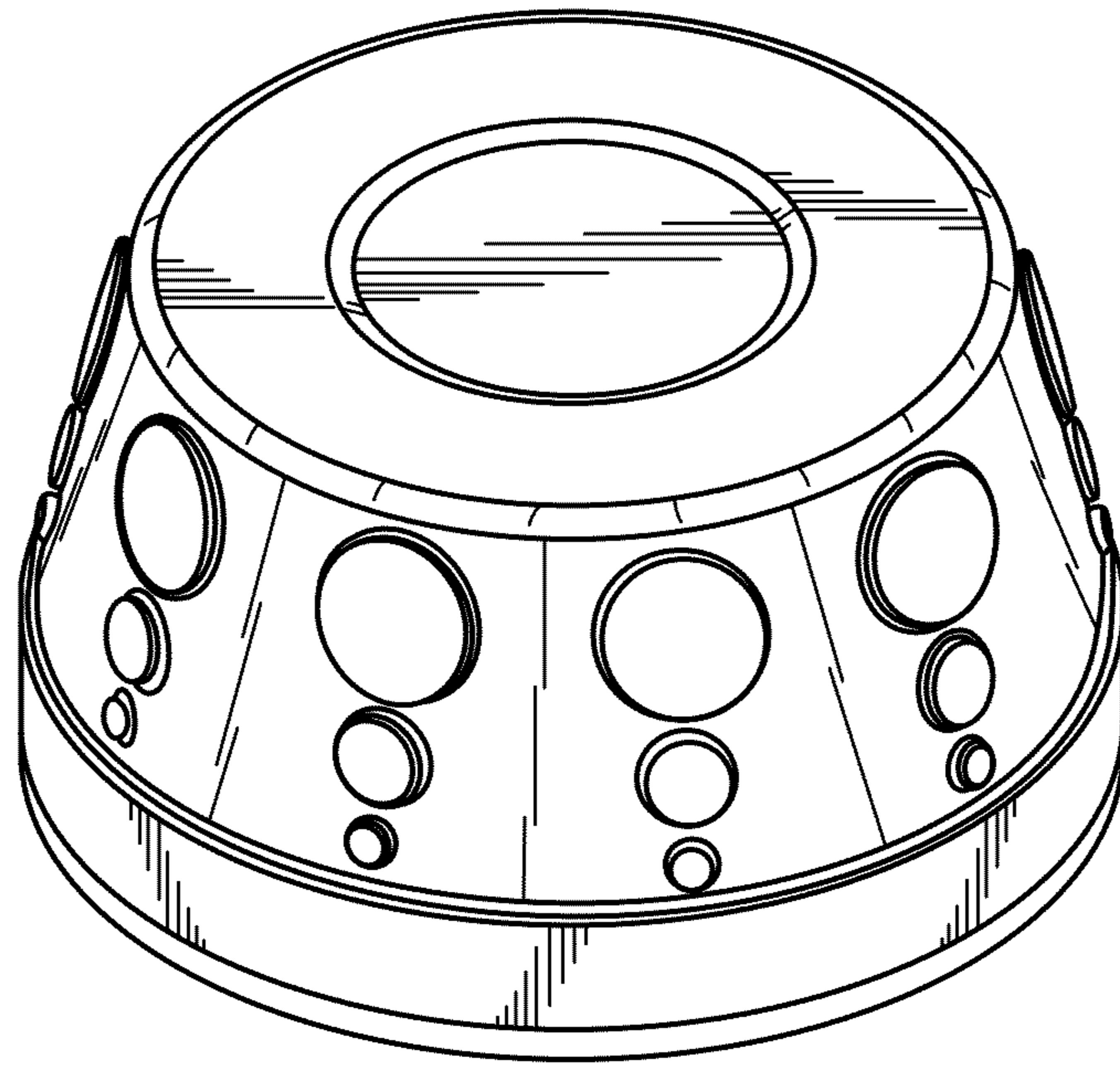


FIG. 1

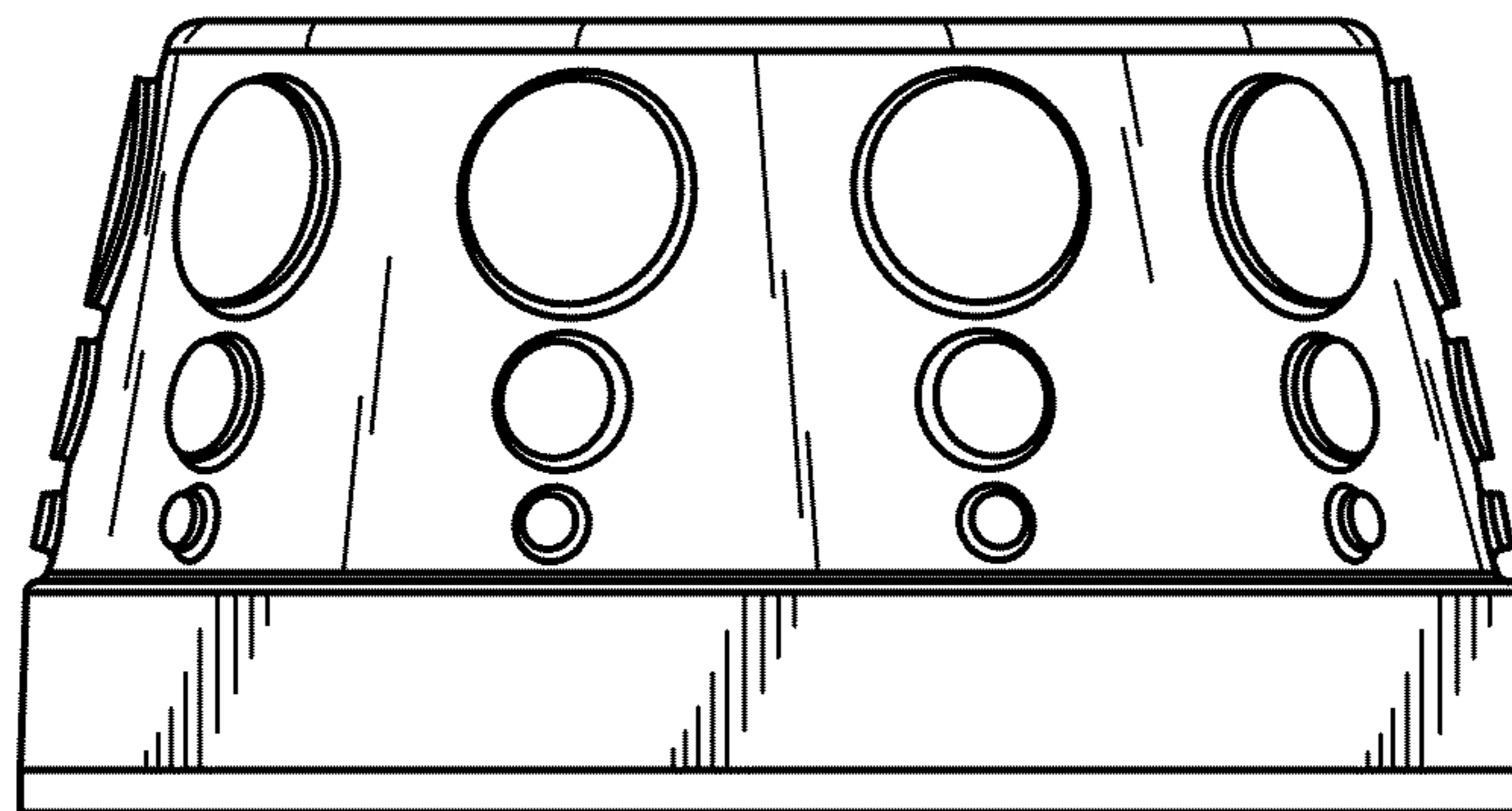


FIG. 2

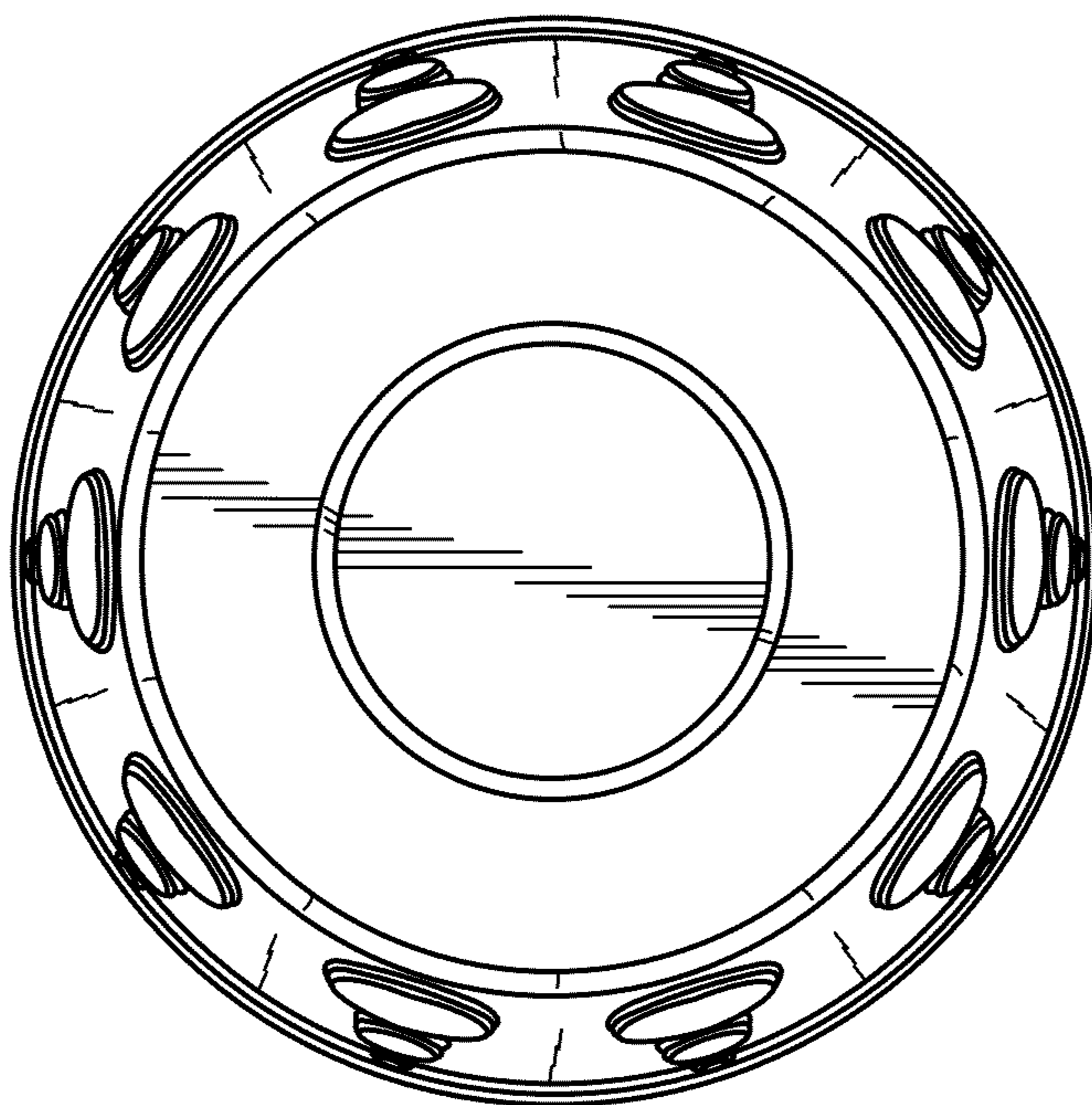


FIG. 3

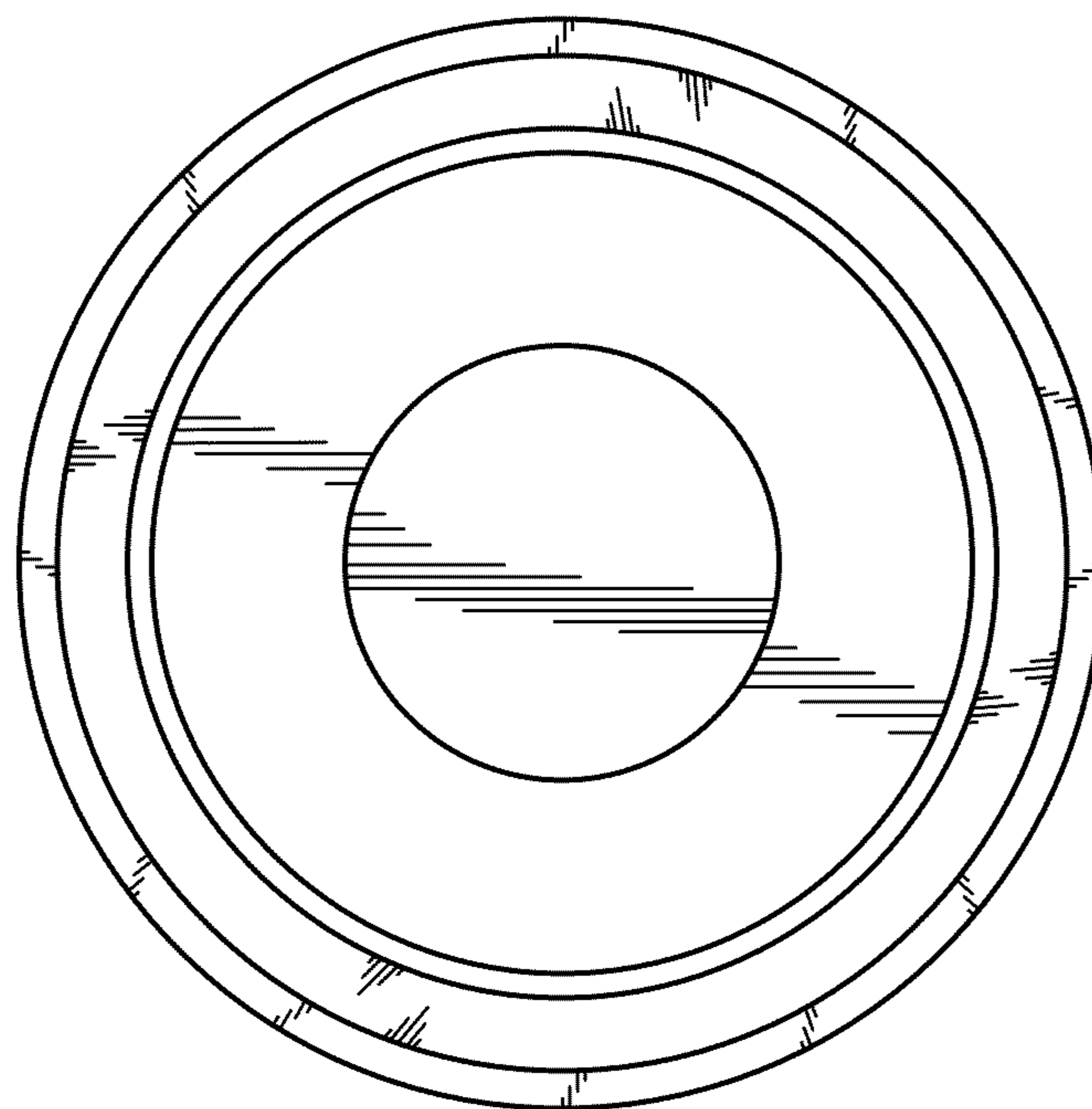


FIG. 4

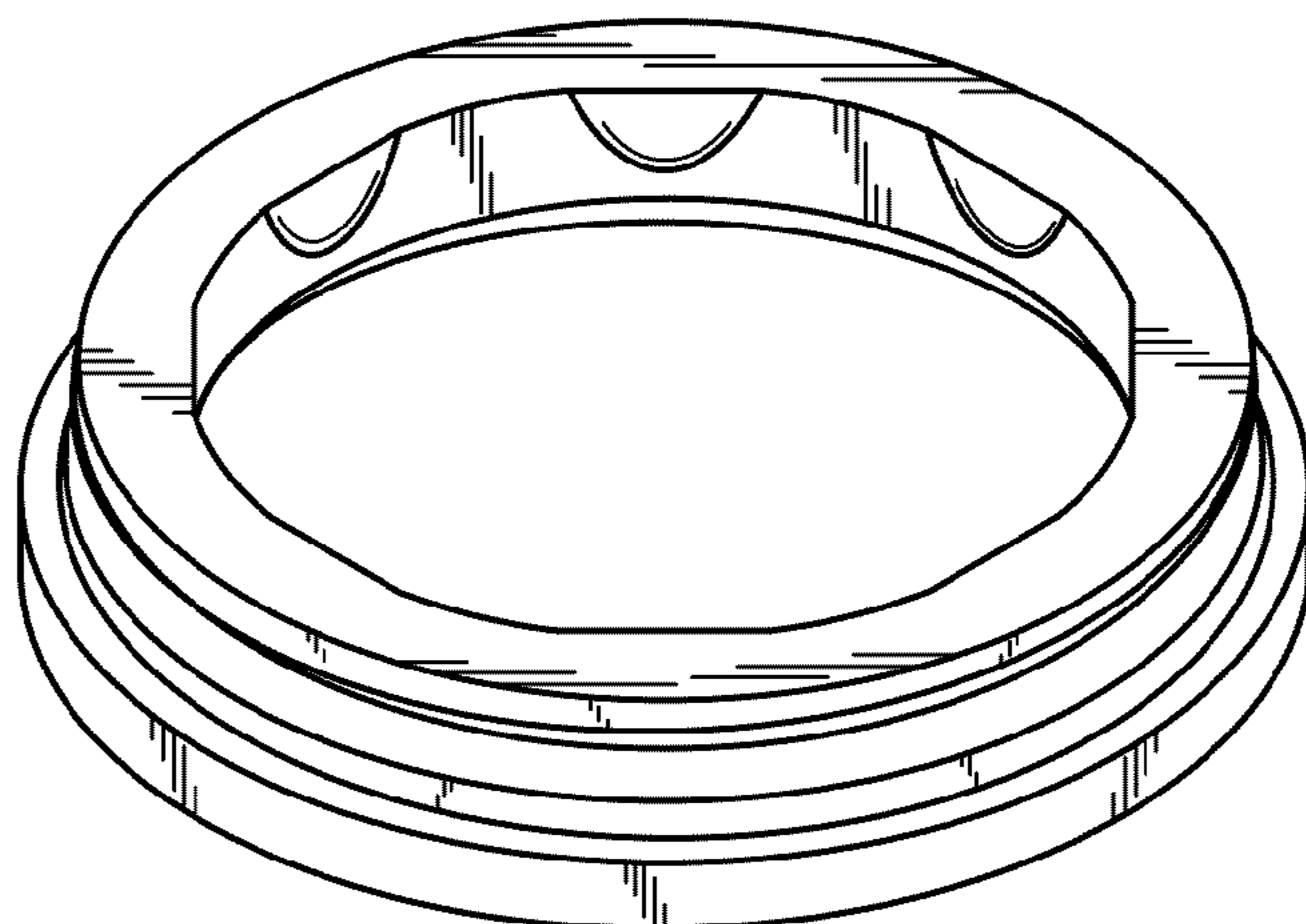


FIG. 5

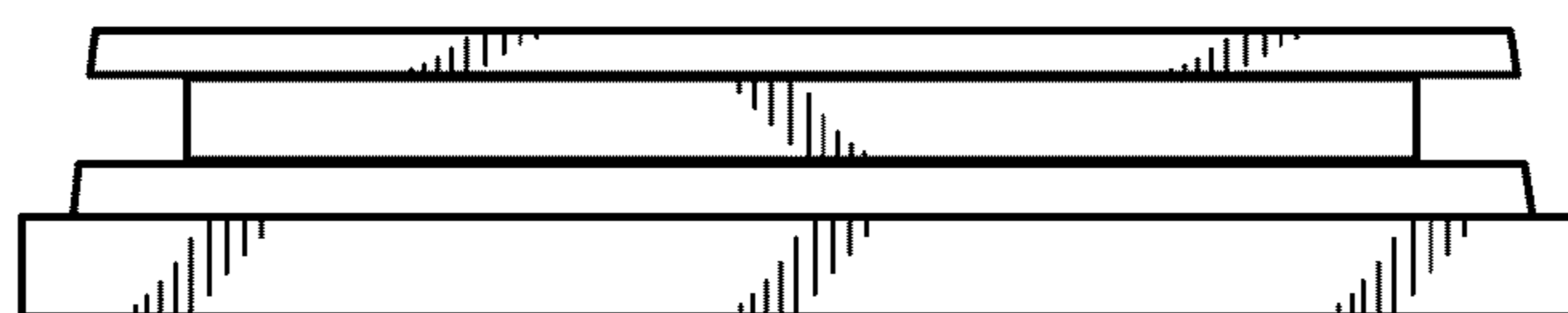


FIG. 6

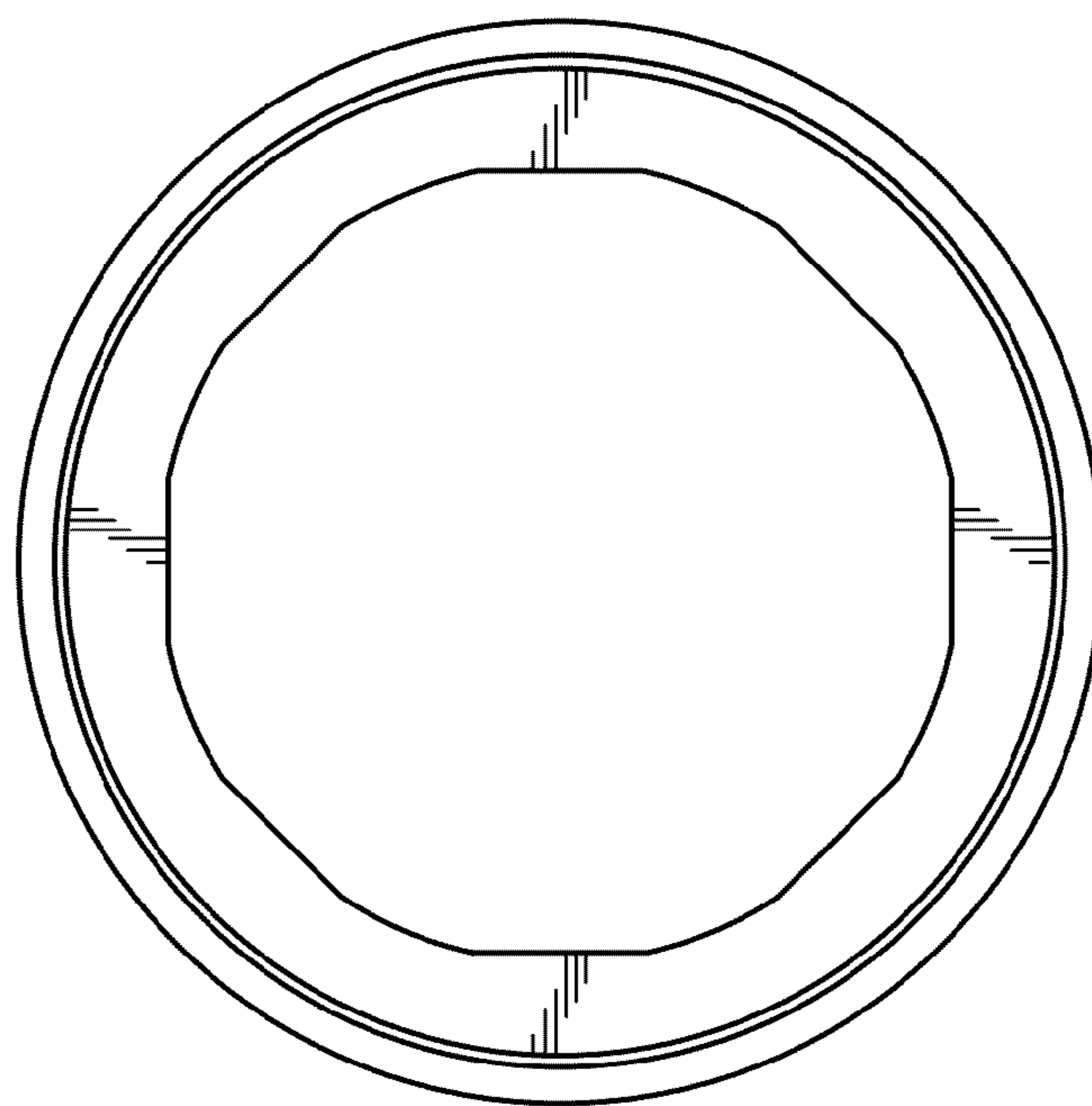


FIG. 7

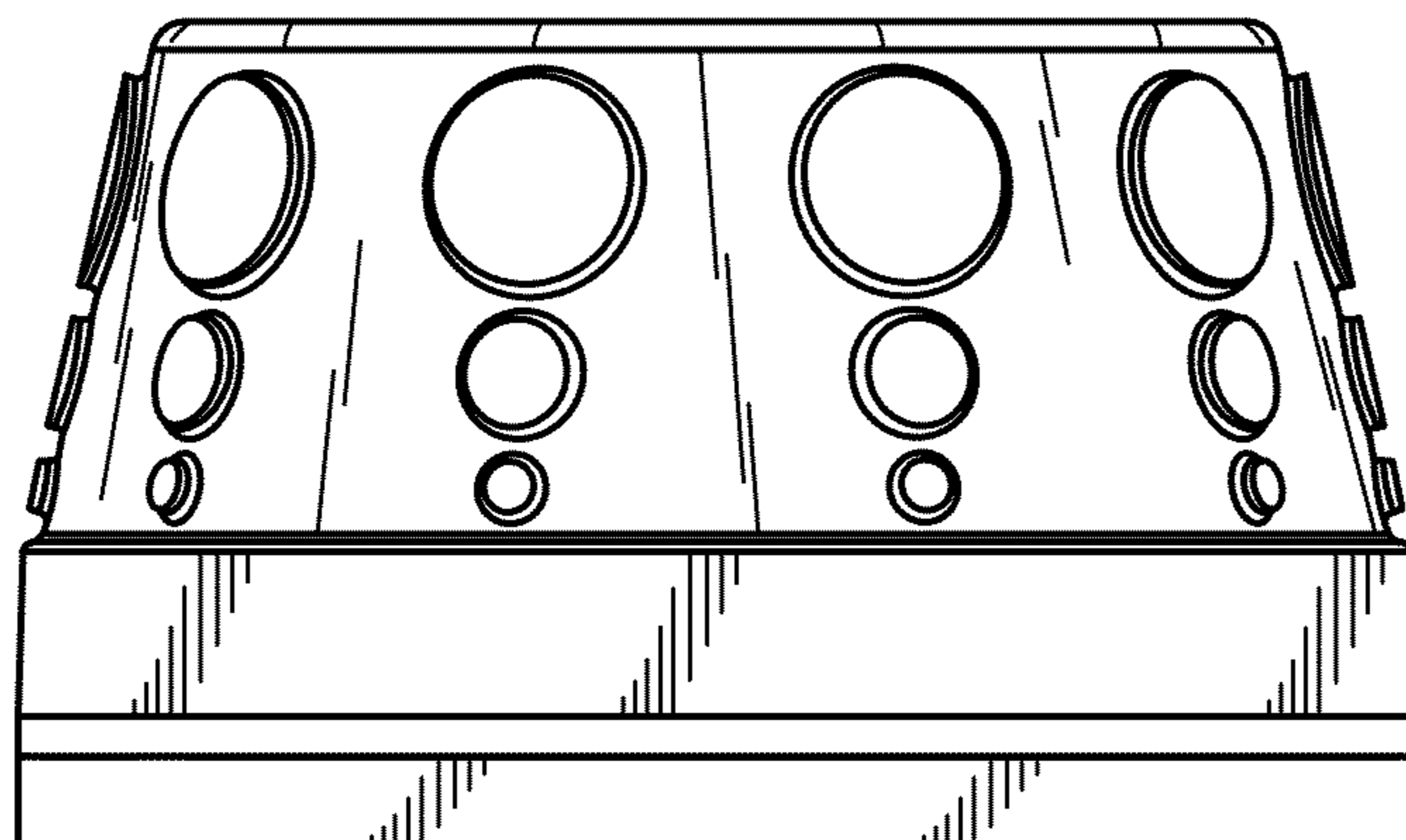


FIG. 8

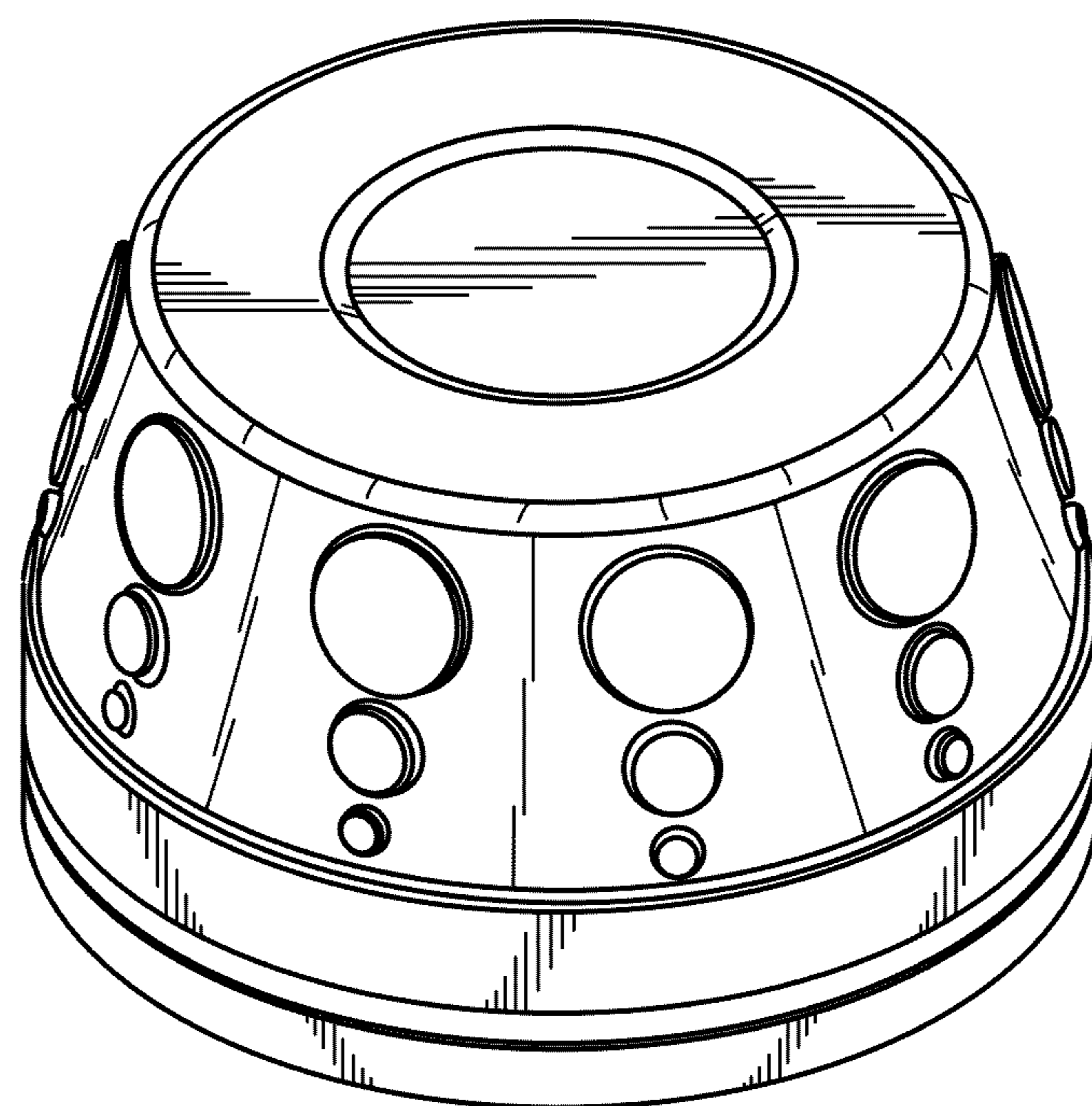


FIG. 9

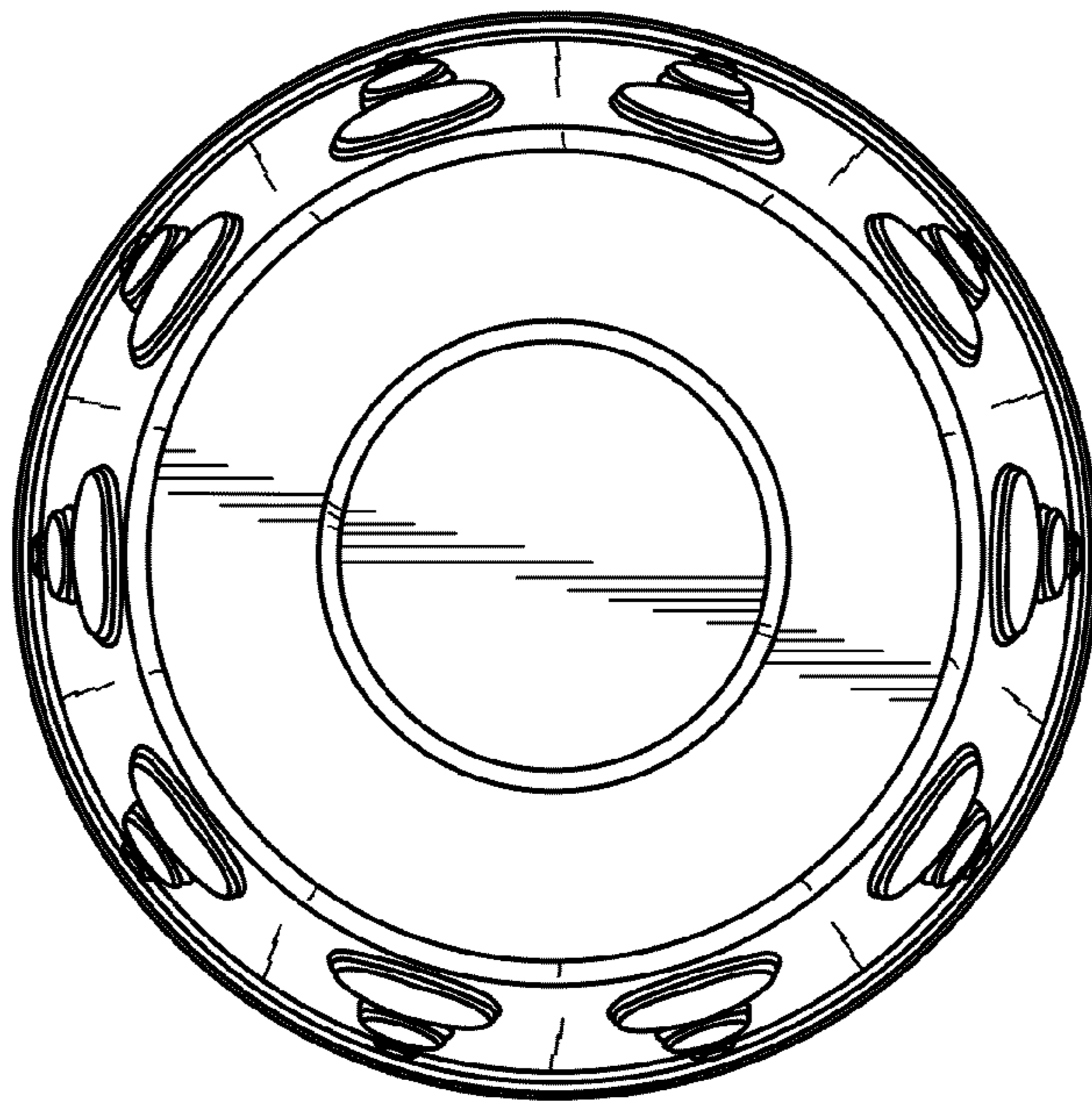


FIG. 10

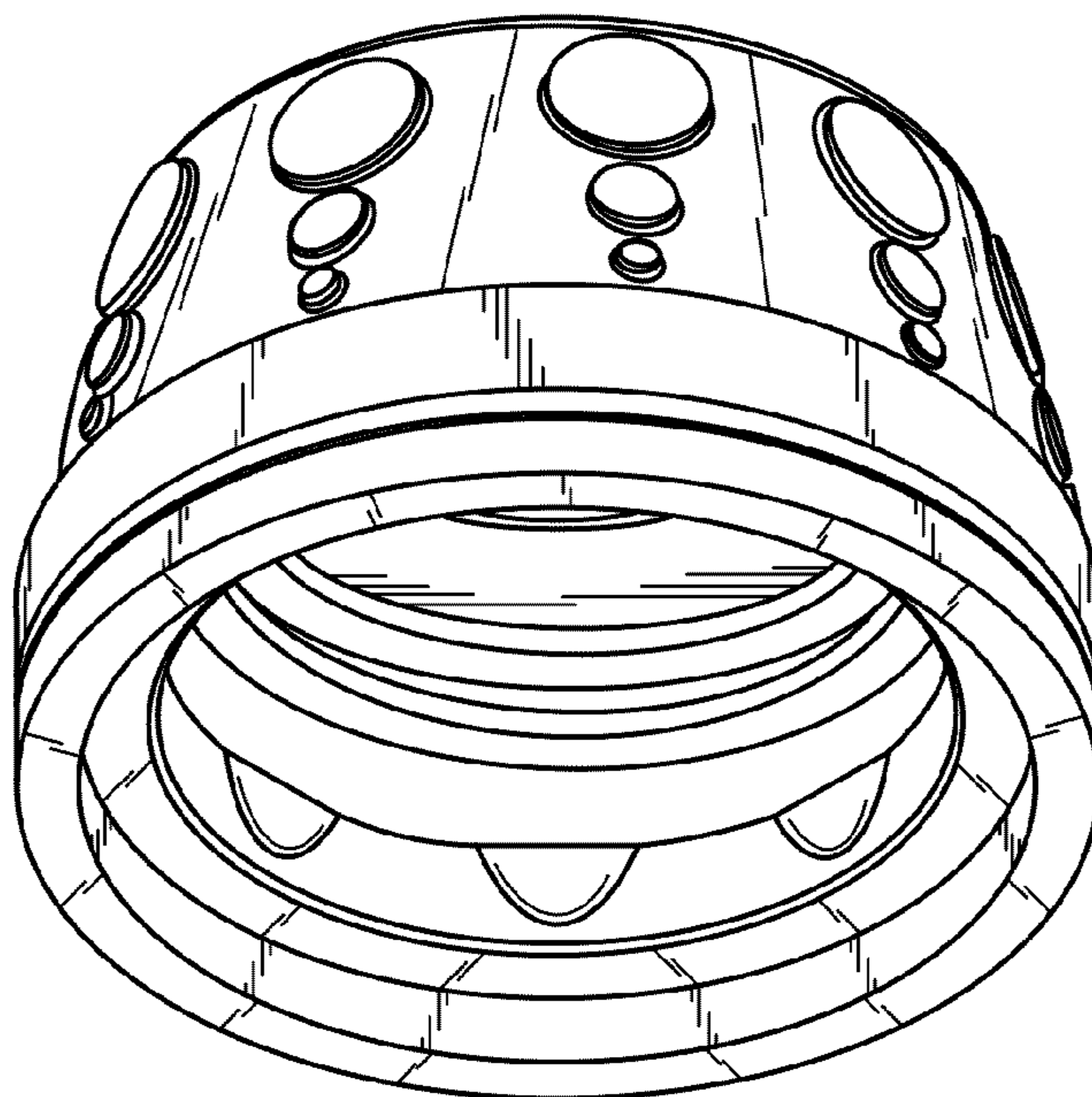


FIG. 11