



US00D734665S

(12) **United States Design Patent**
Cahen et al.

(10) **Patent No.:** **US D734,665 S**
(45) **Date of Patent:** **** Jul. 21, 2015**

(54) **CAPSULE**

(71) Applicant: **Societe des Produits Nestle S.A., Vevey (CH)**

(72) Inventors: **Antoine Cahen, Lausanne (CH);
Arnaud Gerbault, Oye-et-Pallet (FR)**

(73) Assignee: **Societe des Produits Nestle S.A., Vevey (CH)**

(**) Term: **14 Years**

(21) Appl. No.: **29/462,383**

(22) Filed: **Aug. 2, 2013**

(30) **Foreign Application Priority Data**

Feb. 7, 2013 (CH) 139551

(51) **LOC (10) Cl.** **09-03**

(52) **U.S. Cl.**
USPC **D9/429; D9/428**

(58) **Field of Classification Search**
USPC 220/564, 560.09, 568; D7/503, 513,
D7/527, 541, 542, 545, 566, 586, 587, 601,
D7/602, 612, 615, 619.1, 629, 630, 624.3,
D7/373; 206/223, 541, 423, 501, 502, 503,
206/505, 508, 561, 564; 99/646 C, DIG. 15;
D11/152, 153; D3/202, 203.3, 302,
D3/304; D9/414, 416-438, 440, 447, 454,
D9/499, 500, 502, 503, 904
CPC B65D 85/8043; B65D 2081/001;
B65D 81/3238; A47J 31/407
See application file for complete search history.

(56) **References Cited**

U.S. PATENT DOCUMENTS

2,968,560 A * 1/1961 Goros 99/295
4,471,689 A * 9/1984 Piana 99/295
D288,515 S * 3/1987 Rimmeir D7/584
D306,974 S * 4/1990 Tholstrup D9/424

D335,531 S * 5/1993 Kunze et al. D23/366
5,230,867 A * 7/1993 Kunze et al. 422/123
D368,222 S * 3/1996 Hoefler D9/434
D436,532 S * 1/2001 Richardson D9/428
D605,502 S * 12/2009 Honda et al. D9/429
D651,096 S * 12/2011 Nakagiri D9/707
D651,508 S * 1/2012 Layfield D9/416

(Continued)

OTHER PUBLICATIONS

Internet search URL<<http://www.theblackpeppercorn.com/2014/04/nESPRESSO-vertuoline-product-review/>[Date searched Mar. 17, 2015].*

Primary Examiner — Philip S Hyder

Assistant Examiner — Keith Frank

(74) *Attorney, Agent, or Firm* — K&L Gates LLP

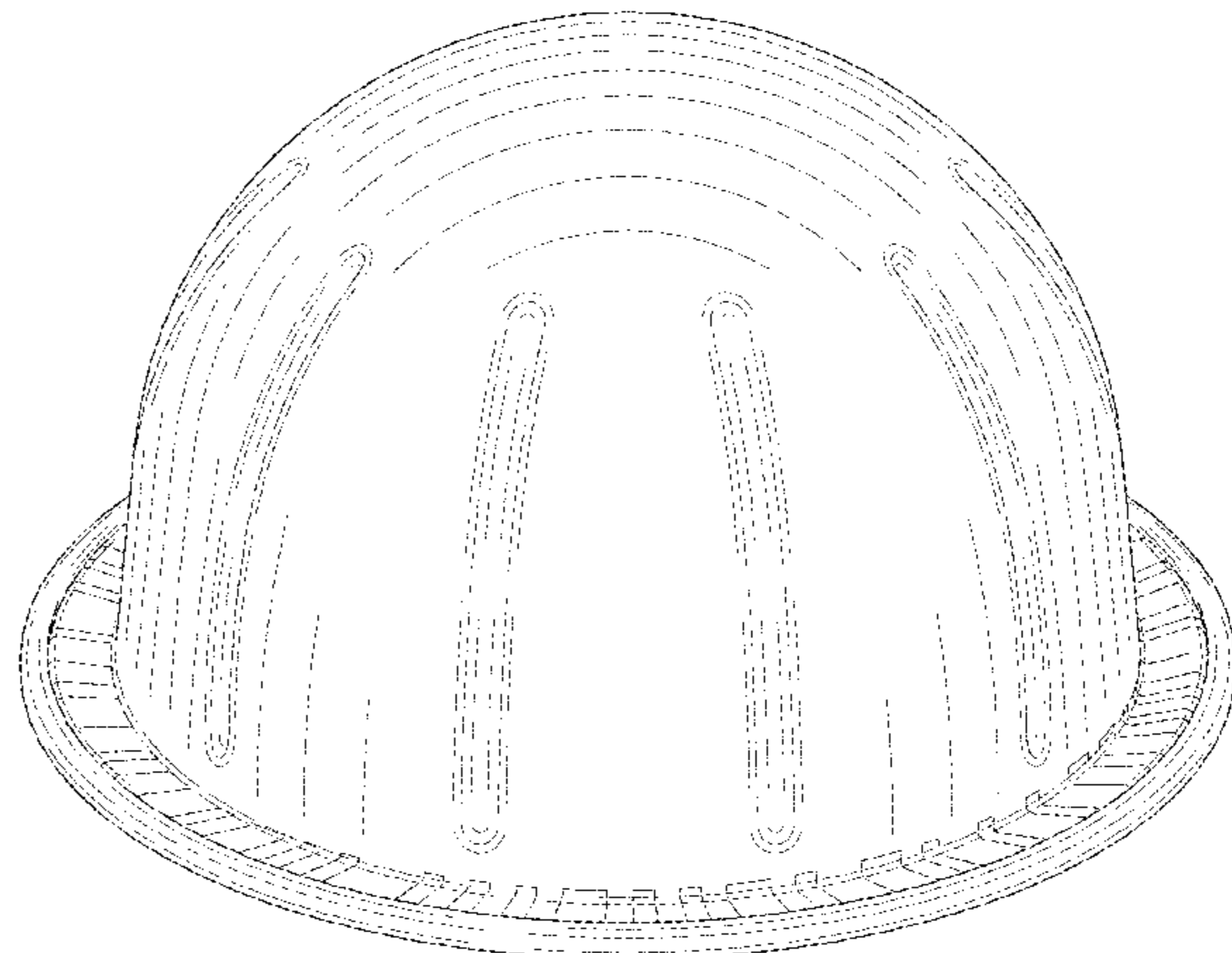
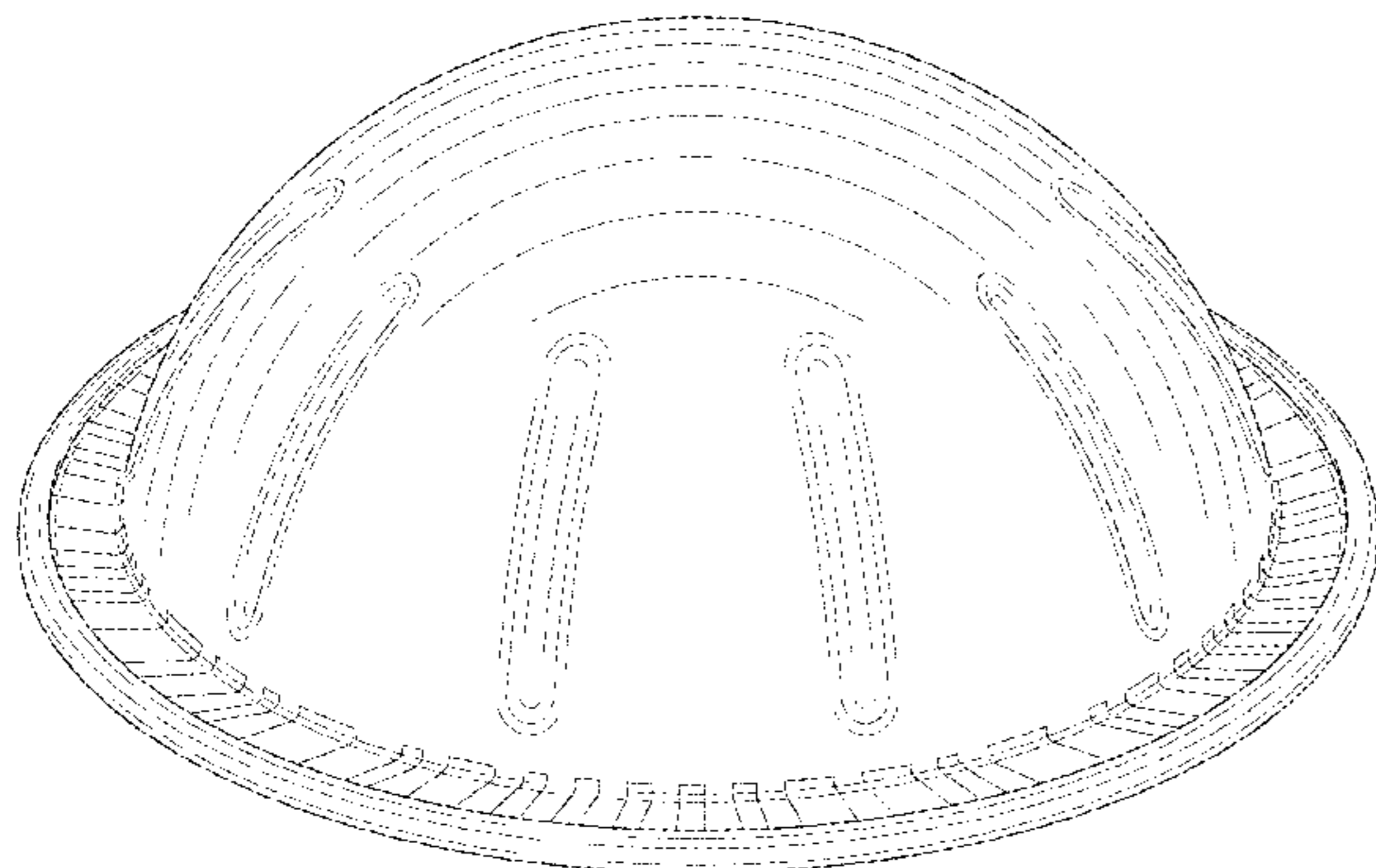
(57) **CLAIM**

The ornamental design for a capsule, as shown and described.

DESCRIPTION

FIG. 1 illustrates a top perspective view of an embodiment of a capsule according to the present invention;
FIG. 2 illustrates a front side elevational view thereof, wherein the rear side elevational view is a mirror image of this view;
FIG. 3 illustrates a right side elevational view thereof, wherein the left side elevational view is a mirror image of this view;
FIG. 4 illustrates a top plan view thereof;
FIG. 5 illustrates a top perspective view of a second embodiment of a capsule according to the present invention;
FIG. 6 illustrates a front side elevational view thereof, wherein the rear side elevational view is a mirror image of this view;
FIG. 7 illustrates a right side elevational view thereof, wherein the left side elevational view is a mirror image of this view; and,
FIG. 8 illustrates a top plan view thereof.

1 Claim, 6 Drawing Sheets



(56)

References Cited

U.S. PATENT DOCUMENTS

D651,866 S *	1/2012	Smyers	D7/630	D695,615 S *	12/2013	Rapparini	D9/500
D658,493 S *	5/2012	Cometto	D9/424	D703,035 S *	4/2014	Zanetti	D9/416
D685,631 S *	7/2013	Rapparini	D9/429	2008/0264267 A1 *	10/2008	Dogliani Majer	99/295
D692,759 S *	11/2013	Rapparini	D9/500	2009/0007793 A1 *	1/2009	Glucksman et al.	99/287
				2011/0236541 A1 *	9/2011	Gerbaulet et al.	426/106
				2014/0141140 A1 *	5/2014	Bugnano et al.	426/431

* cited by examiner

FIG. 1

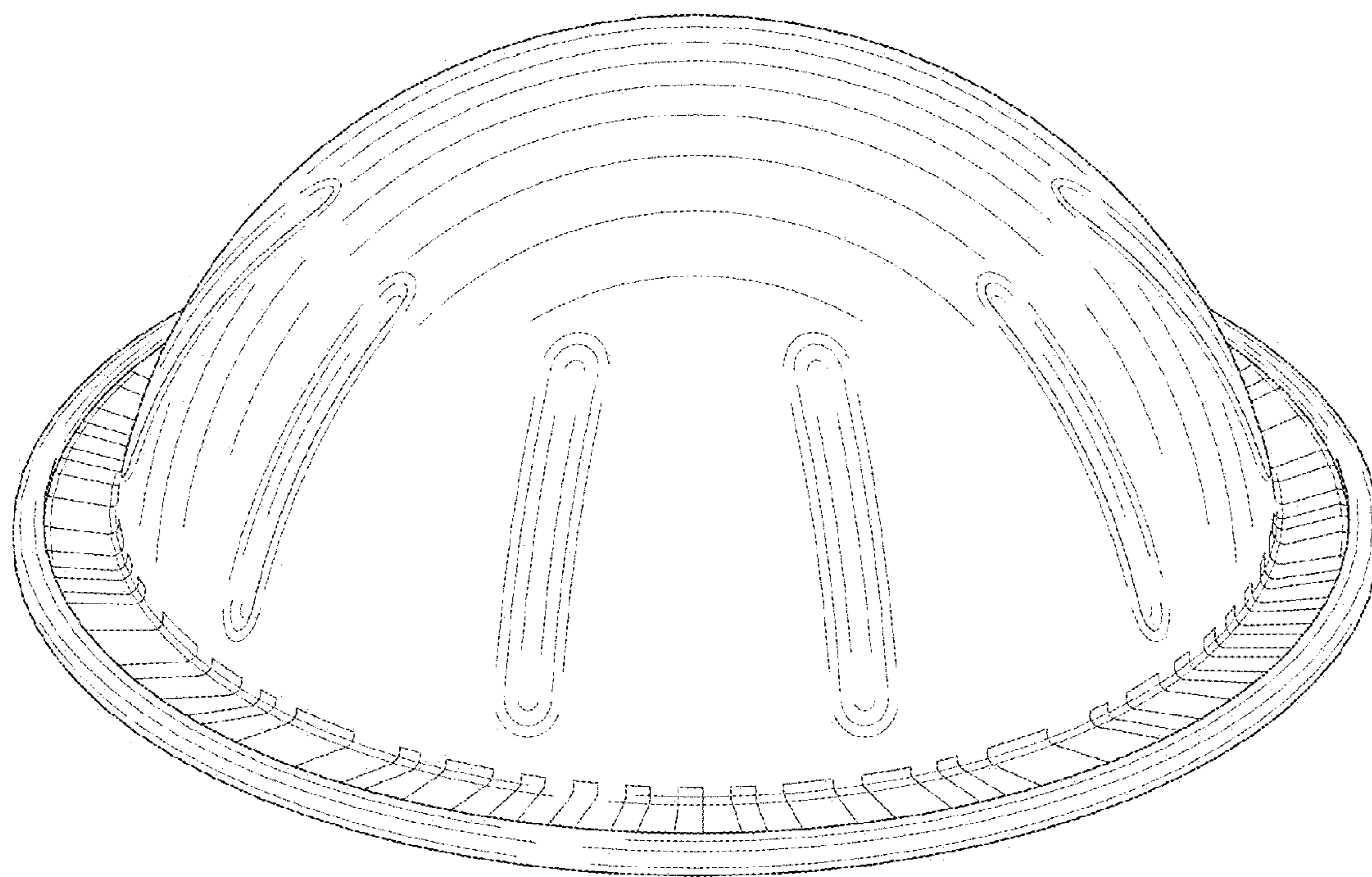


FIG. 2

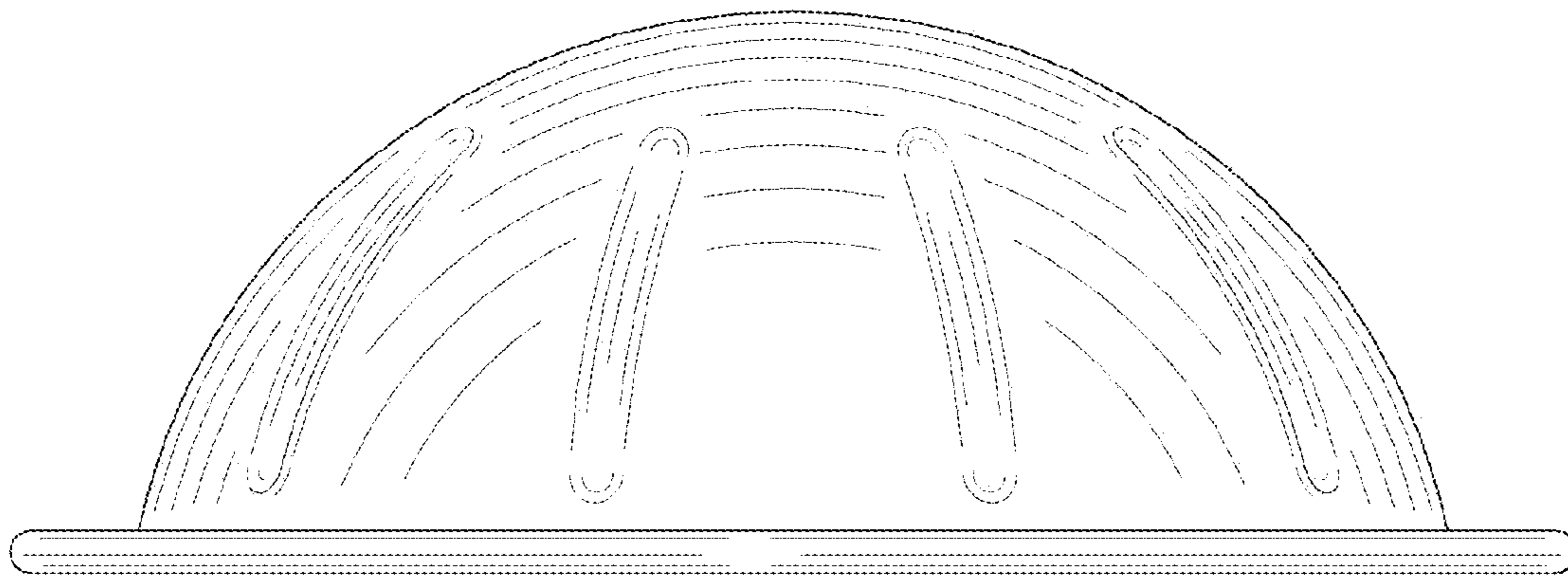


FIG. 3

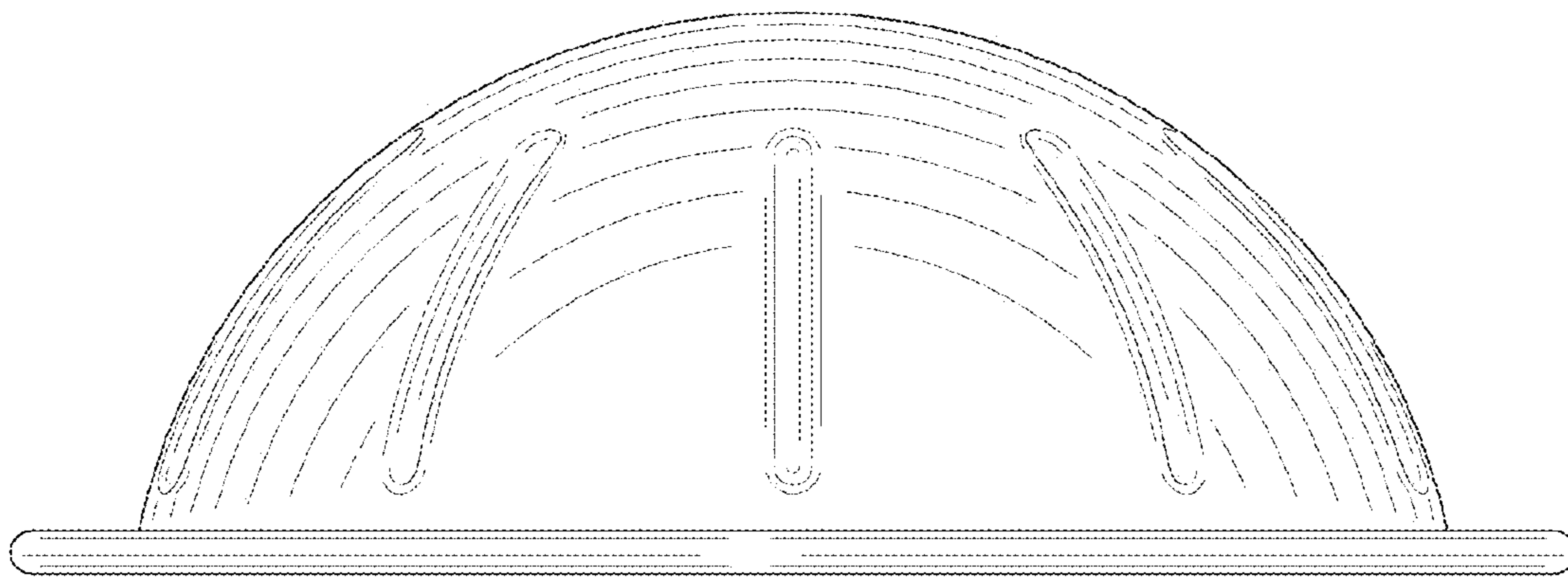


FIG. 4

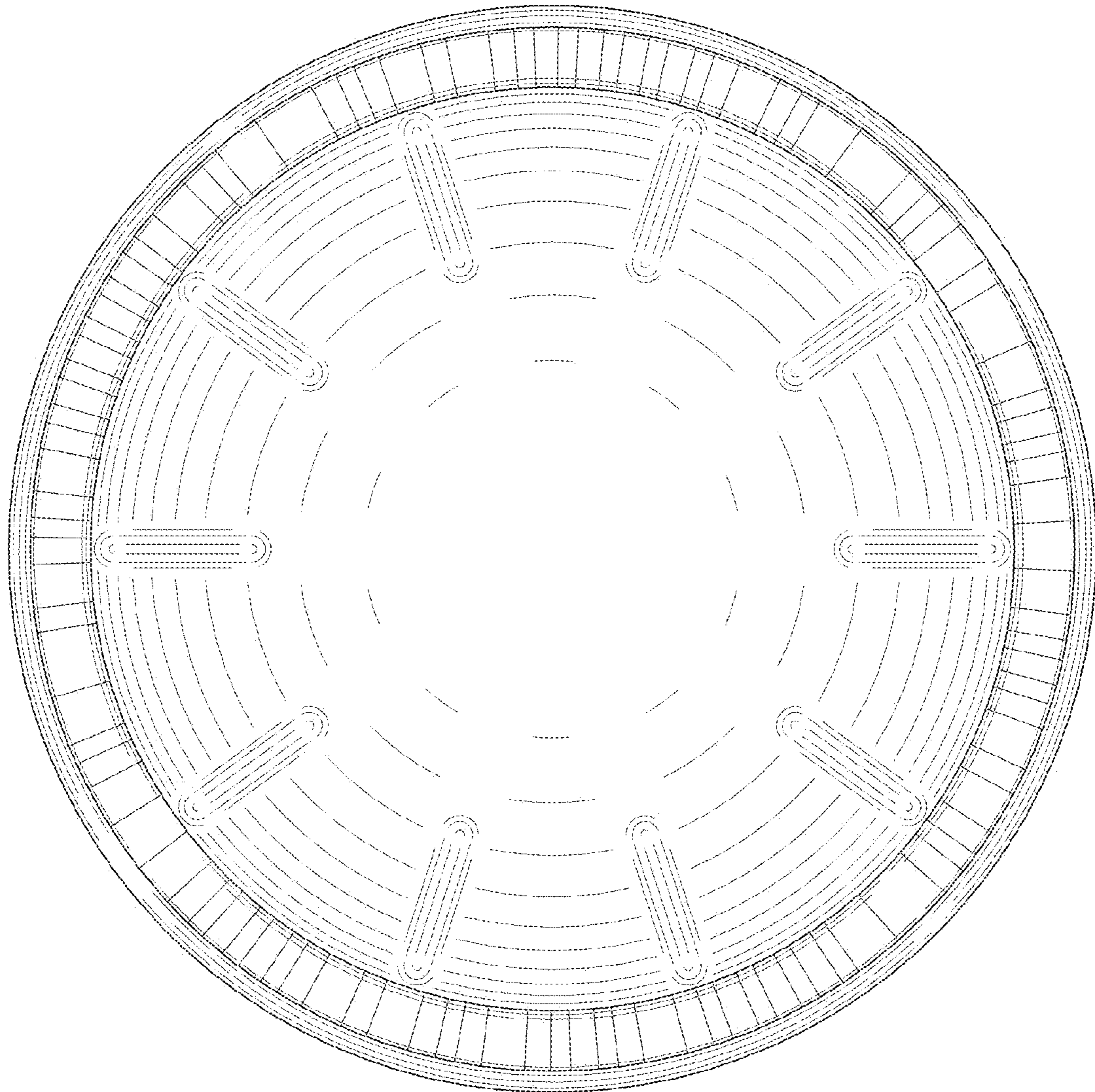


FIG. 5

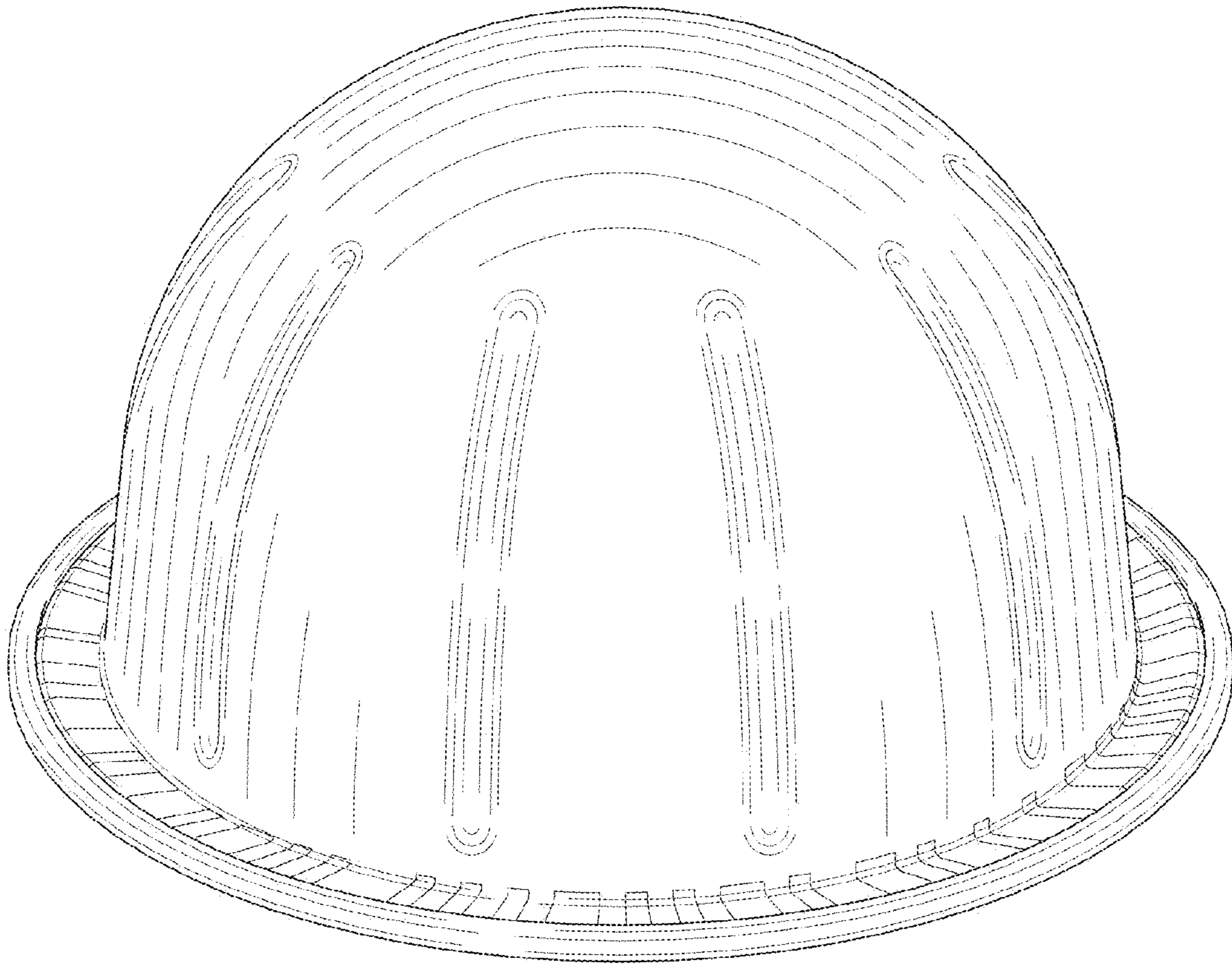


FIG. 6

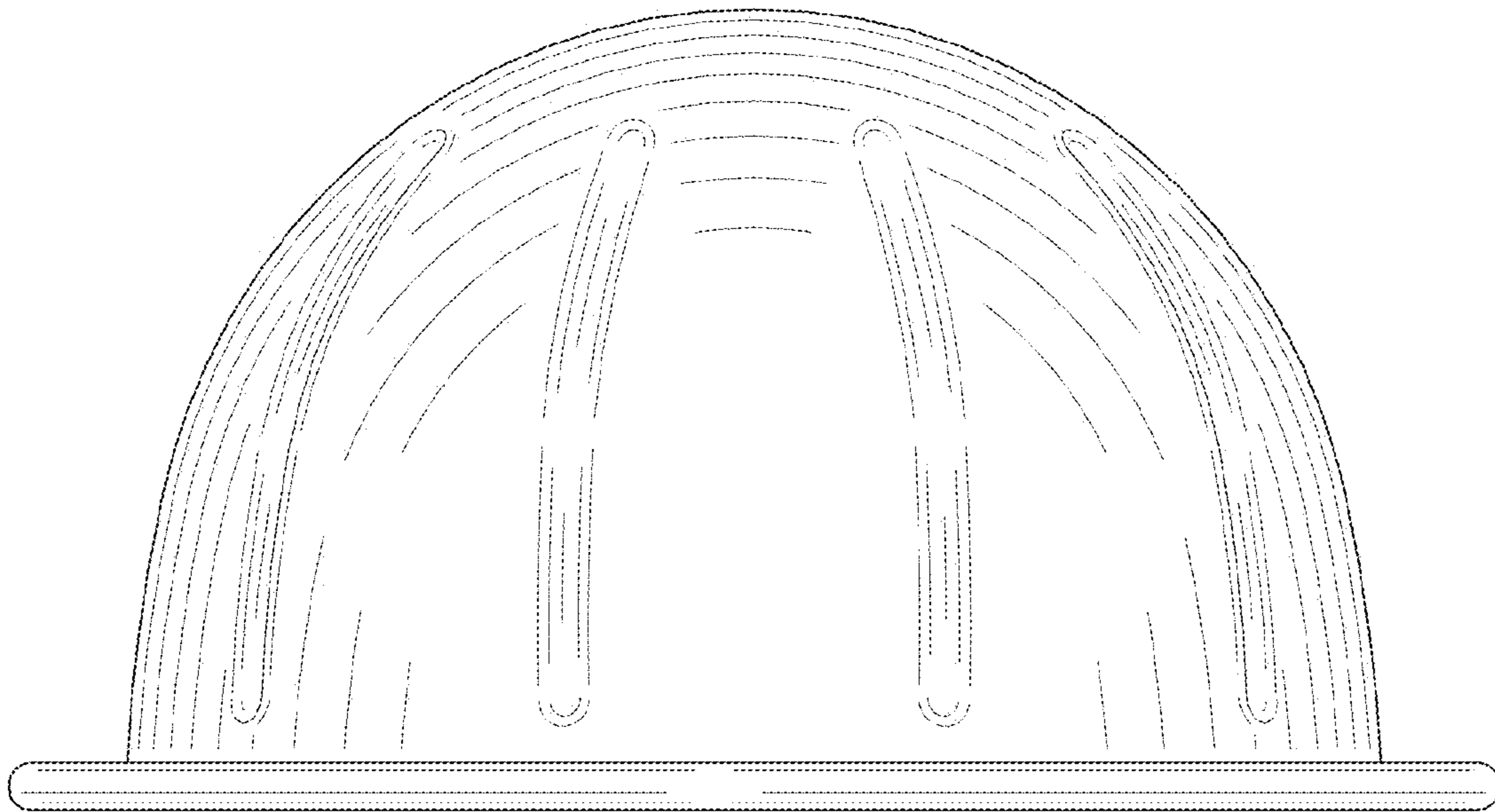


FIG. 7

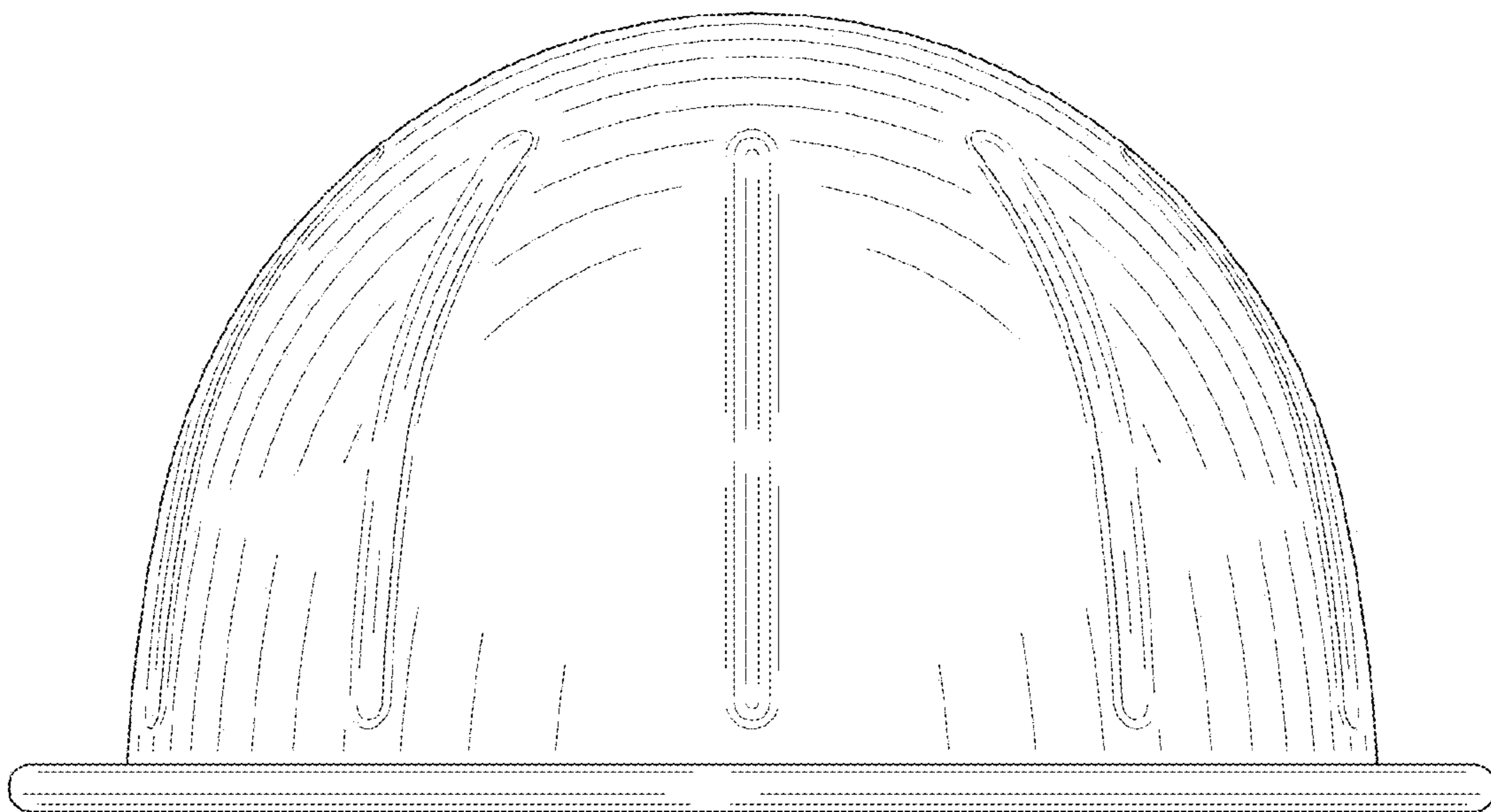


FIG. 8

