



US00D734663S

(12) **United States Design Patent**
Cooper

(10) **Patent No.:** **US D734,663 S**
(45) **Date of Patent:** **** Jul. 21, 2015**

(54) **CONTAINER**

(71) Applicant: **TYPACK S.A.**, San Bernardo, Santiago (CL)

(72) Inventor: **Peter McRostie Cooper**, San Bernardo (CL)

(73) Assignee: **TYPACK S. A.**, Santiago (CL)

(**) Term: **14 Years**

(21) Appl. No.: **29/464,716**

(22) Filed: **Aug. 20, 2013**

(30) **Foreign Application Priority Data**

Apr. 25, 2013 (CL) 2013-01135

(51) **LOC (10) Cl.** **09-03**

(52) **U.S. Cl.**
USPC **D9/425**

(58) **Field of Classification Search**

USPC D9/414, 415, 416, 417, 419, 421, 424,
D9/425, 428, 429; D7/318, 319, 619.1,
D7/629; 229/400-406, 906.1;
220/656-659, 669-675, 912,
220/4.21-4.27; 206/553, 557, 541, 775,
206/776, 217
CPC A47J 36/06; A47J 47/14; B65D 1/34;
B65D 1/165; B65D 15/08; B65D 21/083;
B65D 21/0234; B65D 43/162; B65D 71/50;
B65D 77/24; B65D 81/3869; B65D
2543/00046; B65D 2543/00055; B65D
2543/00083; B65D 2543/00092; B65D
2543/00296

See application file for complete search history.

(56) **References Cited**

U.S. PATENT DOCUMENTS

D184,525 S * 3/1959 Lurie D9/424
D194,814 S * 3/1963 Engles et al. D9/425

D198,545 S * 6/1964 Bostrom D9/760
D206,687 S * 1/1967 Peace D9/425
D207,131 S * 3/1967 Peace D9/425
3,403,834 A * 10/1968 Donovan 229/406
3,420,431 A * 1/1969 Donovan 229/407
D214,832 S * 8/1969 Bloch et al. D9/425
3,563,445 A * 2/1971 Clayton 229/407
D221,521 S * 8/1971 Crabtree D9/425
D229,036 S * 11/1973 Joonase D9/425
D249,235 S * 9/1978 Limon et al. D9/425
D249,236 S * 9/1978 Limon et al. D9/425
D249,237 S * 9/1978 Limon et al. D9/425
D249,238 S * 9/1978 Limon et al. D9/425
D273,181 S * 3/1984 Braddon D9/425
4,533,585 A * 8/1985 Holden 428/116
D287,104 S * 12/1986 Holden D9/425
D288,295 S * 2/1987 Holden D9/425
5,018,624 A * 5/1991 Arneson et al. 206/560
8,474,610 B1 * 7/2013 Knight et al. 206/204
D692,296 S * 10/2013 Cooper D9/424
2003/0015539 A1 * 1/2003 Hayes et al. 220/608

* cited by examiner

Primary Examiner — Karen S Acker

Assistant Examiner — Wendy Arminio

(74) *Attorney, Agent, or Firm* — Birch, Stewart, Kolasch & Birch, LLP

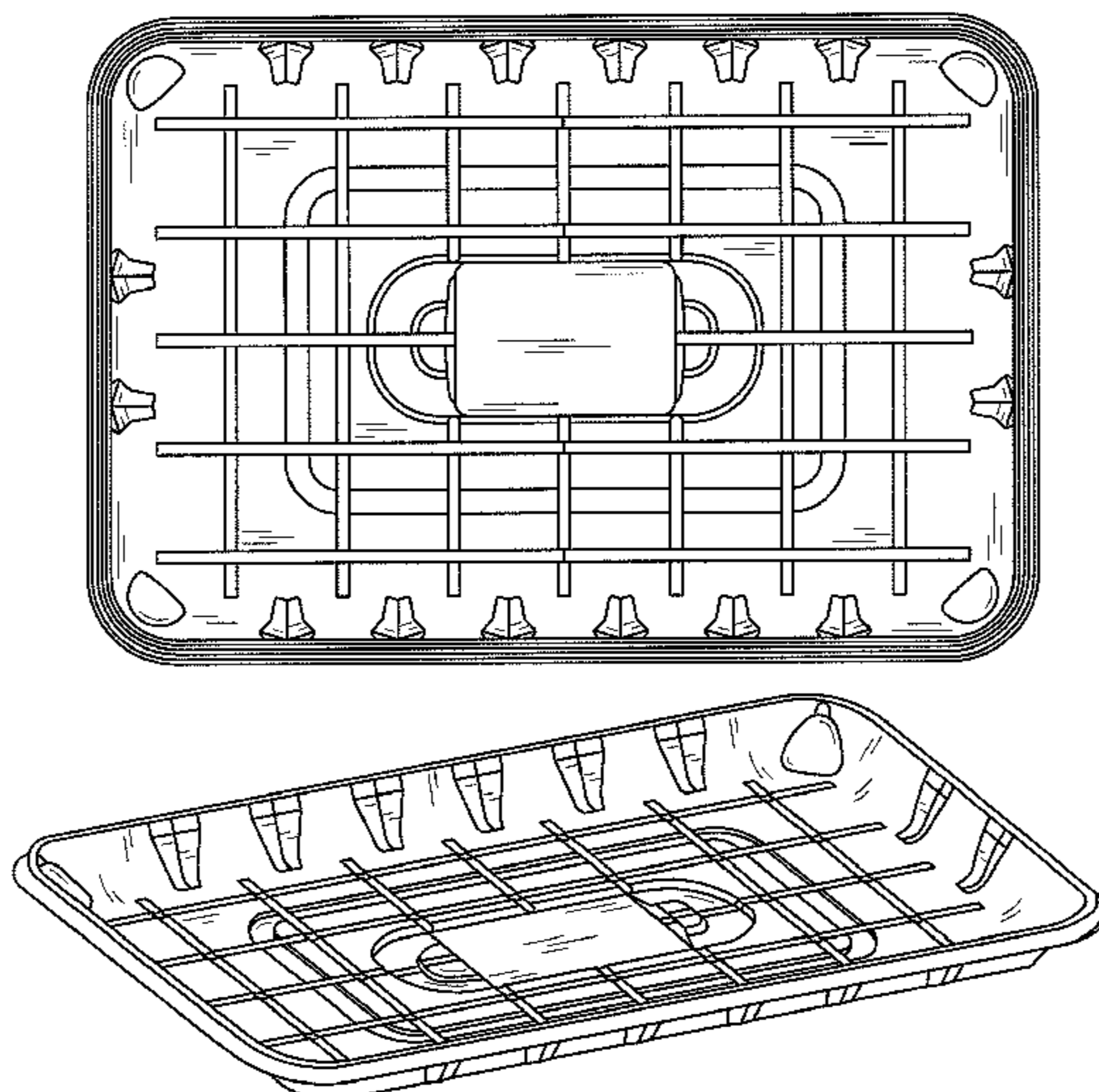
(57) **CLAIM**

The ornamental design for a container, as shown and described.

DESCRIPTION

FIG. 1 is a top view of a container showing my new design; FIG. 2 is a front view thereof; FIG. 3 is a bottom view thereof; FIG. 4 is a side view thereof; FIG. 5 is a top isometric view thereof; and, FIG. 6 is a bottom isometric view thereof.

1 Claim, 3 Drawing Sheets



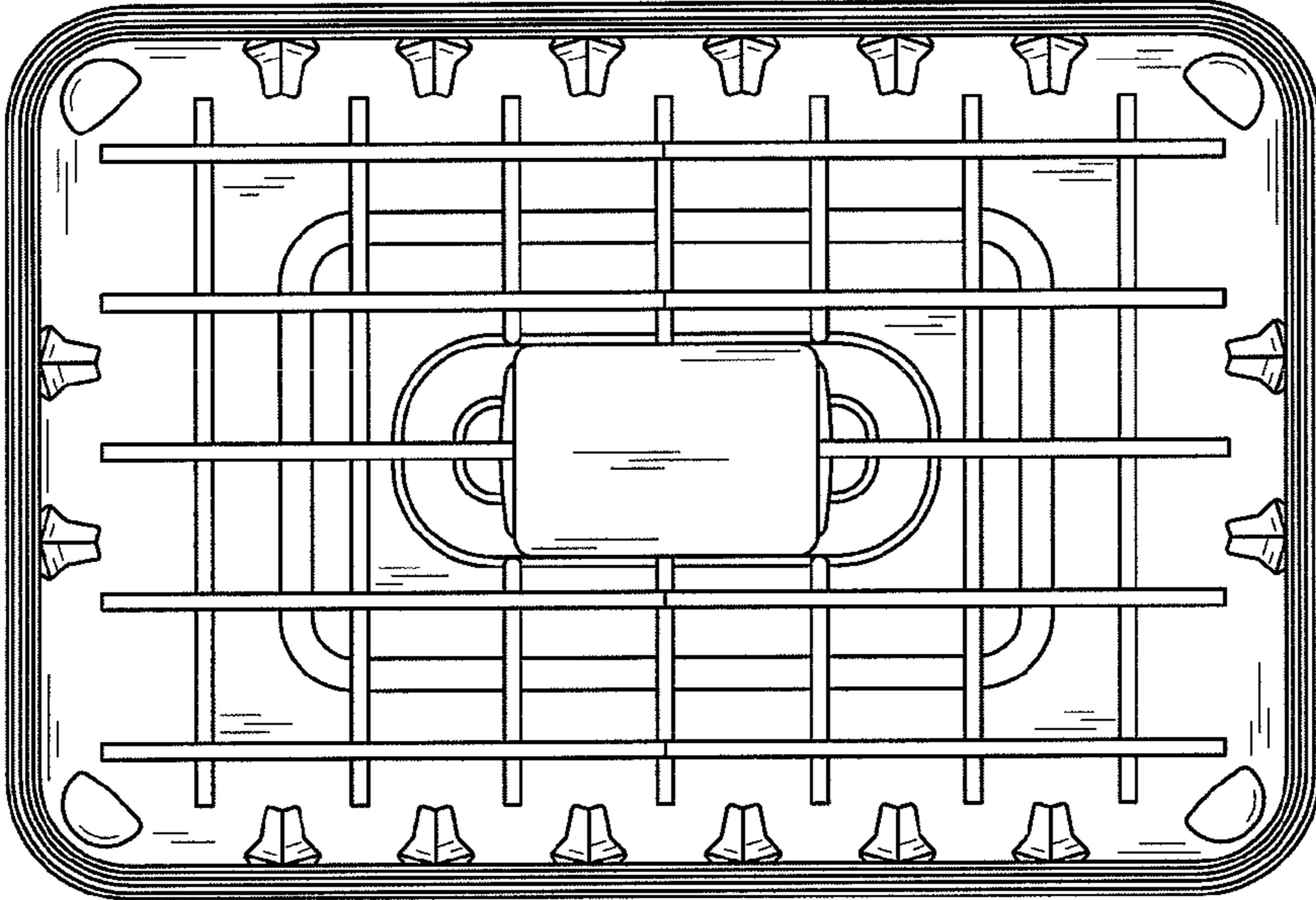


FIG.1



FIG.2

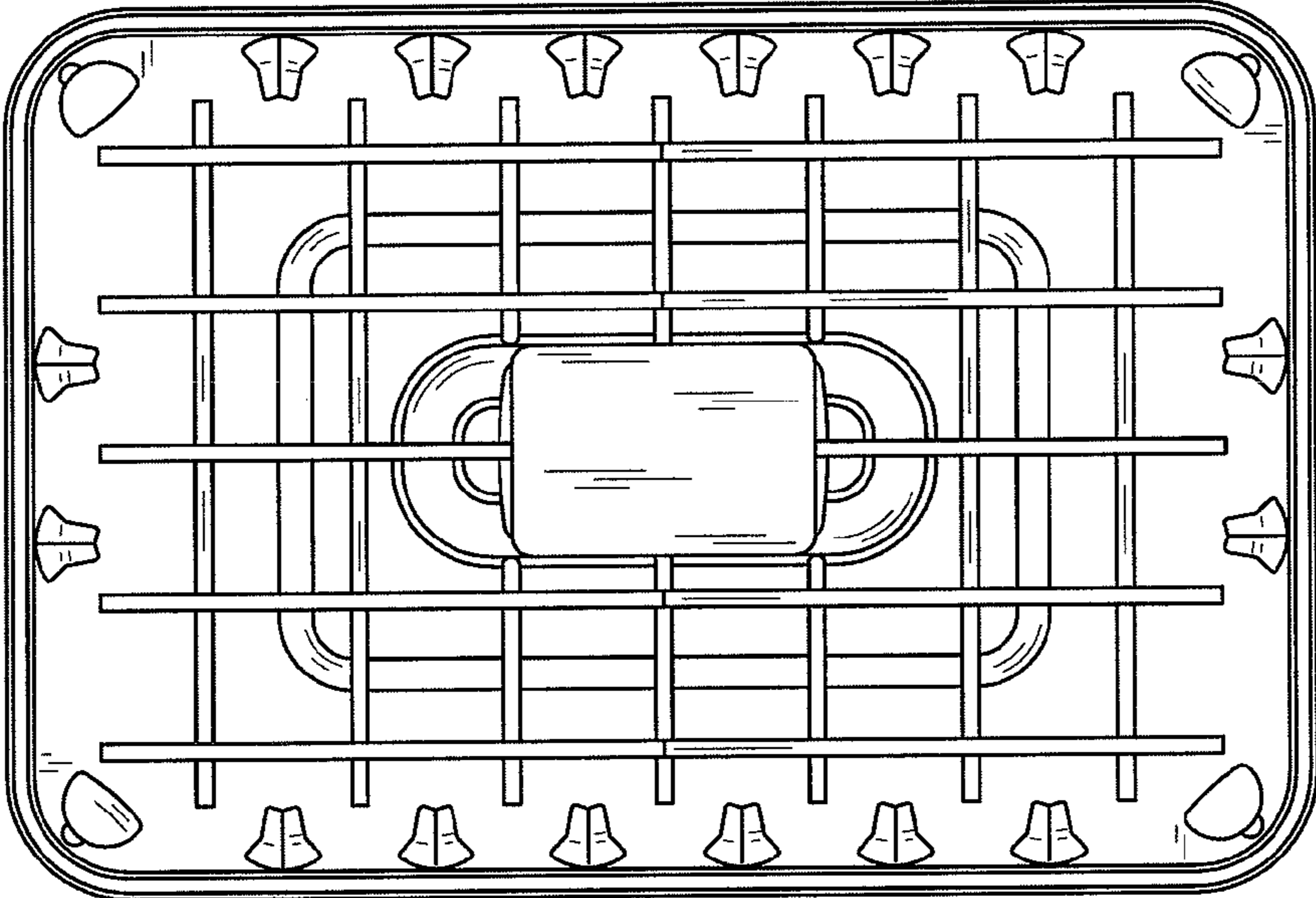


FIG.3



FIG.4

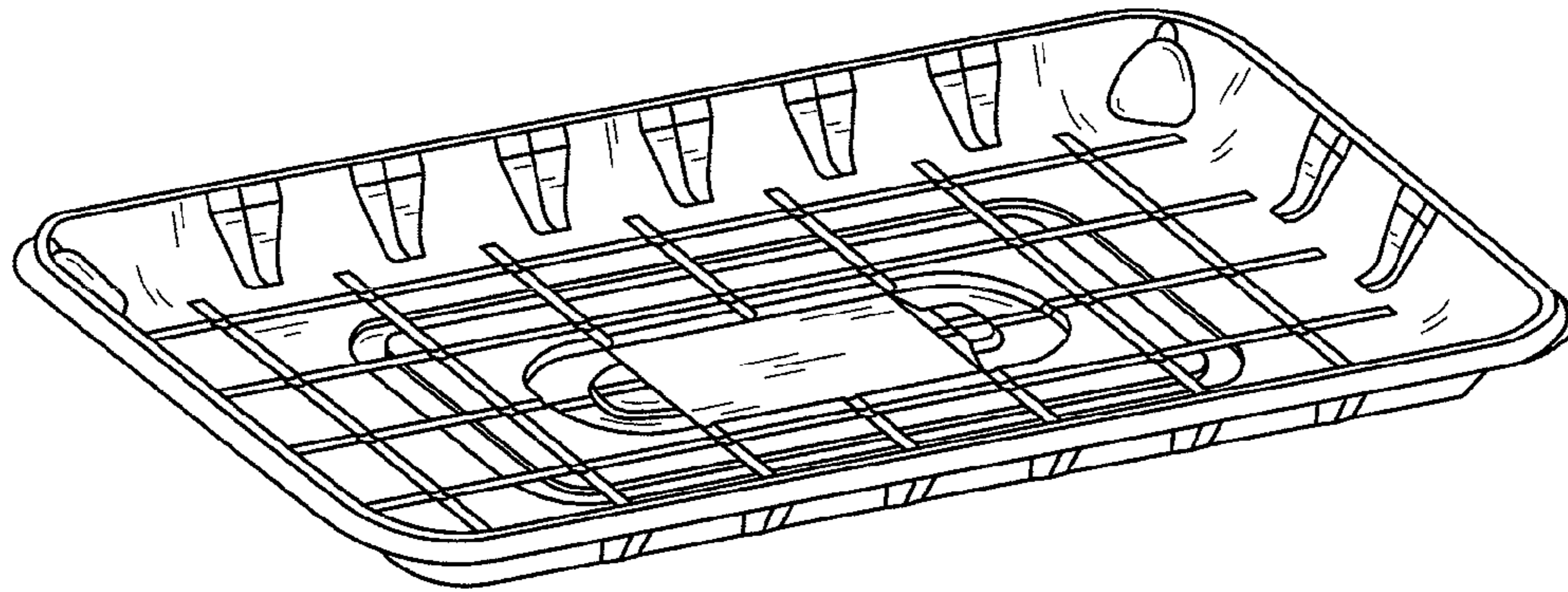


FIG. 5

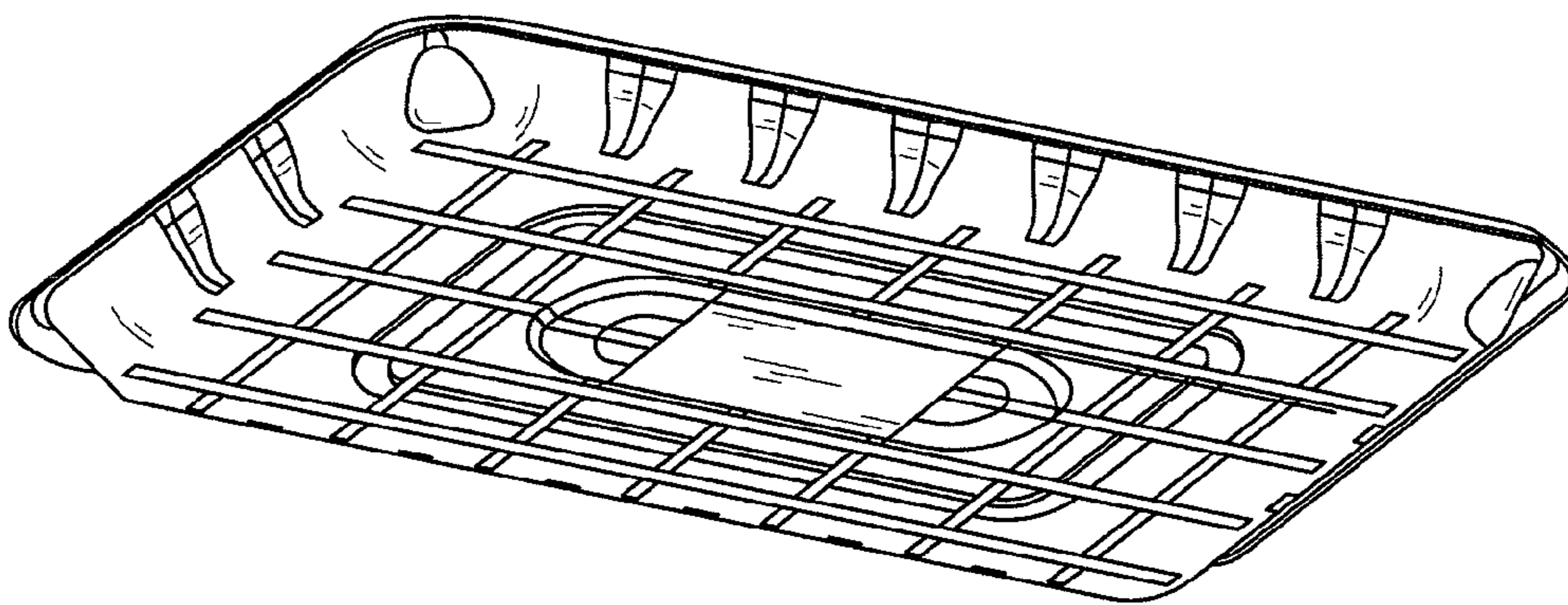


FIG. 6