



US00D734660S

(12) **United States Design Patent**
Taltos

(10) **Patent No.:** **US D734,660 S**

(45) **Date of Patent:** **** Jul. 21, 2015**

(54) **WATER OUTLET TREATMENT BAG
RETAINING STRAP**

(71) Applicant: **Tani Taltos**, Longwood, FL (US)

(72) Inventor: **Tani Taltos**, Longwood, FL (US)

(**) Term: **14 Years**

(21) Appl. No.: **29/465,174**

(22) Filed: **Aug. 25, 2013**

(51) **LOC (10) Cl.** **08-08**

(52) **U.S. Cl.**
USPC **D8/396**

(58) **Field of Classification Search**
USPC D8/349, 354-355, 373, 380, 382-383,
D8/394, 396; D13/102, 118, 149, 154,
D13/155, 184, 199
CPC A61J 17/00; A61J 17/02; A61J 9/0669;
B65D 33/1616; Y10T 24/153
See application file for complete search history.

(56) **References Cited**

U.S. PATENT DOCUMENTS

1,488,743 A * 4/1924 Eggers 607/112
3,363,293 A * 1/1968 Nemrod et al. 24/30.5 P

D513,973 S * 1/2006 Cheung D8/394
D672,230 S * 12/2012 Laverack et al. D8/396
D681,339 S * 5/2013 Edwards D3/318
2008/0006660 A1 * 1/2008 Scheiter 224/232
2012/0083842 A1 * 4/2012 Barton 606/235

* cited by examiner

Primary Examiner — Karen E Kearney

Assistant Examiner — Nathaniel D Buckner

(74) *Attorney, Agent, or Firm* — Edward P Dutkiewicz

(57) **CLAIM**

The ornamental design for a water outlet treatment bag retaining strap, as shown and described.

DESCRIPTION

FIG. 1 is a top plan view of the water outlet treatment bag retaining strap, showing my new design;
FIG. 2 is a bottom plan view thereof;
FIG. 3 is a left side elevational view thereof;
FIG. 4 is a right side elevational view thereof;
FIG. 5 is front side elevational view thereof;
FIG. 6 is rear side elevational thereof; and,
FIG. 7 is a perspective view of the water outlet treatment bag retaining strap.

1 Claim, 3 Drawing Sheets

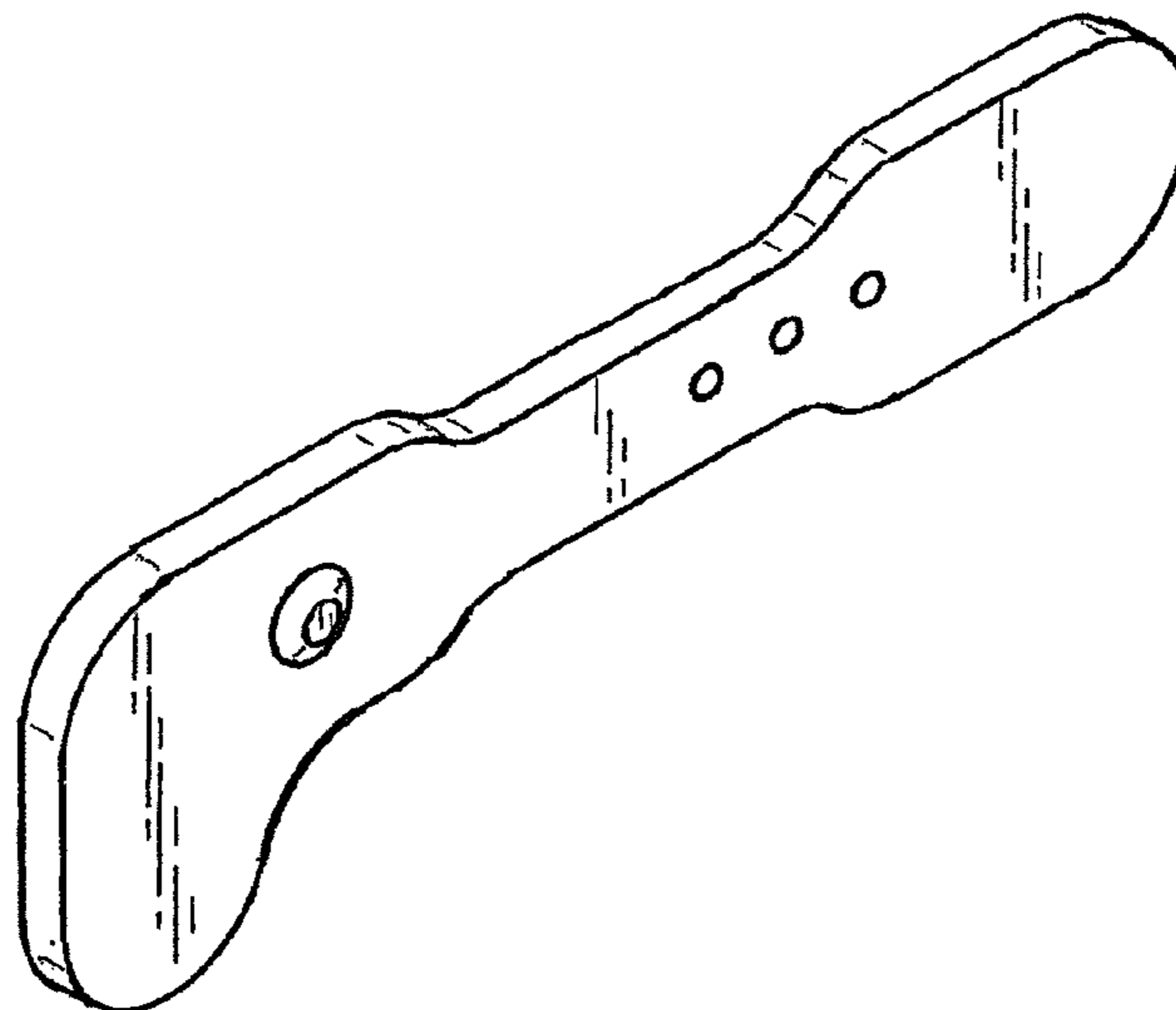
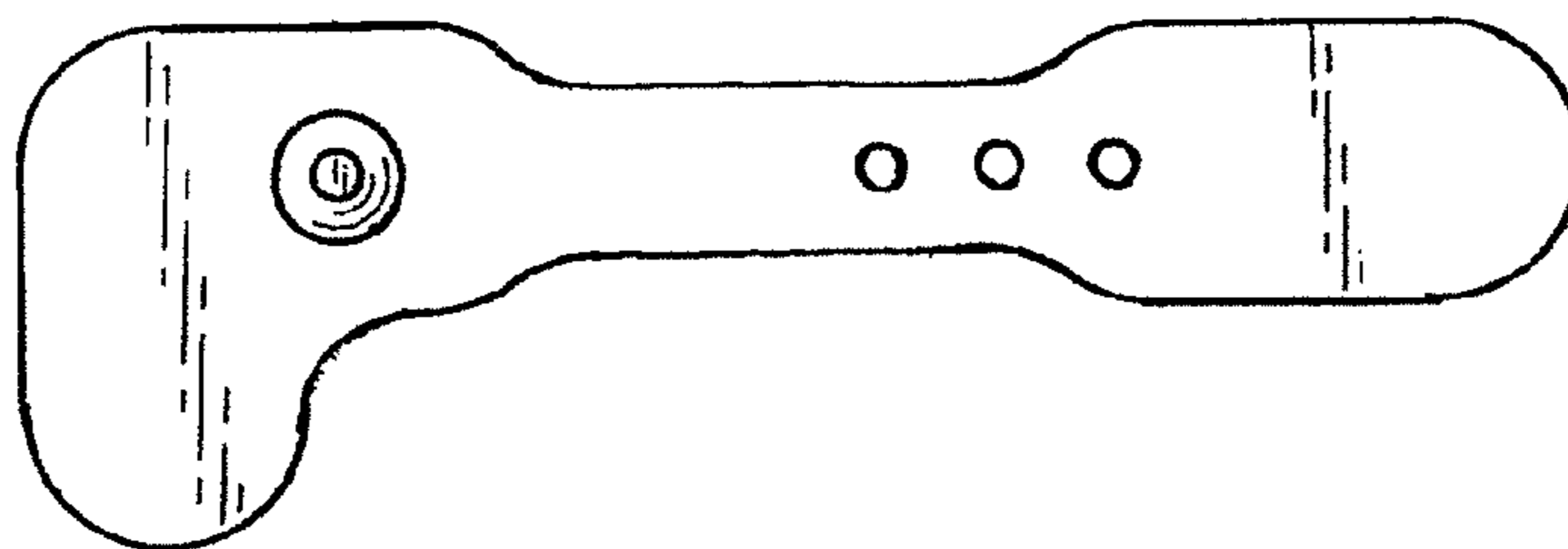


FIG. 1

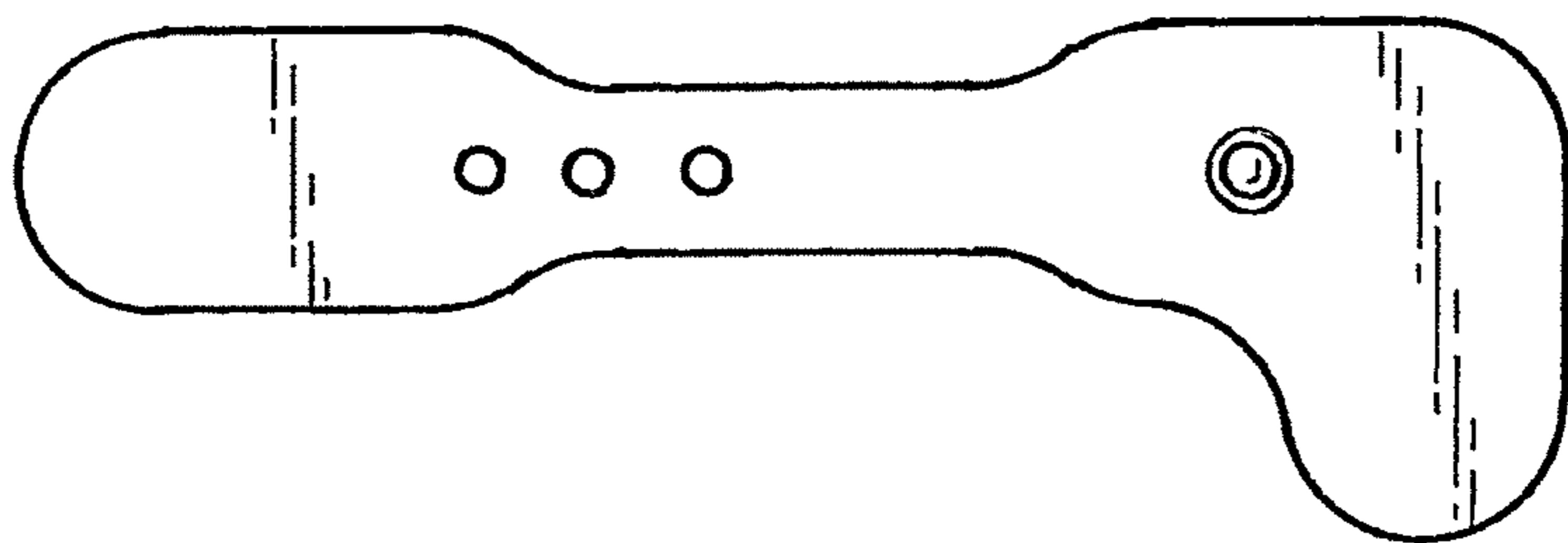
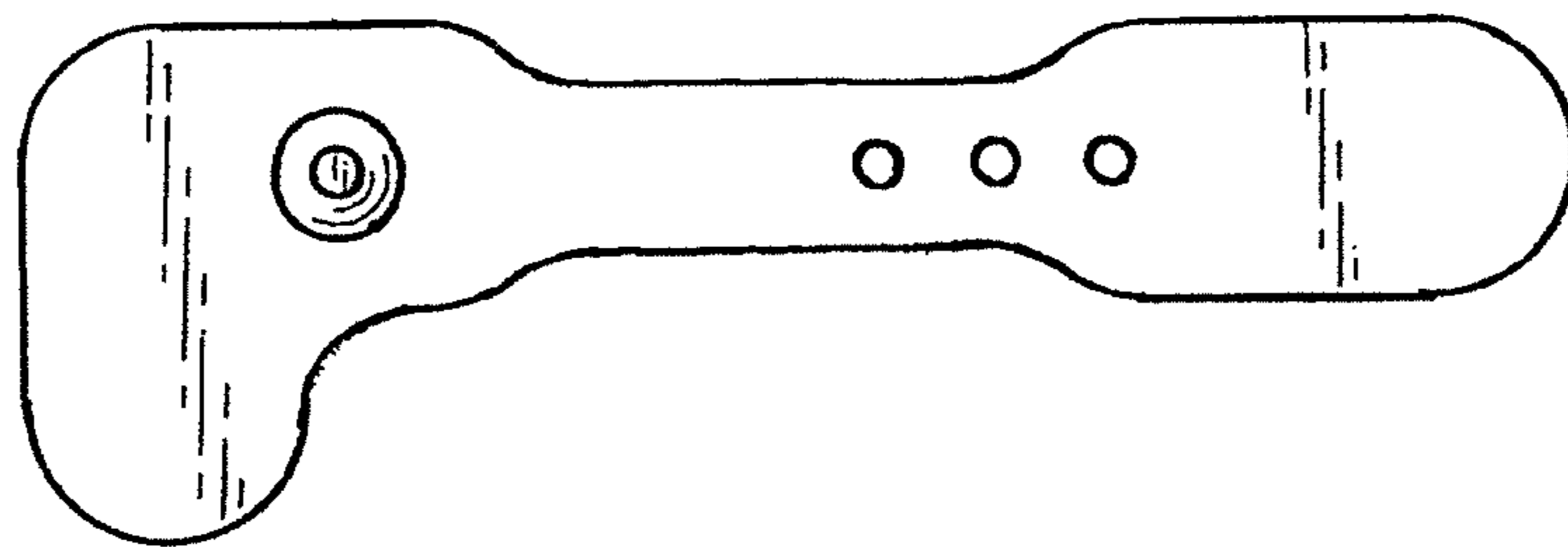


FIG. 2

FIG. 3

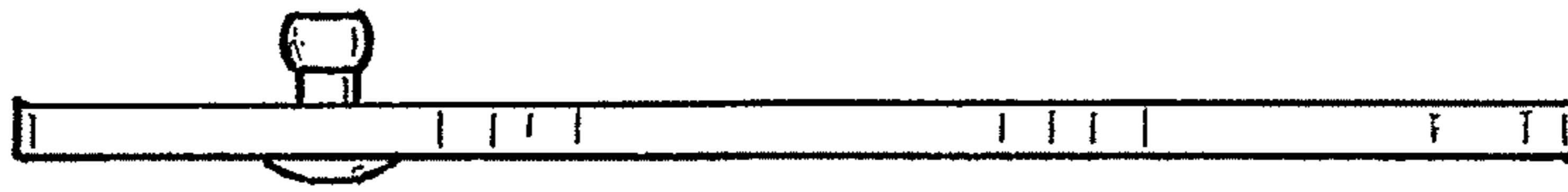


FIG. 4

FIG. 5



FIG. 6

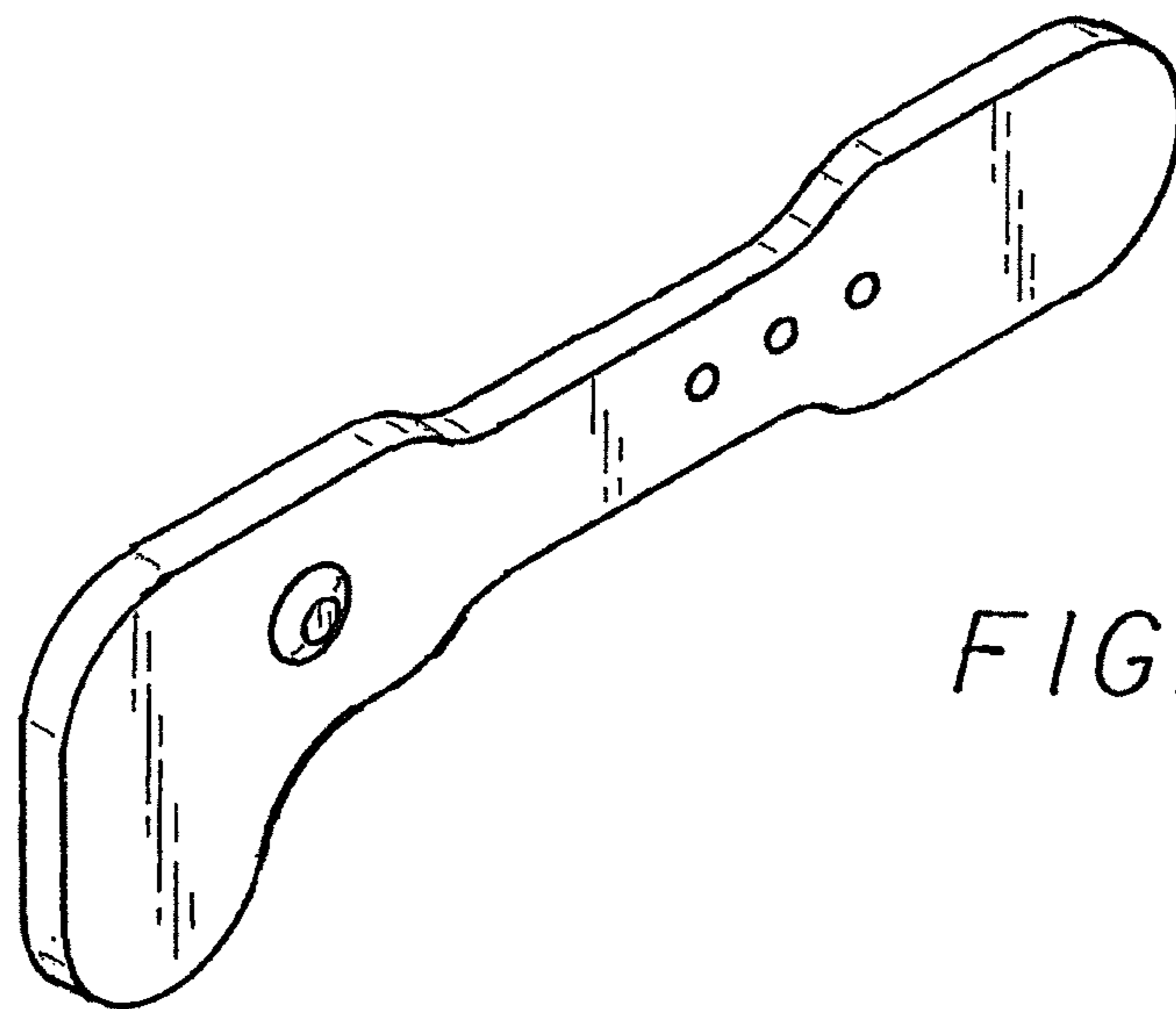
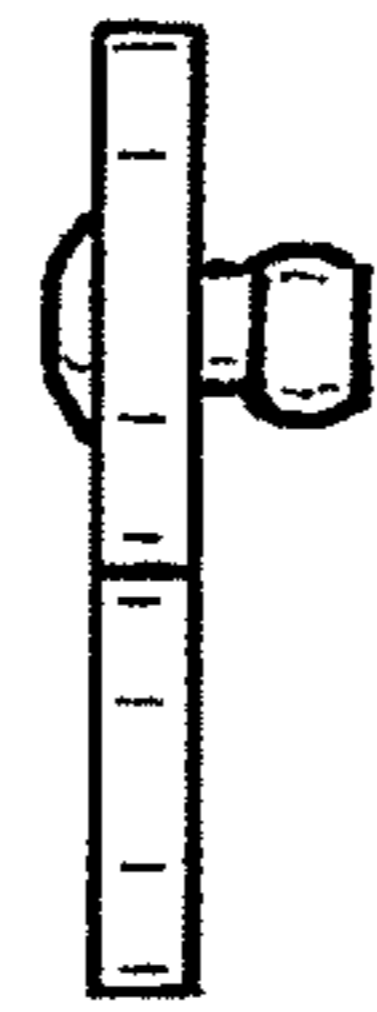


FIG. 7