



US00D734659S

(12) **United States Design Patent**
Ziaylek et al.

(10) **Patent No.:** **US D734,659 S**
(45) **Date of Patent:** **** Jul. 21, 2015**

- (54) **TANK RETAINING BRACKET**
- (71) Applicant: **Michael P. Ziaylek**, Yardley, PA (US)
- (72) Inventors: **Michael P. Ziaylek**, Yardley, PA (US);
W. Brian McGinty, Huntingdon Valley, PA (US)
- (73) Assignee: **Michael P. Ziaylek**, Yardley, PA (US)
- (**) Term: **14 Years**
- (21) Appl. No.: **29/463,705**
- (22) Filed: **Feb. 11, 2014**
- (51) **LOC (10) Cl.** **08-08**
- (52) **U.S. Cl.**
USPC **D8/396**; D12/133; D3/316
- (58) **Field of Classification Search**
USPC D8/354, 356, 371, 394-396; D19/65,
D19/86; D24/128; 248/74.2, 215, 227.1, 49,
248/300, 301, 316.7, 51, 489; 24/570, 3.12;
D32/61; D11/78.1; D12/133; D3/316
See application file for complete search history.

5,155,874	A *	10/1992	Kershaw	5/81.1 T
5,259,372	A	11/1993	Gross et al.		
D342,222	S *	12/1993	Cherry	D12/133
5,288,001	A *	2/1994	Locarno	224/407
D357,217	S	4/1995	Shirley		
D393,795	S	4/1998	Bernstein		
6,220,557	B1	4/2001	Ziaylek et al.		
6,543,736	B2	4/2003	Field		
6,830,226	B2	12/2004	Field et al.		
D528,904	S	9/2006	Reding		
7,188,855	B1	3/2007	Thomas		
7,370,660	B2 *	5/2008	Hamilton et al.	135/67
7,373,947	B2	5/2008	Trettin et al.		
7,448,586	B2	11/2008	Ziaylek et al.		
7,699,128	B1 *	4/2010	Strauss	180/65.1
D618,356	S	6/2010	Ross		
D620,783	S	8/2010	Ziaylek		
7,865,984	B2	1/2011	Merritt		
8,100,307	B2	1/2012	Chinn et al.		
8,220,764	B2	7/2012	Ziaylek		
8,608,038	B2 *	12/2013	Katchen et al.	224/407
2008/0190947	A1	8/2008	Bourgraf		
2014/0076910	A1 *	3/2014	McConnell	220/737

* cited by examiner

Primary Examiner — John Windmuller
(74) *Attorney, Agent, or Firm* — Fox Rothschild LLP

(56) **References Cited**

U.S. PATENT DOCUMENTS

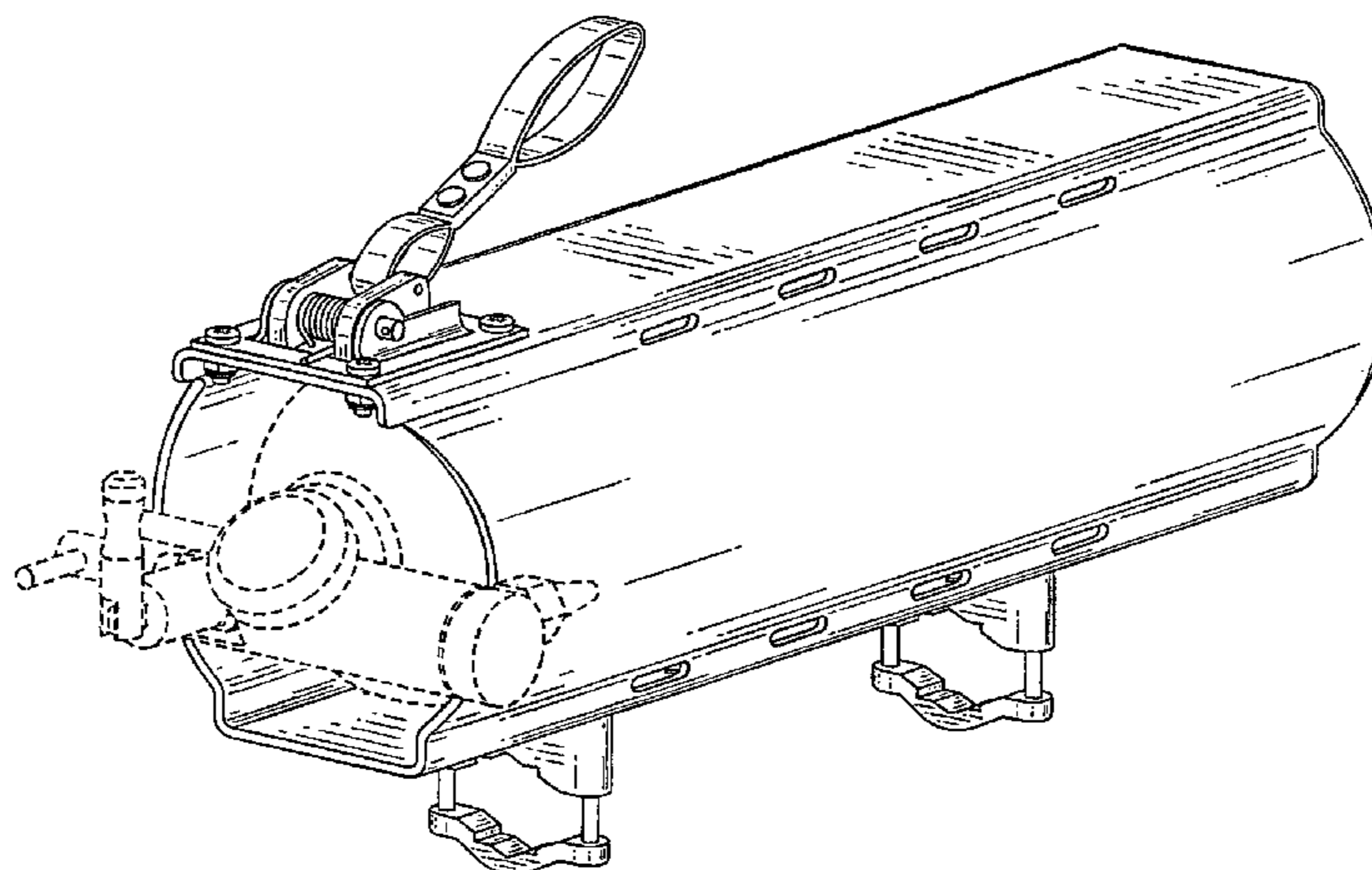
1,540,576	A	7/1925	Erwin et al.		
3,304,116	A	2/1967	Stryker		
3,761,968	A	10/1973	Besler		
3,817,435	A	6/1974	De Luca et al.		
3,857,598	A	12/1974	Jelich		
4,045,044	A	8/1977	Bierer		
4,073,317	A	2/1978	Ellis		
4,213,648	A	7/1980	Steichen		
4,383,528	A	5/1983	Eppolito		
4,606,521	A	8/1986	Williams		
4,768,241	A	9/1988	Beney		
4,861,059	A *	8/1989	Shirk	280/304.1
D305,629	S *	1/1990	Wood	D12/133
D319,778	S	9/1991	Ziaylek, Jr.		
D329,895	S *	9/1992	Chumsae	D23/393

(57) **CLAIM**
The ornamental design for a tank retaining bracket, as shown.

DESCRIPTION

FIG. 1 is a front perspective view of a tank retaining bracket showing our new design;
FIG. 2 is a left side elevation view thereof;
FIG. 3 is a right side elevation view thereof;
FIG. 4 is a rear elevation view thereof;
FIG. 5 is a front elevation view thereof;
FIG. 6 is a top plan view thereof; and,
FIG. 7 is a bottom plan view thereof.
The broken lines in FIG. 1 depict environmental subject matter only and form no part of the claimed design.

1 Claim, 7 Drawing Sheets



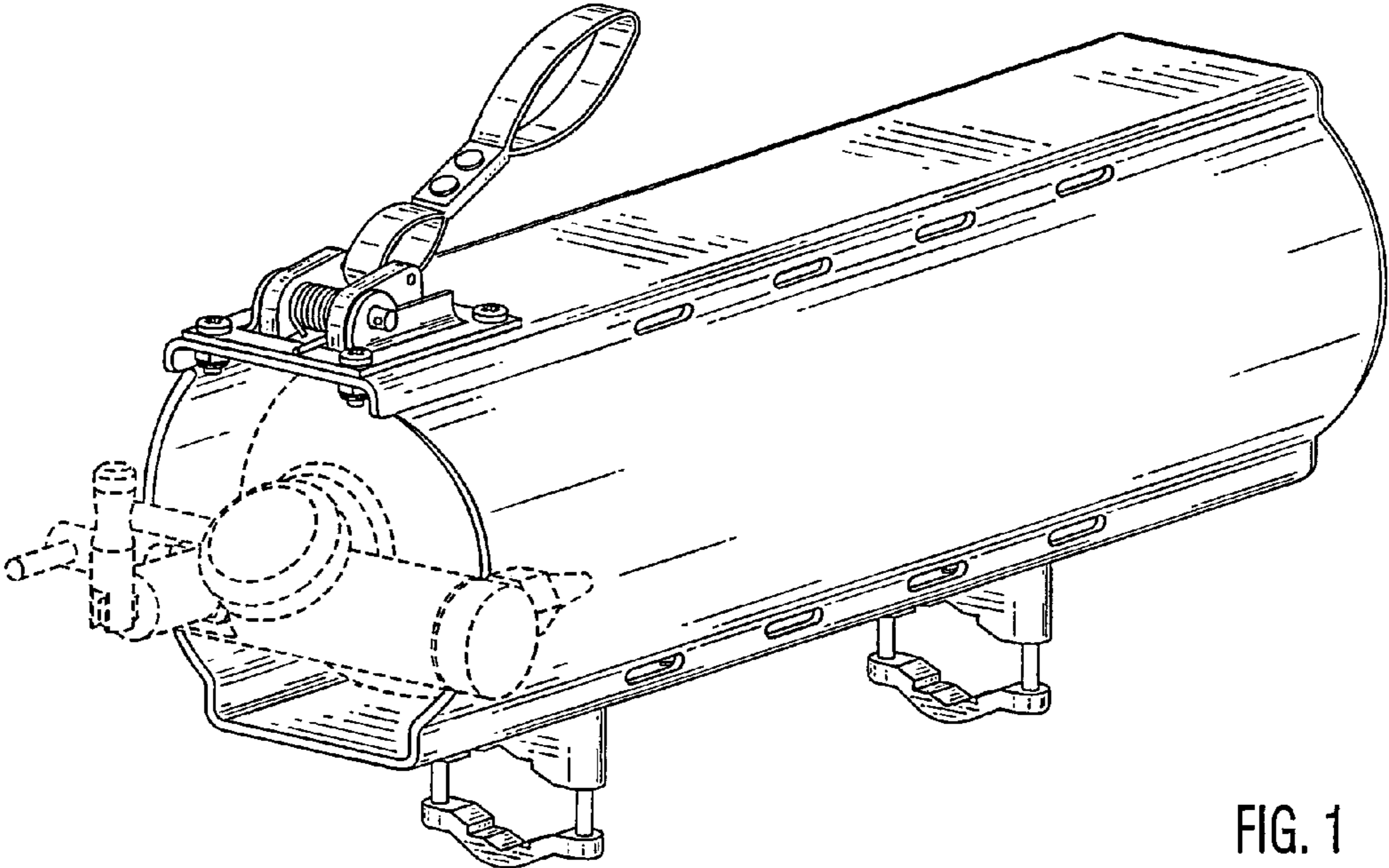


FIG. 1

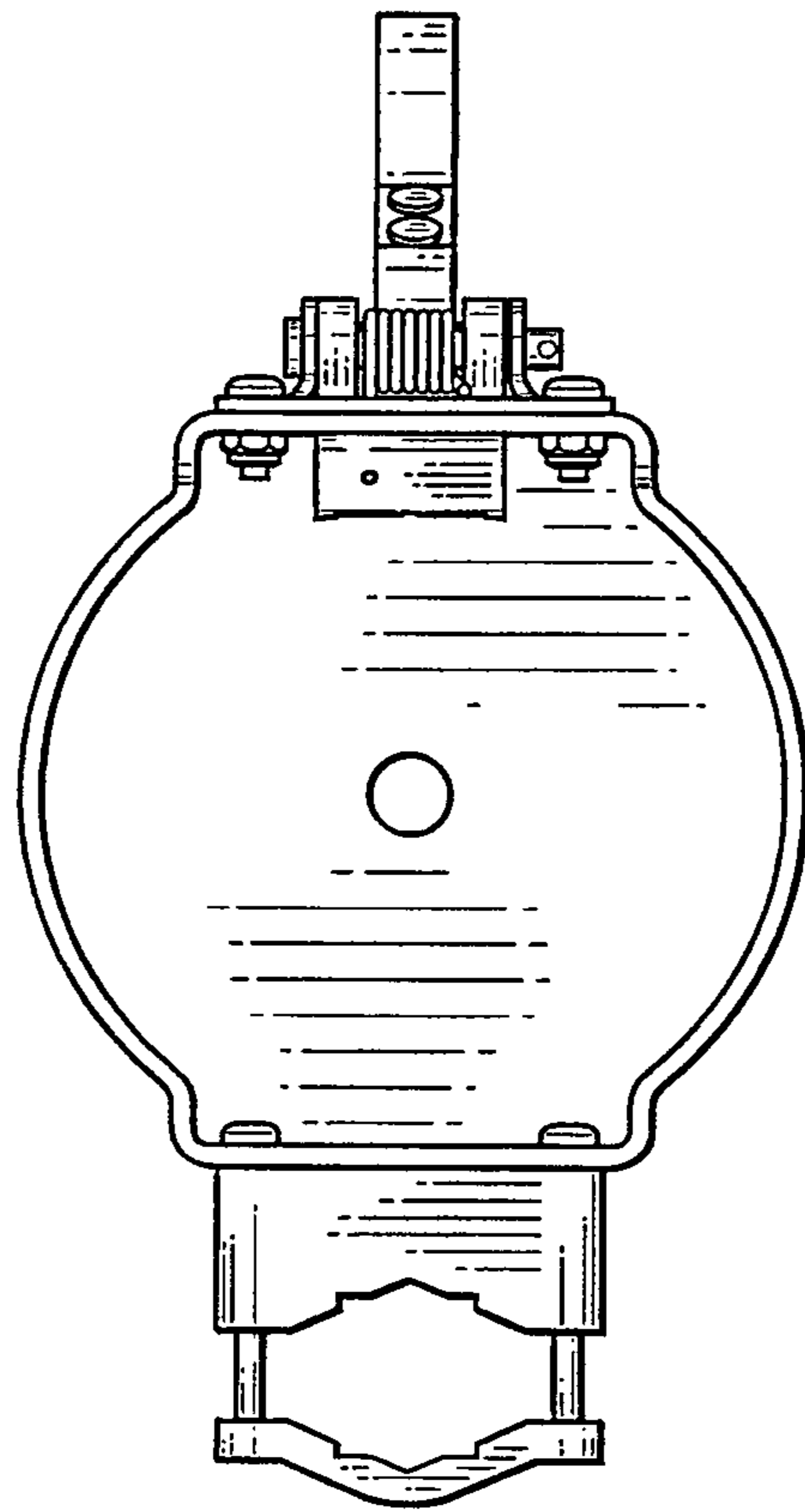


FIG. 2

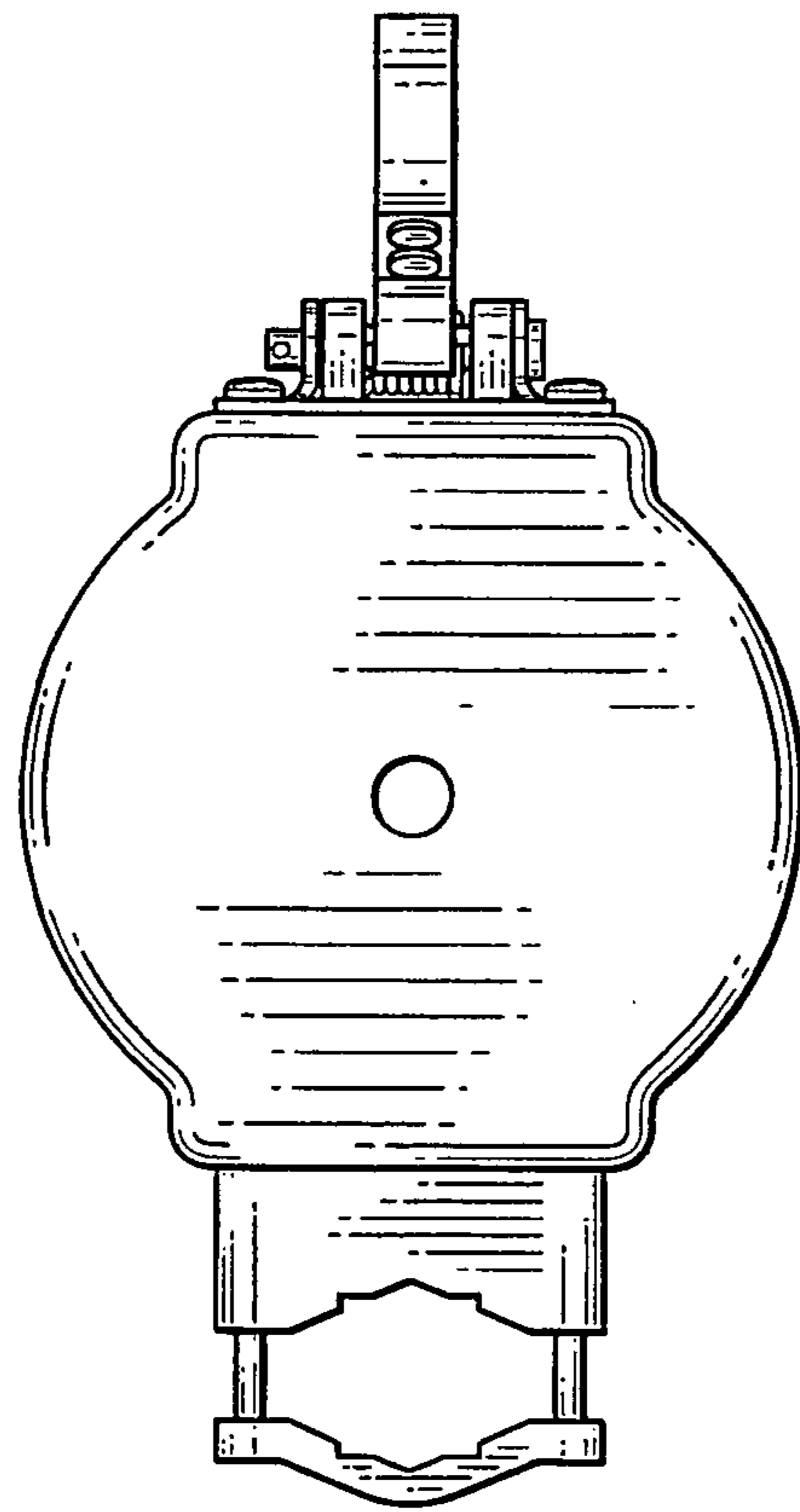


FIG. 3

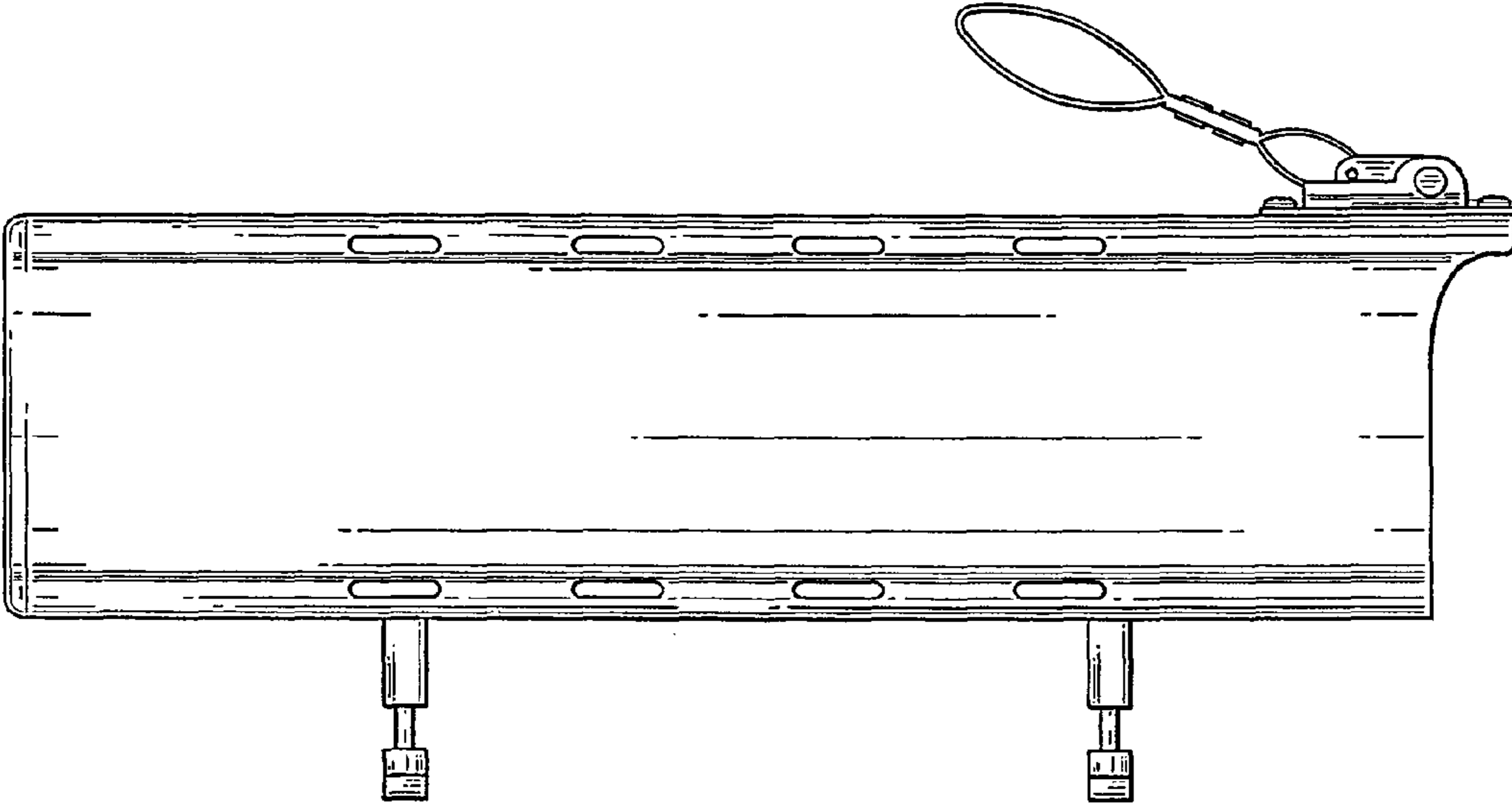


FIG. 4

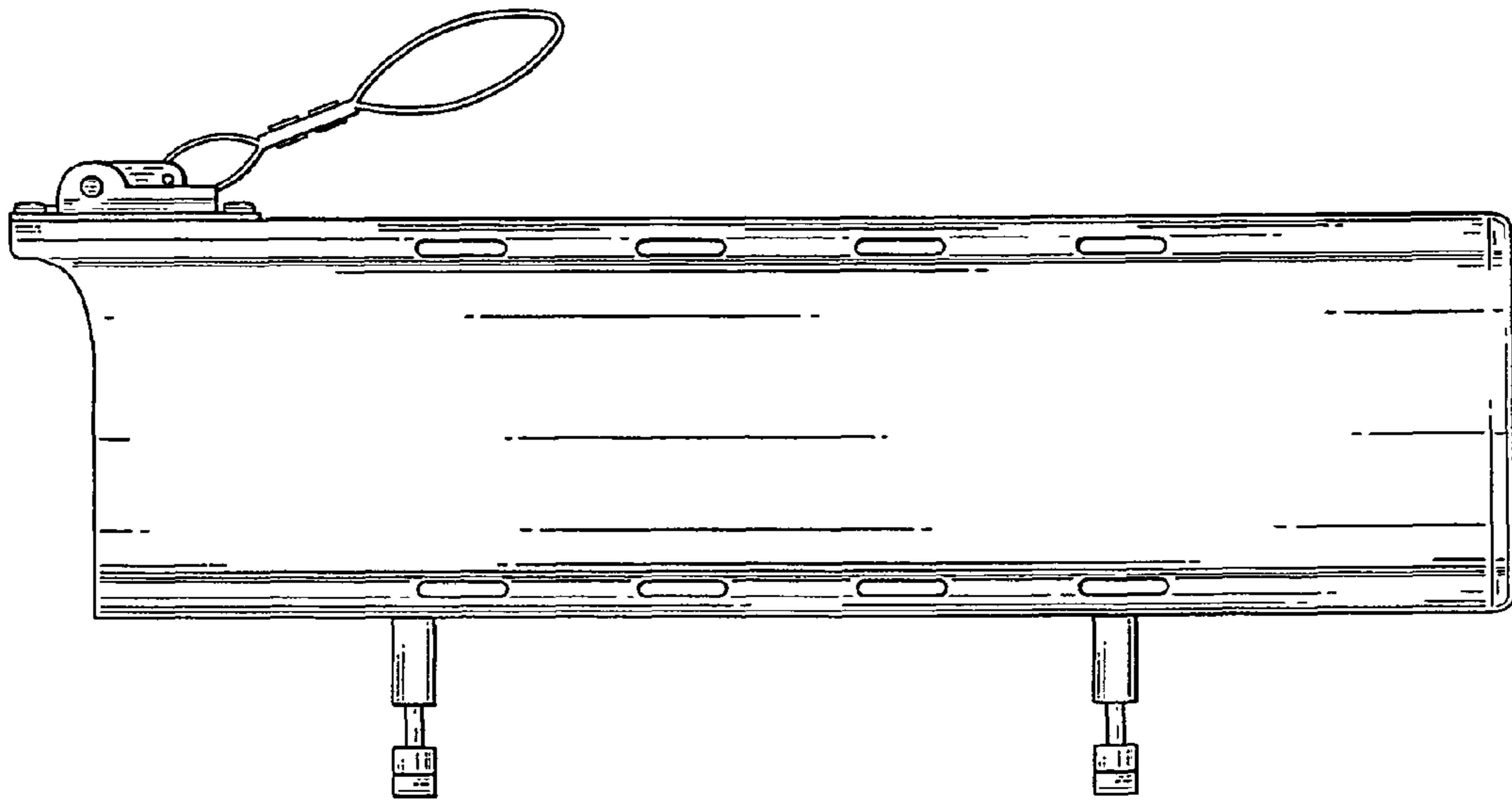


FIG. 5

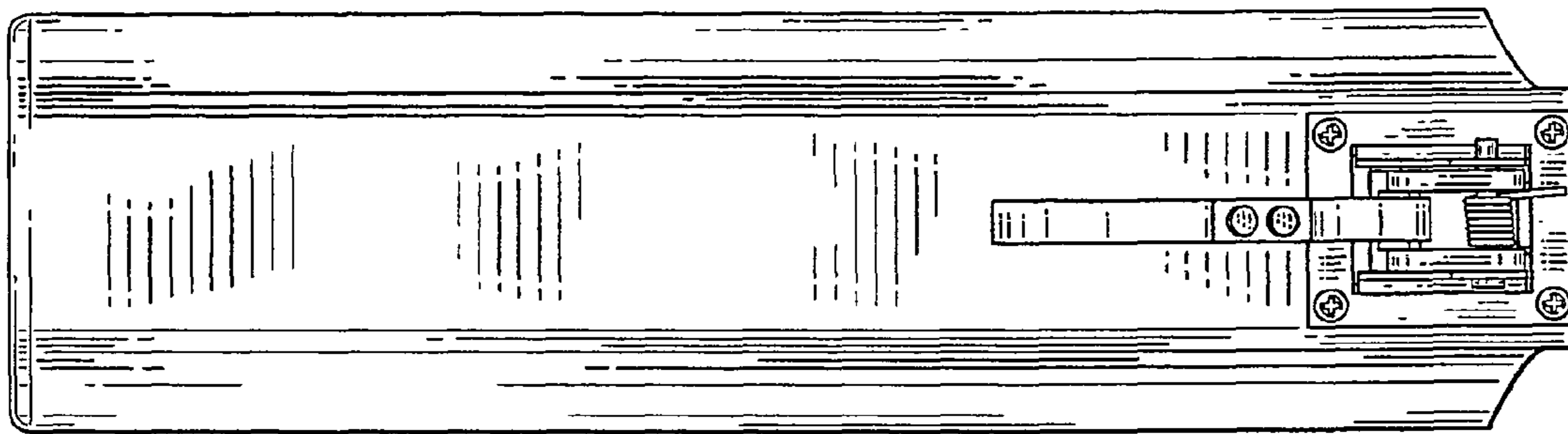


FIG. 6

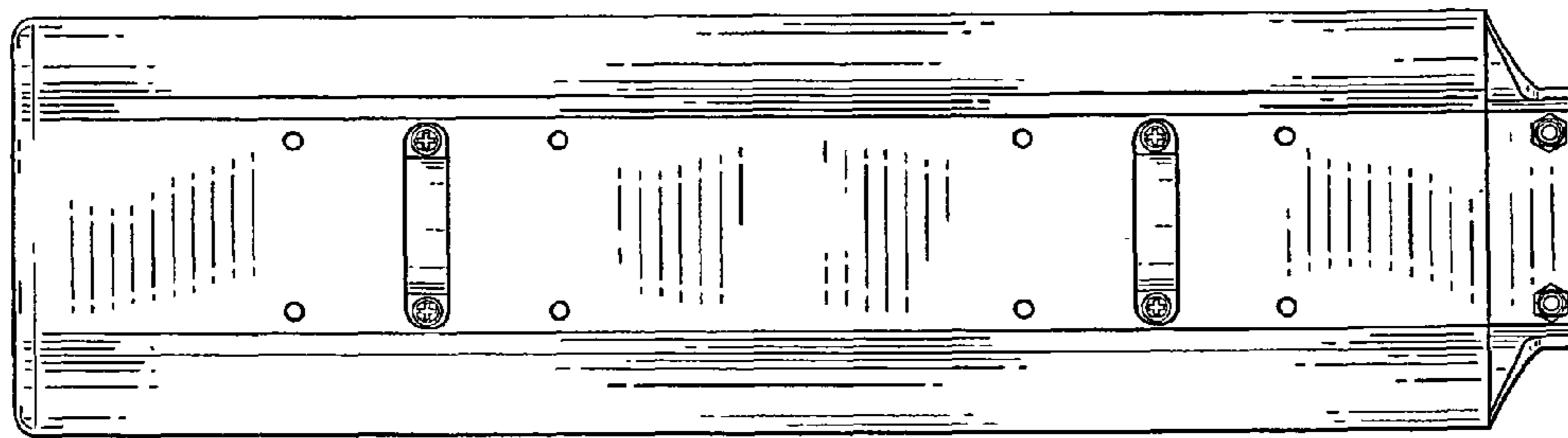


FIG. 7