



US00D734658S

(12) **United States Design Patent**
Prezner

(10) **Patent No.:** **US D734,658 S**
(45) **Date of Patent:** **** Jul. 21, 2015**

(54) **ROD BRACKET**

(71) Applicant: **Ronald Prezner**, Valhalla, NY (US)

(72) Inventor: **Ronald Prezner**, Valhalla, NY (US)

(**) Term: **14 Years**

(21) Appl. No.: **29/443,242**

(22) Filed: **Jan. 15, 2013**

Related U.S. Application Data

(63) Continuation-in-part of application No. 13/413,266, filed on Mar. 6, 2012, now Pat. No. 8,359,707.

(51) **LOC (10) Cl.** **08-05**

(52) **U.S. Cl.**
USPC **D8/380; D8/349**

(58) **Field of Classification Search**
USPC D8/349, 354, 380, 378, 376; 16/10-12, 16/15; 24/17 AB, 24, 492; 248/74.4, 74.1, 248/230.5, 316.6, 511, 518, 500, 505
See application file for complete search history.

(56) **References Cited**

U.S. PATENT DOCUMENTS

87,622	A	3/1869	Gould	
304,951	A *	9/1884	Nobes	16/15
484,708	A *	10/1892	Gates	16/13
805,307	A	11/1905	Mallen	
869,492	A	10/1907	Joyner	
928,607	A	7/1909	Jackson	
1,373,148	A	3/1921	Phillips	
1,385,311	A	7/1921	Phillips	
1,624,392	A *	4/1927	Cleverly	16/14
1,624,393	A	4/1927	Clokey	
2,722,450	A	11/1955	Nelson	
2,864,644	A	12/1958	Marryatt	
3,575,458	A	4/1971	Crook et al.	
D342,437	S *	12/1993	Prezner	D8/380
D391,472	S	3/1998	Smiley et al.	
5,960,516	A	10/1999	Zoroufy et al.	
6,338,179	B1	1/2002	Blackstone	

D481,467 S 10/2003 Brice
D487,393 S 3/2004 Blackstone
6,807,788 B1 10/2004 Terry

(Continued)

OTHER PUBLICATIONS

Office Action issued by the United States Patent and Trademark office, dated Aug. 18, 2014, in connection with corresponding U.S. Appl. No. 13/788,769 (15 pages).

Primary Examiner — Mark Goodwin

(74) *Attorney, Agent, or Firm* — Brian R. Pollack; Day Pitney LLP

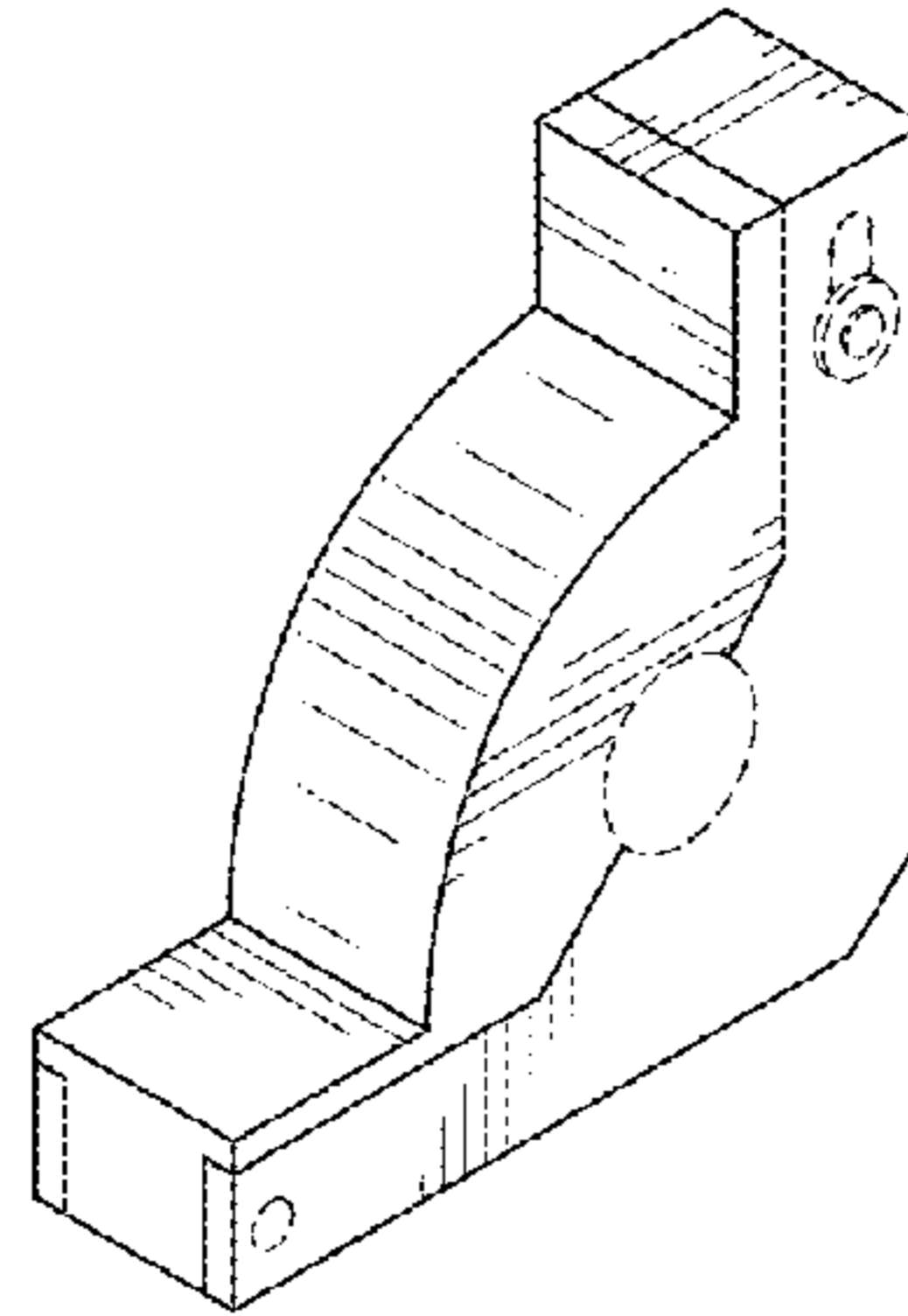
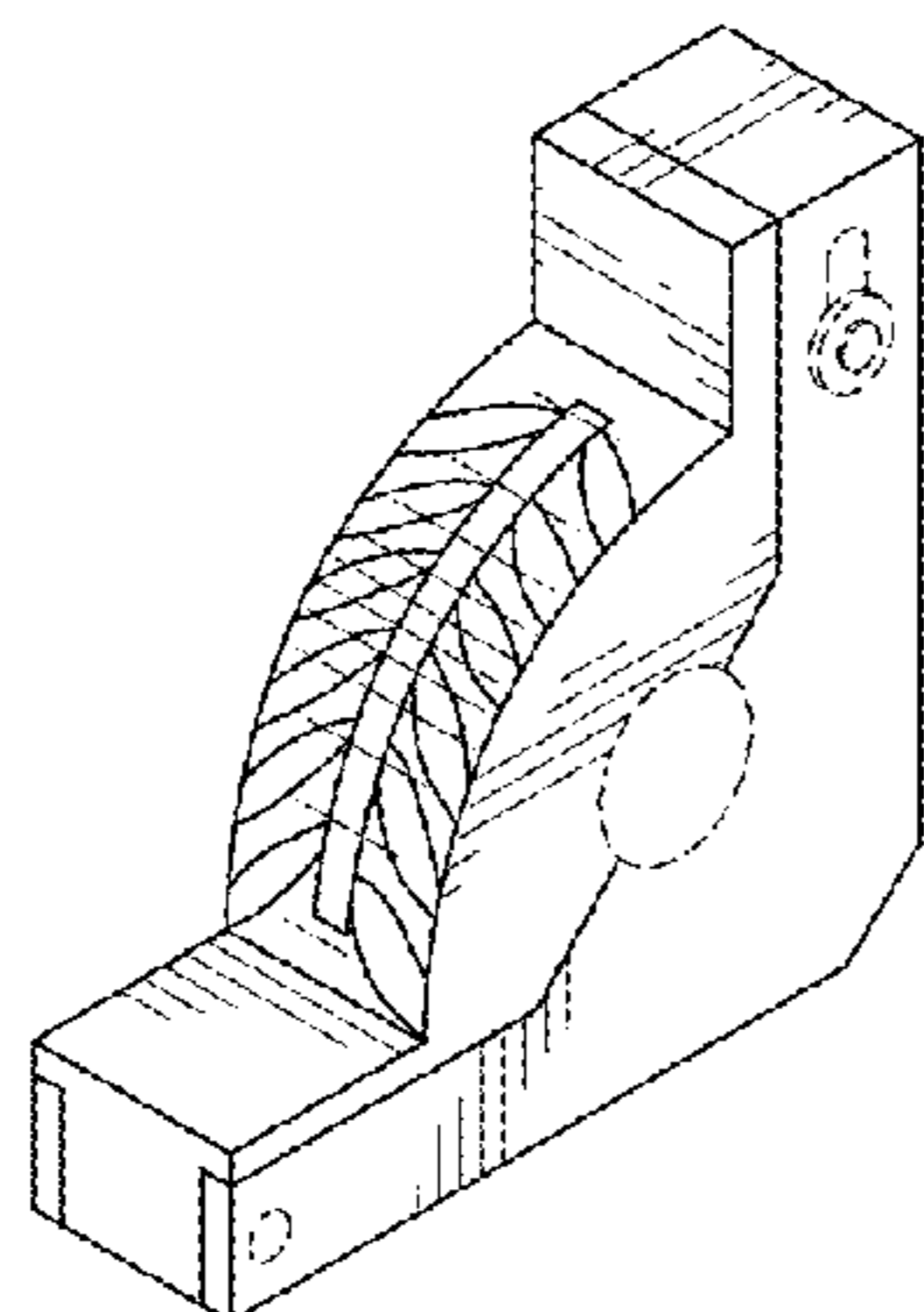
(57) **CLAIM**

The ornamental design for rod bracket, as shown and described.

DESCRIPTION

FIG. 1 is a right front perspective view of a first embodiment of a rod bracket showing my new design.
FIG. 2 is a left front perspective view thereof.
FIG. 3 is a front view thereof.
FIG. 4 is a back view thereof.
FIG. 5 is a left side view thereof.
FIG. 6 is a right side view thereof.
FIG. 7 is a top plan view thereof.
FIG. 8 is a bottom plan view thereof.
FIG. 9 is a right front perspective view of a second embodiment of a rod bracket showing my new design.
FIG. 10 is a left front perspective view thereof.
FIG. 11 is a front view thereof.
FIG. 12 is a back view thereof.
FIG. 13 is a left side view thereof.
FIG. 14 is a right side view thereof.
FIG. 15 is a top plan view thereof; and,
FIG. 16 is a bottom plan view thereof.
The broken line showing of various surface features is included for the purpose of illustrating portions of the rod bracket and forms no part of the claimed design.

1 Claim, 8 Drawing Sheets



(56)

References Cited

U.S. PATENT DOCUMENTS

6,839,936 B2 1/2005 Kaufman
D507,478 S 7/2005 Blackstone
7,080,426 B2 7/2006 Roychowdhury
D533,766 S 12/2006 Roychowdhury

D533,767 S 12/2006 Roychowdhury
7,461,431 B2 12/2008 Zoroufy
8,007,015 B2 8/2011 Coulombe
8,359,707 B1 * 1/2013 Prezner 16/12
8,925,148 B2 * 1/2015 Prezner 16/12

* cited by examiner

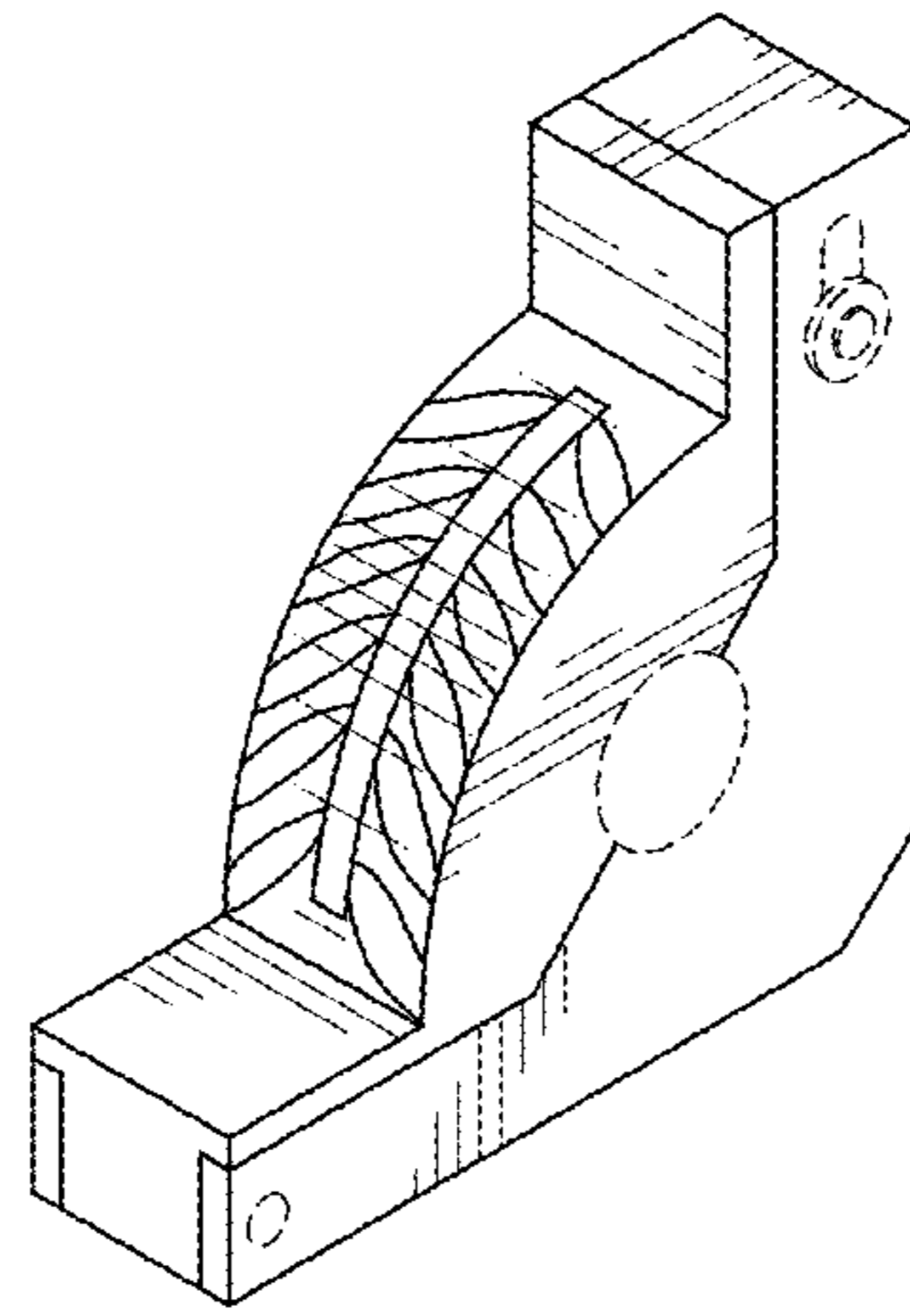


FIG. 1

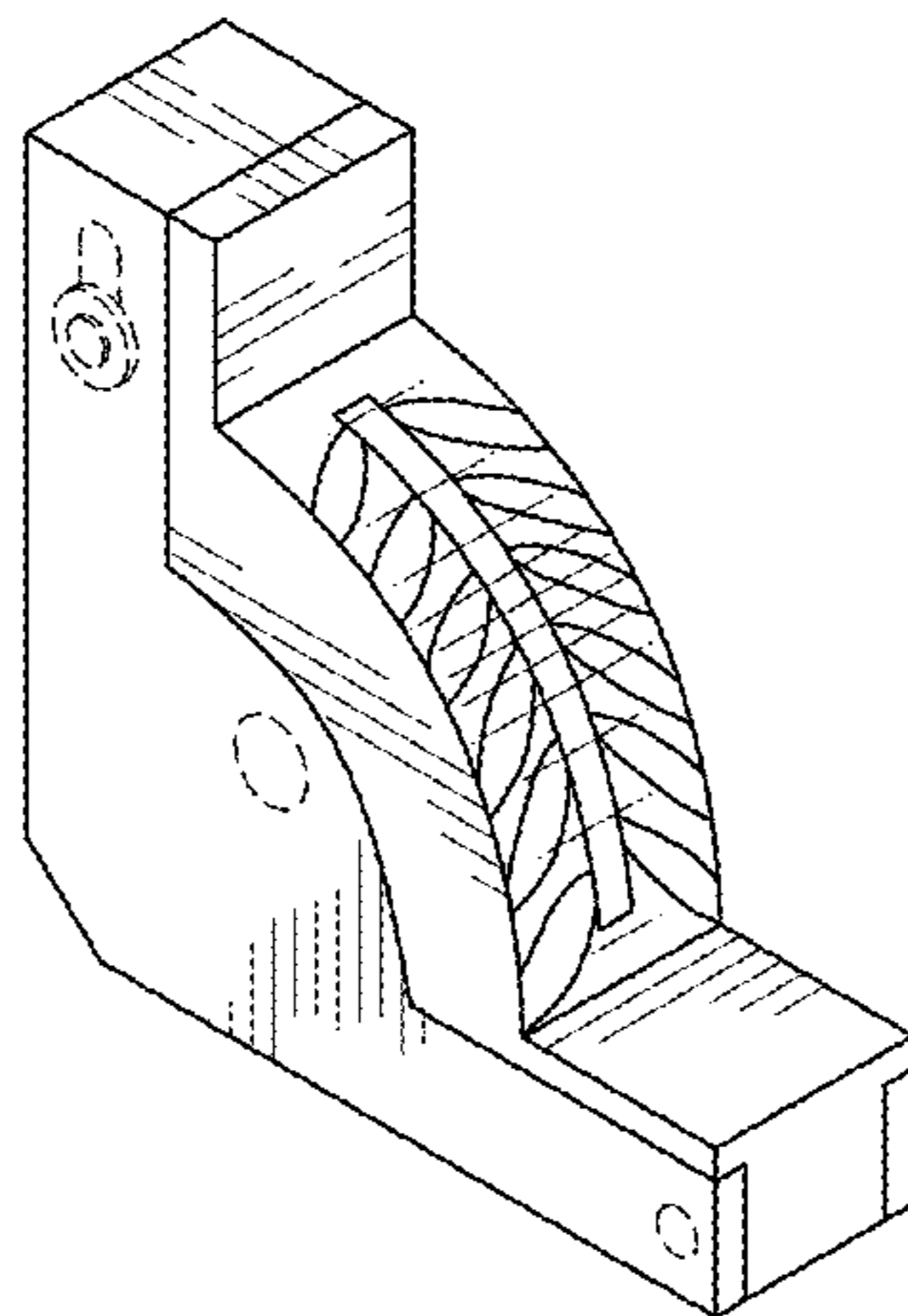


FIG. 2

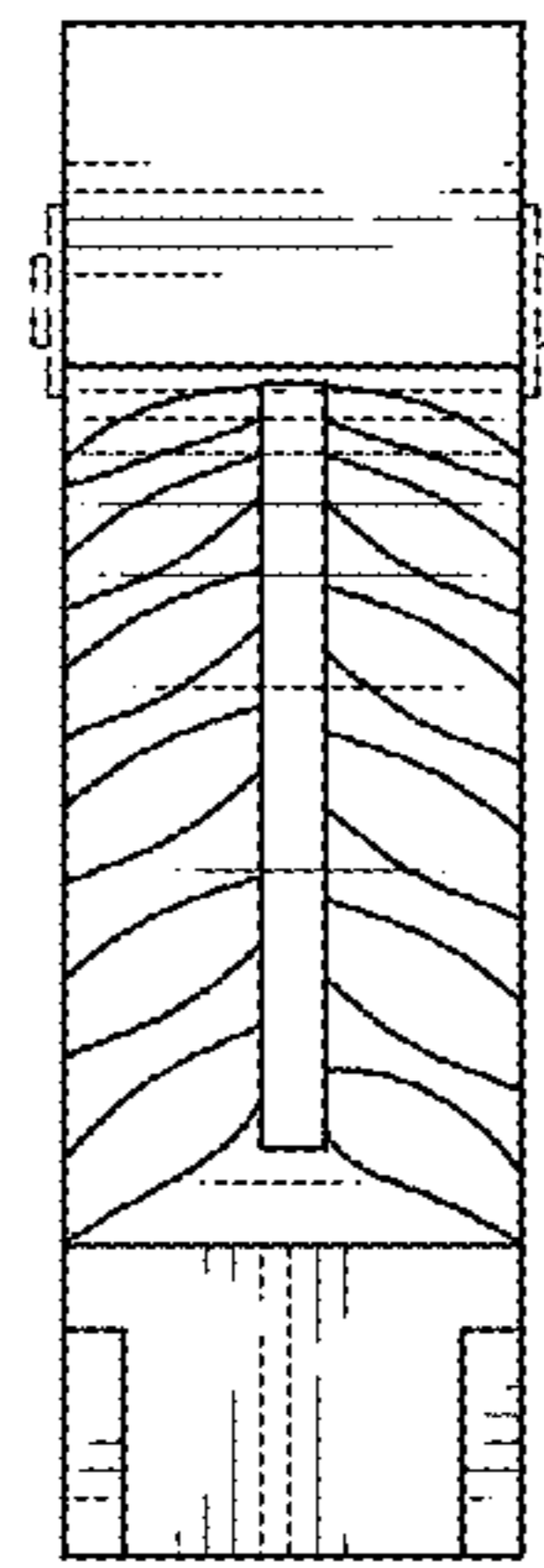


FIG. 3

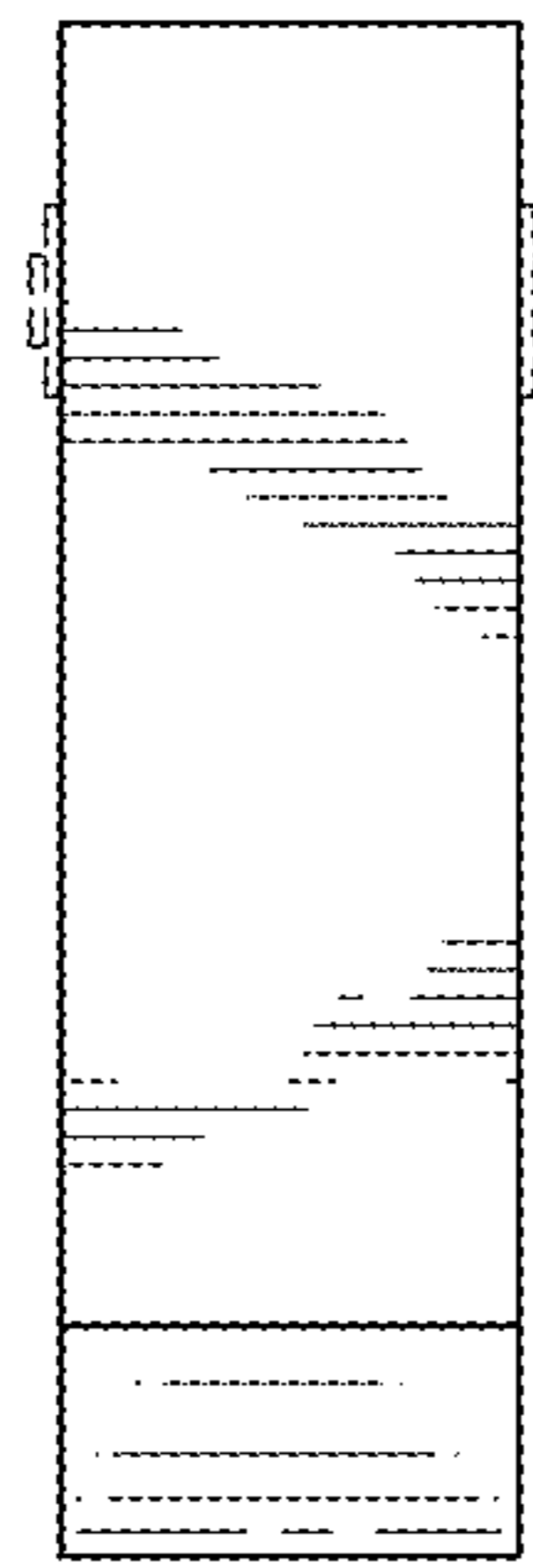


FIG. 4

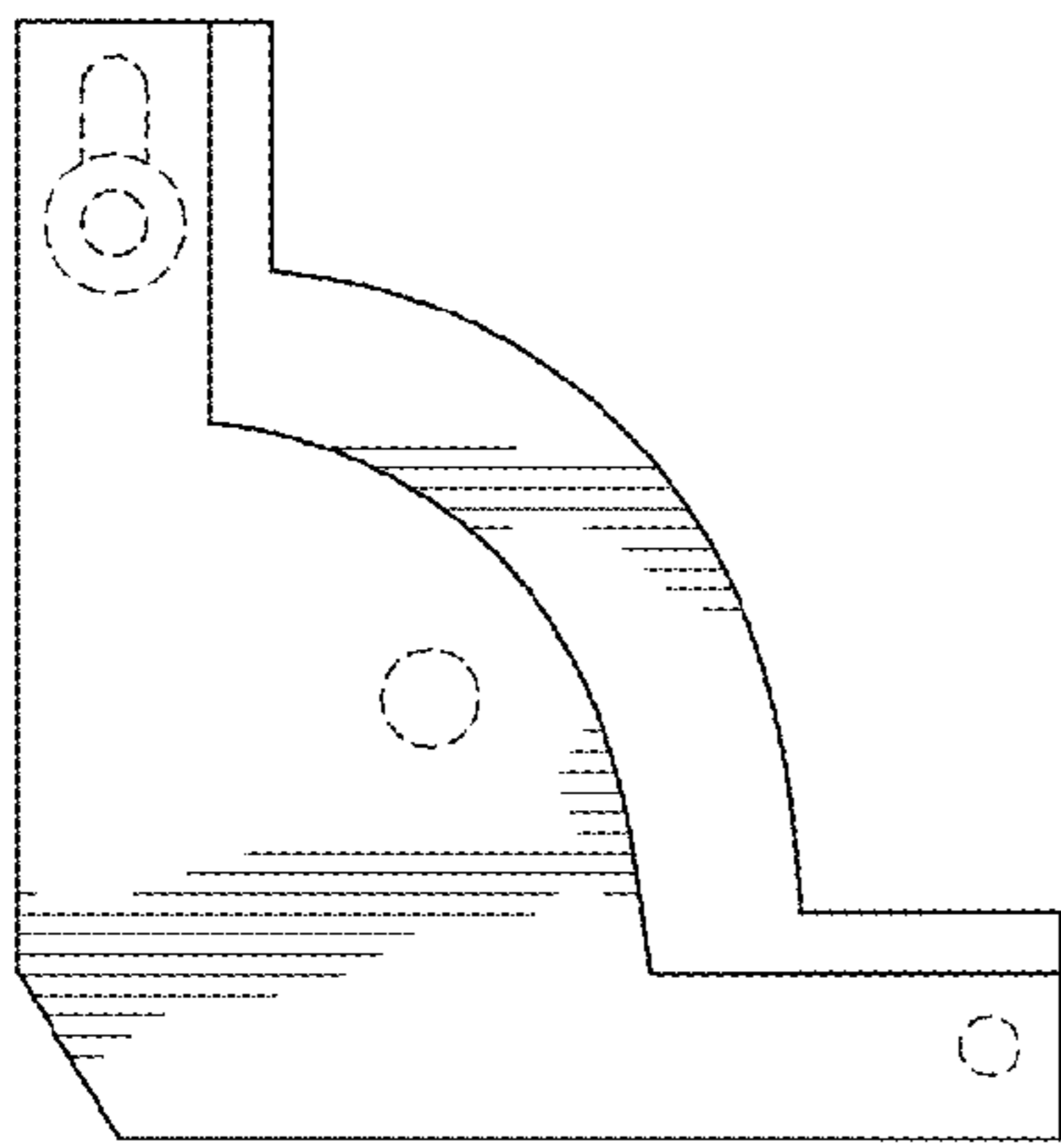


FIG. 5

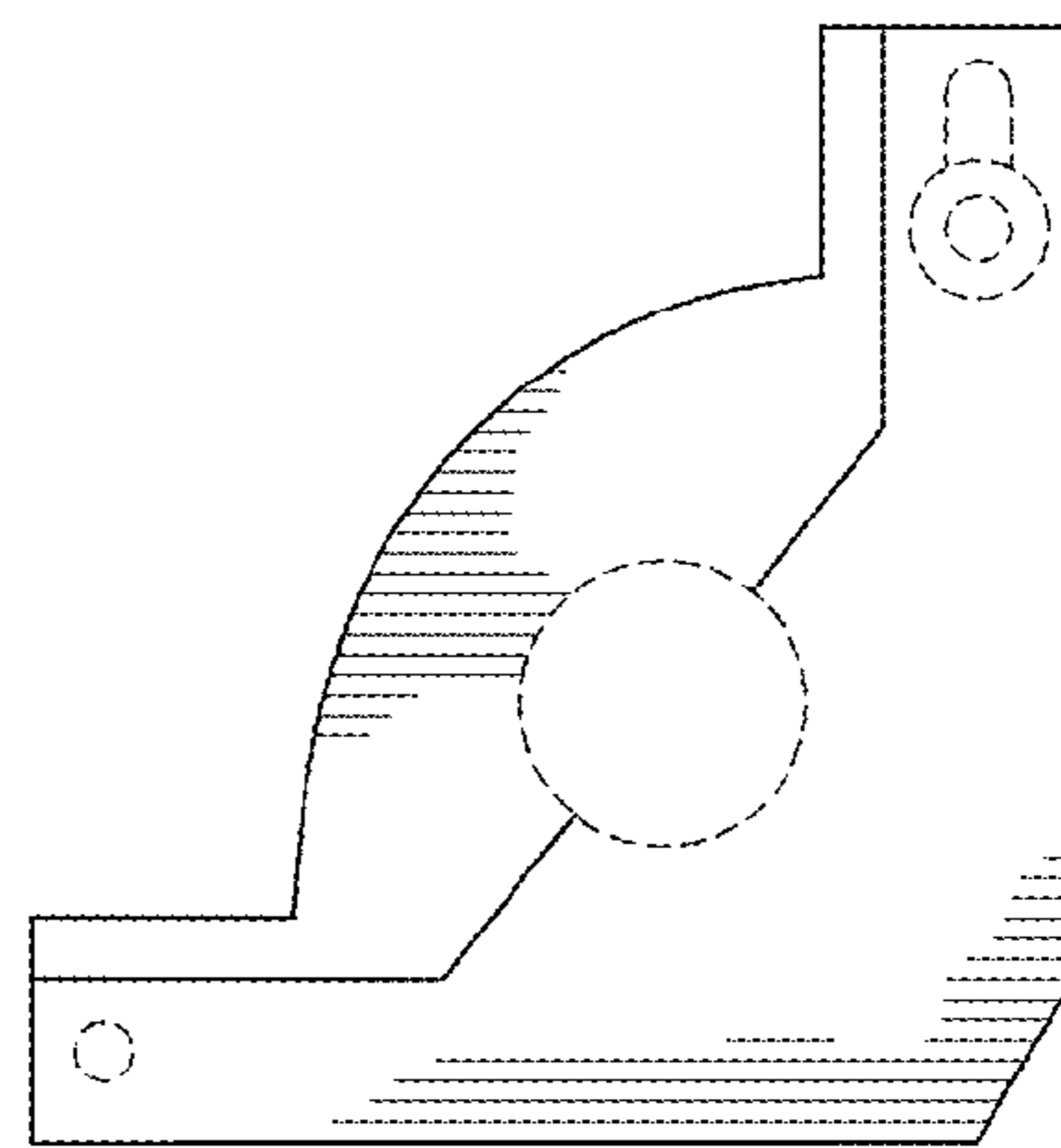


FIG. 6

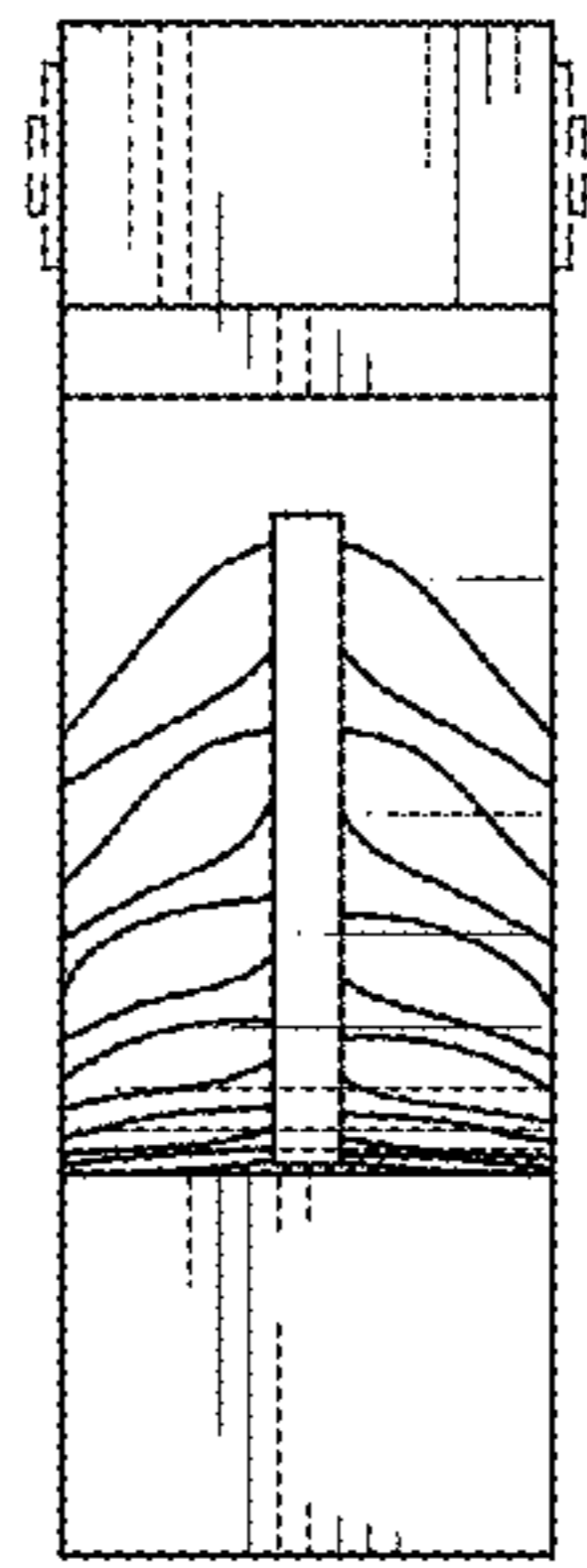


FIG. 7

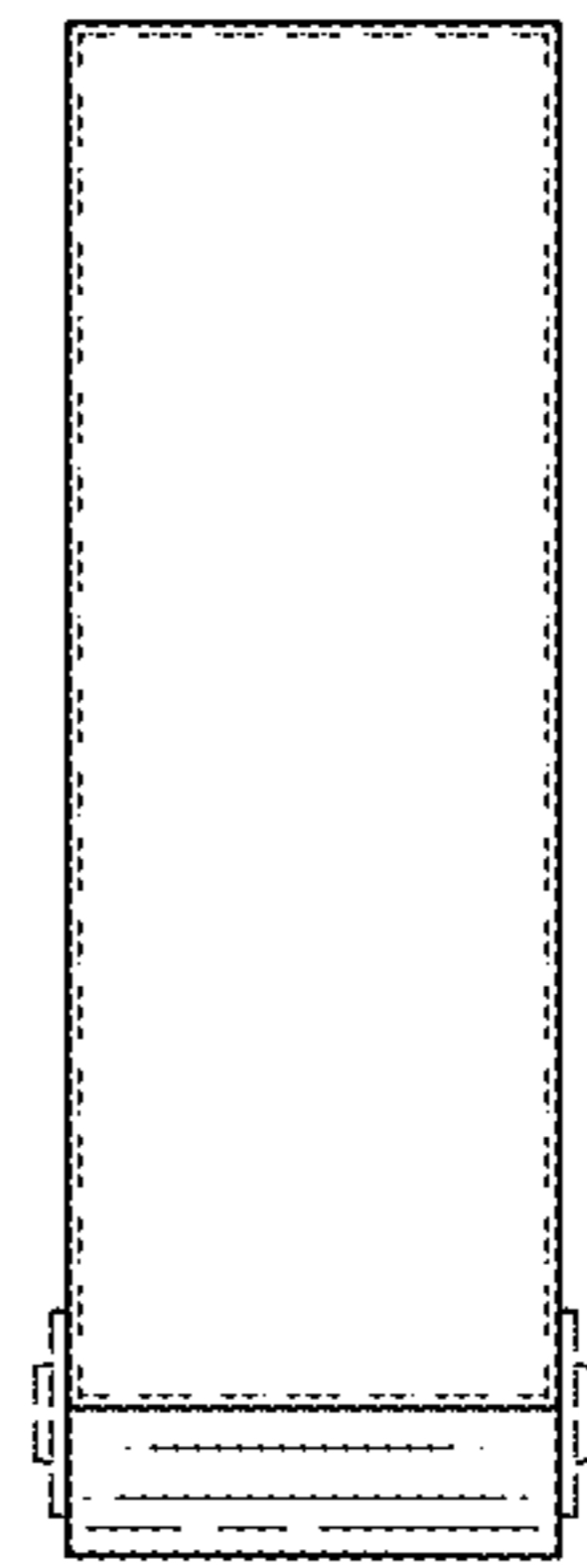


FIG. 8

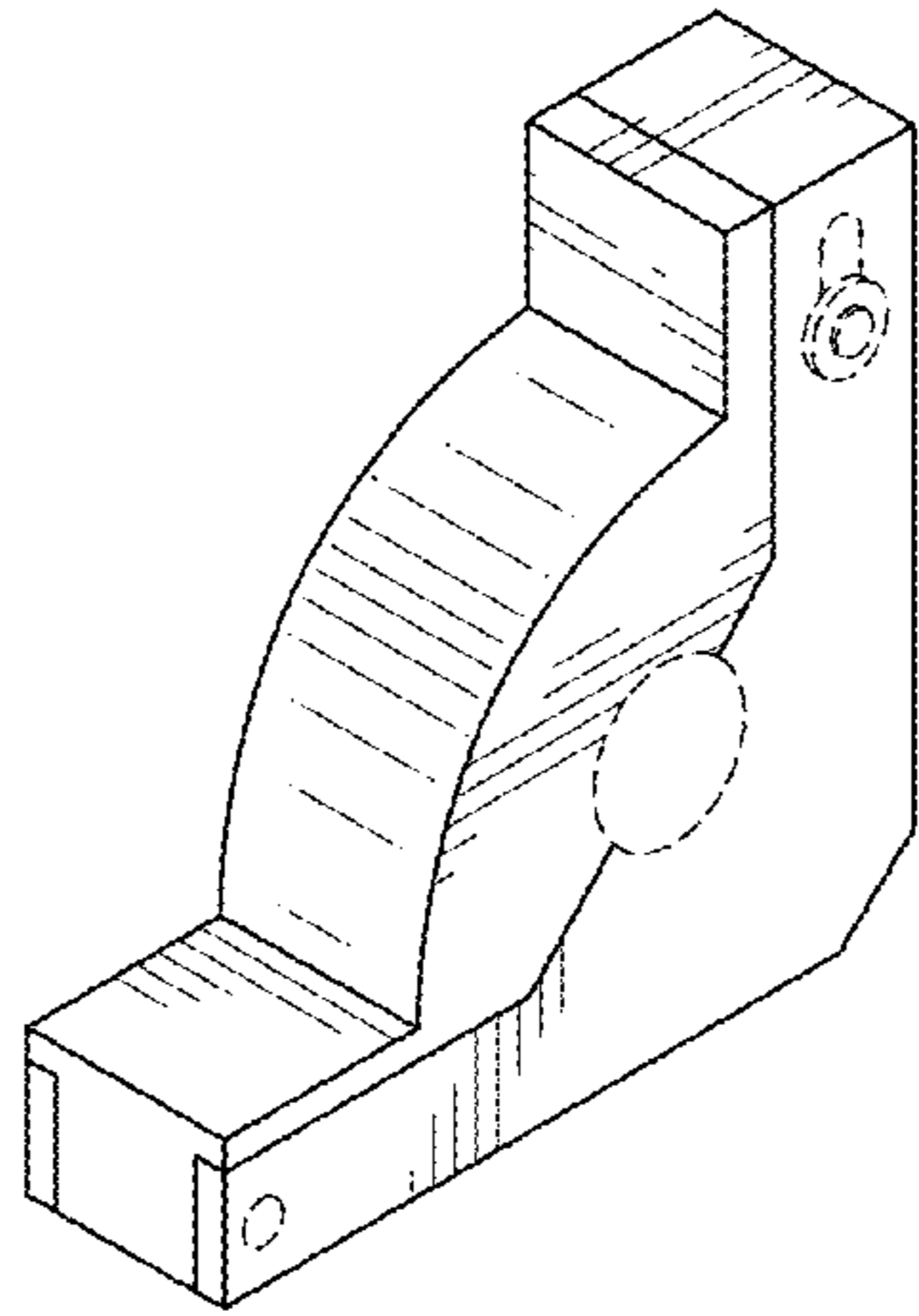


FIG. 9

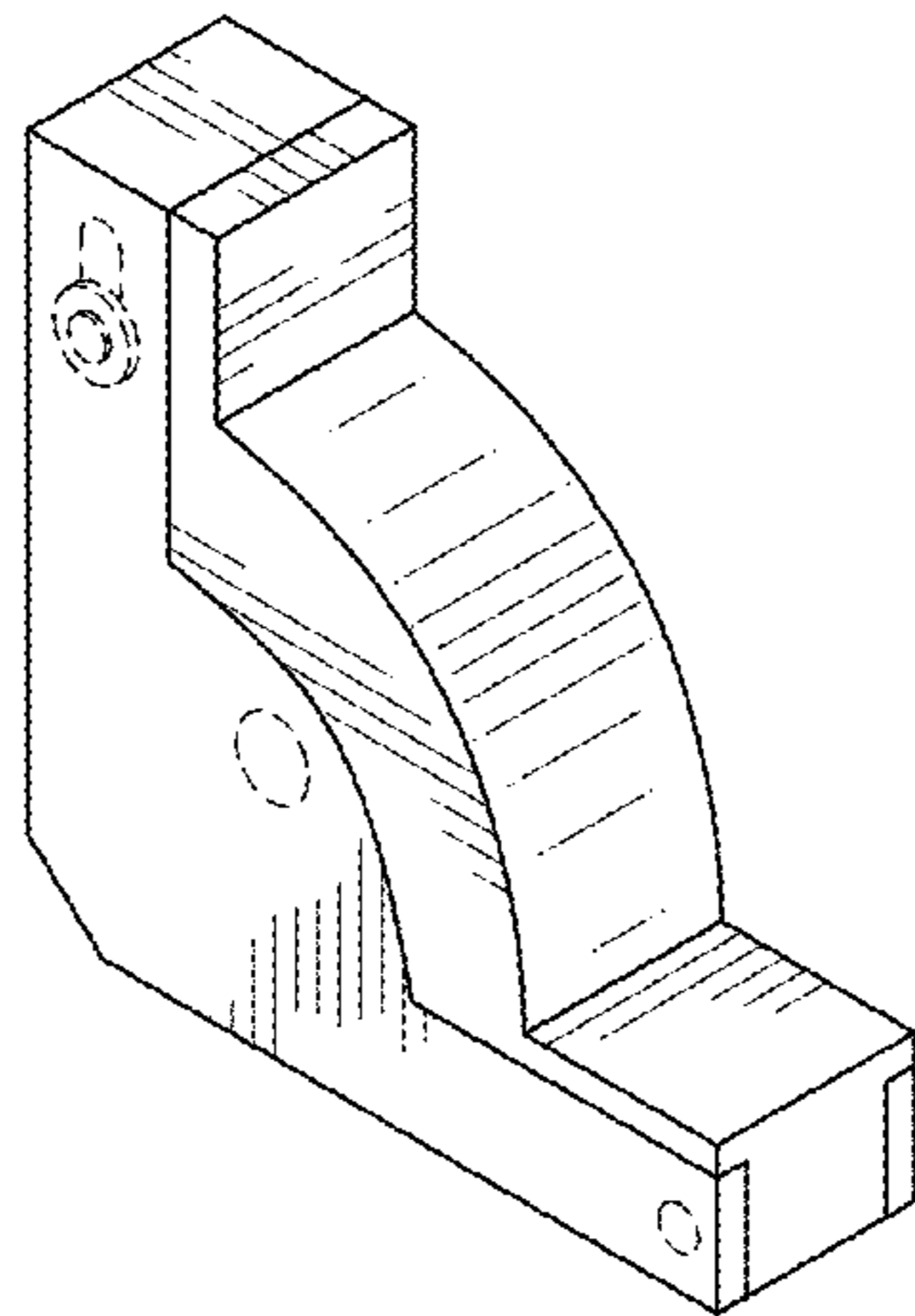


FIG. 10

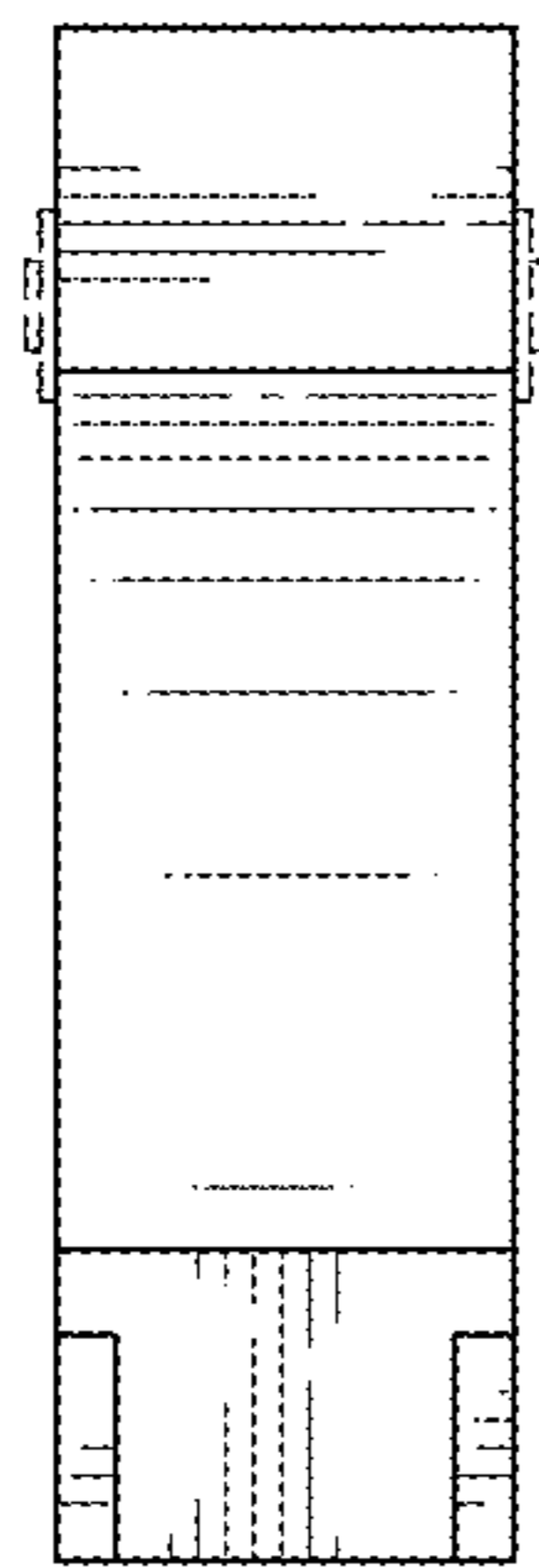


FIG. 11

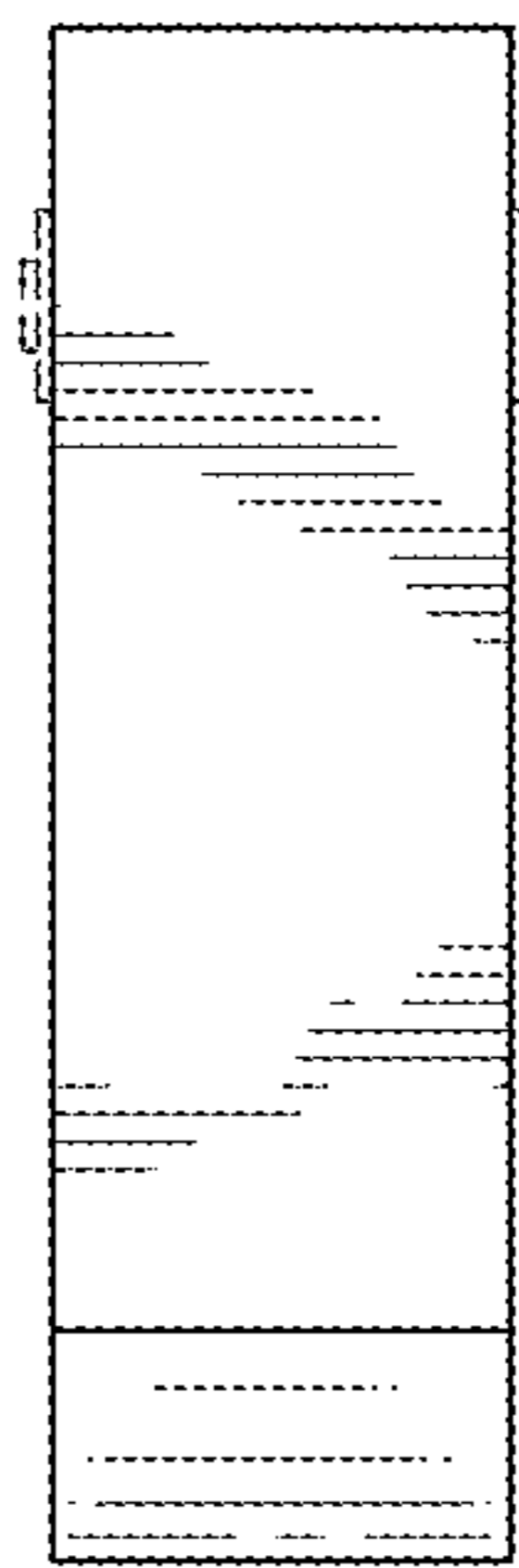


FIG. 12

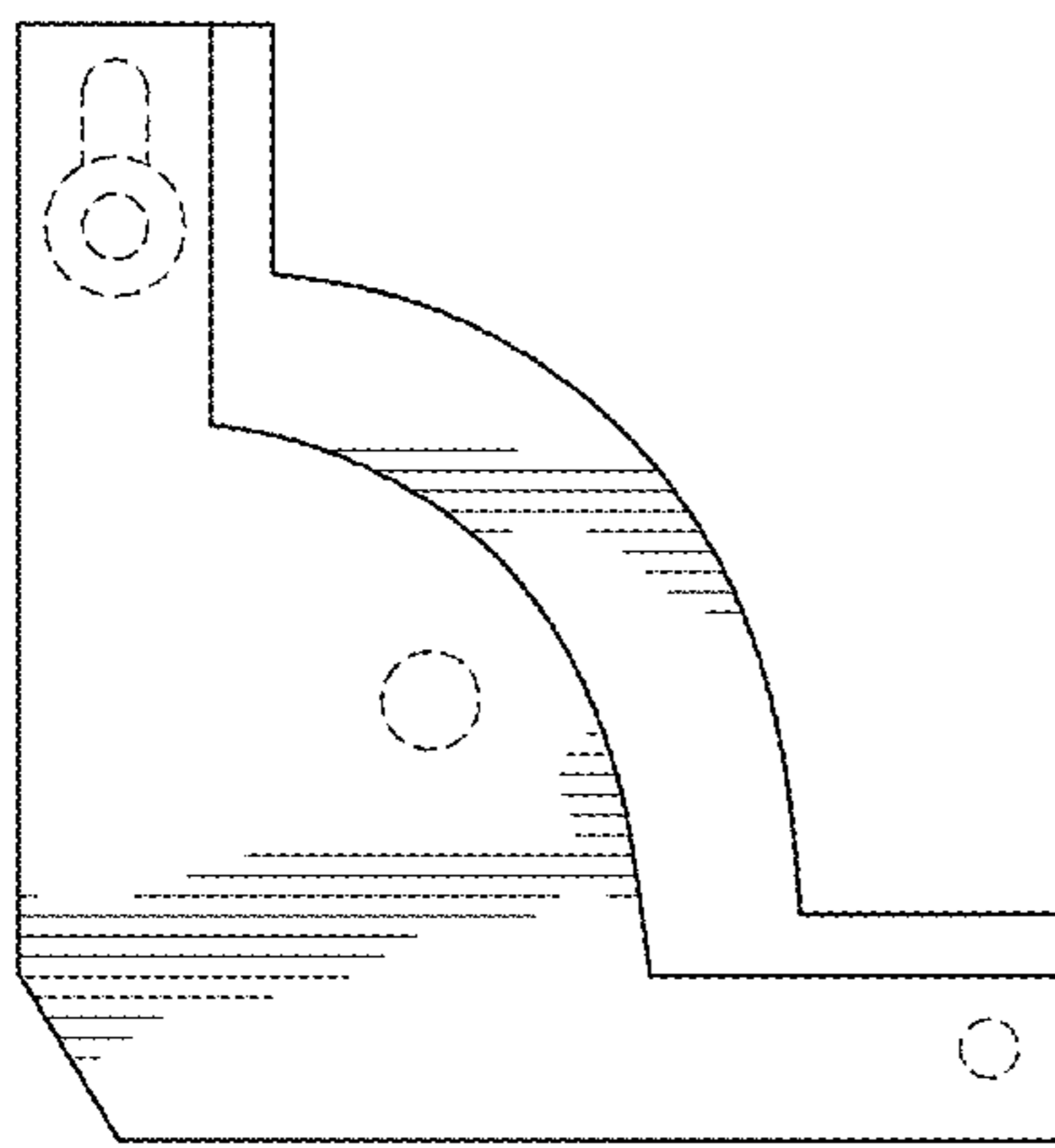


FIG. 13

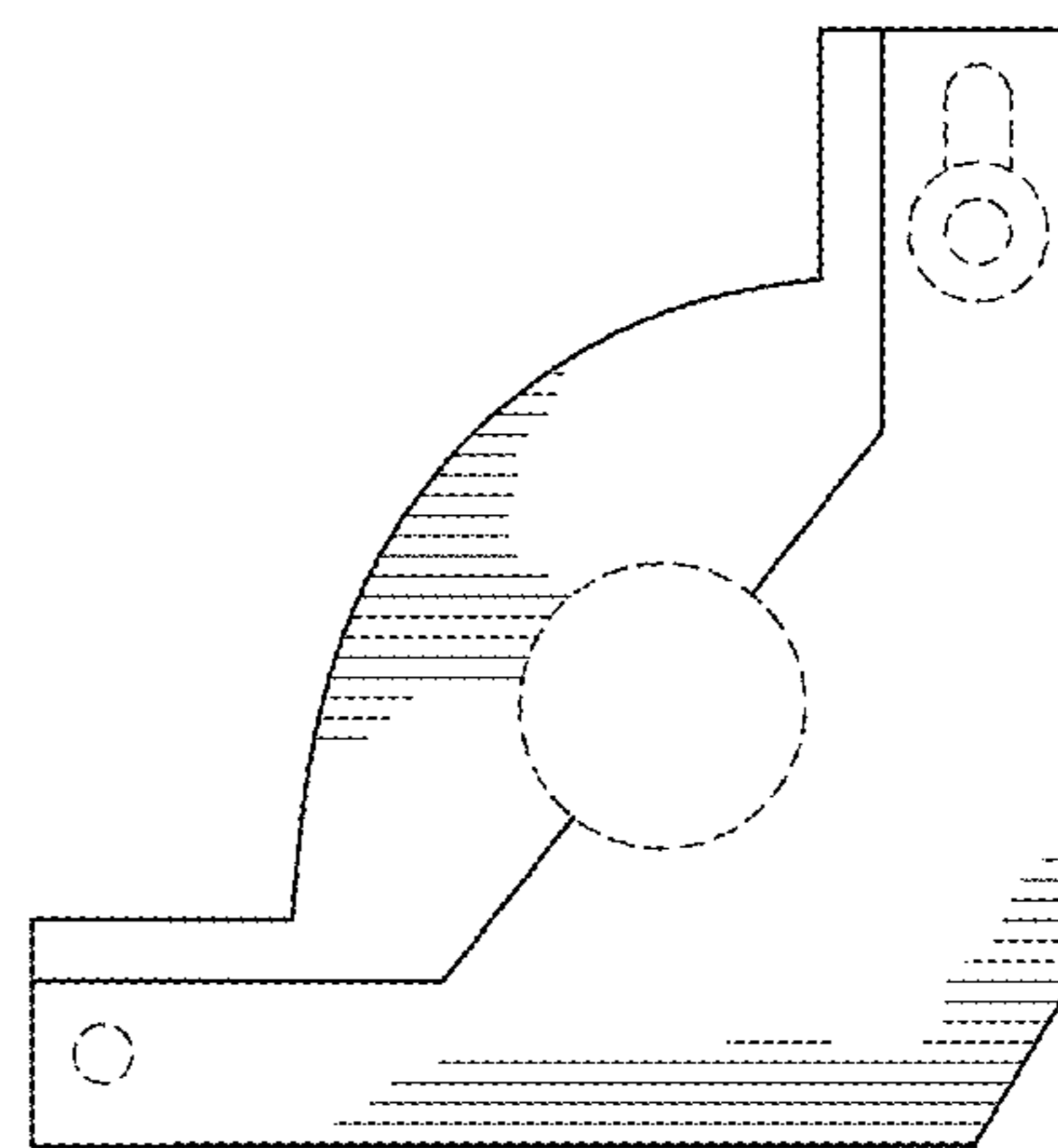


FIG. 14

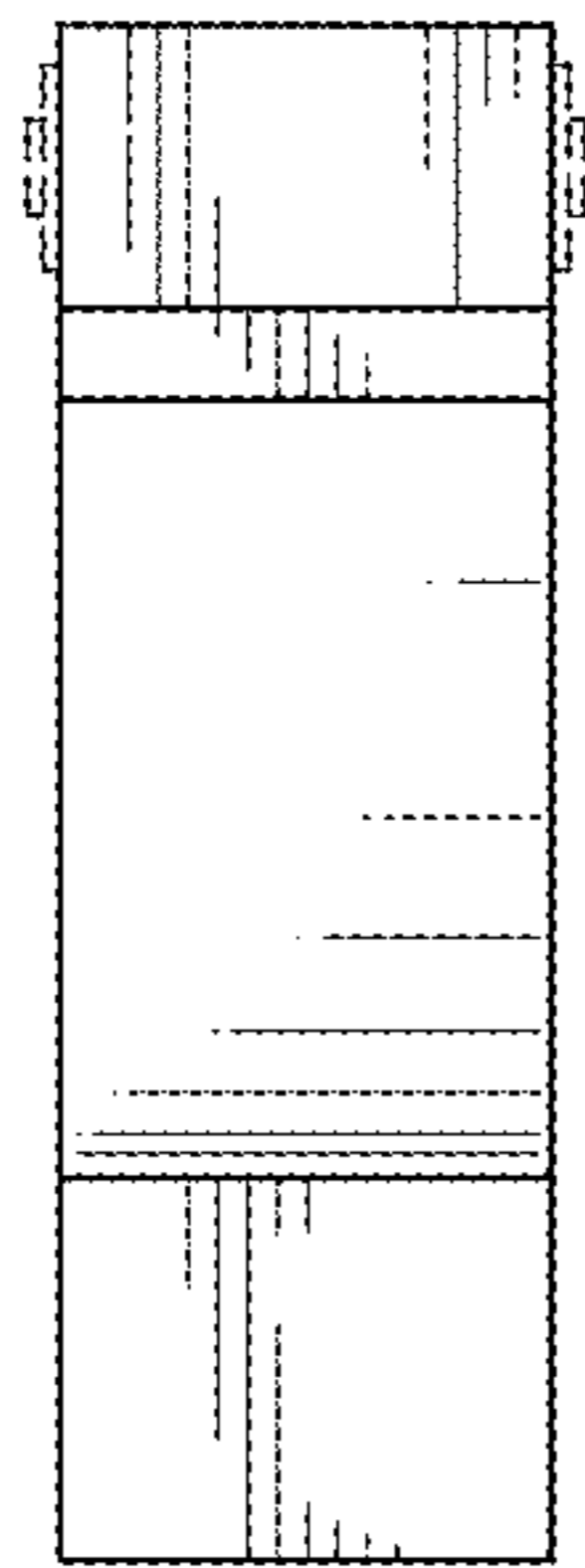


FIG. 15

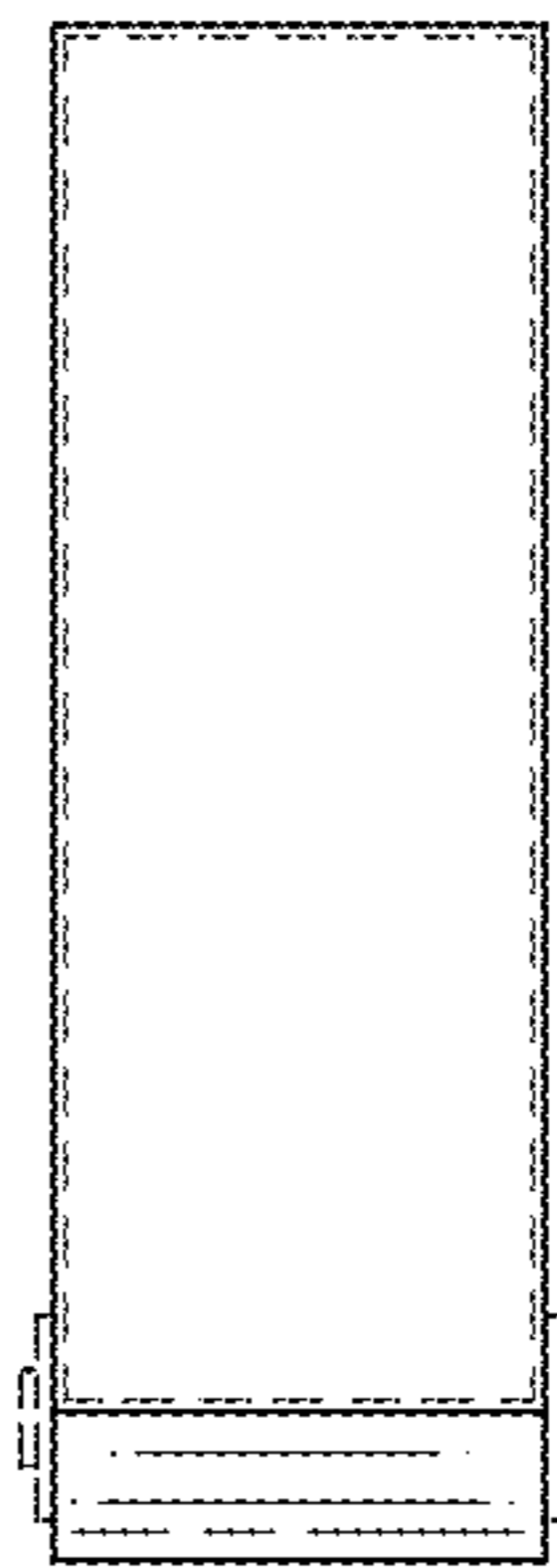


FIG. 16