



US00D734657S

(12) **United States Design Patent**
Wu

(10) **Patent No.:** **US D734,657 S**
(45) **Date of Patent:** **** Jul. 21, 2015**

(54) **POT HANGING BRACKET**

(71) Applicant: **Chia-Lun Wu**, Tainan (TW)

(72) Inventor: **Chia-Lun Wu**, Tainan (TW)

(**) Term: **14 Years**

(21) Appl. No.: **29/473,089**

(22) Filed: **Nov. 19, 2013**

(51) **LOC (10) Cl.** **08-05**

(52) **U.S. Cl.**
USPC **D8/373**

(58) **Field of Classification Search**
USPC D8/383, 374, 300, 303, 313, 314, 394,
D8/396, 380, 373, 395, 363, 381, 44, 19,
D8/352, 370, 308, 372, 376, 384;
D13/133; D19/1; D22/108; D26/87;
D9/686, 687; D23/238; D6/300, 556,
D6/682, 325; D7/619.1
CPC F16B 12/44; F16B 12/46; F16B 5/0614;
F16B 12/02; E04B 1/2612; E04B 2001/2415;
E04B 1/5818; E04B 1/5831; A47B 88/0055;
E04F 11/1812

See application file for complete search history.

(56) **References Cited**

U.S. PATENT DOCUMENTS

D219,456 S	*	12/1970	Allssandratos	D8/373
D242,524 S	*	11/1976	Washburn	D8/371
D301,976 S	*	7/1989	Greenhut et al.	D8/373
D321,124 S	*	10/1991	Gary	D8/373
D321,125 S	*	10/1991	Gary	D8/373
D322,211 S	*	12/1991	Gary	D8/373
D560,115 S	*	1/2008	Peyridieu et al.	D8/373
D696,572 S	*	12/2013	Petruccelli	D8/373
D706,610 S	*	6/2014	Sakuma	D8/363

* cited by examiner

Primary Examiner — Robert M Spear

Assistant Examiner — Eliza Bennett-Hattan

(74) *Attorney, Agent, or Firm* — Alan D. Kamrath; Kamrath IP Lawfirm, P.A.

(57) **CLAIM**

The ornamental design for a pot hanging bracket, as shown and described.

DESCRIPTION

FIG. 1 is a perspective view of a pot hanging bracket showing my design;

FIG. 2 is a front elevational view thereof;

FIG. 3 is a rear elevational view thereof;

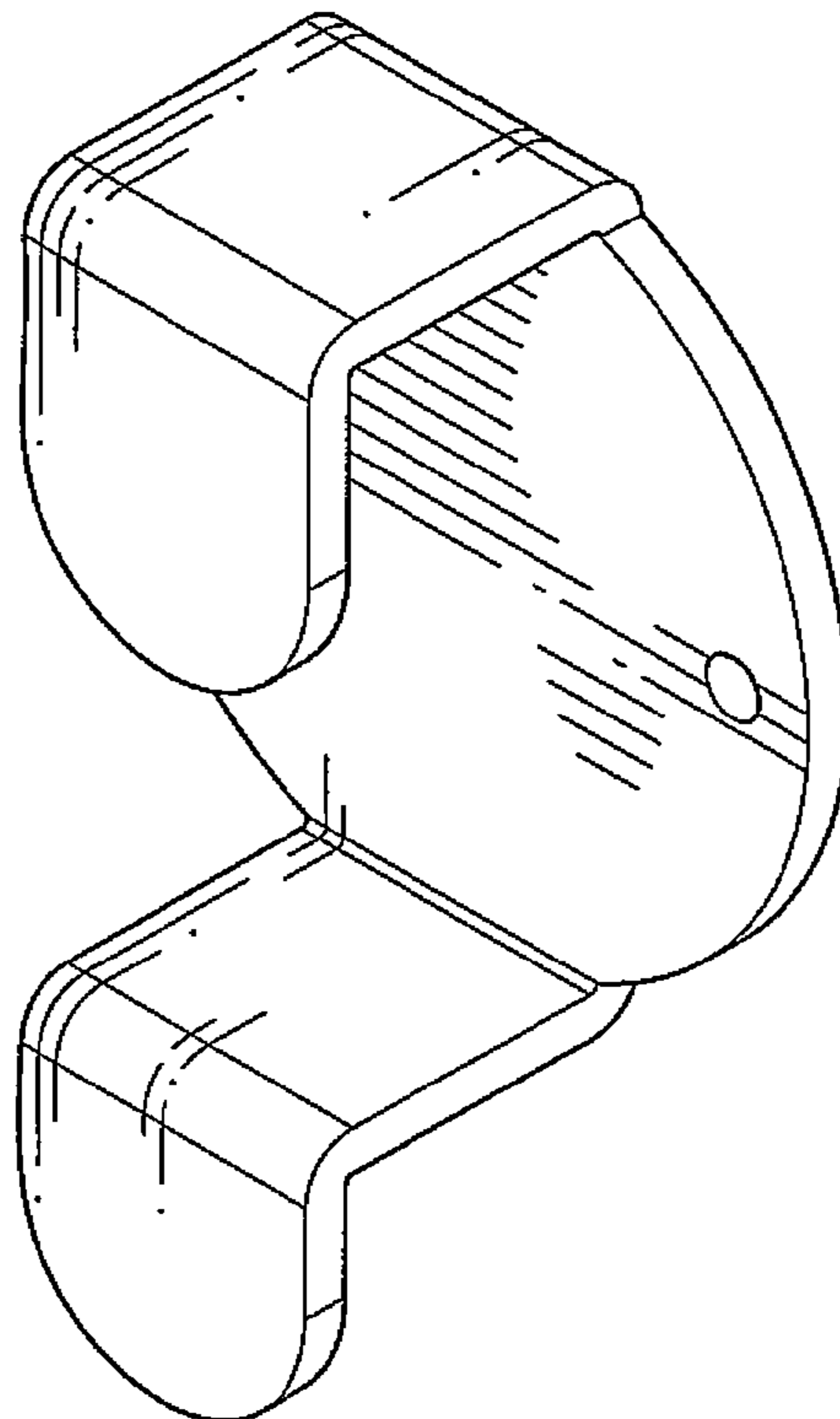
FIG. 4 is a left elevational view thereof;

FIG. 5 is a right elevational view thereof;

FIG. 6 is a top plan view thereof; and,

FIG. 7 is a bottom plan view thereof.

1 Claim, 4 Drawing Sheets



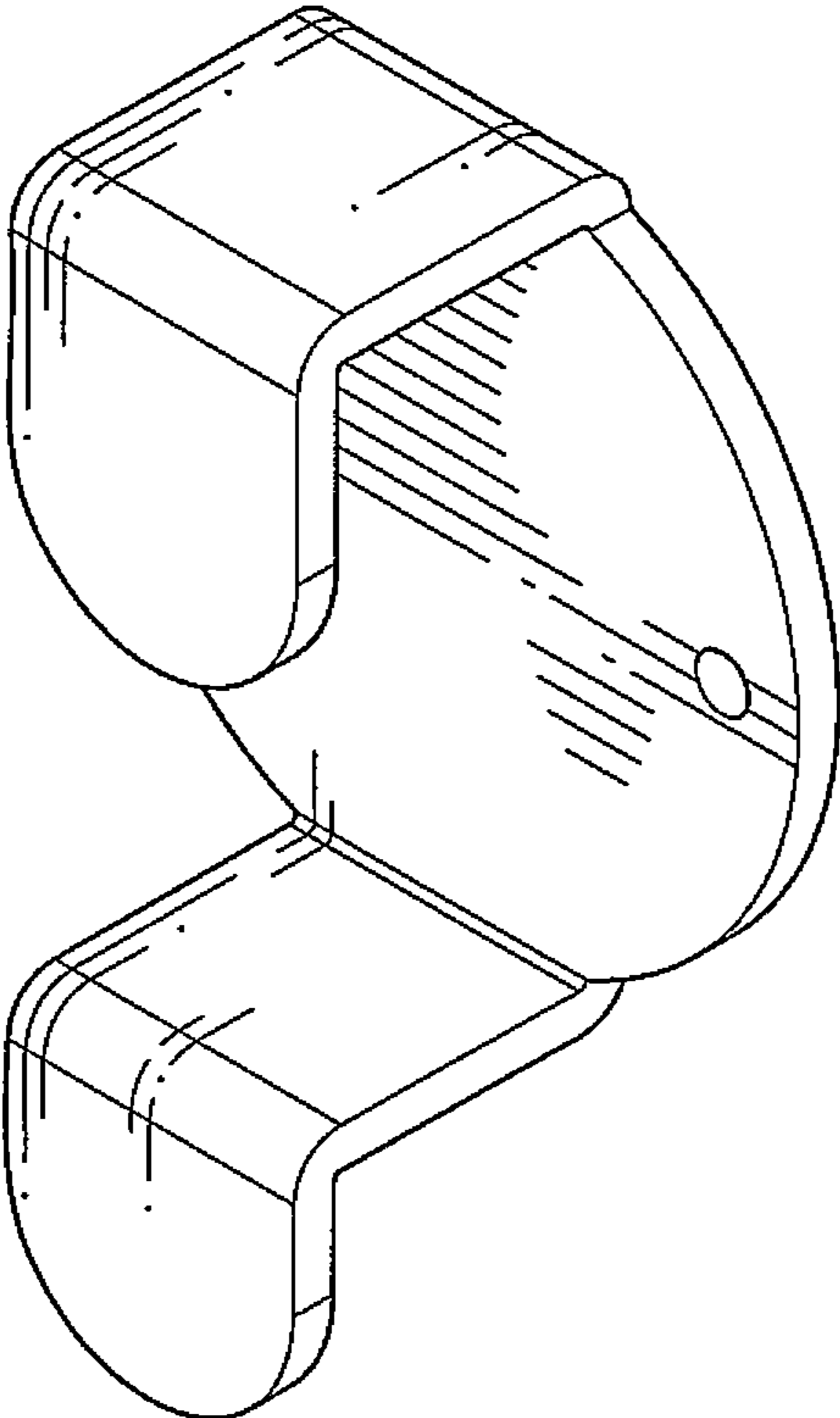


Fig. 1

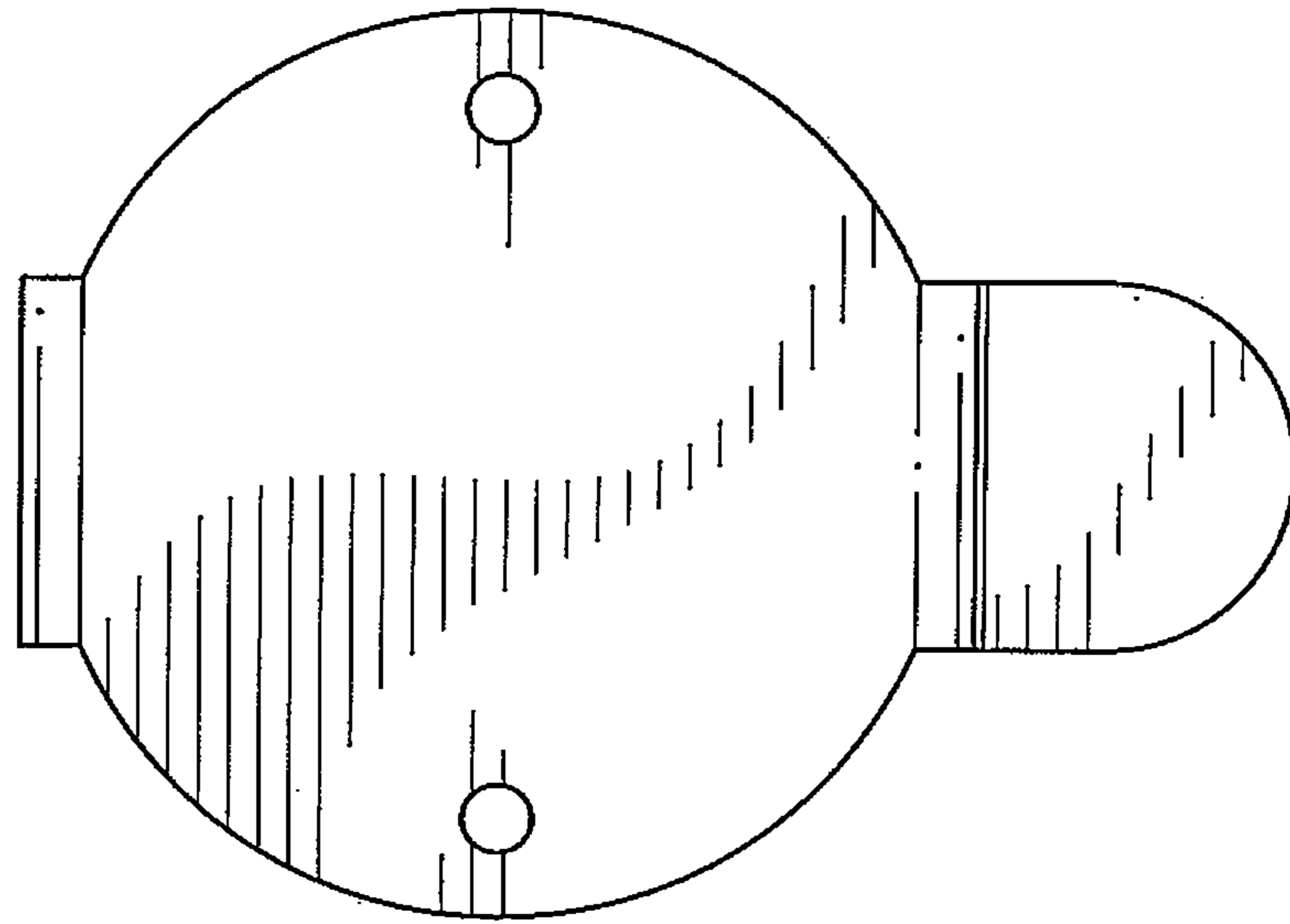


Fig. 3

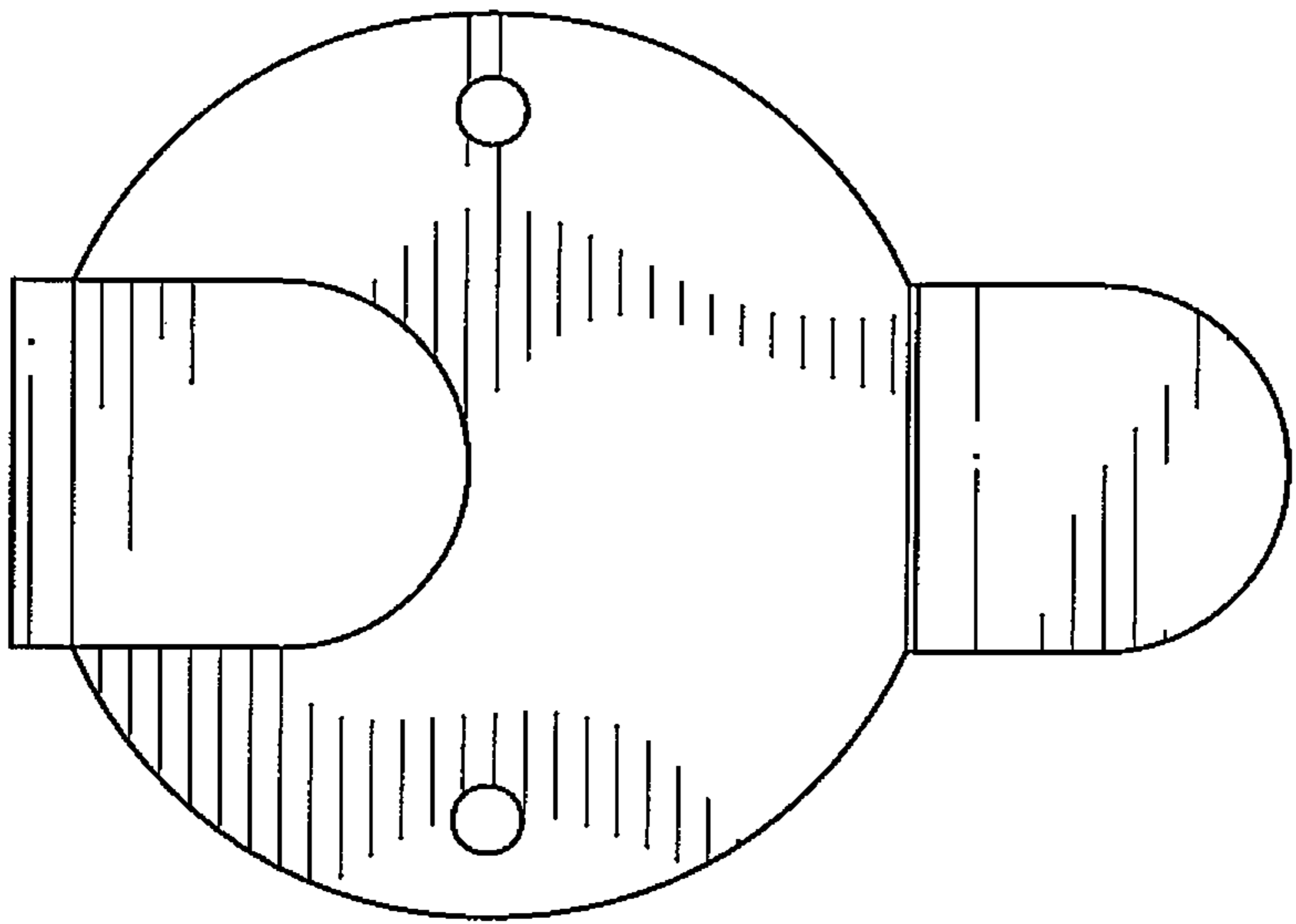


Fig. 2

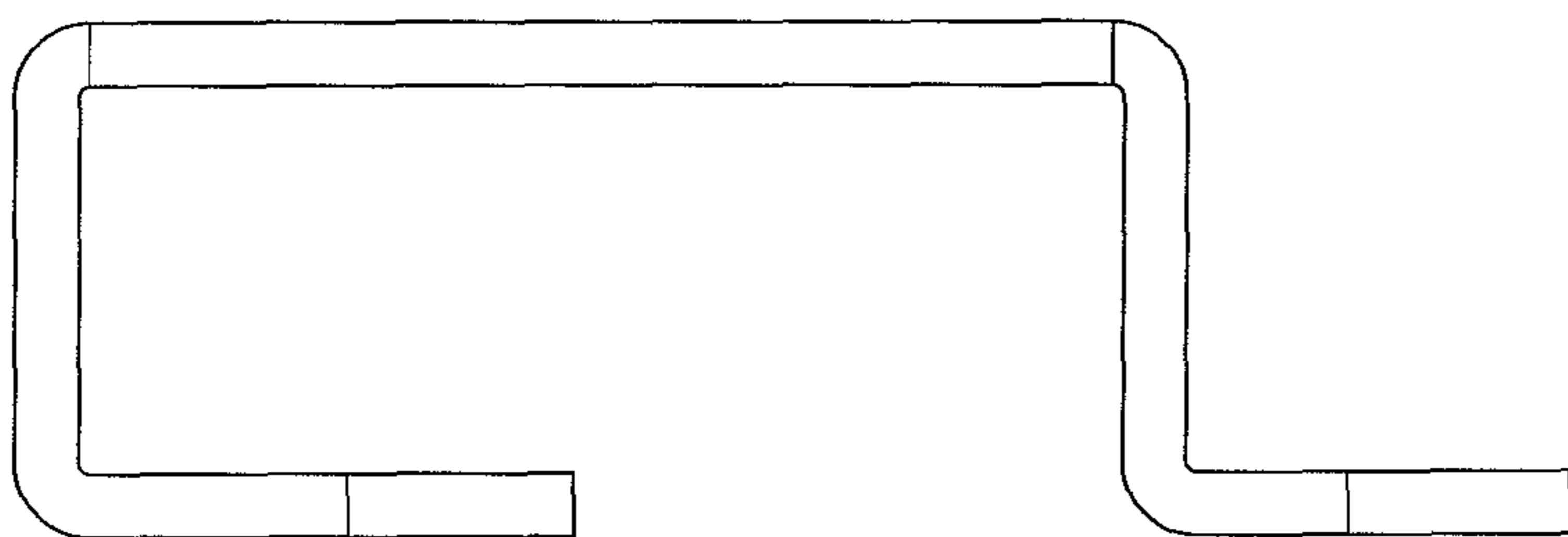


Fig. 5

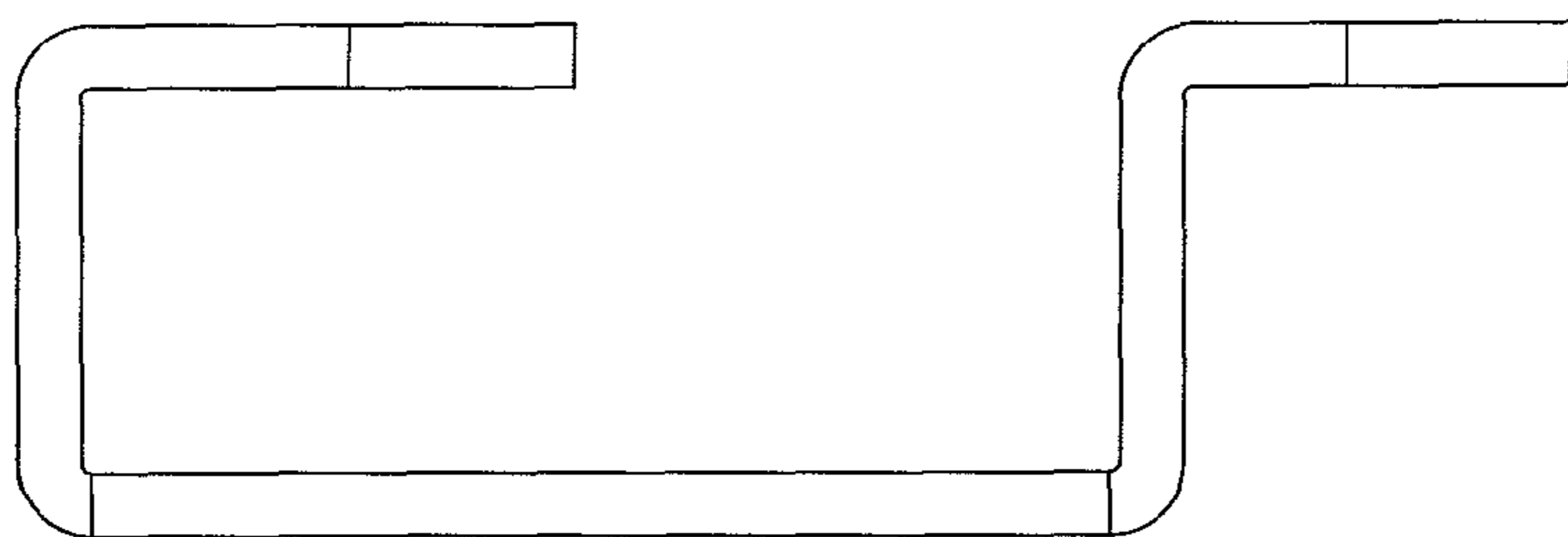


Fig. 4

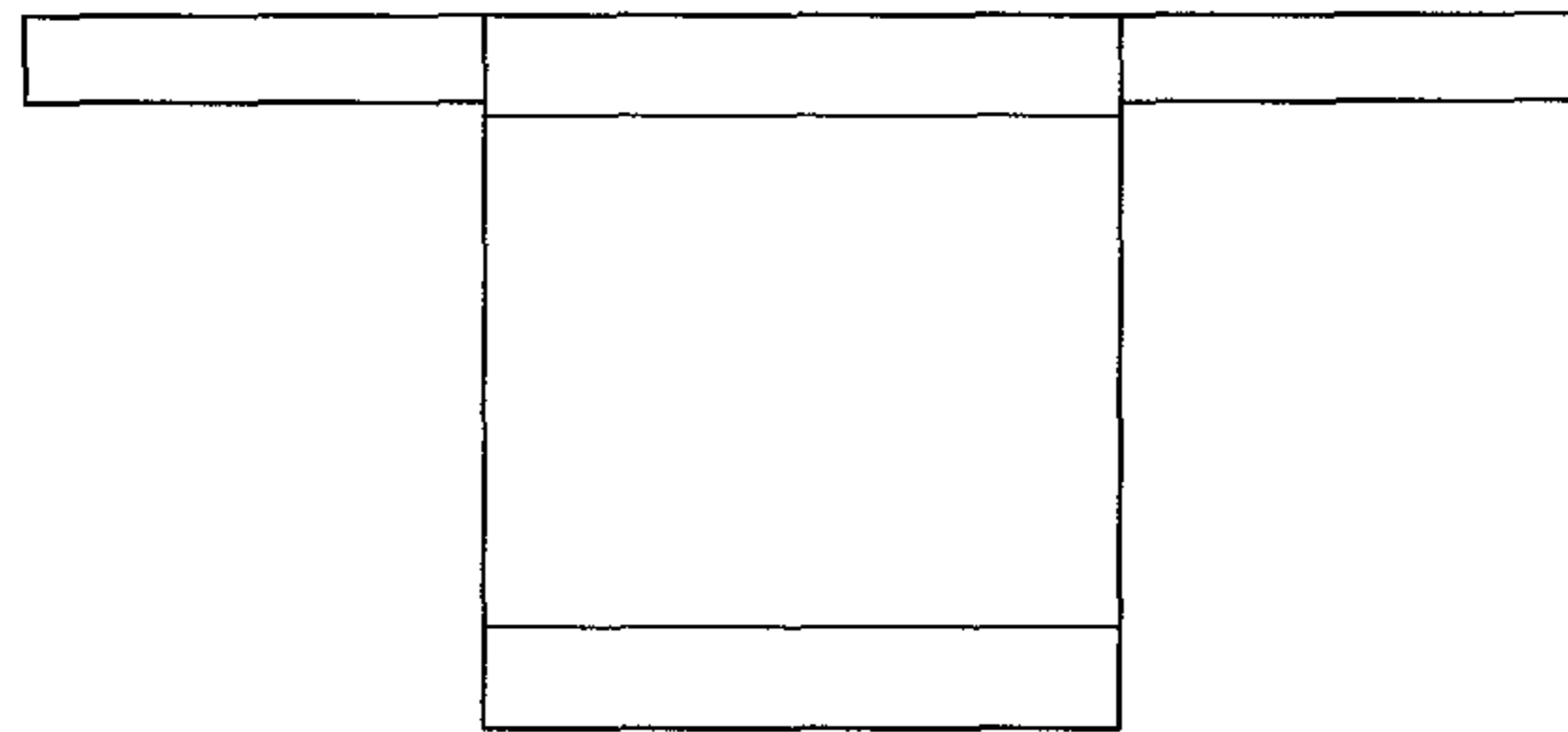


Fig. 6

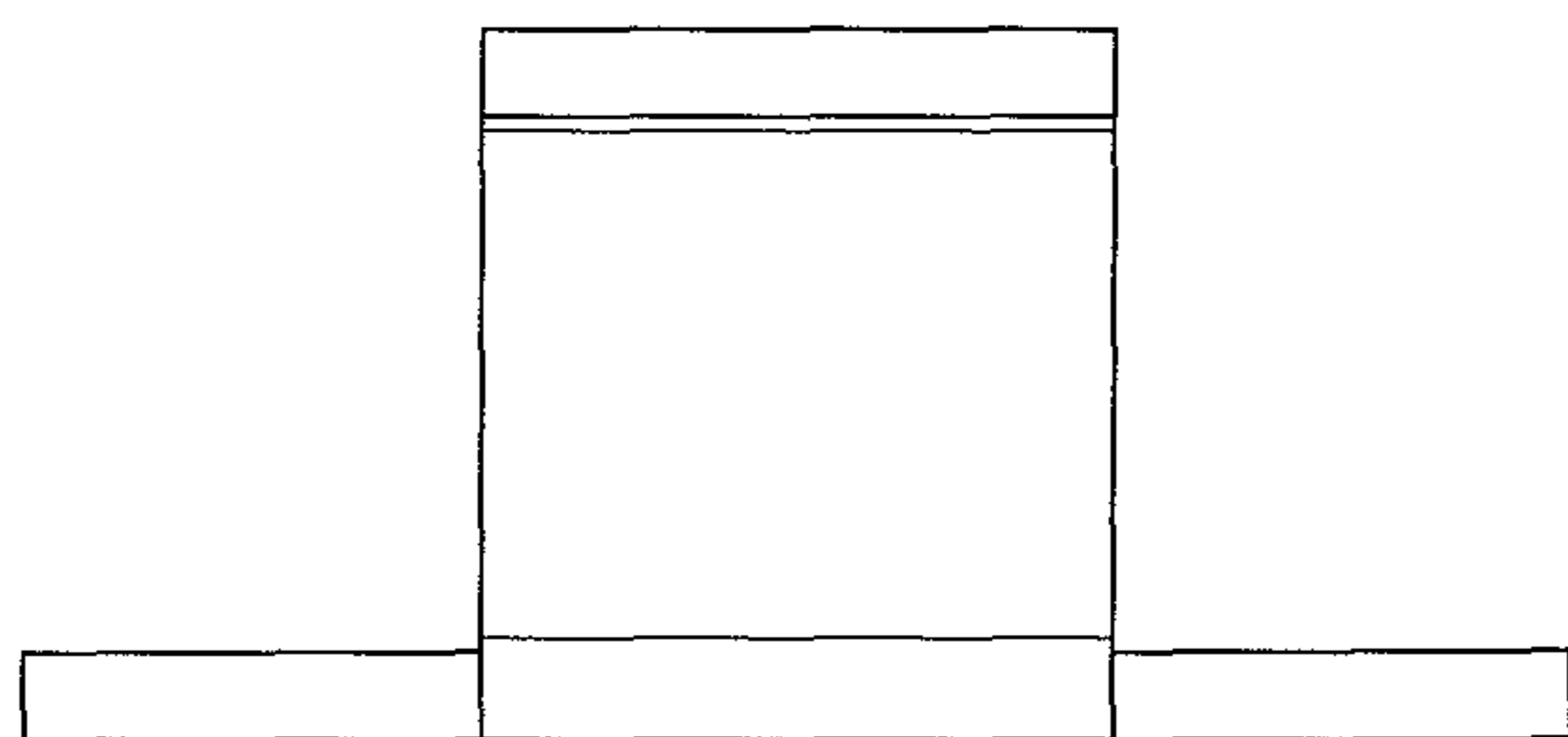


Fig. 7