



US00D734656S

(12) **United States Design Patent**
Blaszczak et al.

(10) **Patent No.:** **US D734,656 S**
(45) **Date of Patent:** **** Jul. 21, 2015**

(54) **HOSE REEL DECK BOX**

(71) Applicant: **Ames True Temper, Inc.**, Camp Hill, PA (US)

(72) Inventors: **Gregory J. Blaszczak**, Hummelstown, PA (US); **Peter Arcati**, Dillsburg, PA (US); **Eric Daniel Hyp**, Harrisburg, PA (US)

(73) Assignee: **THE AMES COMPANIES, INC.**, Camp Hill, PA (US)

(**) Term: **14 Years**

(21) Appl. No.: **29/469,162**

(22) Filed: **Oct. 8, 2013**

Related U.S. Application Data

(63) Continuation of application No. 13/309,593, filed on Dec. 2, 2011.

(51) **LOC (10) Cl.** **08-05**

(52) **U.S. Cl.**
USPC **D8/358**

(58) **Field of Classification Search**
USPC D8/356, 358, 359, 19, 45; 242/395, 242/405.3, 118.7, 542.4, 160.4, 366, 400; 137/355.27, 355.2; D14/484; D3/24; D15/16; D12/501, 204; D22/14, 137

See application file for complete search history.

(56) **References Cited**

U.S. PATENT DOCUMENTS

6,050,291	A	4/2000	Whitehead et al.
D448,652	S	10/2001	Spear et al.
6,877,687	B2	4/2005	Moon et al.
D506,123	S	6/2005	English et al.
6,913,221	B2	7/2005	Moon et al.
D551,061	S	9/2007	English et al.
7,575,188	B2	8/2009	Mullen et al.
D635,448	S	4/2011	Thuma et al.
D667,292	S	9/2012	Donnelly et al.
2007/0144584	A1	6/2007	Hatcher et al.

Primary Examiner — Robert M Spear

Assistant Examiner — Eliza Bennett-Hattan

(74) *Attorney, Agent, or Firm* — Eckert Seamans Cherin & Mellott, LLC; David C. Jenkins

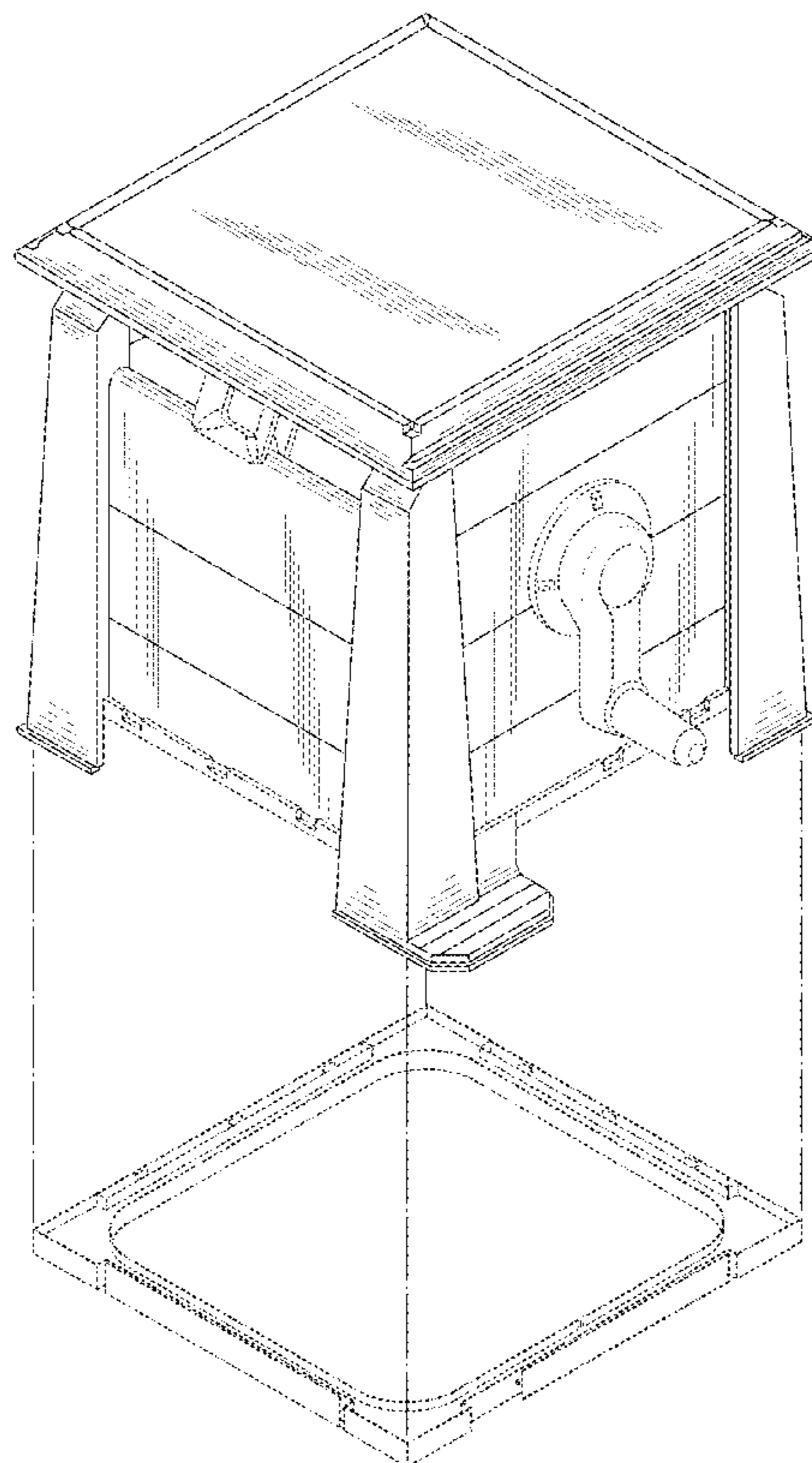
(57) **CLAIM**

The ornamental design for hose reel deck box, as shown and described.

DESCRIPTION

FIG. 1 is a first side view of the hose reel deck box; FIG. 2 is an isometric view of the hose reel deck box; and, FIG. 3 is a bottom view of the hose reel deck box. The broken lines in the drawings depict environmental subject matter only and form no part of the claimed design

1 Claim, 3 Drawing Sheets



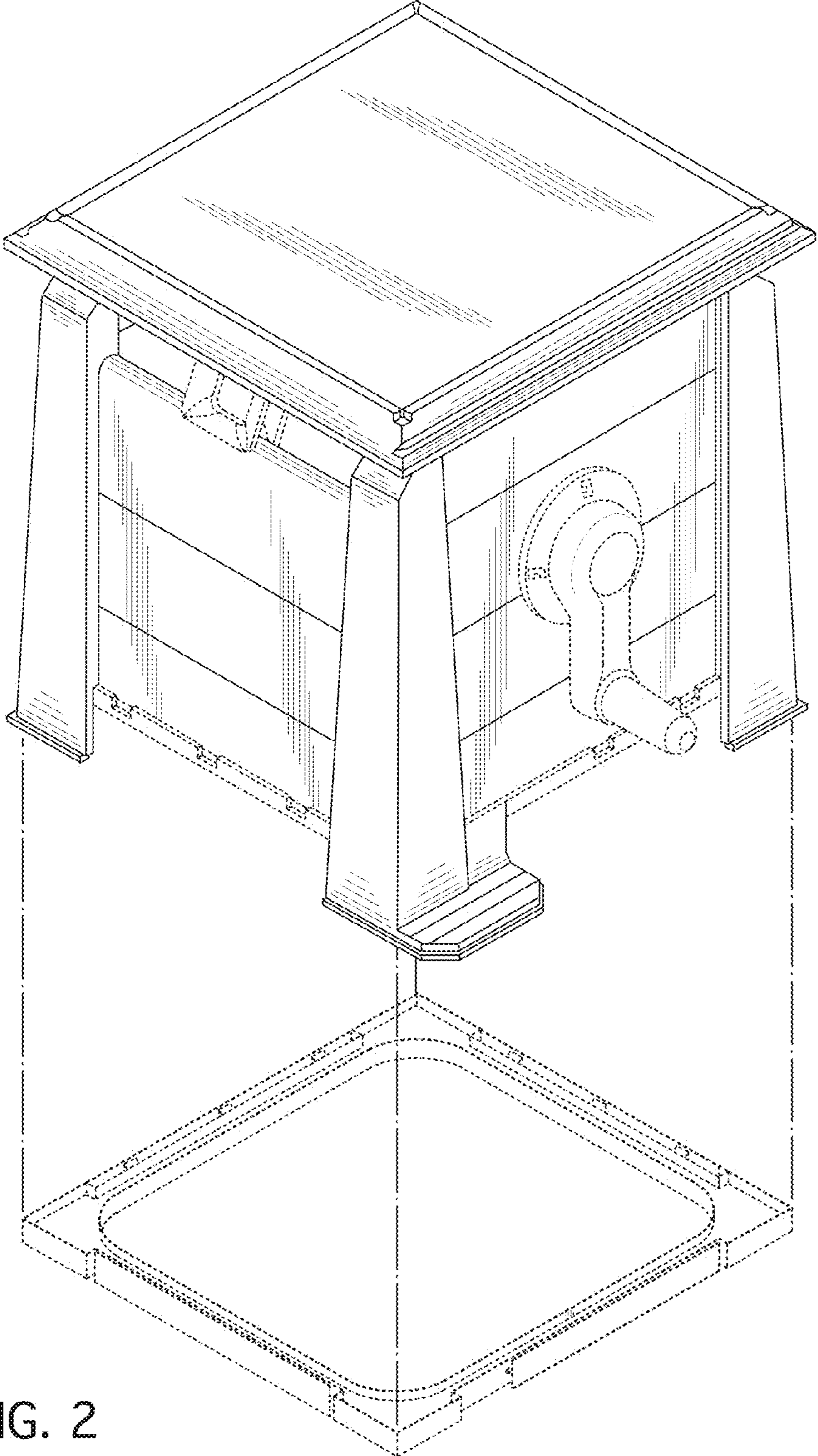


FIG. 2

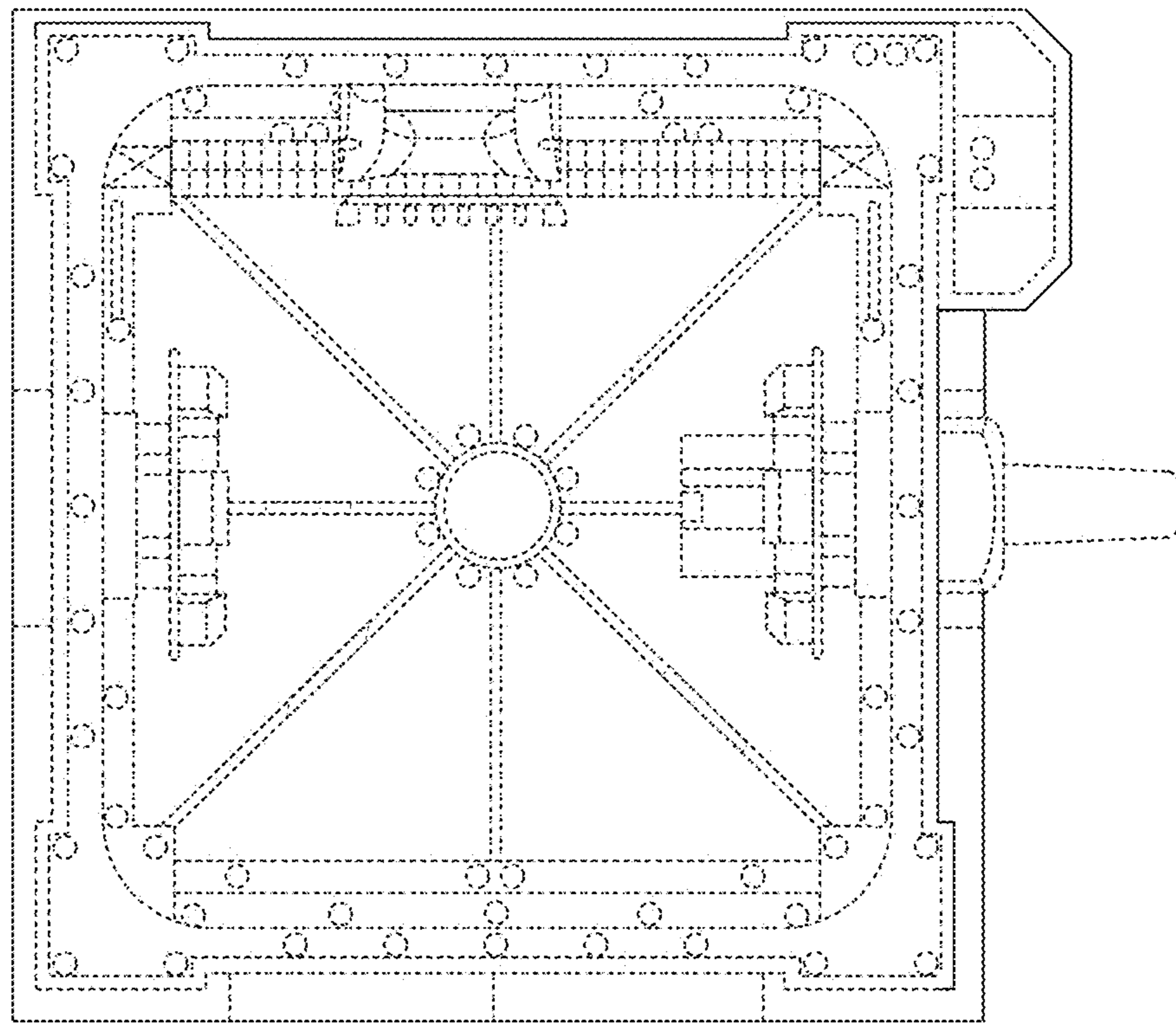


FIG. 3