



US00D734654S

(12) **United States Design Patent**
Geiger

(10) **Patent No.:** **US D734,654 S**
(45) **Date of Patent:** **** Jul. 21, 2015**

(54) **MOUNT**
(71) Applicant: **HellermannTyton Corporation,**
Milwaukee, WI (US)
(72) Inventor: **Gerard G. Geiger,** Jackson, WI (US)
(73) Assignee: **HellermannTyton Corporation,**
Milwaukee, WI (US)
(**) Term: **14 Years**
(21) Appl. No.: **29/470,114**
(22) Filed: **Oct. 17, 2013**
(51) **LOC (10) Cl.** **08-05**
(52) **U.S. Cl.**
USPC **D8/354**
(58) **Field of Classification Search**
USPC D8/349, 354–356, 363–367, 370–373,
D8/380, 382, 384, 381; D25/199; 248/215,
248/465.1, 112, 153, 175, 218.1, 218.2,
248/302, 303, 300; D11/218
CPC F16L 3/02; F16L 3/12; F16L 3/2334
See application file for complete search history.

5,653,409 A 8/1997 White, Jr. et al.
5,730,399 A 3/1998 Baginski
5,820,048 A 10/1998 Shereyk et al.
D437,772 S * 2/2001 Erwin D8/354
6,196,751 B1 3/2001 Khokhar
6,481,066 B1 * 11/2002 Ide et al. 24/324
6,533,226 B2 3/2003 Geiger
D511,960 S * 11/2005 Ogino D8/354
7,475,453 B2 * 1/2009 Drake et al. 24/324
D608,688 S * 1/2010 Dalzell et al. D11/218
D623,088 S * 9/2010 Schiebl D11/220
D628,515 S * 12/2010 Schiebl D11/218
D674,679 S * 1/2013 Hobson D8/356
D688,118 S * 8/2013 Hobson D8/356
D688,119 S * 8/2013 Hobson D8/356
D688,121 S * 8/2013 Hobson D8/356
D688,548 S * 8/2013 Hobson D8/356
D713,759 S * 9/2014 Guney et al. D11/218
D714,683 S * 10/2014 McEntyre et al. D11/218
8,931,977 B2 * 1/2015 Connors et al. 405/184.4
2007/0193006 A1 * 8/2007 Kitano et al. 24/323
2013/0068899 A1 * 3/2013 Richter 248/65

* cited by examiner

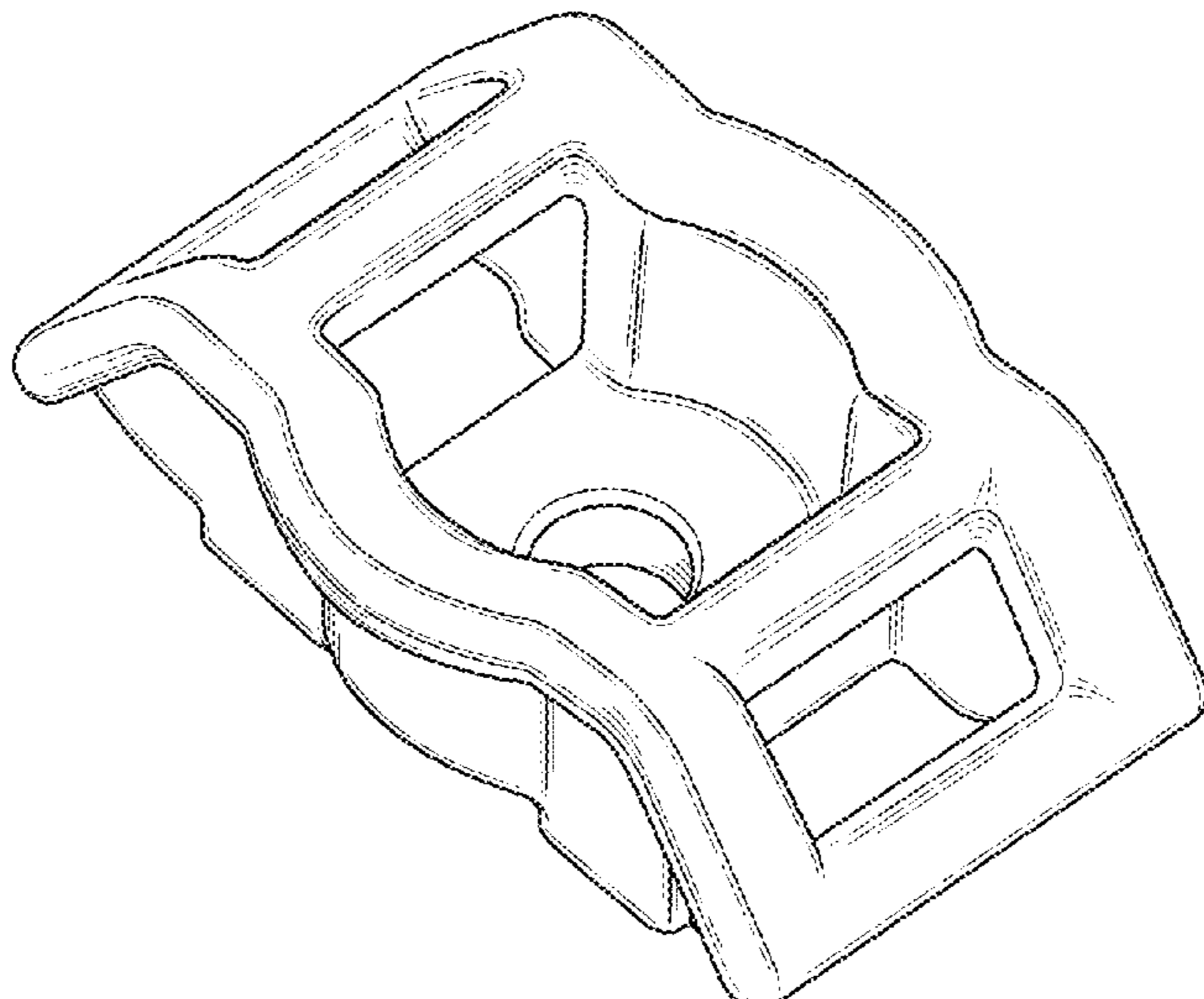
Primary Examiner — Elizabeth Albert
(74) *Attorney, Agent, or Firm* — Ryan Kromholz & Manion,
S.C.

(57) **CLAIM**
The ornamental design for a mount, as shown and described.

(56) **References Cited**
U.S. PATENT DOCUMENTS
3,250,505 A 5/1966 Rodman, Sr. et al.
3,486,725 A 12/1969 Hidassy
3,632,070 A 1/1972 Thayer
3,913,876 A 10/1975 McSherry
4,768,741 A 9/1988 Logsdon
D301,566 S * 6/1989 Heiberger D11/218
4,925,136 A 5/1990 Knott
5,259,096 A * 11/1993 Grant 24/324
D347,990 S * 6/1994 Petrohilos D8/382
5,332,179 A 7/1994 Kuffel et al.
5,337,983 A 8/1994 Mailey
5,386,615 A 2/1995 Bernard

DESCRIPTION
FIG. 1 is a perspective view of a mount showing my new design;
FIG. 2 is a front elevation view thereof, the rear elevation view being identical thereto;
FIG. 3 is a left side elevation view thereof, the right side elevation view being identical thereto;
FIG. 4 is a top plan view thereof; and,
FIG. 5 is a bottom plan view thereof.

1 Claim, 2 Drawing Sheets



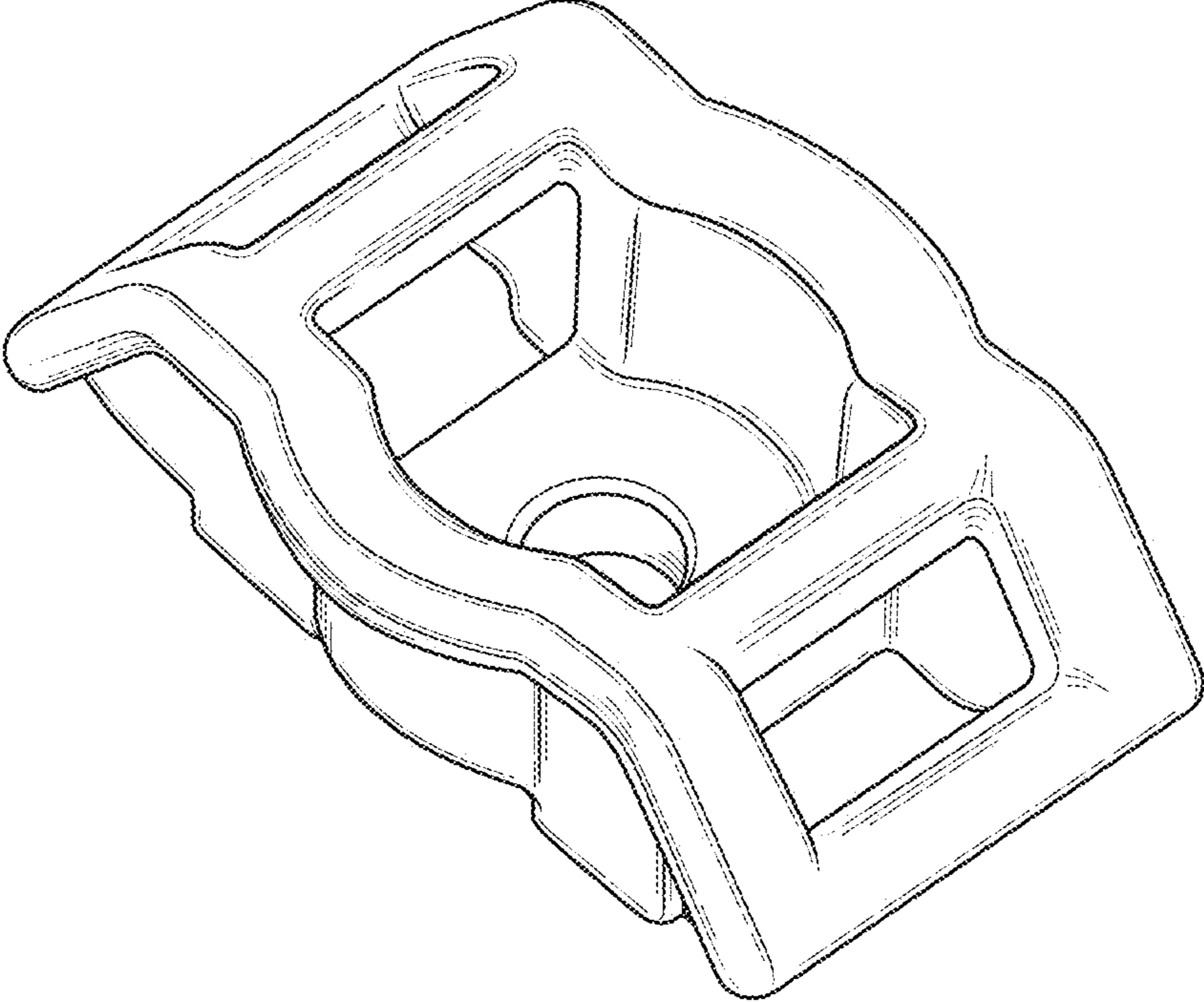


Fig. 1

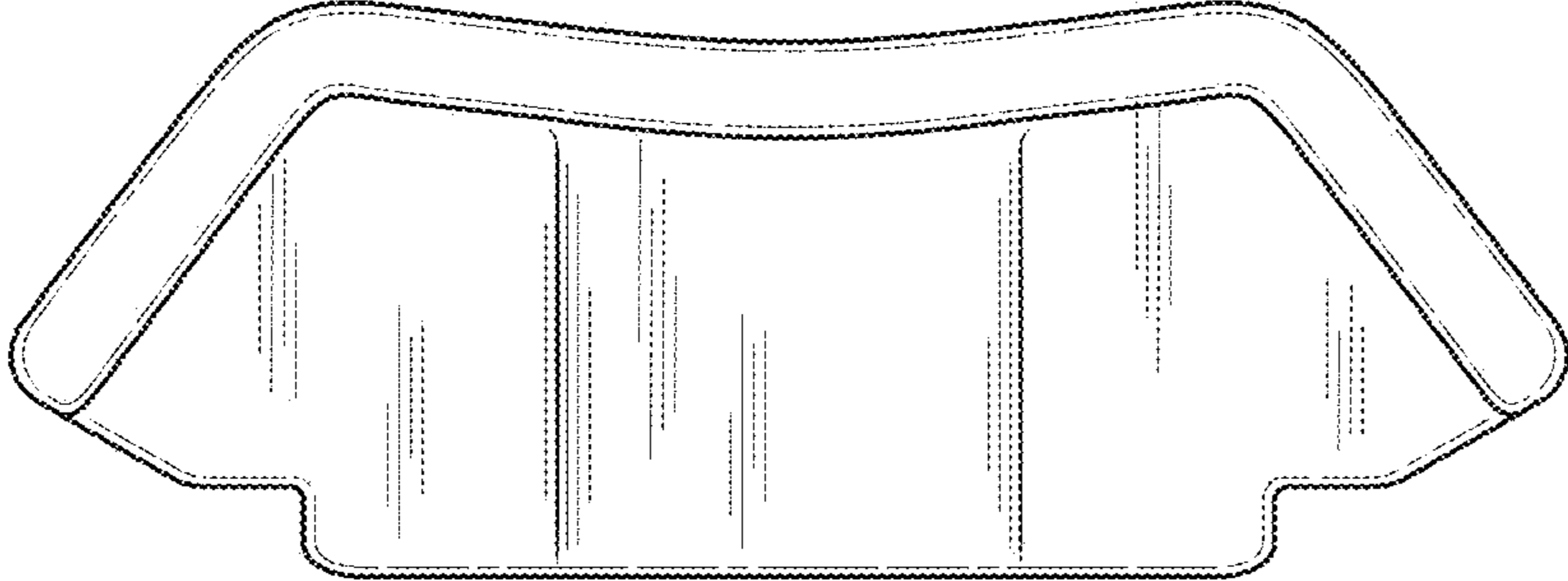


Fig. 2

Fig. 3

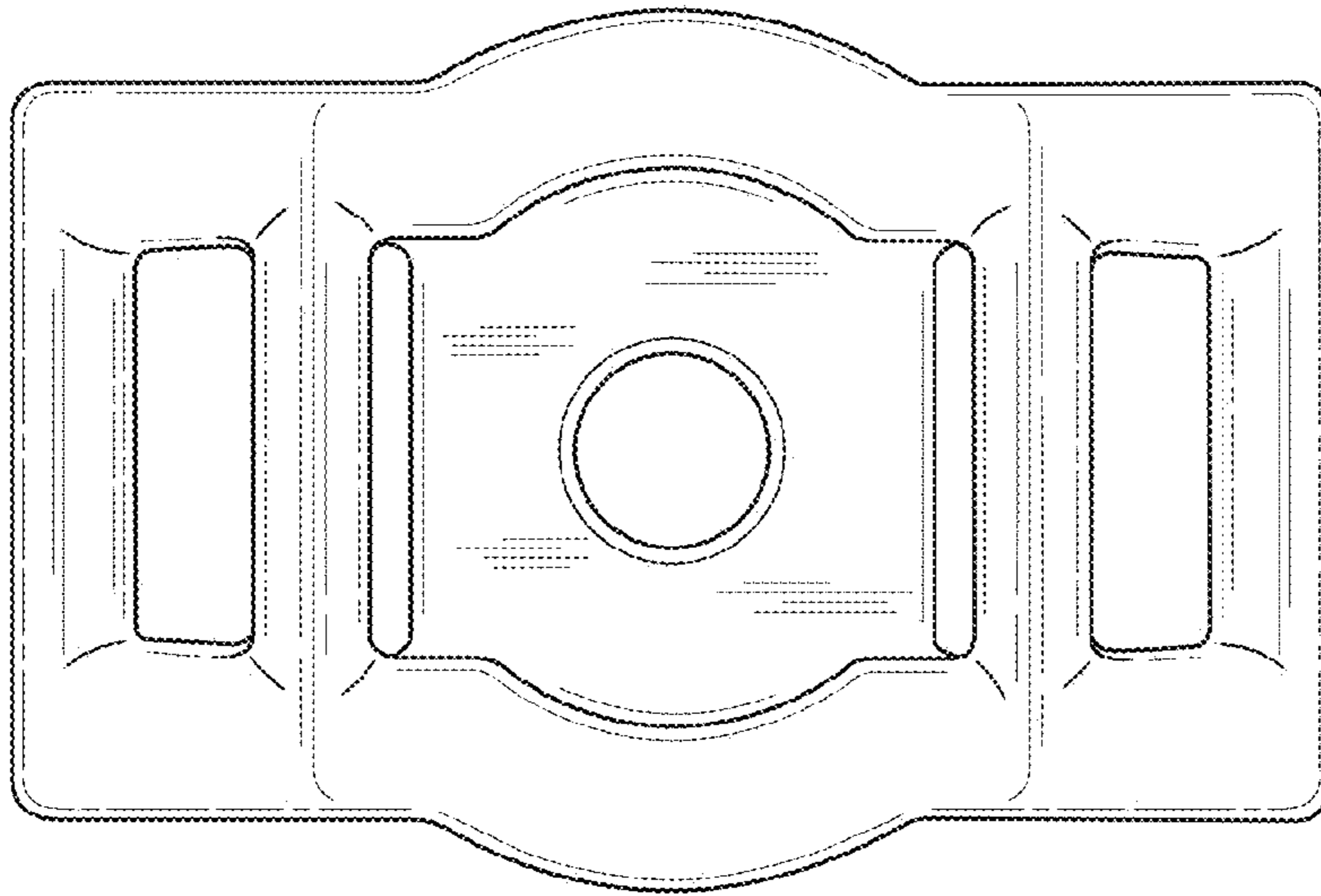
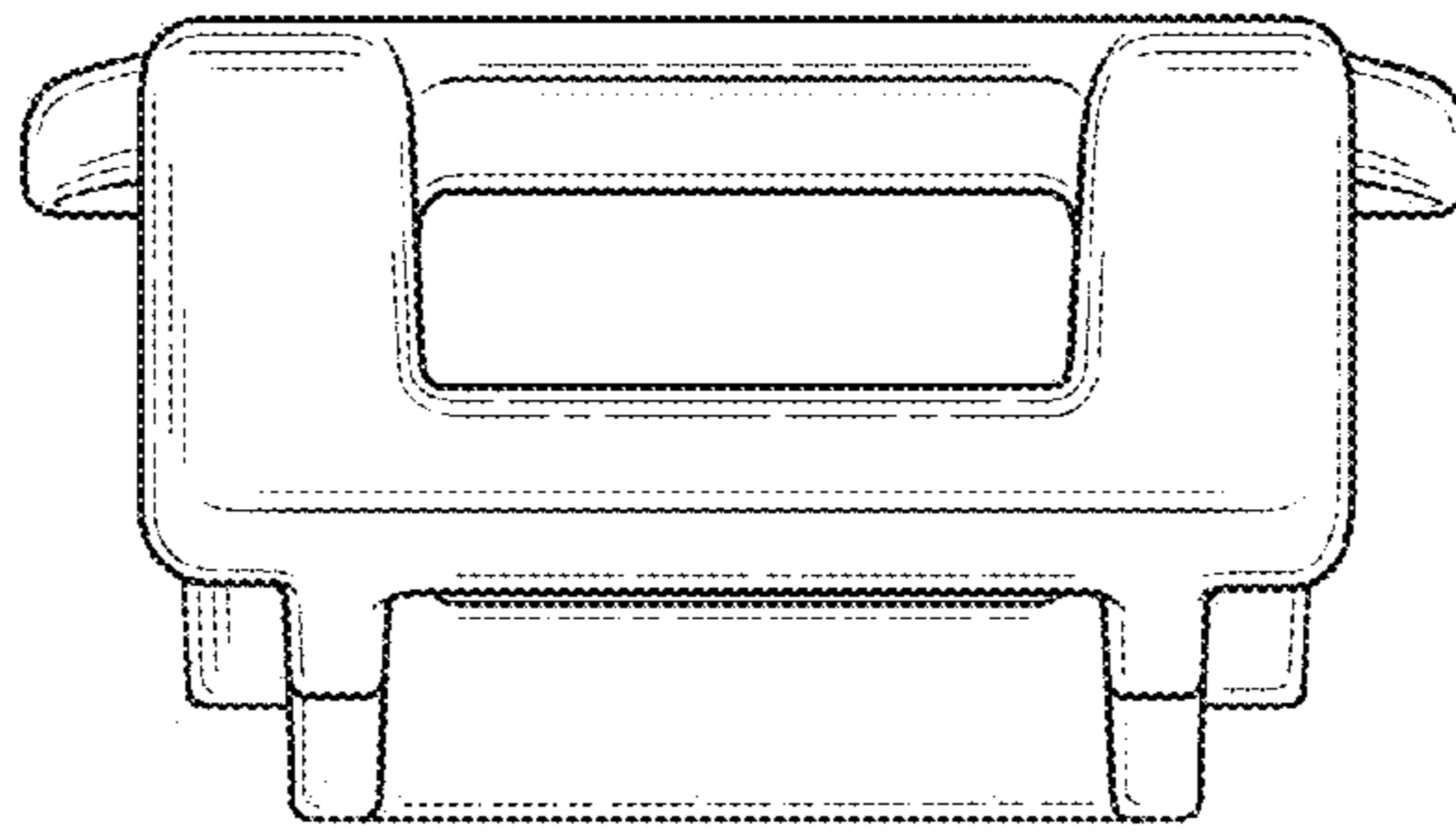


Fig. 4

Fig. 5

