



US00D734653S

(12) **United States Design Patent**
Martin et al.

(10) **Patent No.:** **US D734,653 S**
(45) **Date of Patent:** **** Jul. 21, 2015**

(54) **AC MODULE MOUNTING BRACKET**

6,285,572 B1 9/2001 Onizuka et al.
6,291,764 B1 9/2001 Ishida et al.
6,311,137 B1 10/2001 Kurokami et al.

(71) Applicant: **Enphase Energy, Inc.**, Petaluma, CA
(US)

(Continued)

(72) Inventors: **Anthony Charles Martin**, Santa Rosa,
CA (US); **Ho Gene Choi**, Petaluma, CA
(US); **Jonathan Yip**, San Francisco, CA
(US)

FOREIGN PATENT DOCUMENTS

DE 198 59 732 A1 6/2000
EP 0 793 278 A2 9/1997

(Continued)

(73) Assignee: **Enphase Energy, Inc.**, Petaluma, CA
(US)

OTHER PUBLICATIONS

(**) Term: **14 Years**

Pending U.S. Appl. No. 61/270,809, "Method and System for Locating Stolen Solar Power System Components" filed Jul. 14, 2009, pp. 1-28.

(21) Appl. No.: **29/436,820**

(Continued)

(22) Filed: **Nov. 9, 2012**

(51) **LOC (10) Cl.** **08-08**

Primary Examiner — Mark Goodwin

(52) **U.S. Cl.**

(74) *Attorney, Agent, or Firm* — Moser Taboada

USPC **D8/349**

(58) **Field of Classification Search**

(57) **CLAIM**

USPC D8/349, 354, 366, 371, 373, 374, 400;
D23/385; 362/147; 248/343, 342, 345

The ornamental design for a AC module mounting bracket, substantially as shown and described.

See application file for complete search history.

DESCRIPTION

(56) **References Cited**

FIG. 1 is a perspective view of a AC module mounting bracket embodying the new design;

U.S. PATENT DOCUMENTS

4,217,633	A	8/1980	Evans, Jr.	
4,283,106	A	8/1981	Bunnell	
4,310,211	A	1/1982	Bunnell et al.	
4,460,232	A	7/1984	Sotolongo	
D337,042	S *	7/1993	Lin et al.	D8/349
D342,662	S *	12/1993	Lavin, Sr.	D8/354
5,280,133	A	1/1994	Nath	
5,330,362	A	7/1994	Ito et al.	
5,886,890	A	3/1999	Ishida et al.	
5,951,785	A	9/1999	Uchihashi et al.	
6,046,400	A	4/2000	Drummer	
6,066,797	A	5/2000	Toyomura et al.	
6,111,189	A	8/2000	Garvison et al.	
D436,310	S *	1/2001	Arnold	D8/354
6,201,180	B1	3/2001	Meyer et al.	

FIG. 2 is a front plan view of a AC module mounting bracket embodying the new design;

FIG. 3 is a rear plan view of a AC module mounting bracket embodying the new design;

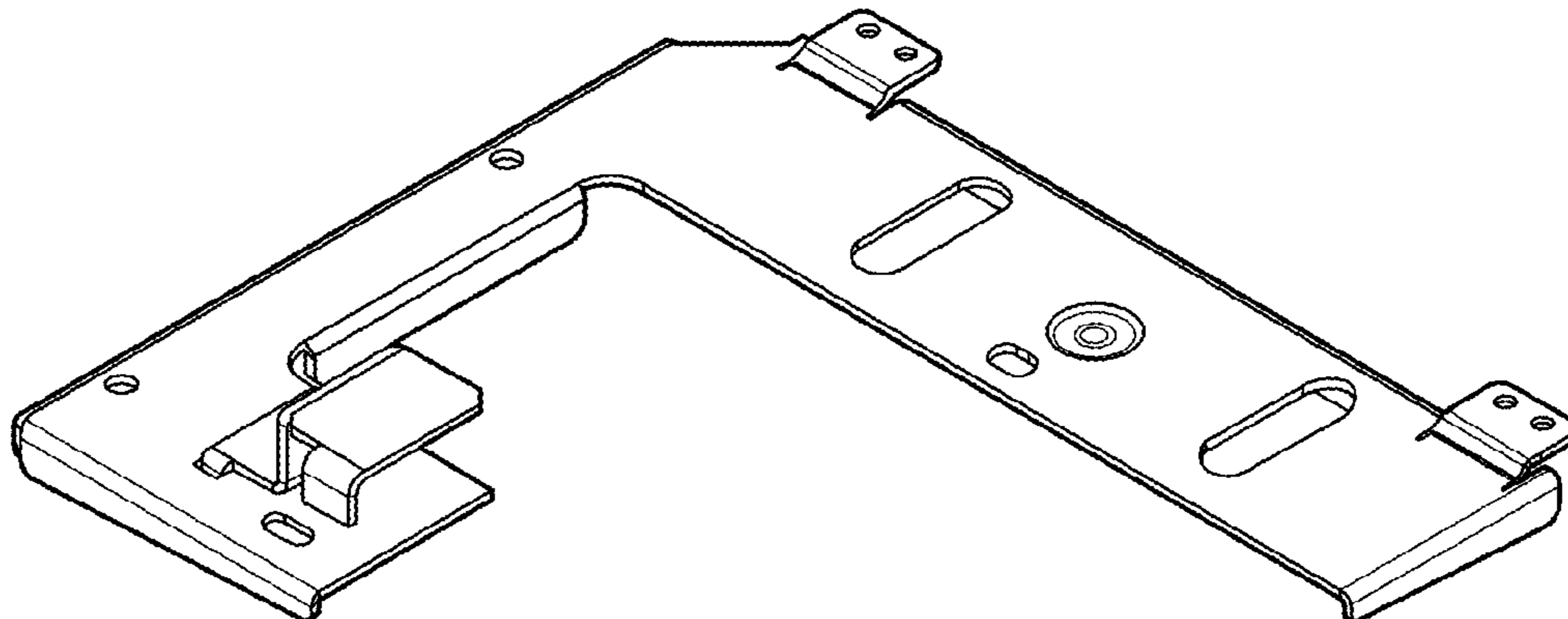
FIG. 4 is a top plan view of a AC module mounting bracket embodying the new design;

FIG. 5 is a bottom plan view of a AC module mounting bracket embodying the new design;

FIG. 6 is a left side view of a AC module mounting bracket embodying the new design; and,

FIG. 7 is a right side view of a AC module mounting bracket embodying the new design.

1 Claim, 5 Drawing Sheets



(56)

References Cited

U.S. PATENT DOCUMENTS

6,344,612 B1 2/2002 Kuwahara et al.
 6,384,580 B1 5/2002 Ochoa et al.
 6,465,724 B1 10/2002 Garvison et al.
 6,465,993 B1 10/2002 Clarkin et al.
 6,582,249 B1 6/2003 Boeck et al.
 6,593,521 B2 7/2003 Kobayashi
 6,605,881 B2 8/2003 Takehara et al.
 6,713,890 B2 3/2004 Kondo et al.
 6,750,391 B2 6/2004 Bower et al.
 6,791,024 B2 9/2004 Toyomura
 6,838,611 B2 1/2005 Kondo et al.
 6,897,370 B2 5/2005 Kondo et al.
 7,291,036 B1 11/2007 Daily et al.
 7,297,866 B2 11/2007 Aschenbrenner
 7,342,171 B2 3/2008 Khouri et al.
 7,387,537 B1 6/2008 Daily et al.
 7,406,800 B2 8/2008 Cinnamon et al.
 D594,312 S * 6/2009 Clarke D8/354
 D594,313 S * 6/2009 Clarke D8/354
 7,625,238 B2 12/2009 Duesterhoeft
 D612,224 S * 3/2010 Wendt D8/354
 D628,459 S * 12/2010 Minkley et al. D8/349
 7,850,476 B2 12/2010 Good
 7,862,383 B2 1/2011 Cours et al.
 7,880,098 B2 2/2011 Grimberg et al.
 D649,026 S * 11/2011 Kong et al. D8/381
 8,113,853 B2 2/2012 Coyle et al.
 D679,174 S * 4/2013 Nowak D8/381
 2002/0115329 A1 8/2002 Collin et al.
 2003/0111103 A1 6/2003 Bower et al.
 2003/0193322 A1 10/2003 Higashikozono et al.
 2004/0024494 A1 2/2004 Bayoumi et al.
 2004/0177987 A1 9/2004 Yoshikawa et al.
 2004/0261835 A1 12/2004 Utsunomiya et al.
 2005/0022859 A1 2/2005 Nass et al.
 2005/0054219 A1 3/2005 Werner et al.
 2005/0054244 A1 3/2005 Werner et al.
 2005/0116671 A1 6/2005 Minami et al.
 2005/0161080 A1 7/2005 Nieleck et al.
 2005/0172995 A1 8/2005 Rohrig et al.
 2005/0268958 A1 12/2005 Aoyama
 2006/0000504 A1 1/2006 Feldmeier et al.
 2006/0146504 A1 7/2006 Belson et al.
 2006/0180196 A1 8/2006 Lares et al.
 2006/0243318 A1 11/2006 Feldmeier et al.
 2006/0283628 A1 12/2006 Feldmeier et al.
 2006/0289053 A1 12/2006 Nieleck et al.
 2007/0252716 A1 11/2007 Burger
 2007/0295392 A1 12/2007 Cinnamon
 2007/0295393 A1 12/2007 Cinnamon
 2008/0011348 A1 1/2008 Aoyama et al.
 2008/0115822 A1 5/2008 Cunningham et al.
 2008/0115911 A1 5/2008 Duesterhoeft
 2008/0197702 A1 * 8/2008 Banach 307/11
 2008/0236886 A1 10/2008 Gerull et al.
 2008/0277161 A1 11/2008 Gherardini et al.
 2008/0283118 A1 11/2008 Rotzoll et al.
 2008/0305668 A1 12/2008 Wu
 2009/0084570 A1 4/2009 Gherardini et al.
 2010/0102773 A1 4/2010 Lipcsei
 2010/0131108 A1 5/2010 Meyer

FOREIGN PATENT DOCUMENTS

EP 0 855 750 A1 7/1998
 EP 1 672 702 A1 6/2006

EP 1 998 378 A1 12/2008
 JP 09-135571 5/1997
 JP 2002-058152 2/2002
 JP 2004-274088 9/2004
 JP 2004-289181 10/2004
 JP 2008-177078 7/2008
 WO WO 00/30216 5/2000
 WO WO 03/056680 A2 7/2003
 WO WO 03/098703 A2 11/2003
 WO WO 2004/006342 A1 1/2004
 WO WO 2005/117136 A2 12/2005
 WO WO 2007/140736 A1 12/2007
 WO WO 2008/095670 A1 8/2008
 WO WO 2008/108909 A1 9/2008
 WO WO 2008/144554 A2 11/2008
 WO WO 2005/117245 A1 12/2008
 WO WO 2009/088977 A1 7/2009
 WO WO 2010/091445 A1 8/2010
 WO WO 2011/031248 A2 3/2011

OTHER PUBLICATIONS

Pending U.S. Appl. No. 12/284,915, "Universal Interface for A Photovoltaic Module" filed Sep. 26, 2008, pp. 1-13.
 Digi-Key Corporation, Tyco Electronics, "Solar Energy & Solarlok", pp. 1-18, downloaded Jun. 2, 2010 from website <http://dkc1.digikey.com/us/en/tod/TycoElectronicsAMP/Solarlok/Solarlok.swf>.
 International Search Report and Written Opinion mailed Oct. 2, 2008 for PCT Application No. PCT/US2008/063937.
 International Search Report and Written Opinion mailed Dec. 23, 2008 for PCT Application No. PCT/US2008/063965.
 International Search Report and Written Opinion mailed Jan. 19, 2009 for PCT Application No. PCT/US2008/063958.
 International Search Report and Written Opinion mailed Nov. 26, 2009 for PCT Application No. PCT/US2008/063965.
 International Search Report and Written Opinion mailed Nov. 26, 2009 for PCT Application No. CT/US2008/063937.
 H. Oldenkamp et al., AC modules: past, present and future, Workshop Installing the solar solution, Jan. 22-23, 1998, Hatfield, UK.
 C. Rodriguez et al., Long-Lifetime Power Inverter for Photovoltaic AC Modules, IEEE Transactions on Industrial Electronics, vol. 55, No. 7, Jul. 2008.
 S. J. Strong et al., Development of Standardized, Low-Cost AC PV Systems, NREL/SR-520-23002, Jun. 1997.
 S. J. Strong et al., Development of Standardized, Low-Cost AC PV Systems, NREL/SR-520-26084, Feb. 1999.
 J. Hoffner et al., A PV Window Awning System on the University of Texas Houston Heal Science Center Using AC-Modules, 0-7803-5772-8-00, 2000.
 M.G. Russell et al., Sunsine300 AC Module, Annual Report Jul. 25, 1995-Dec. 31, 1996, NREL/SR-520-23432, UC Category 1280.
 G. Kern, Sunsine300: Manufacture of an AC Photovoltaic Module, Final Report, Phases I & II Jul. 25, 1995-Jun. 30, 1998, NREL/SR-520-26085.
 W. Bower et al., Innovative PV Micro-Inverter Topology Eliminates Electrolytic Capacitors for Longer Lifetime, 1-4244-0016-3/06, 2006.
 Examination Report for Canada Patent Application No. 2698046 dated Jun. 13, 2012; 2 pages.
 International Search Report and Written Opinion mailed Nov. 1, 2012 for PCT Application No. PCT/US2012/047044.

* cited by examiner

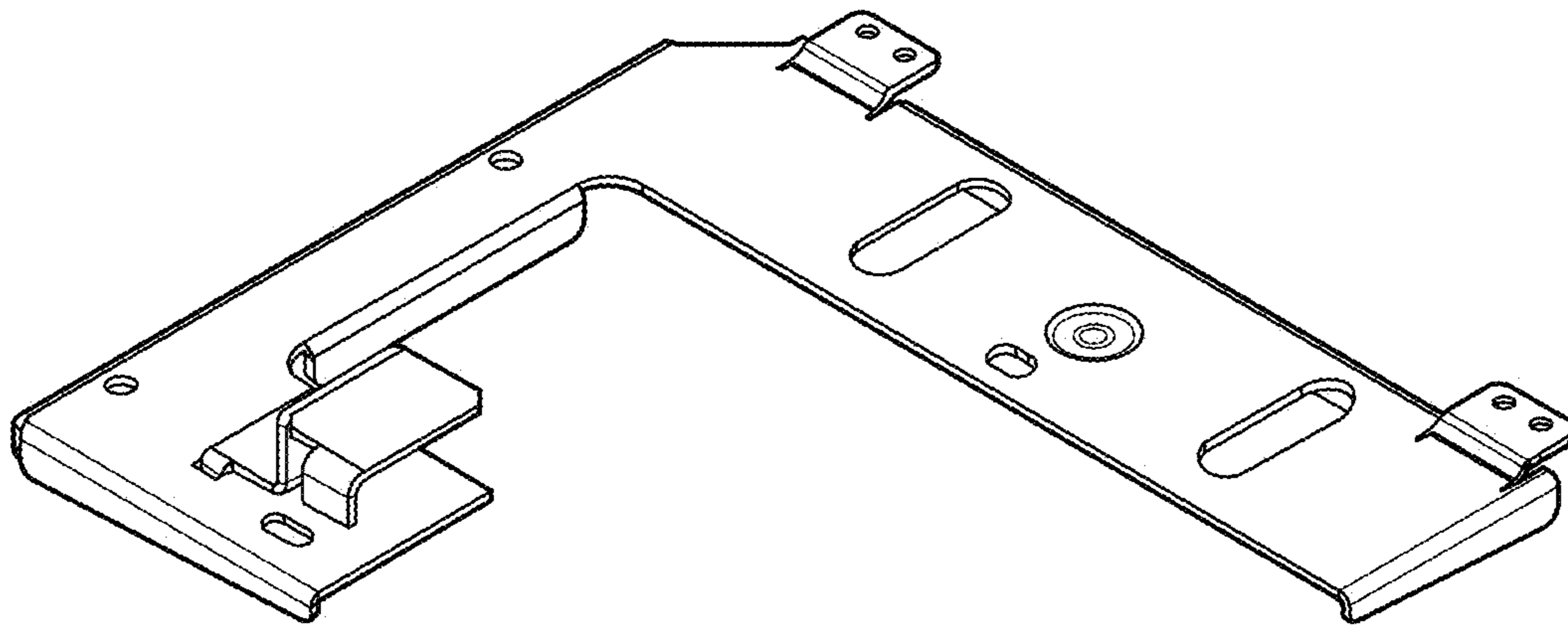


FIG. 1

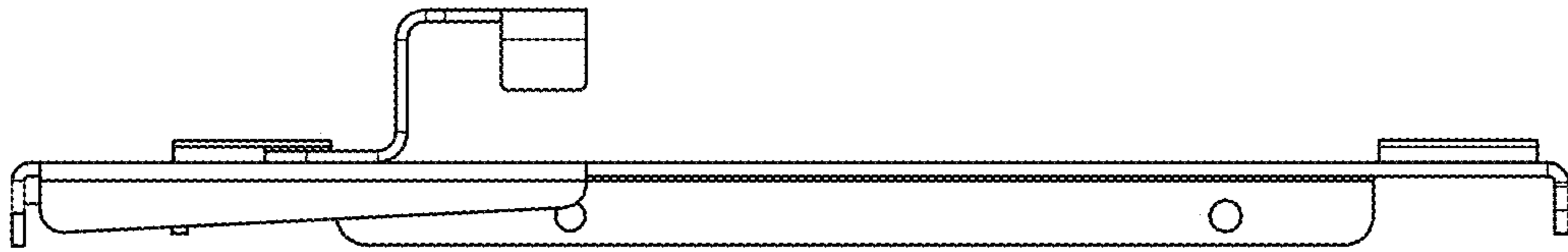


FIG. 2

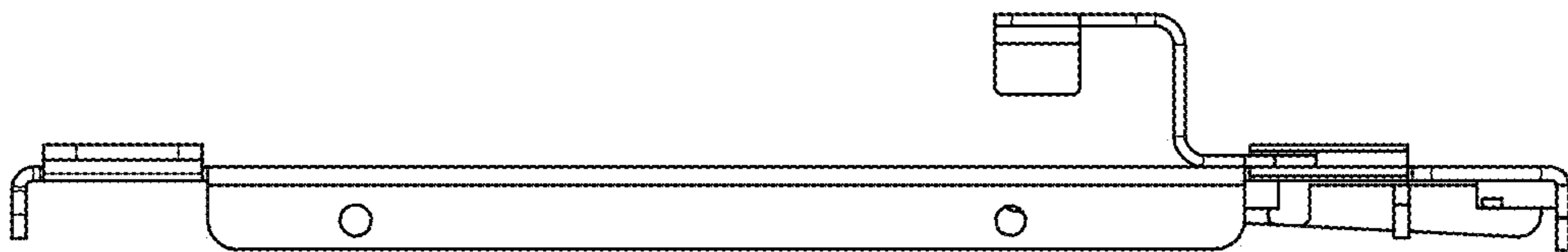


FIG. 3

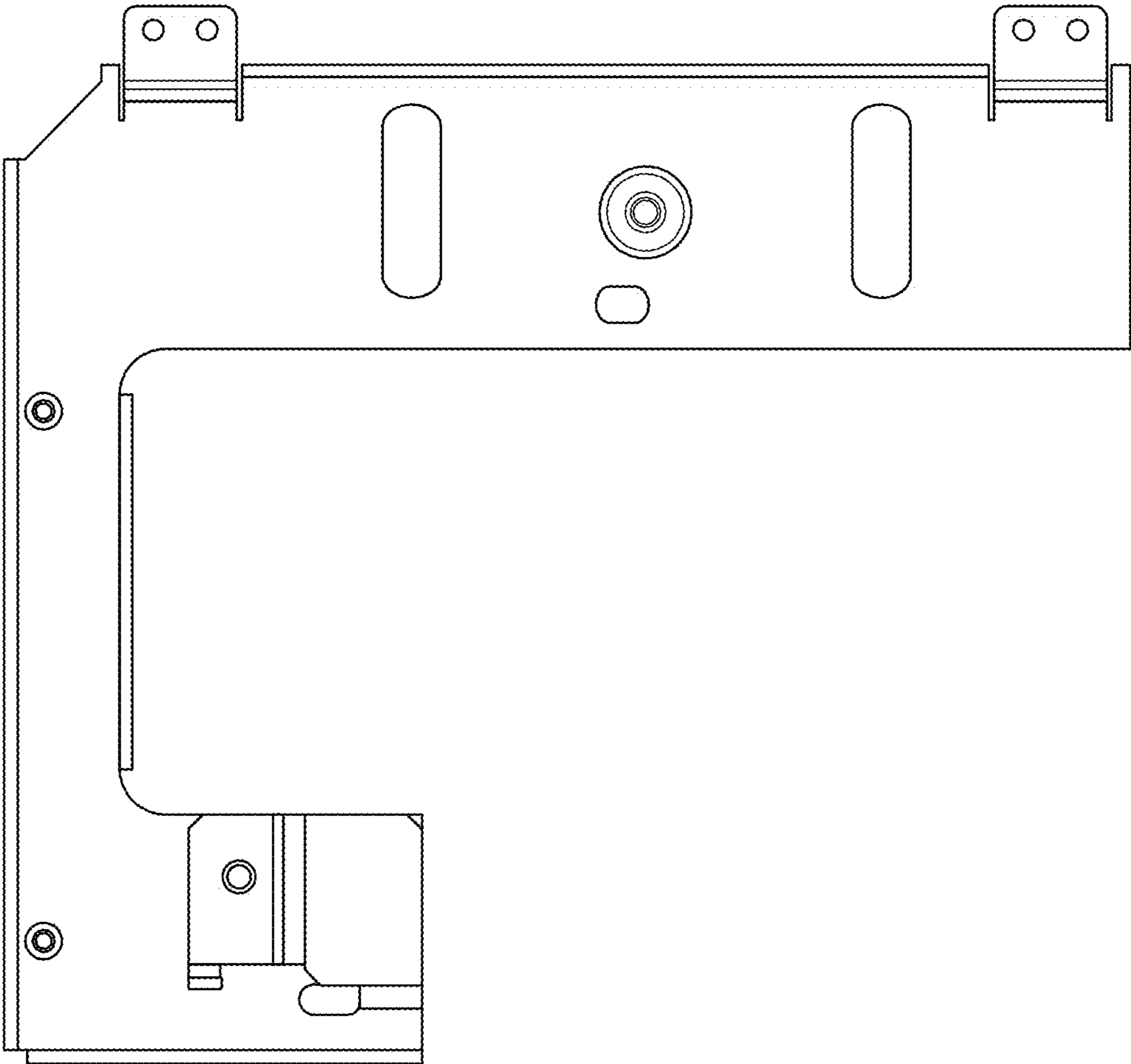


FIG. 4

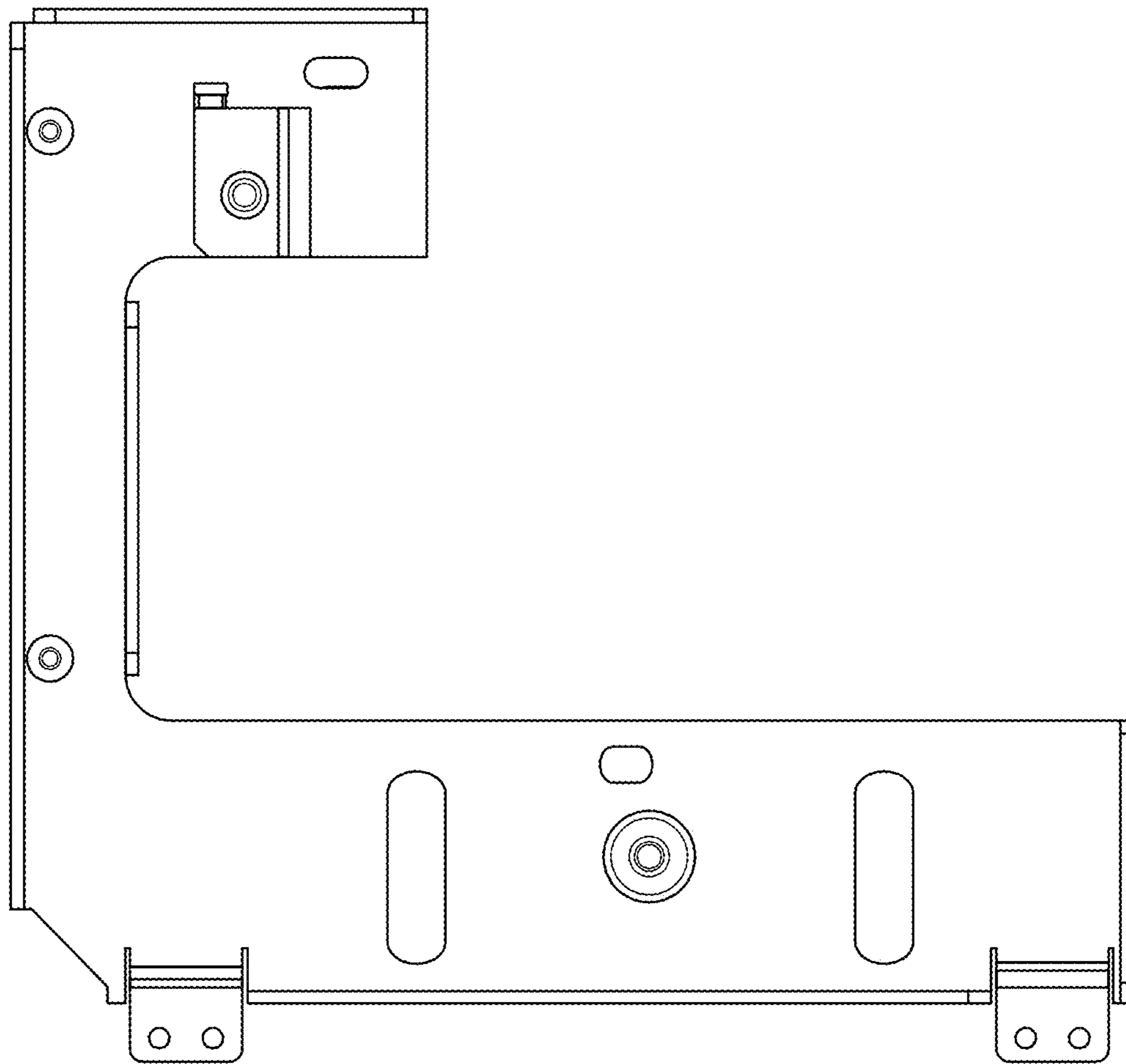


FIG. 5

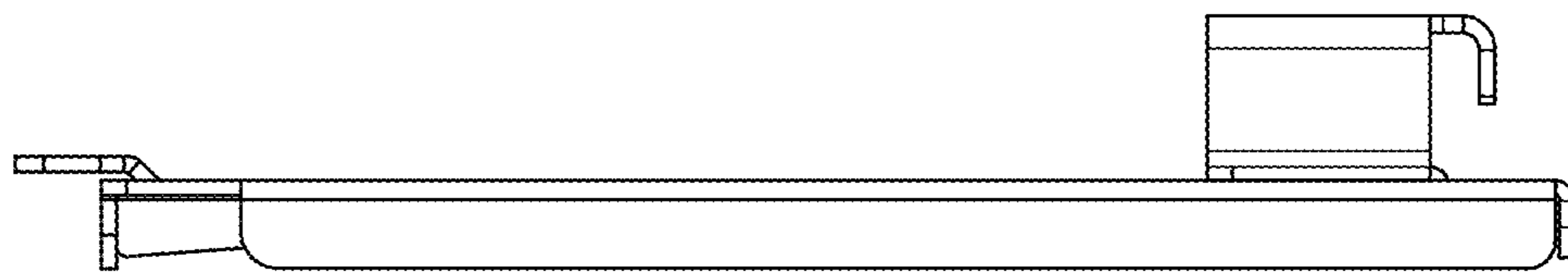


FIG. 6

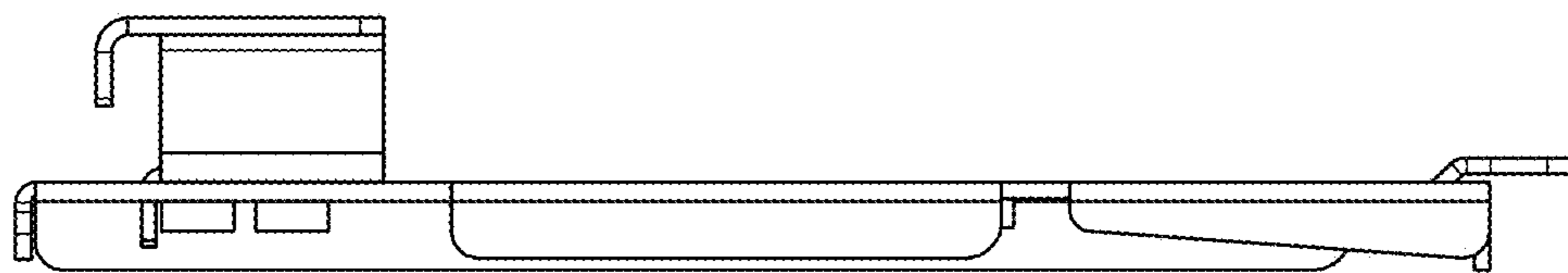


FIG. 7