



US00D734652S

(12) **United States Design Patent**
Kondratuk

(10) **Patent No.:** **US D734,652 S**

(45) **Date of Patent:** **** Jul. 21, 2015**

(54) **SHAPED SPINDLE OF A DOOR HANDLE FOR OPERATING A DOOR LOCK BOX**

(71) Applicant: **Larson Manufacturing Company of South Dakota**, Brookings, SD (US)

(72) Inventor: **Michael Kondratuk**, Brookings, SD (US)

(73) Assignee: **Larson Manufacturing Company of South Dakota, Inc.**, Brookings, SD (US)

(**) Term: **14 Years**

(21) Appl. No.: **29/487,263**

(22) Filed: **Apr. 7, 2014**

Related U.S. Application Data

(63) Continuation-in-part of application No. 29/432,653, filed on Sep. 18, 2012, now Pat. No. Des. 706,112.

(51) **LOC (10) Cl.** **08-07**

(52) **U.S. Cl.**
USPC **D8/343**

(58) **Field of Classification Search**

USPC D8/330, 343, 349, 354, 339, 400, 404, D8/383, 499, DIG. 2, 222, 216, 472, 422; 70/51, 141, 212, 224, 229, 33 R, 431, 70/452, 320, 329, 181, DIG. 3, DIG. 4, 70/DIG. 31; 292/336.5, 137, 358
CPC ... E05B 55/05; E05B 2001/0076; E05B 1/12; E05B 1/16; E05C 1/00; E05C 1/002; E05C 1/08

See application file for complete search history.

(56) **References Cited**

U.S. PATENT DOCUMENTS

2,520,669 A 8/1950 Wicks
3,954,292 A 5/1976 Johnson

4,667,994 A * 5/1987 Foshee 292/358
4,749,072 A * 6/1988 Lichty et al. 192/40
4,798,352 A 1/1989 Naso et al.
5,445,423 A 8/1995 Mader

(Continued)

Primary Examiner — Prabhakar Deshmukh

(74) *Attorney, Agent, or Firm* — Kagan Binder, PLLC

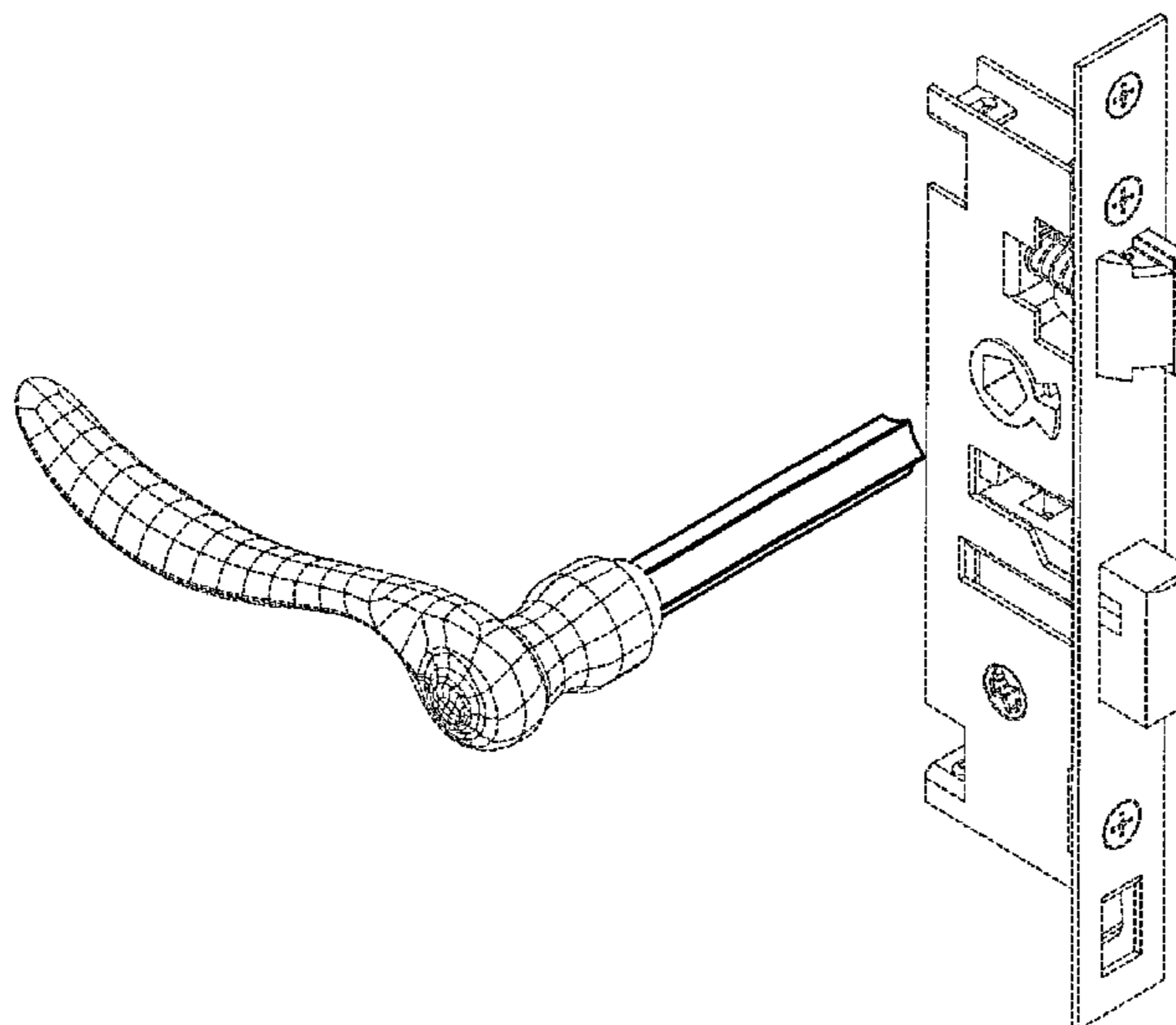
(57) **CLAIM**

The ornamental design for a shaped spindle of a door handle for operating a door lock box, as shown and described.

DESCRIPTION

FIG. 1 is a perspective view of a shaped spindle of a door handle for operating a door lock box showing my new design; FIG. 2 is a top plan view thereof; FIG. 3 is a front elevational view thereof; FIG. 4 is a left side elevational view thereof; FIG. 5 is a right side elevational view thereof; FIG. 6 is a perspective view of a second embodiment of FIG. 1; FIG. 7 is an opposite side perspective of FIG. 6; FIG. 8 is a front elevational view FIG. 6; FIG. 9 is a perspective view of a third embodiment of FIG. 1; FIG. 10 is an opposite side perspective view of FIG. 9; FIG. 11 is a front elevational view of FIG. 9; FIG. 12 is a perspective view of a fourth embodiment of FIG. 1; FIG. 13 is an opposite side perspective view of FIG. 12; FIG. 14 is a front elevational view of FIG. 12; FIG. 15 is a perspective view of a fifth embodiment of FIG. 1; FIG. 16 is an opposite side perspective view of FIG. 15; and, FIG. 17 is a front elevational view of FIG. 15.
The broken lines illustrate the unclaimed portions and environment and form no part of the claimed design.

1 Claim, 7 Drawing Sheets



(56)

References Cited

U.S. PATENT DOCUMENTS

5,529,354 A 6/1996 Studt et al.
5,562,317 A 10/1996 Kuo et al.
5,620,211 A 4/1997 Ellis
5,658,026 A 8/1997 Nigro et al.
6,039,452 A 3/2000 Iimura
D429,612 S 8/2000 Hames
6,302,453 B1 10/2001 Norton
D464,249 S 10/2002 Laabs et al.
6,997,024 B2 2/2006 Etlicher

7,152,442 B2* 12/2006 Char et al. 70/107
7,172,226 B2 2/2007 Walls et al.
7,354,081 B2* 4/2008 Kondratuk 292/169
7,604,266 B2 10/2009 Ellis
7,871,112 B2* 1/2011 Kondratuk et al. 292/137
8,234,892 B2* 8/2012 Lavery et al. 70/107
8,256,806 B2* 9/2012 Timothy 292/251.5
8,424,935 B2 4/2013 Moon
8,539,801 B2* 9/2013 Calleberg 70/222
8,739,854 B2* 6/2014 Mullet et al. 160/293.1
8,864,186 B2* 10/2014 Kondratuk 292/165

* cited by examiner

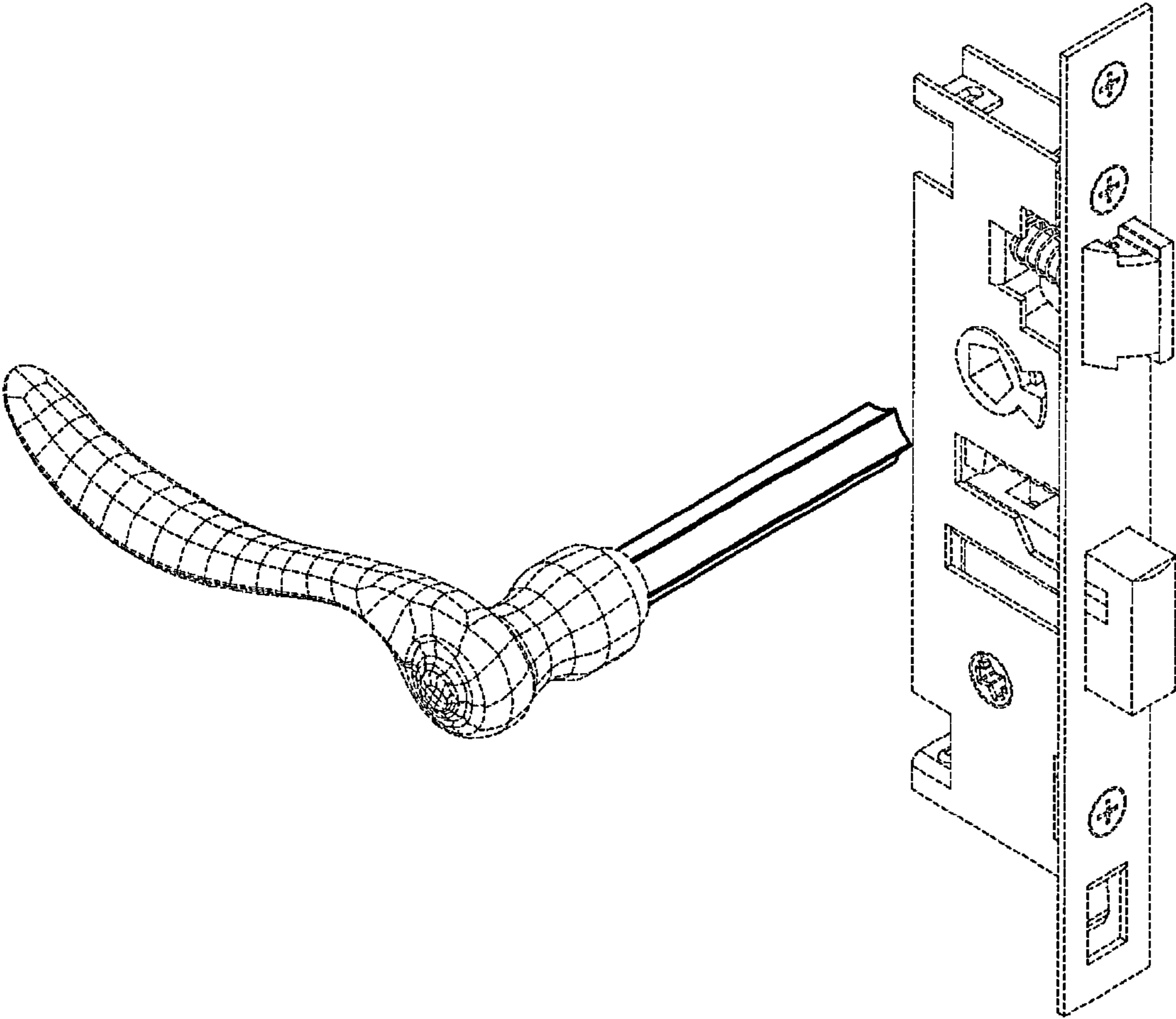


Fig. 1

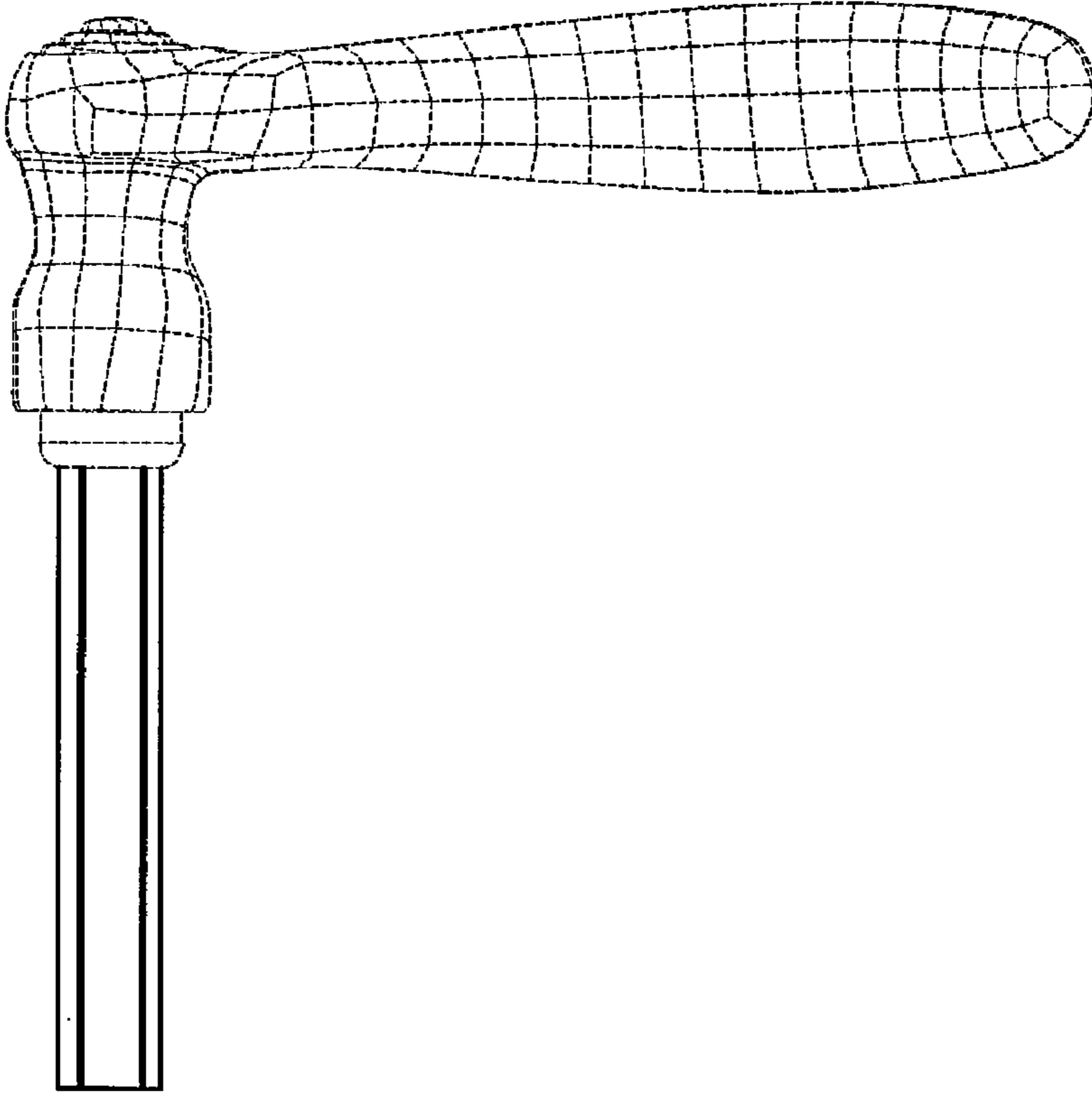


Fig. 2

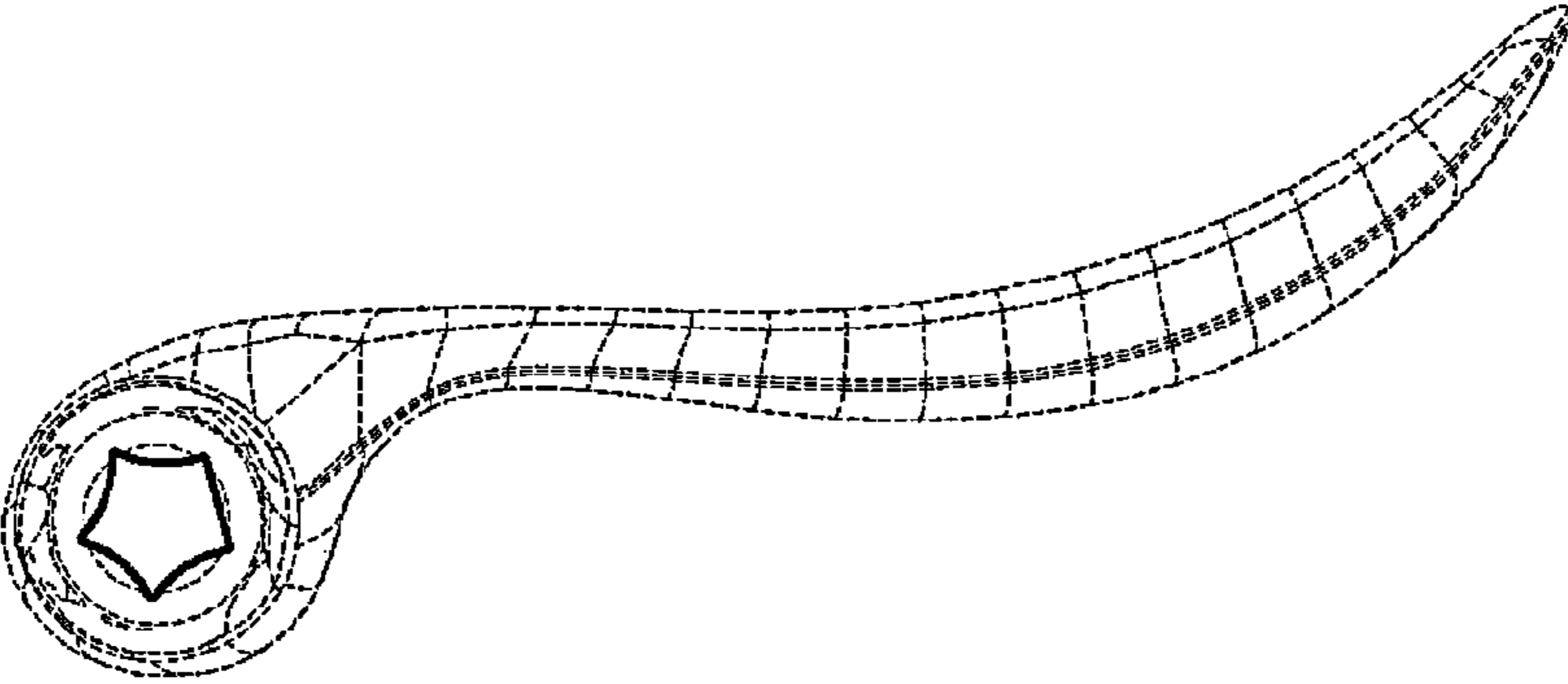


Fig. 3

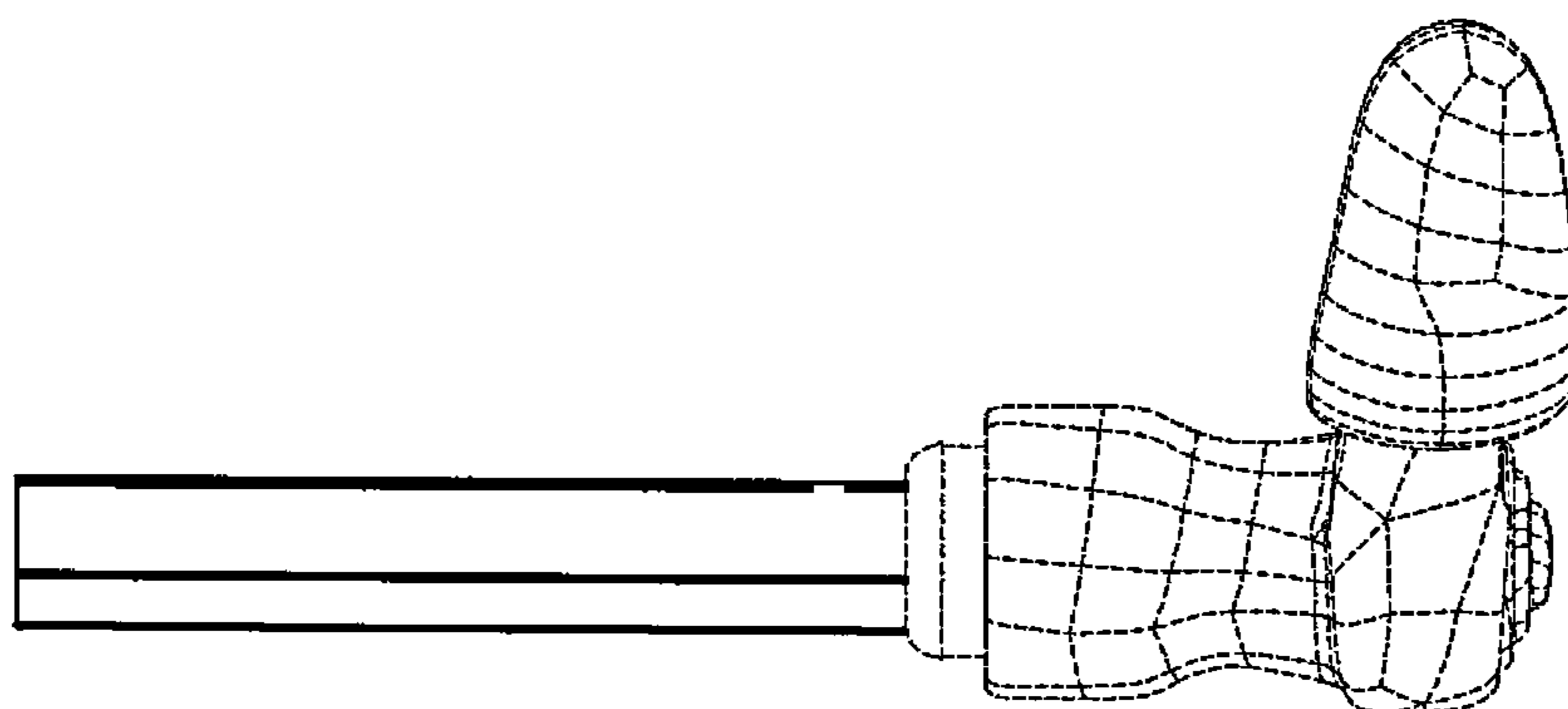


Fig. 4

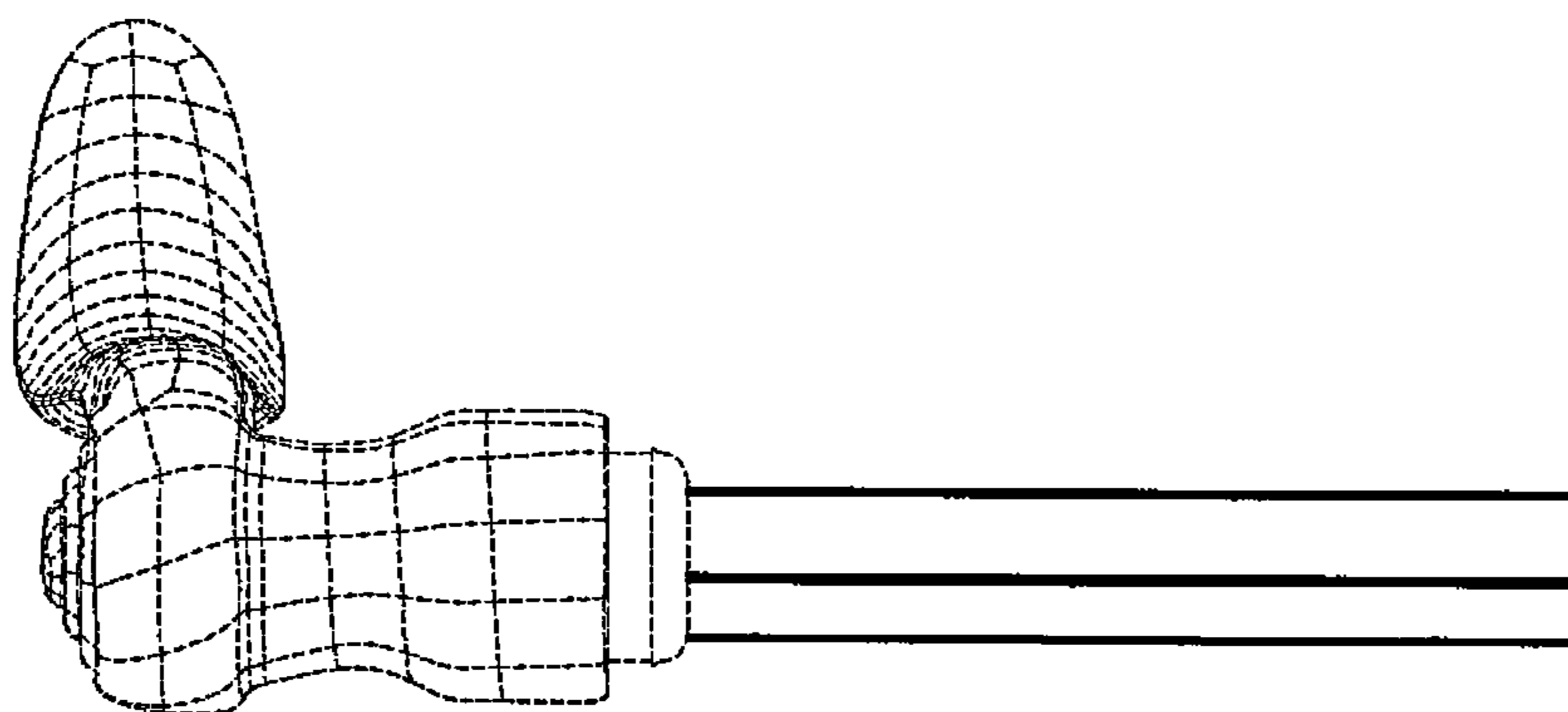


Fig. 5

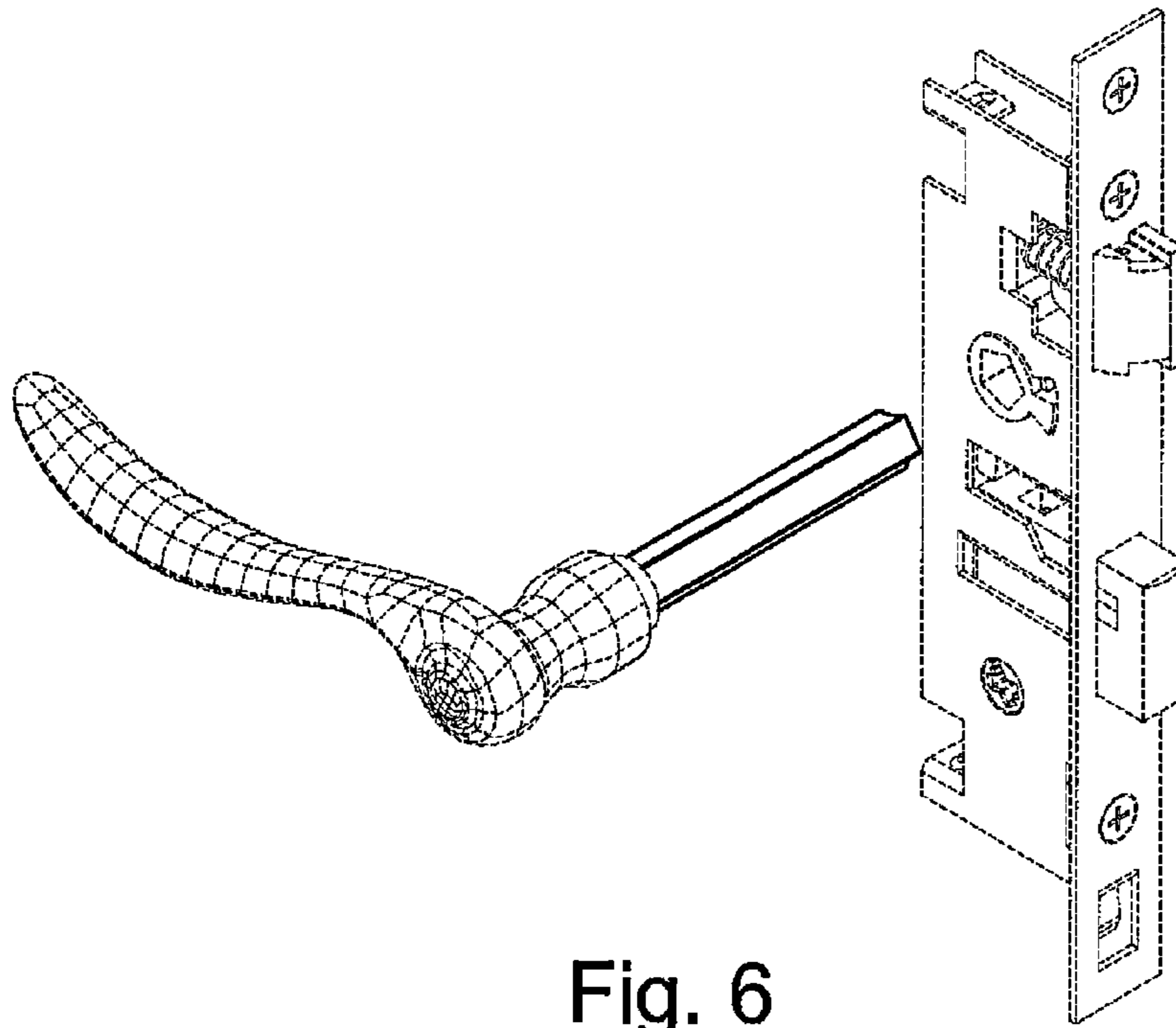


Fig. 6

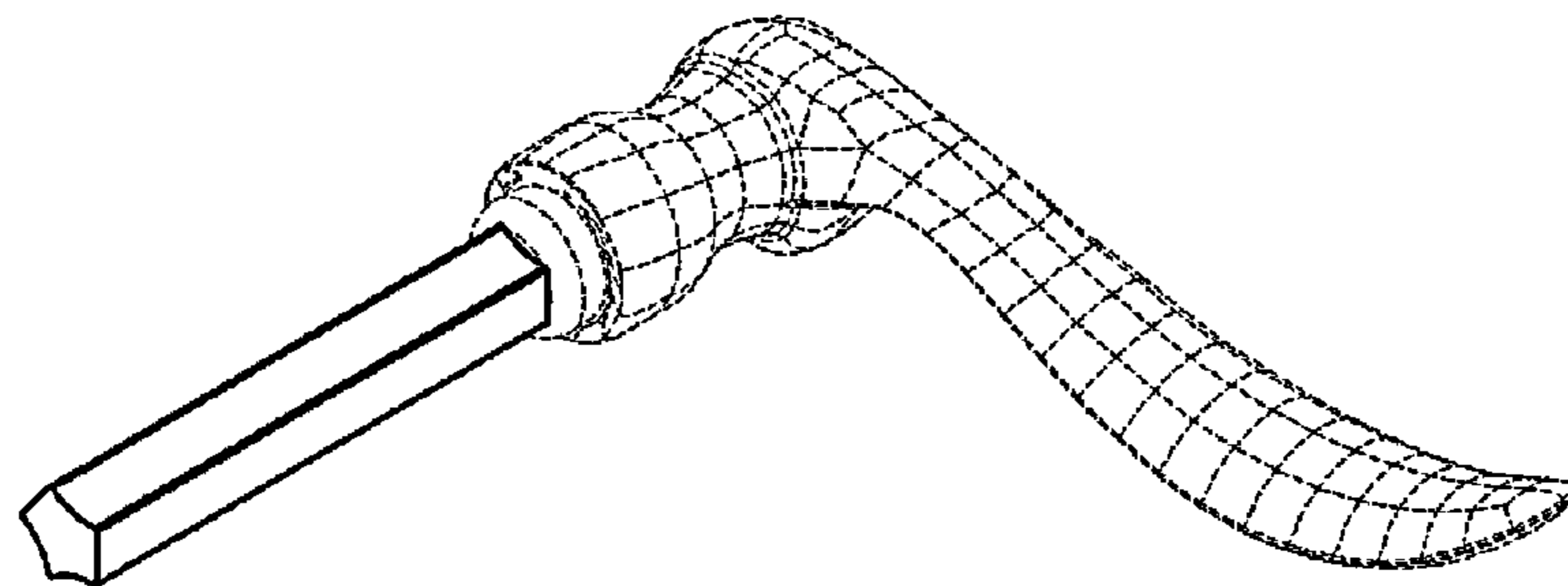


Fig. 7

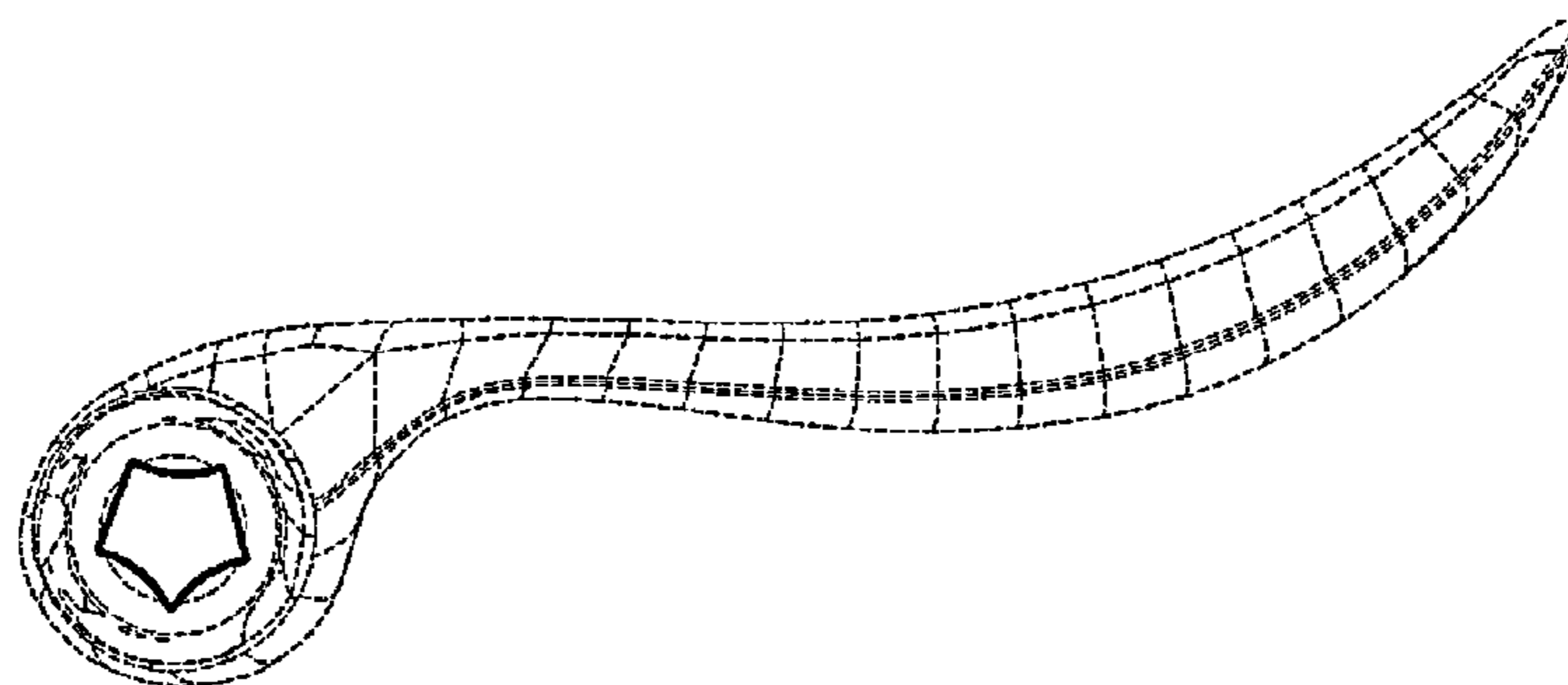


Fig. 8

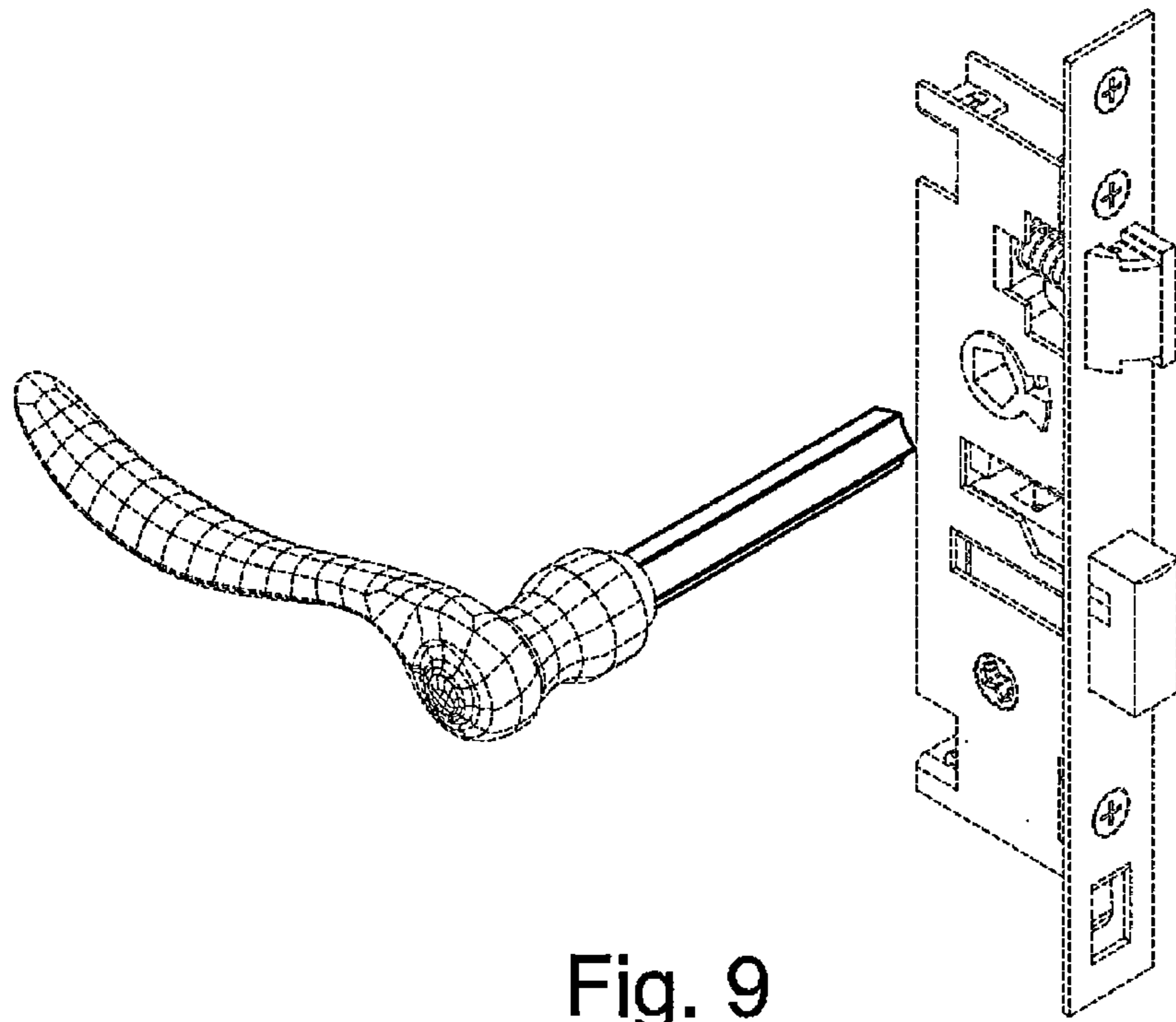


Fig. 9

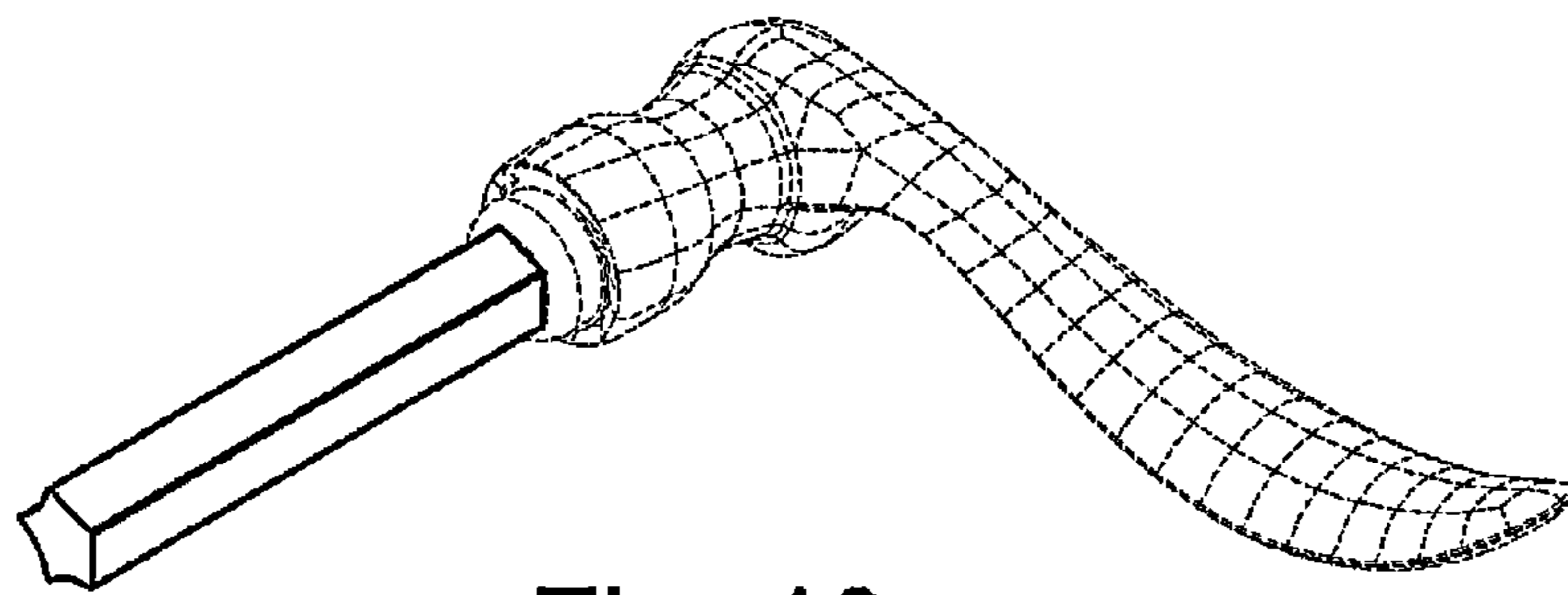


Fig. 10

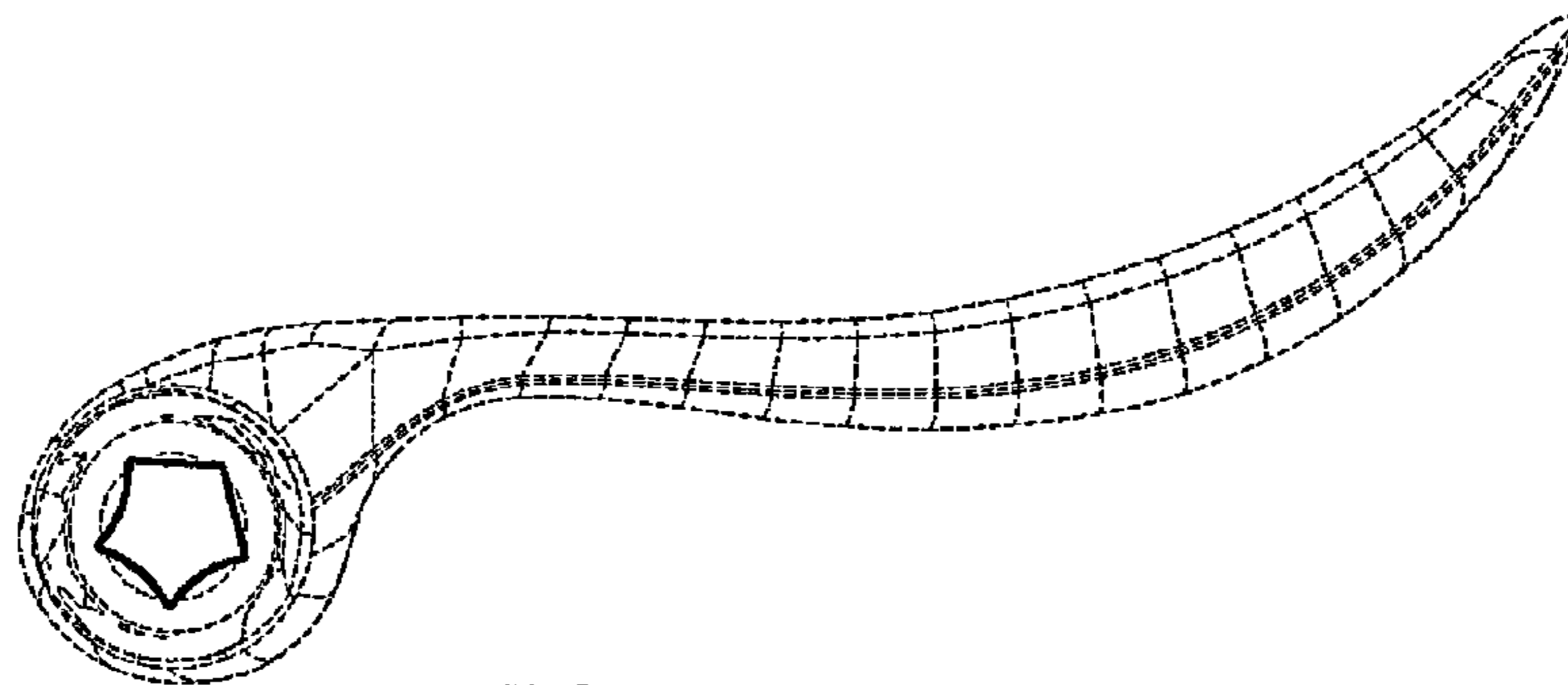


Fig. 11

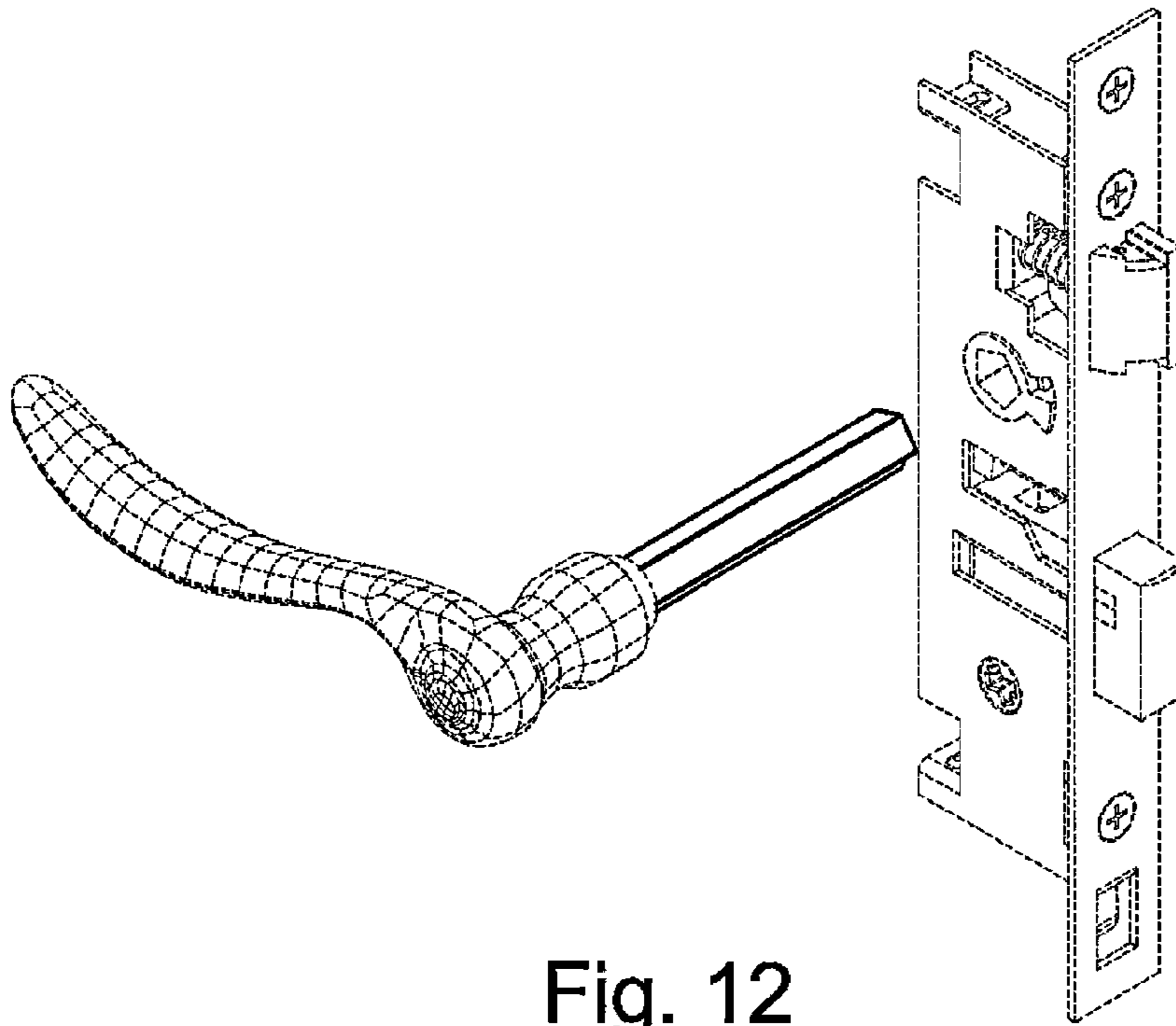


Fig. 12

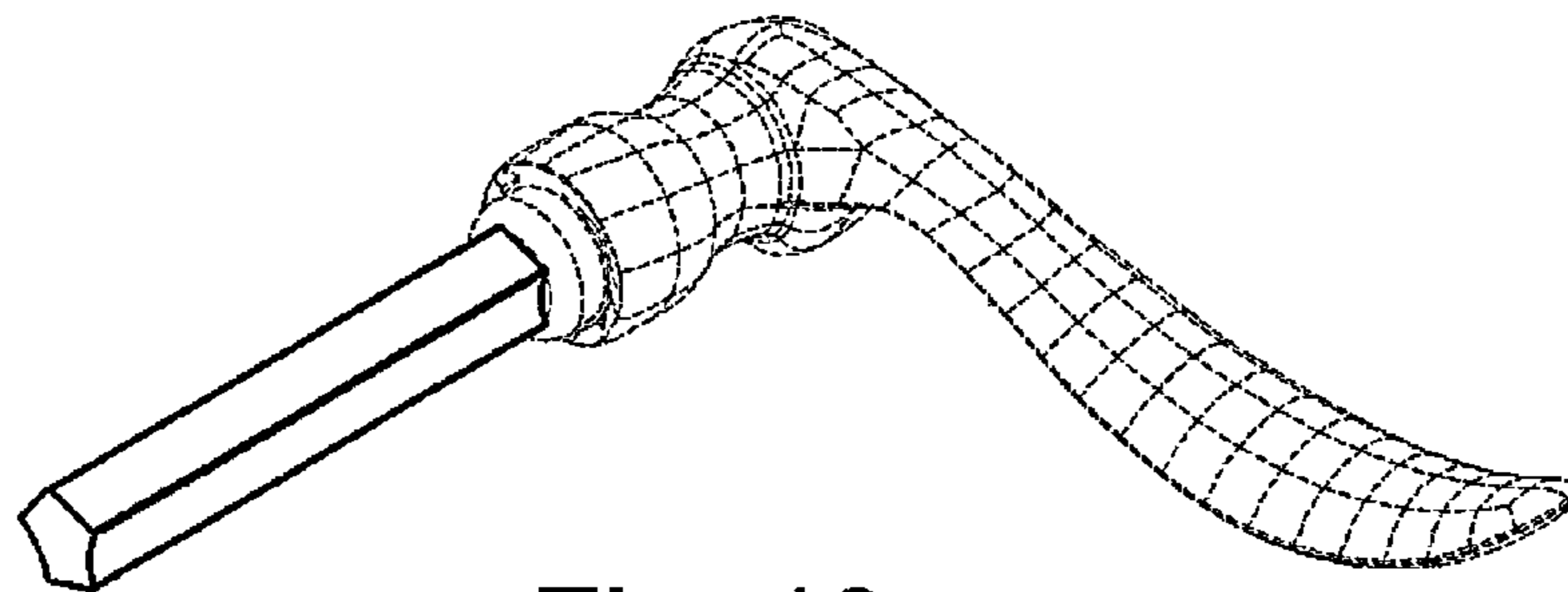


Fig. 13

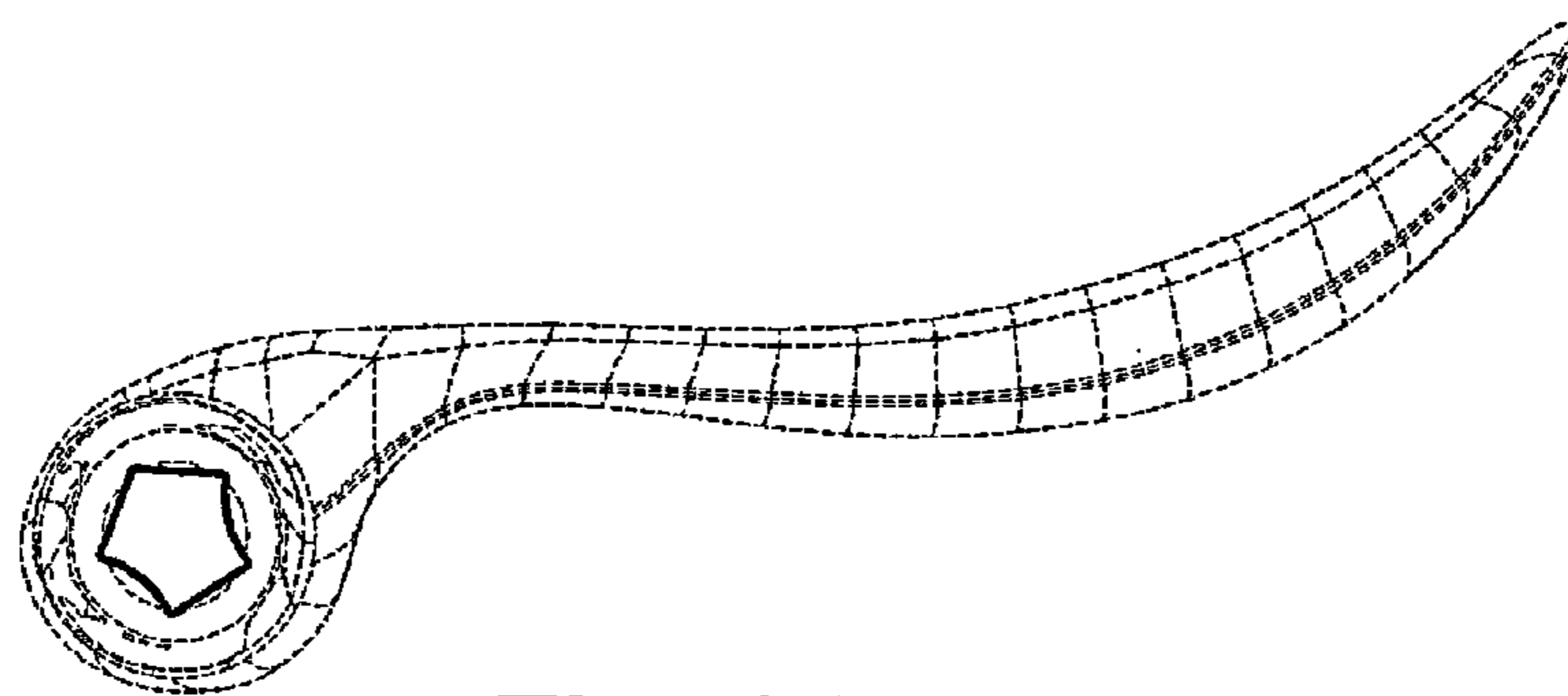


Fig. 14

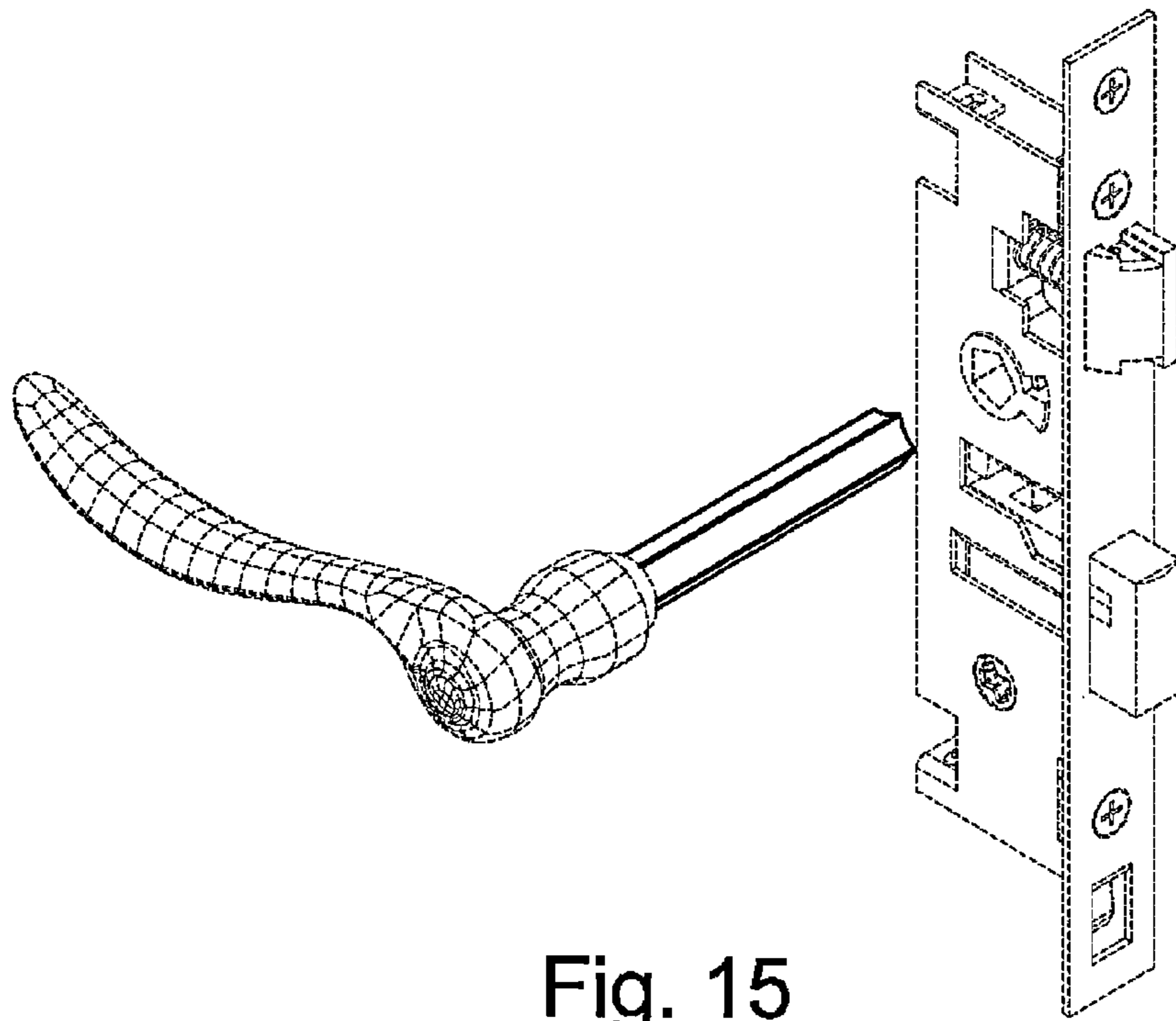


Fig. 15

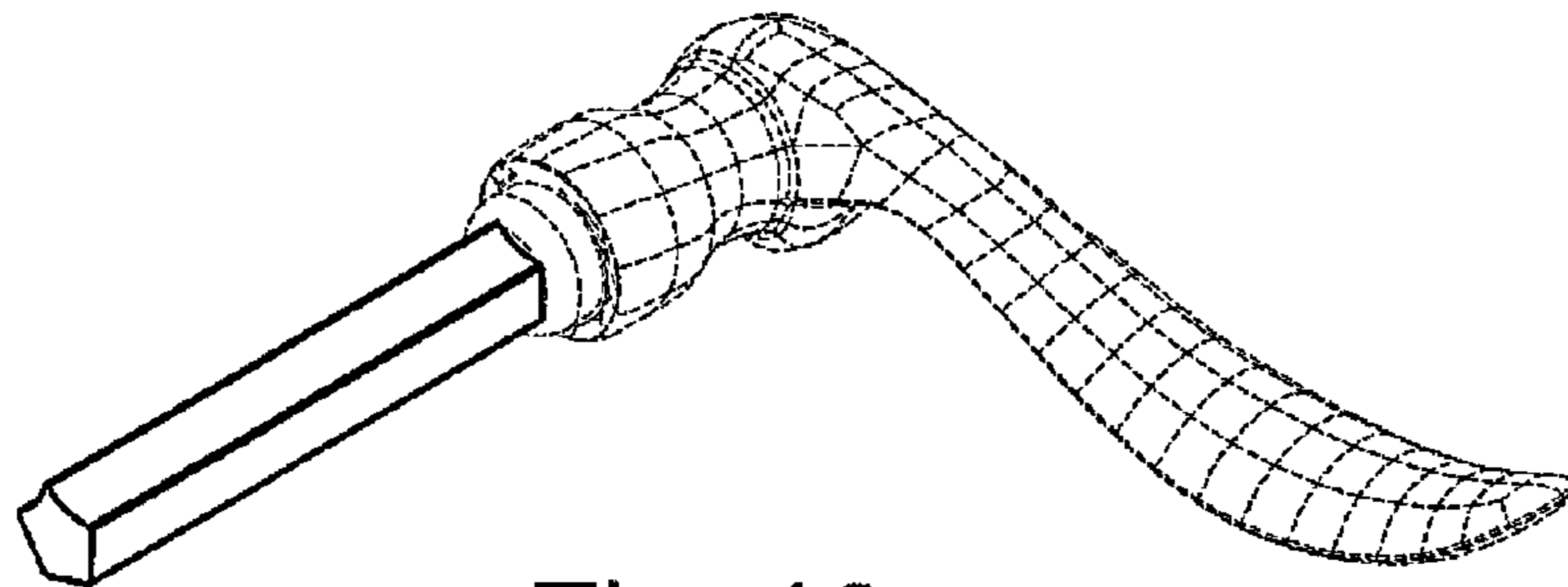


Fig. 16

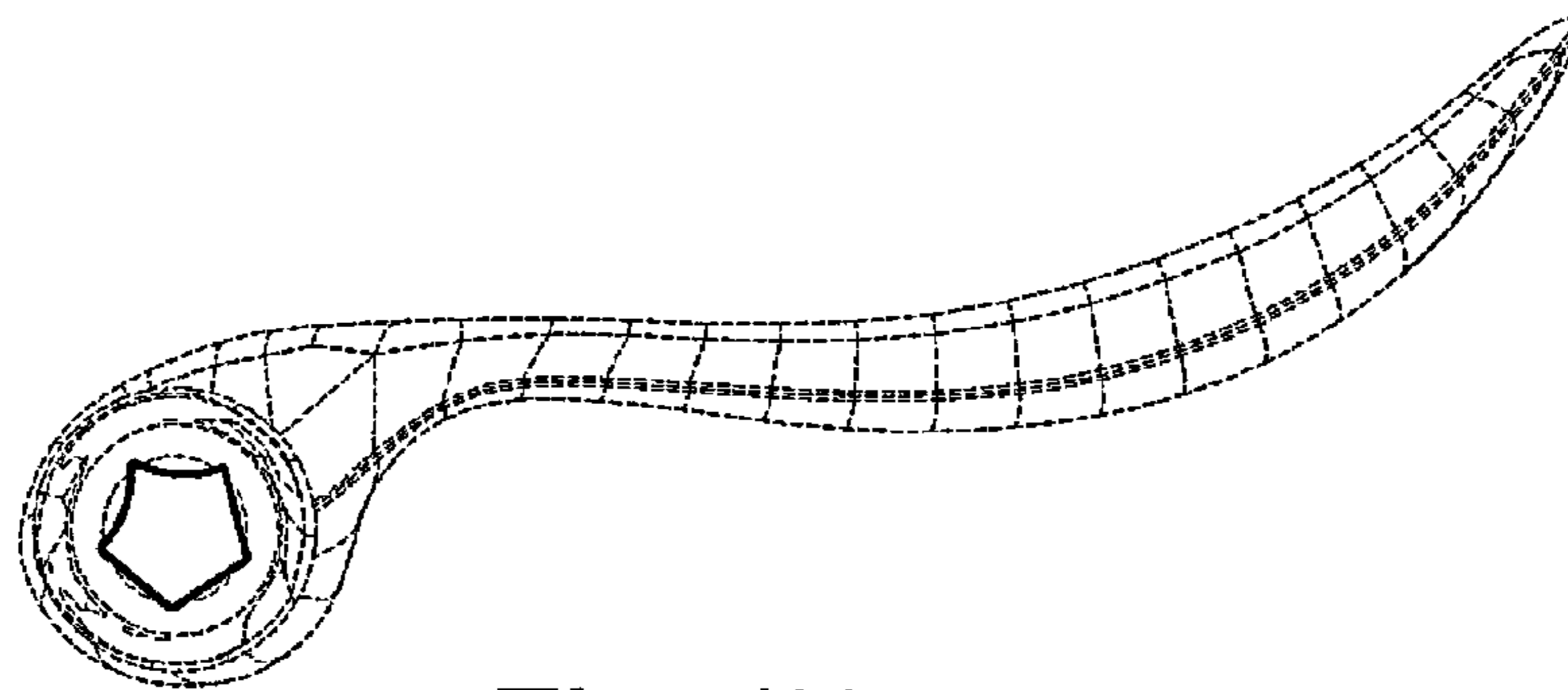


Fig. 17