

US00D734651S

(12) **United States Design Patent**
Kondratuk

(10) **Patent No.:** **US D734,651 S**
(45) **Date of Patent:** **** Jul. 21, 2015**

(54) **SHAPED SPINDLE OF A DOOR HANDLE FOR OPERATING A DOOR LOCK BOX**

(71) Applicant: **Larson Manufacturing Company of South Dakota, Brookings, SD (US)**

(72) Inventor: **Michael Kondratuk, Brookings, SD (US)**

(73) Assignee: **Larson Manufacturing Company of South Dakota, Inc., Brookings, SD (US)**

(**) Term: **14 Years**

(21) Appl. No.: **29/487,261**

(22) Filed: **Apr. 7, 2014**

Related U.S. Application Data

(62) Division of application No. 29/432,653, filed on Sep. 18, 2012, now Pat. No. Des. 706,112.

(51) **LOC (10) Cl.** **08-07**

(52) **U.S. Cl.**
USPC **D8/343**

(58) **Field of Classification Search**
USPC D8/330, 343, 349, 354, 339, 400, 404, D8/383, 499, DIG. 2, 222, 216, 472, 422; 70/51, 141, 212, 224, 229, 33 R, 431, 70/452, 320, 329, 181, DIG. 3, DIG. 4, 70/DIG. 31; 292/336.5, 137, 358
CPC ... E05B 55/05; E05B 2001/0076; E05B 1/12; E05B 1/16; E05C 1/00; E05C 1/002; E05C 1/08

See application file for complete search history.

(56) **References Cited**

U.S. PATENT DOCUMENTS

2,520,669 A 8/1950 Wicks
3,954,292 A 5/1976 Johnson

4,667,994 A *	5/1987	Foshee	292/358
4,749,072 A *	6/1988	Lichty et al.	192/40
4,798,352 A	1/1989	Naso et al.		
5,445,423 A	8/1995	Mader		
5,529,354 A	6/1996	Studt et al.		
5,562,317 A	10/1996	Kuo et al.		
5,620,211 A	4/1997	Ellis		
5,658,026 A	8/1997	Nigro et al.		
6,039,452 A	3/2000	Iimura		
D429,612 S	8/2000	Hames		
6,302,453 B1	10/2001	Norton		
D464,249 S	10/2002	Laabs et al.		
6,997,024 B2	2/2006	Etlicher		
7,152,442 B2 *	12/2006	Char et al.	70/107
7,172,226 B2	2/2007	Walls et al.		
7,354,081 B2 *	4/2008	Kondratuk	292/169
7,604,266 B2	10/2009	Ellis		
7,871,112 B2 *	1/2011	Kondratuk et al.	292/137
8,234,892 B2 *	8/2012	Laverty et al.	70/107
8,256,806 B2 *	9/2012	Timothy	292/251.5
8,424,935 B2	4/2013	Moon		

(Continued)

Primary Examiner — Prabhakar Deshmukh

(74) *Attorney, Agent, or Firm* — Kagan Binder, PLLC

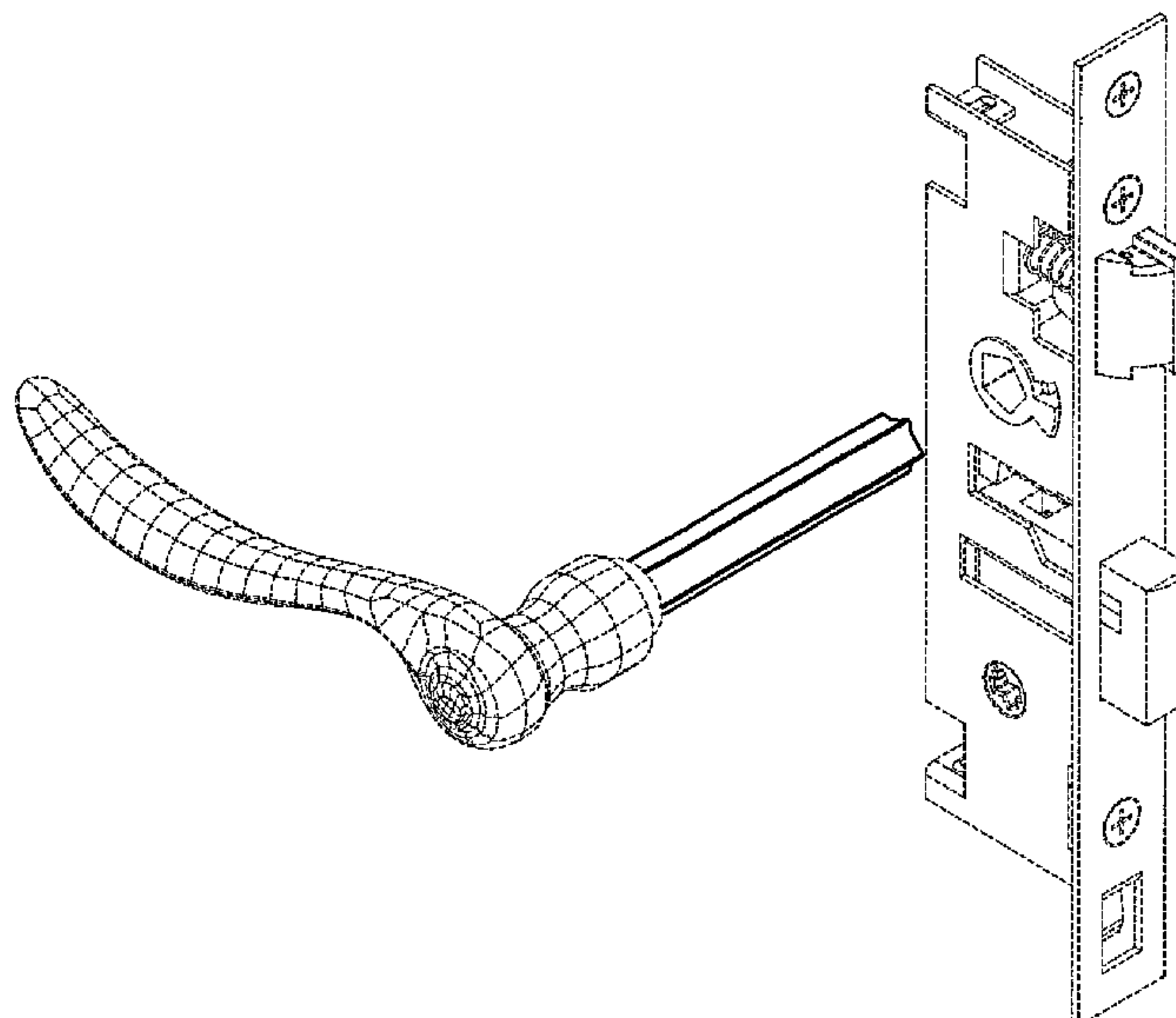
(57) **CLAIM**

The ornamental design for a shaped spindle of a door handle for operating a door lock box, as shown and described.

DESCRIPTION

FIG. 1 is a perspective view of a shaped spindle of a door handle for operating a door lock box showing my new design; FIG. 2 is a top plan view thereof; FIG. 3 is a front elevation view thereof; FIG. 4 is a left side elevation view thereof; and, FIG. 5 is a right side elevation view thereof. The broken lines illustrate the unclaimed portions of the design and form no part of a claimed design. The spindle in FIG. 1 and the lock box in FIG. 1 are shown separately for clarity of illustration.

1 Claim, 3 Drawing Sheets



(56)

References Cited

8,739,854 B2 * 6/2014 Mullet et al. 160/293.1
8,864,186 B2 * 10/2014 Kondratuk 292/165

U.S. PATENT DOCUMENTS

8,539,801 B2 * 9/2013 Calleberg 70/222 * cited by examiner

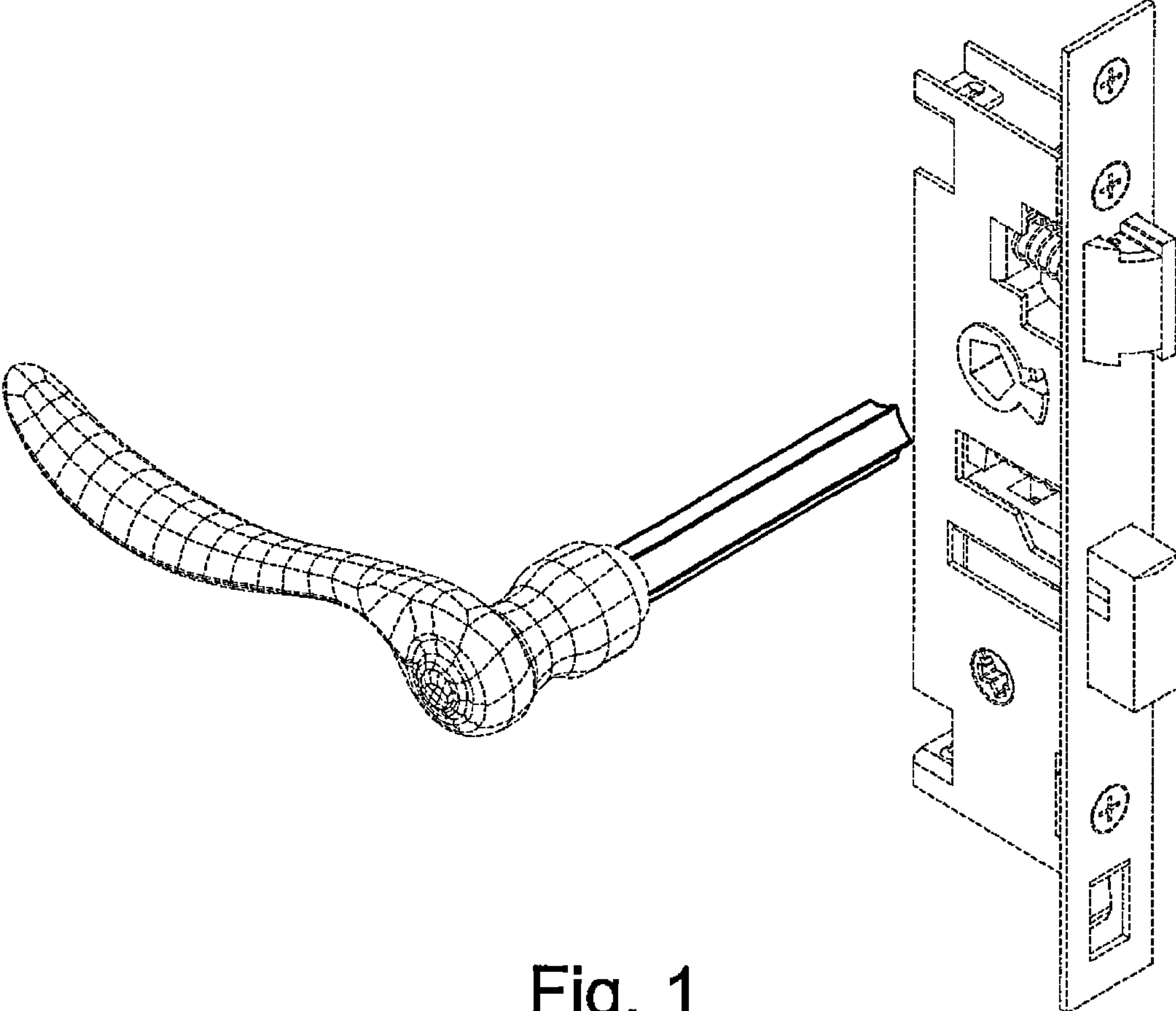


Fig. 1

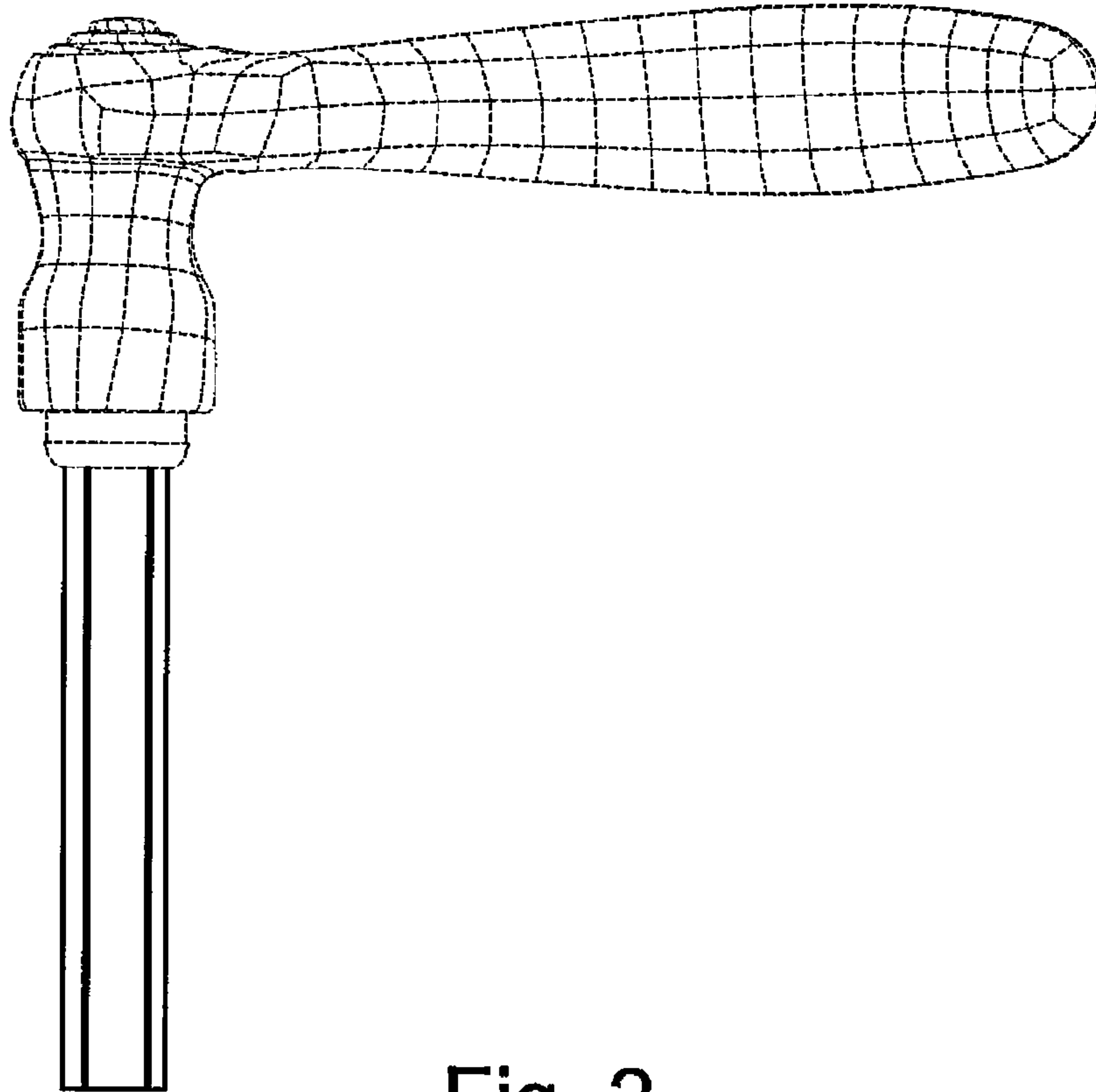


Fig. 2

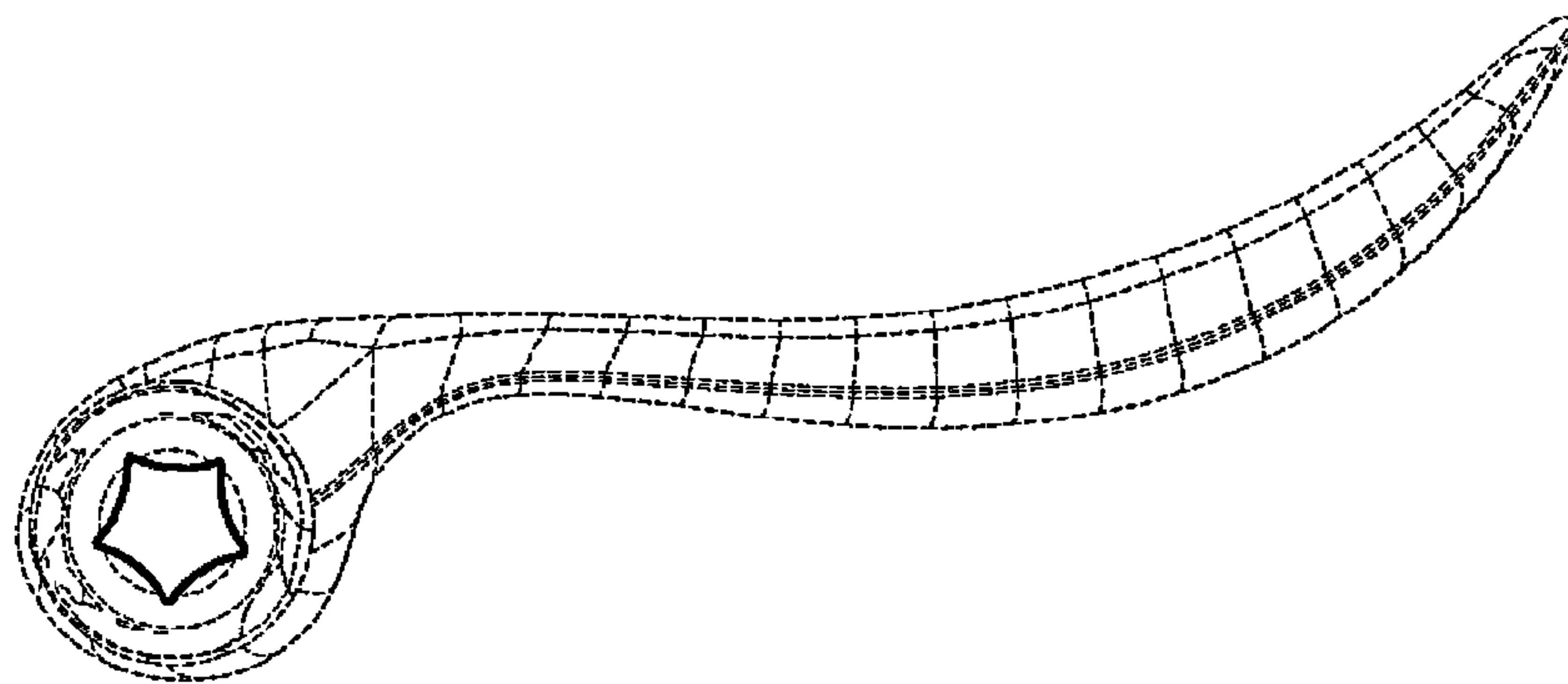


Fig. 3

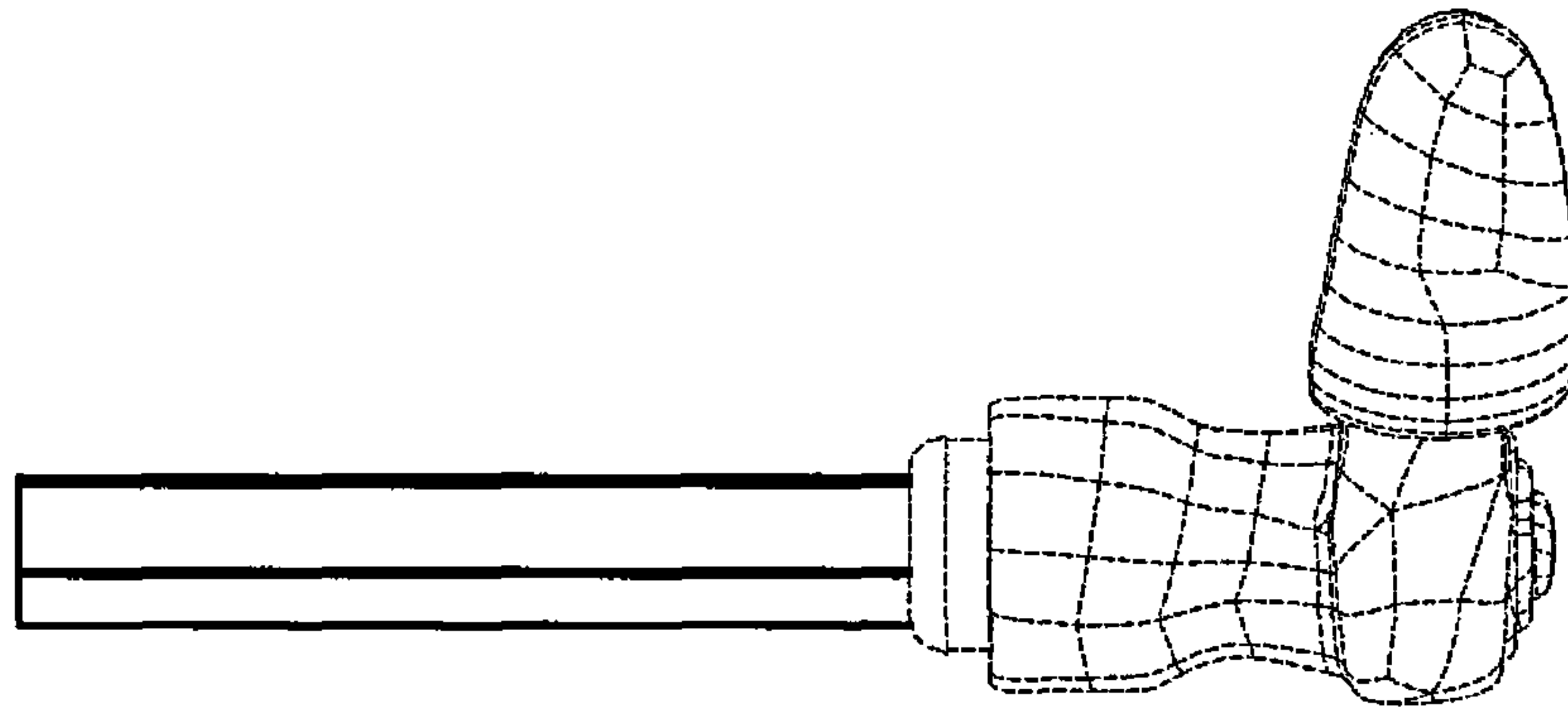


Fig. 4

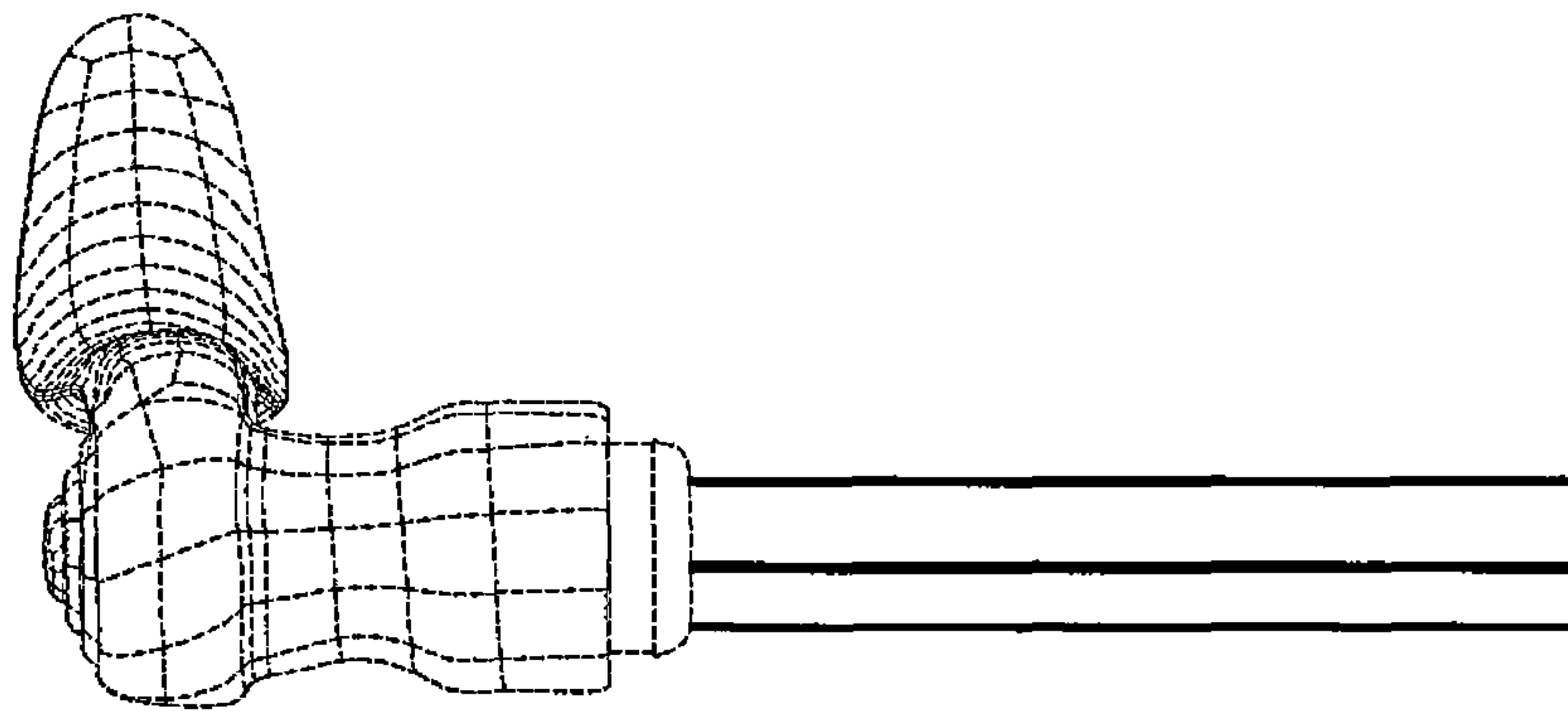


Fig. 5