



US00D734649S

(12) **United States Design Patent**
Wackwitz

(10) **Patent No.:** **US D734,649 S**
(45) **Date of Patent:** **** Jul. 21, 2015**

- (54) **FLUSH CUT BLADE TOOL ACCESSORY**
- (71) Applicant: **Milwaukee Electric Tool Corporation**,
Brookfield, WI (US)
- (72) Inventor: **Jeffrey M. Wackwitz**, Pewaukee, WI
(US)
- (73) Assignee: **Milwaukee Electric Tool Corporation**,
Brookfield, WI (US)

- (**) Term: **14 Years**
- (21) Appl. No.: **29/472,479**
- (22) Filed: **Nov. 12, 2013**

Related U.S. Application Data

- (60) Division of application No. 29/434,866, filed on Oct. 17, 2012, now Pat. No. Des. 697,384, which is a division of application No. 29/388,254, filed on Mar. 25, 2011, now Pat. No. Des. 669,754, which is a continuation-in-part of application No. 29/375,918, filed on Sep. 29, 2010, now Pat. No. Des. 651,062.
- (51) **LOC (10) CI.** **08-03**
- (52) **U.S. CI.**
USPC **D8/70**
- (58) **Field of Classification Search**
USPC D8/70; D15/140; 30/166.3, 169, 272.1,
30/277.4, 294, 339, 347, 389, 392;
83/665, 666, 676, 835, 886; 125/15,
125/25, 13.01; 403/3, 316, 359.3, 163;
451/8, 28, 57, 163, 294, 342, 344, 349,
451/353, 356, 357, 359, 360, 41, 490, 494,
451/508, 509, 510, 511, 548, 559
CPC B23D 61/006; B23D 65/00; B26D 7/086;
B26D 7/2614

See application file for complete search history.

(56) **References Cited**

U.S. PATENT DOCUMENTS

81,661 A	9/1868	McDonald
197,650 A	11/1877	Milligan
223,103 A	12/1879	Berstler
241,178 A	5/1881	Amazeen
390,134 A	9/1888	Miller
519,892 A	5/1894	Newton
742,000 A	10/1903	Brooks

(Continued)

FOREIGN PATENT DOCUMENTS

DE	10061559 A1	6/2002
DE	20309329 U1	8/2003

(Continued)

OTHER PUBLICATIONS

Milwaukee Electric Tool Corporation, Bosch tool, photo, 2010.

(Continued)

Primary Examiner — Philip S Hyder

Assistant Examiner — Darlington Ly

(74) *Attorney, Agent, or Firm* — Michael Best & Friedrich LLP

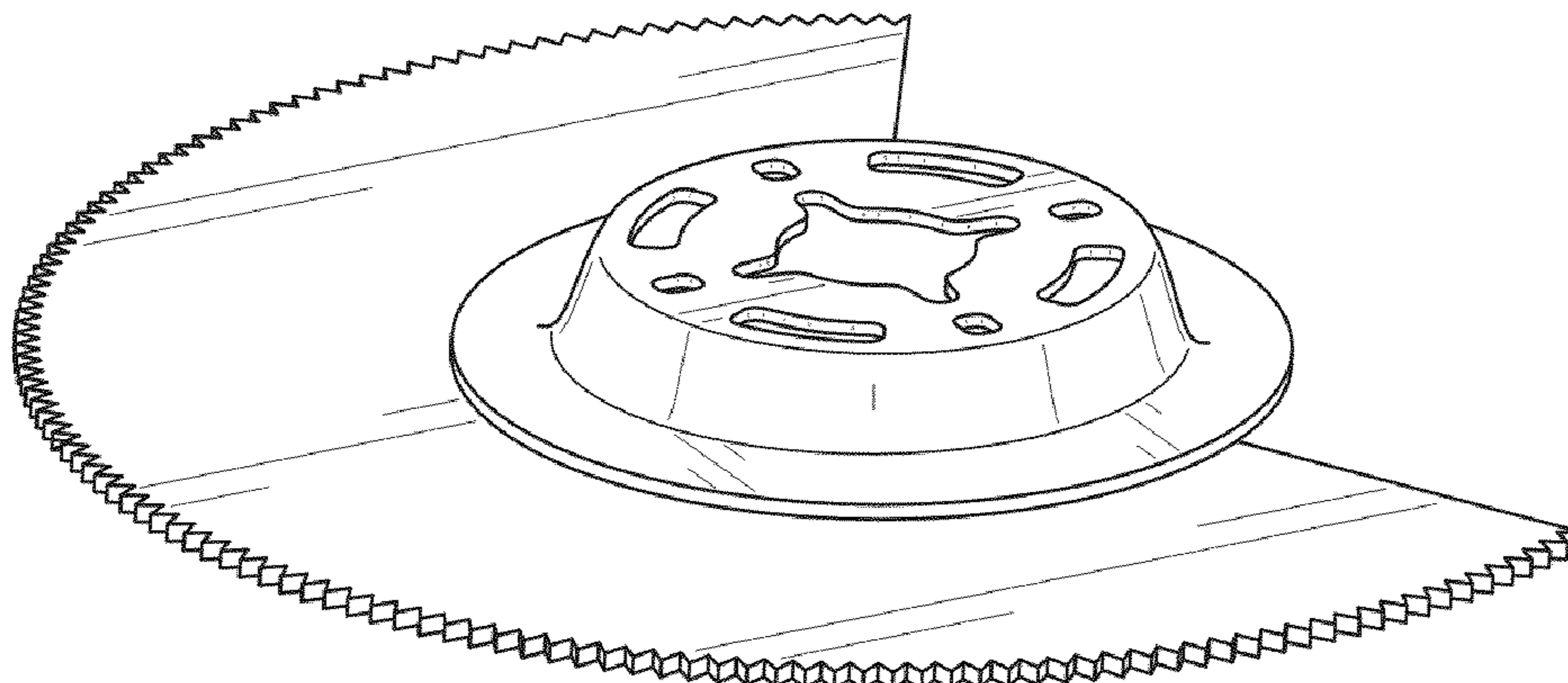
(57) **CLAIM**

I claim the ornamental design for an flush cut blade tool accessory, as shown and described.

DESCRIPTION

FIG. 1 is a perspective view of flush cut blade tool accessory having a tool interface showing my new design;
FIG. 2 is a top plan view thereof;
FIG. 3 is a bottom plan view thereof;
FIG. 4 is a left-side elevation view thereof;
FIG. 5 is a right-side elevation view thereof;
FIG. 6 is a rear elevation view thereof; and,
FIG. 7 is a front elevation view thereof.

1 Claim, 3 Drawing Sheets



(56)

References Cited

U.S. PATENT DOCUMENTS

1,947,662 A	2/1934	Robinson	5,967,886 A	10/1999	Wuensch et al.
2,132,917 A	10/1938	Albertson	D417,598 S	12/1999	Dibbern et al.
2,550,768 A	5/1951	Burleigh	6,004,194 A	12/1999	Hild et al.
2,649,868 A	8/1953	Gommel	6,022,353 A	2/2000	Fletcher et al.
2,822,648 A	2/1958	Metzger et al.	D421,566 S	3/2000	Achterberg
2,846,826 A	8/1958	Miller	6,042,460 A	3/2000	Bosten et al.
2,854,042 A	9/1958	Robinson	D424,076 S	5/2000	Dibbern et al.
2,912,021 A	11/1959	Gommel	D427,042 S	6/2000	Dibbern et al.
2,997,819 A	8/1961	Schacht	6,099,311 A	8/2000	Wagner et al.
3,041,797 A	7/1962	Moffly	6,099,397 A	8/2000	Wurst
3,308,703 A	3/1967	Sauer	6,110,028 A	8/2000	Chung
3,440,915 A	4/1969	Weyant	6,129,618 A	10/2000	Frech
3,623,281 A	11/1971	Moffat	6,142,858 A	11/2000	Luedeke
3,667,169 A	6/1972	MacKay, Jr.	D435,571 S	12/2000	Dibbern et al.
3,908,499 A	9/1975	Reed	6,155,916 A	12/2000	Rudolf et al.
3,943,934 A	3/1976	Bent	6,159,084 A	12/2000	Tiede
4,015,371 A	4/1977	Grayston	6,257,969 B1	7/2001	Bosten et al.
4,343,214 A	8/1982	Schadlich	6,277,012 B1	8/2001	Halliley
4,361,956 A	12/1982	Kirk	6,293,859 B1	9/2001	Fink et al.
4,393,626 A	7/1983	Schroer	6,299,078 B1	10/2001	Fugere
4,432,264 A	2/1984	Scott	6,306,024 B1	10/2001	Kai et al.
4,436,006 A	3/1984	Nakamura et al.	6,332,836 B1	12/2001	Tseng
4,436,009 A	3/1984	Ask	6,340,022 B1	1/2002	Schroer
4,461,195 A	7/1984	Barnick	6,349,446 B1	2/2002	Krause et al.
D276,310 S	11/1984	Frieberg	6,361,424 B1	3/2002	Manor et al.
4,497,141 A	2/1985	Jarby	6,371,837 B1	4/2002	Luedeke
4,637,170 A	1/1987	Block	6,379,236 B1	4/2002	Takizawa et al.
4,637,391 A	1/1987	Schlein	6,401,342 B1	6/2002	Kloss et al.
4,637,397 A	1/1987	Jones et al.	D466,597 S	12/2002	Carr
4,657,428 A	4/1987	Wiley	D467,845 S	12/2002	Pfeiffer et al.
4,683,683 A	8/1987	Block	6,503,253 B1	1/2003	Fletcher et al.
4,700,478 A	10/1987	Mezger et al.	6,520,055 B1	2/2003	Reusch et al.
4,706,386 A	11/1987	Wiley	6,523,214 B1	2/2003	Kaiser
4,730,952 A	3/1988	Wiley	6,533,650 B2	3/2003	Yoshida et al.
4,787,147 A	11/1988	Wiley	6,569,001 B2	5/2003	Rudolf et al.
4,852,261 A	8/1989	Wittek	6,629,484 B2	10/2003	Soyama et al.
4,905,420 A	3/1990	Flachenecker et al.	6,640,377 B2	11/2003	Krause et al.
D308,011 S	5/1990	Norris	D486,839 S	2/2004	Sunagawa et al.
4,989,320 A	2/1991	Borkott et al.	6,699,112 B2	3/2004	Bergner et al.
D315,667 S	3/1991	Johnson	6,723,101 B2	4/2004	Fletcher et al.
5,038,478 A	8/1991	Mezger et al.	D489,823 S *	5/2004	Fisher et al. D24/146
D327,111 S	6/1992	Hemming	6,749,493 B2	6/2004	Wuensch
5,263,283 A	11/1993	Rudolf et al.	D493,683 S	8/2004	Hortenbury et al.
5,265,340 A	11/1993	Nitz et al.	6,780,093 B2	8/2004	Krondorfer et al.
5,292,352 A	3/1994	Rudolf et al.	6,786,811 B2	9/2004	Krondorfer et al.
5,303,688 A	4/1994	Chiuminatta et al.	6,796,888 B2	9/2004	Jasch
5,309,805 A	5/1994	Mezger et al.	6,802,127 B2	10/2004	Thomaschewski
5,319,886 A	6/1994	Steere, Jr.	6,802,764 B2	10/2004	Besch
5,366,312 A	11/1994	Raines	6,814,655 B2	11/2004	Hofmann et al.
5,373,834 A	12/1994	Chiuminatta et al.	6,814,657 B2	11/2004	Spangenberg et al.
5,382,249 A	1/1995	Fletcher	6,827,074 B2	12/2004	Gardner
D362,065 S	9/1995	Goris	6,860,792 B2	3/2005	Krondorfer et al.
5,468,247 A	11/1995	Matthai et al.	6,869,346 B2	3/2005	Wendt et al.
5,477,845 A	12/1995	Zuzelo	6,902,471 B2	6/2005	Krondorfer et al.
5,482,499 A	1/1996	Satoh	6,942,558 B2	9/2005	Wuensch
5,491,896 A	2/1996	Stolzer et al.	6,942,560 B2	9/2005	Hofmann et al.
5,496,316 A	3/1996	Goris	6,945,862 B2	9/2005	Jasch et al.
5,554,066 A	9/1996	Bosten et al.	7,000,606 B2	2/2006	Gardner
5,555,788 A	9/1996	Gakhar et al.	7,077,734 B2	7/2006	Tiede et al.
5,597,347 A	1/1997	Bosten et al.	7,077,735 B2	7/2006	Krondorfer et al.
5,601,483 A	2/1997	Rudolf et al.	7,097,548 B2	8/2006	Krondorfer et al.
5,626,510 A	5/1997	Bergner et al.	D528,407 S	9/2006	Schwab
5,637,034 A	6/1997	Everts et al.	7,108,077 B2	9/2006	Zaiser
5,681,213 A	10/1997	Hashii	7,115,027 B2	10/2006	Thomaschewski
5,694,693 A	12/1997	Hutchins et al.	7,115,028 B1	10/2006	Chen
5,702,415 A	12/1997	Matthai et al.	7,137,329 B1	11/2006	Moser
5,709,595 A	1/1998	Bergner et al.	7,143,760 B2	12/2006	Gardner
5,729,904 A	3/1998	Trott	7,169,025 B2	1/2007	Schumacher
5,743,791 A	4/1998	Bosten et al.	7,201,644 B2	4/2007	Gardner
5,749,770 A	5/1998	Uzumcu et al.	7,207,873 B2	4/2007	Hesse et al.
5,759,094 A	6/1998	Bosten et al.	7,217,177 B2	5/2007	Frech et al.
5,842,278 A	12/1998	Gmeilbauer	7,273,412 B1	9/2007	Sun et al.
5,846,244 A	12/1998	Cripe	7,313,838 B2	1/2008	Long et al.
5,901,629 A	5/1999	Stroud	D563,186 S	3/2008	Ahn
5,911,620 A	6/1999	Spangenberg et al.	7,402,095 B2	7/2008	Gardner
			7,438,629 B2	10/2008	Bosten et al.
			7,506,877 B1	3/2009	Henderson et al.
			7,510,464 B2	3/2009	Stierle et al.
			7,527,628 B2	5/2009	Fletcher et al.

(56)

References Cited

U.S. PATENT DOCUMENTS

7,588,484 B2 9/2009 Momosaki
 D609,545 S 2/2010 Ueno et al.
 D619,152 S 7/2010 Evatt et al.
 D621,427 S 8/2010 Dow et al.
 D623,034 S 9/2010 Evatt et al.
 D626,977 S 11/2010 Popov
 D626,978 S 11/2010 Huh
 D628,218 S 11/2010 Tommassini
 D633,769 S 3/2011 Evatt et al.
 D651,062 S * 12/2011 Wackwitz D8/70
 D651,499 S * 1/2012 Tong D8/70
 D651,874 S * 1/2012 Davidian et al. D8/20
 D651,875 S * 1/2012 Davidian et al. D8/20
 D651,876 S * 1/2012 Davidian et al. D8/20
 D651,877 S * 1/2012 Davidian et al. D8/20
 D651,878 S * 1/2012 Davidian et al. D8/20
 D652,274 S * 1/2012 Davidian et al. D8/20
 D677,546 S * 3/2013 Zhou et al. D8/70
 D682,652 S * 5/2013 McRoberts et al. D8/70
 D694,076 S * 11/2013 Davidian et al. D8/20
 D694,596 S * 12/2013 Davidian et al. D8/20
 D694,597 S * 12/2013 Davidian et al. D8/20
 D694,598 S * 12/2013 Davidian et al. D8/20
 D694,599 S * 12/2013 Davidian et al. D8/20
 D697,384 S * 1/2014 Wackwitz D8/70
 D697,774 S * 1/2014 Bozic D8/70
 D697,778 S * 1/2014 Bozic D8/70
 2002/0016143 A1 2/2002 Bosten et al.
 2002/0022444 A1 2/2002 Littlefield
 2002/0066351 A1 6/2002 Sumida et al.
 2003/0000716 A1 1/2003 Hofmann et al.
 2003/0153254 A1 8/2003 Bosten et al.
 2004/0138668 A1 * 7/2004 Fisher et al. 606/82
 2004/0192180 A1 9/2004 Bosten et al.
 2004/0243136 A1 12/2004 Gupta et al.
 2005/0153640 A1 7/2005 Stein et al.
 2006/0150428 A1 7/2006 Baculy
 2006/0272468 A1 12/2006 Gupta et al.
 2007/0079489 A1 4/2007 Cirino
 2007/0094877 A1 5/2007 Bohne et al.
 2007/0295156 A1 12/2007 Ziegler et al.
 2008/0003929 A1 1/2008 Degen
 2008/0017007 A1 1/2008 Weber et al.
 2008/0029134 A1 2/2008 Long et al.
 2008/0057846 A1 3/2008 Schumacher
 2008/0160886 A1 7/2008 Palushaj
 2008/0190259 A1 8/2008 Bohne
 2008/0210212 A1 9/2008 Baratta
 2009/0013540 A1 1/2009 Bohne
 2009/0023371 A1 1/2009 Blickle et al.
 2009/0083916 A1 4/2009 Lampka et al.
 2009/0191799 A1 7/2009 Rivard
 2009/0209186 A1 8/2009 Krauss et al.
 2009/0293696 A1 12/2009 Rauscher et al.
 2009/0318065 A1 12/2009 Zaiser et al.

2010/0009613 A1 1/2010 Frueh et al.
 2010/0052269 A1 3/2010 Zaiser et al.
 2010/0056029 A1 * 3/2010 Grunikiewicz 451/442
 2011/0277611 A1 * 11/2011 Chen et al. 83/699.51
 2012/0045978 A1 * 2/2012 Mueller 451/548

FOREIGN PATENT DOCUMENTS

DE 102004050798 A1 4/2006
 DE 202006013890 U1 11/2006
 DE 102006021969 A1 11/2007
 DE 102007039367 A1 3/2008
 DE 102007018467 A1 10/2008
 DE 102007036786 A1 10/2008
 DE 102007035045 A1 1/2009
 DE 202007018679 U1 1/2009
 DE 102008027671 A1 12/2009
 EP 1213107 A1 6/2002
 EP 1302286 A1 4/2003
 EP 1852218 A1 11/2007
 EP 2017036 A1 1/2009
 EP 2143531 A1 1/2010
 EP 2159000 A1 3/2010
 WO 2008128813 A1 10/2008
 WO 2008128862 A1 10/2008

OTHER PUBLICATIONS

Milwaukee Electric Tool Corporation, Bosch tool and accessories, photo, 2010.
 Milwaukee Electric Tool Corporation, Bosch tool and adapter, photo, 2010.
 Milwaukee Electric Tool Corporation, Rockwell tool, photo, 2010.
 Milwaukee Electric Tool Corporation, Rockwell tool and accessories, photo, 2010.
 Milwaukee Electric Tool Corporation, Craftsman tool, photo, 2010.
 Milwaukee Electric Tool Corporation, Craftsman tool and accessories, photo, 2010.
 Milwaukee Electric Tool Corporation, Dremel tool, photo, 2010.
 Milwaukee Electric Tool Corporation, Dremel tool and accessories, photo, 2010.
 Milwaukee Electric Tool Corporation, Fein tool, photo, 2010.
 Milwaukee Electric Tool Corporation, Fein tool and accessories, photo, 2010.
 EP Designs 000535174-0001 and 000535174-0002 for cutting discs, show at <http://oami.europa.eu/RCDOnline/RequestManager>.
 Bosch, Plunge cut blade, photo.
 Bosch, Scraper blade, photo.
 Bosch, Flush cut blade, photo.
 Bosch, Grout blade, photo.
 Notice of Allowance from the United States Patent Office for U.S. Appl. No. 29/375,916 dated Sep. 22, 2011 (8 pages).
 Office Action from the U.S. Appl. No. 29/388,254 dated May 3, 2012 (7 pages).

* cited by examiner

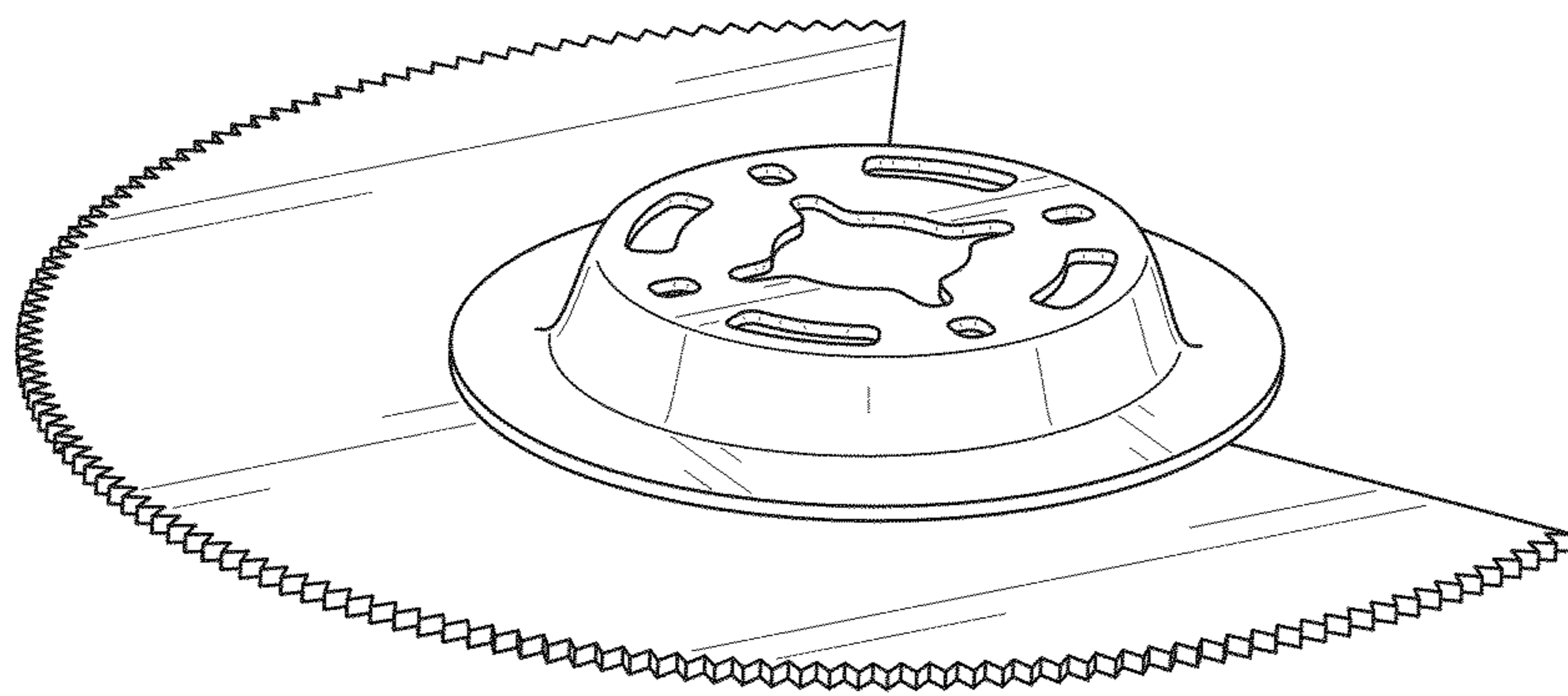


FIG. 1

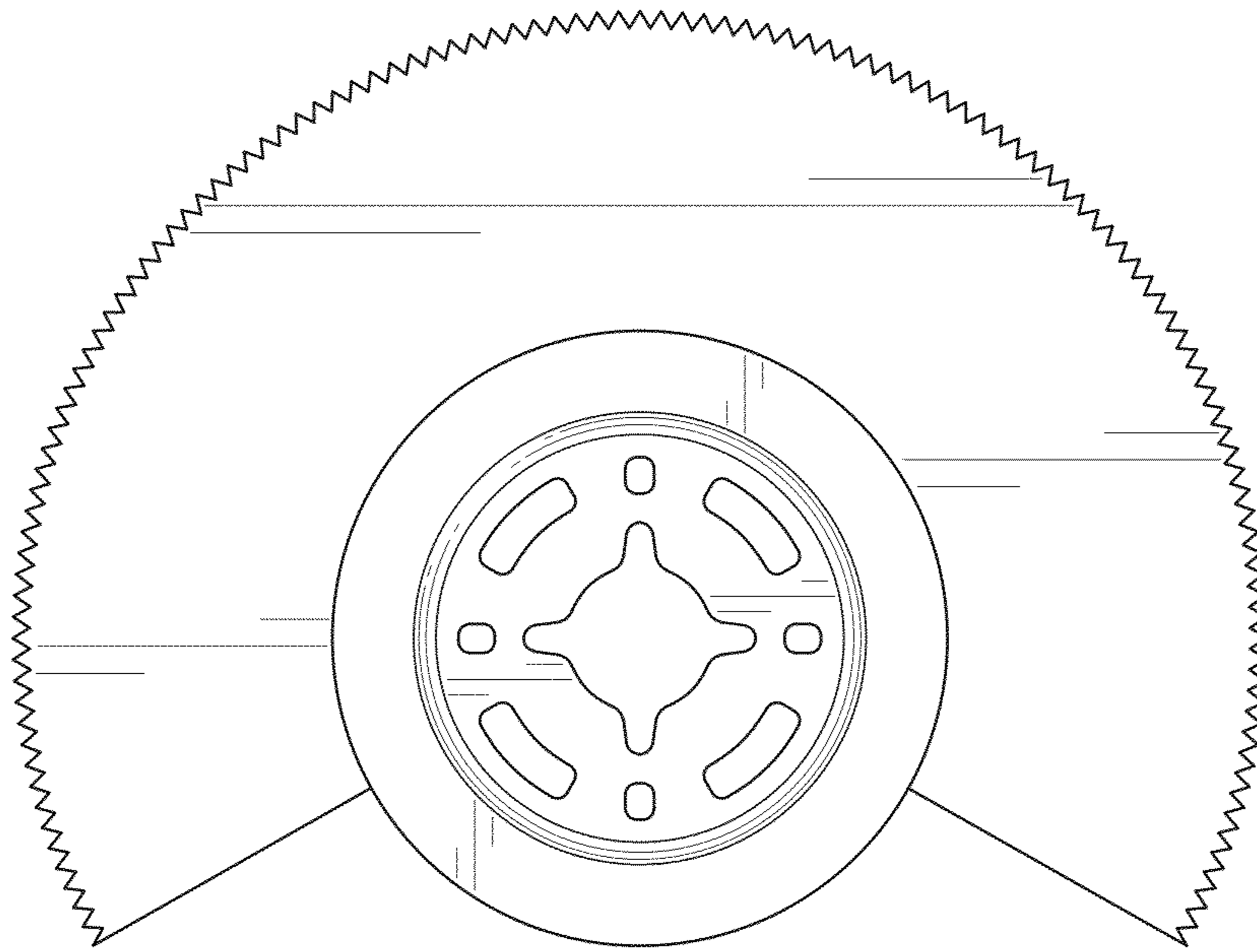


FIG. 2

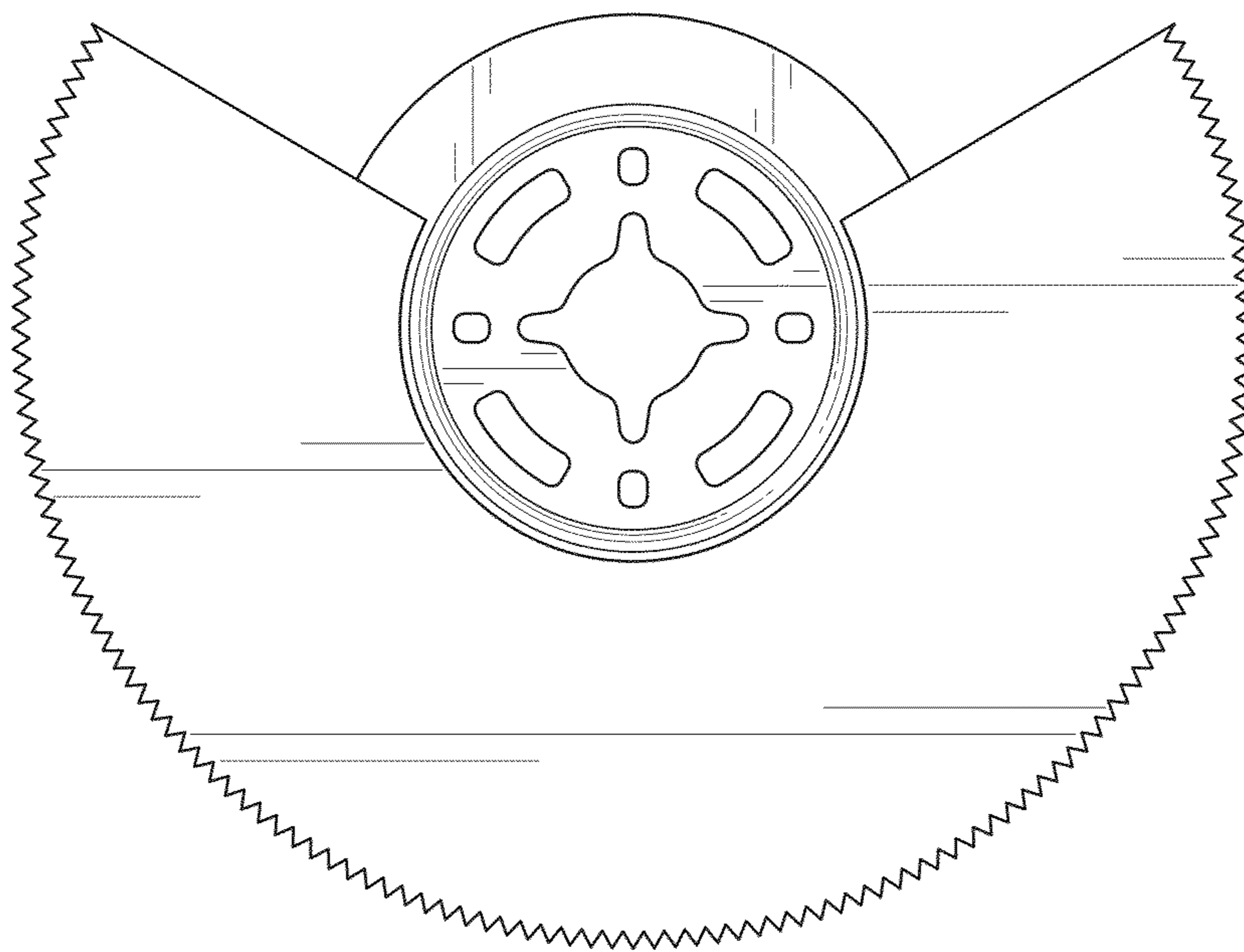


FIG. 3

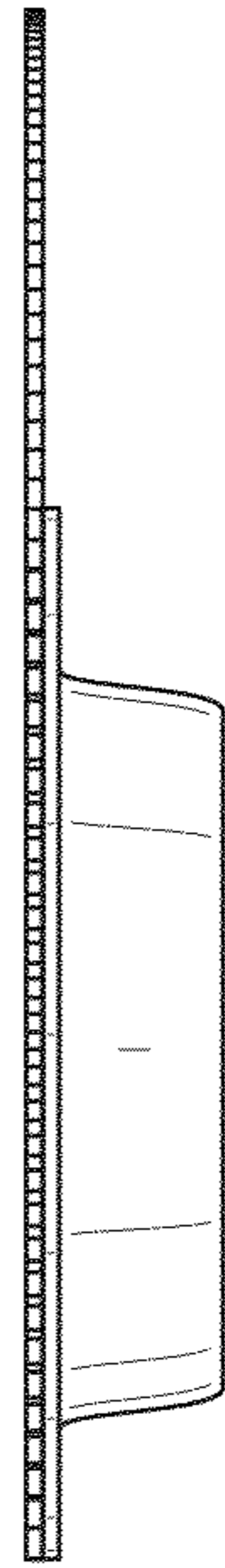


FIG. 4

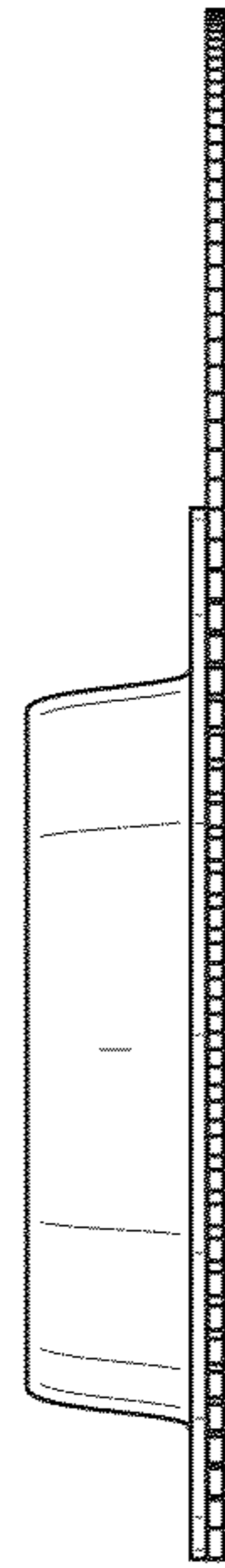


FIG. 5

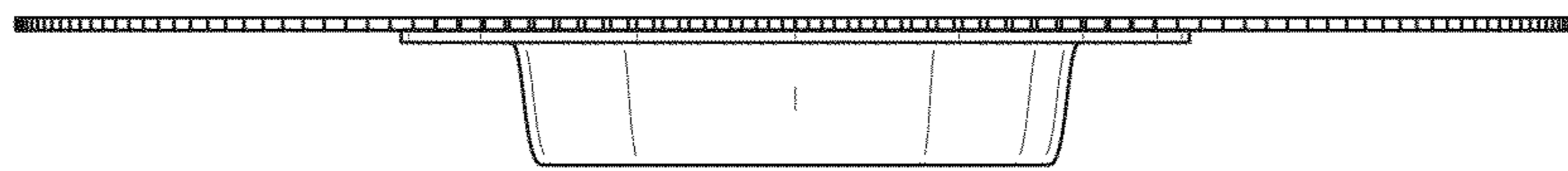


FIG. 6

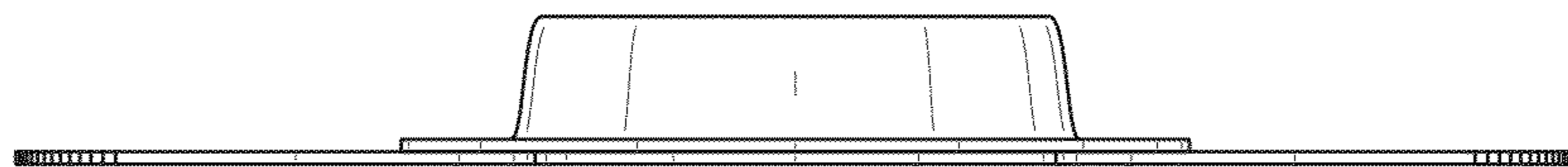


FIG. 7