

US00D734647S

(12) **United States Design Patent**
Kalogroulis

(10) **Patent No.:** **US D734,647 S**

(45) **Date of Patent:** **** *Jul. 21, 2015**

(54) **CAN OPENER**

(71) Applicant: **Alexander Kalogroulis**, Coulsdon (GB)

(72) Inventor: **Alexander Kalogroulis**, Coulsdon (GB)

(*) Notice: This patent is subject to a terminal disclaimer.

(**) Term: **14 Years**

(21) Appl. No.: **29/476,194**

(22) Filed: **Dec. 12, 2013**

(51) **LOC (10) Cl.** **07-99**

(52) **U.S. Cl.**
USPC **D8/41**

(58) **Field of Classification Search**
USPC D8/18, 33-43, 88, 89, 105; 7/113,
7/151-156; 81/3.07, 3.09, 3.2, 3.27,
81/3.29, 3.31, 3.35, 3.37, 3.4, 3.48, 3.49,
81/3.55

See application file for complete search history.

(56) **References Cited**

U.S. PATENT DOCUMENTS

D114,629 S *	5/1939	Becker	D19/73
D297,705 S *	9/1988	Difede	D8/40
D387,645 S *	12/1997	Kazimir	D8/40
D422,861 S *	4/2000	Hollinger	D8/41
D511,950 S *	11/2005	Lee	D8/43
D553,458 S *	10/2007	Hood	D8/40
D555,448 S *	11/2007	Sanders et al.	D8/41

D555,998 S *	11/2007	Mah et al.	D8/41
D557,577 S *	12/2007	Huang	D8/40
D572,098 S *	7/2008	Hui	D8/41
7,398,714 B1 *	7/2008	Mah et al.	81/300
D594,301 S *	6/2009	Mah et al.	D8/36
D594,303 S *	6/2009	Mah et al.	D8/41
D624,377 S *	9/2010	Mah et al.	D8/40
D643,268 S *	8/2011	Mah et al.	D8/41
D666,863 S *	9/2012	Fallon et al.	D7/300

* cited by examiner

Primary Examiner — Elizabeth Albert

(74) *Attorney, Agent, or Firm* — Richard B. Cates

(57) **CLAIM**

The ornamental design for a can opener, as shown and described.

DESCRIPTION

FIG. 1 is a perspective view from front right of a can opener showing my new design.

FIG. 2 is a bottom view.

FIG. 3 is a left view.

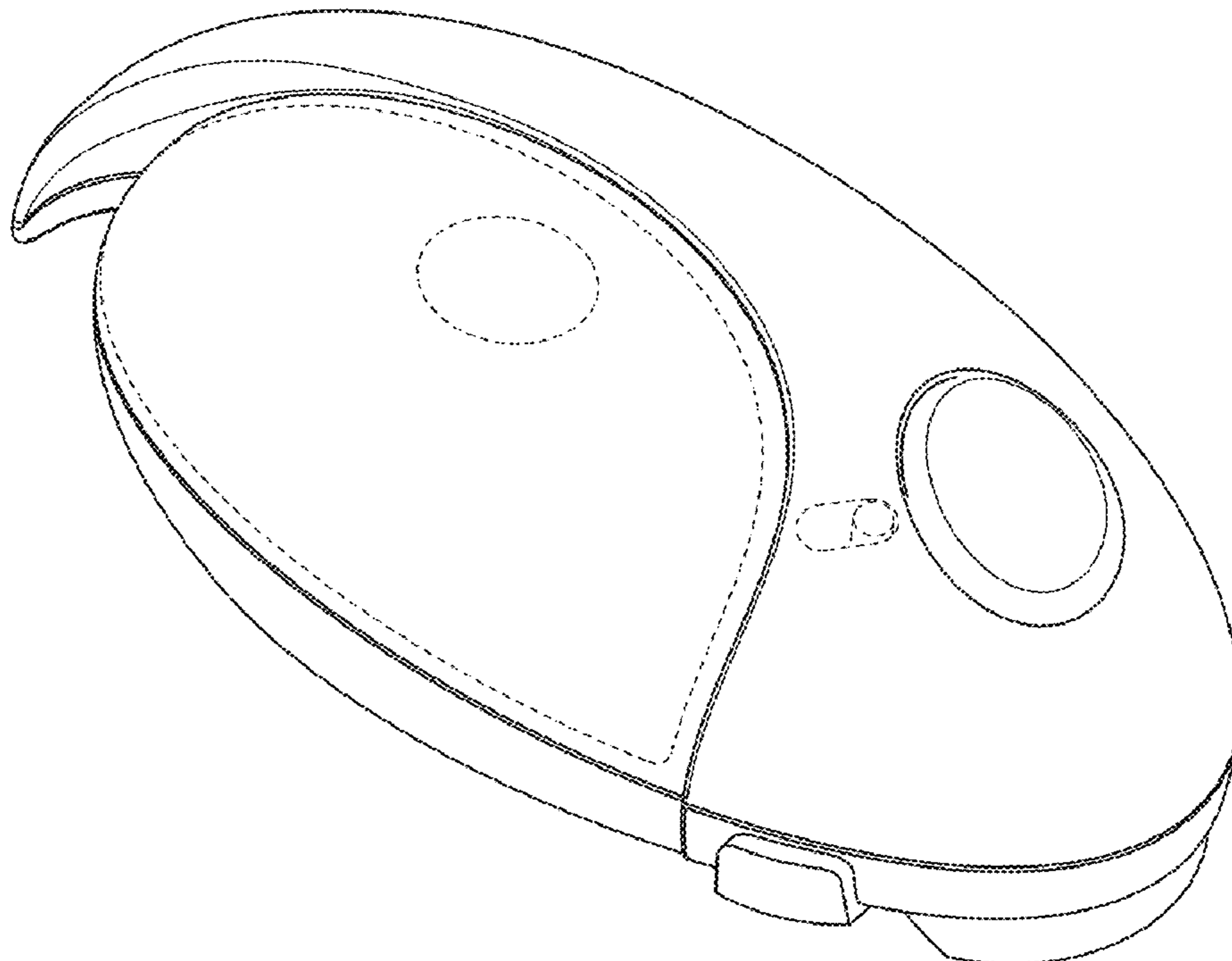
FIG. 4 is a right view.

FIG. 5 is a side view.

FIG. 6 is an opposite side view from that shown in FIG. 5; and, FIG. 7 is a top view.

The broken lines in the drawings are included for the purpose of showing portions of the can opener that form no part of the claimed design.

1 Claim, 3 Drawing Sheets



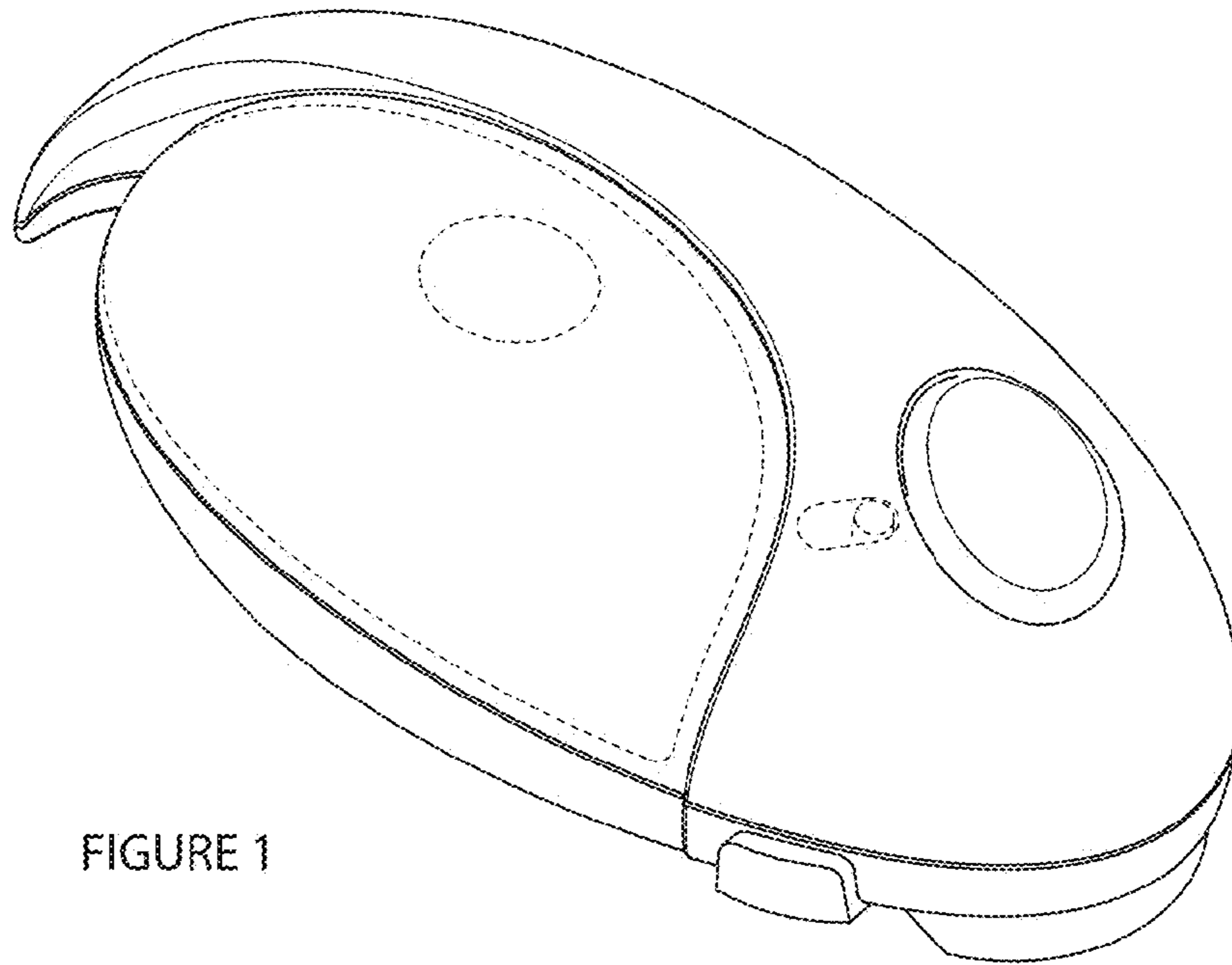


FIGURE 1

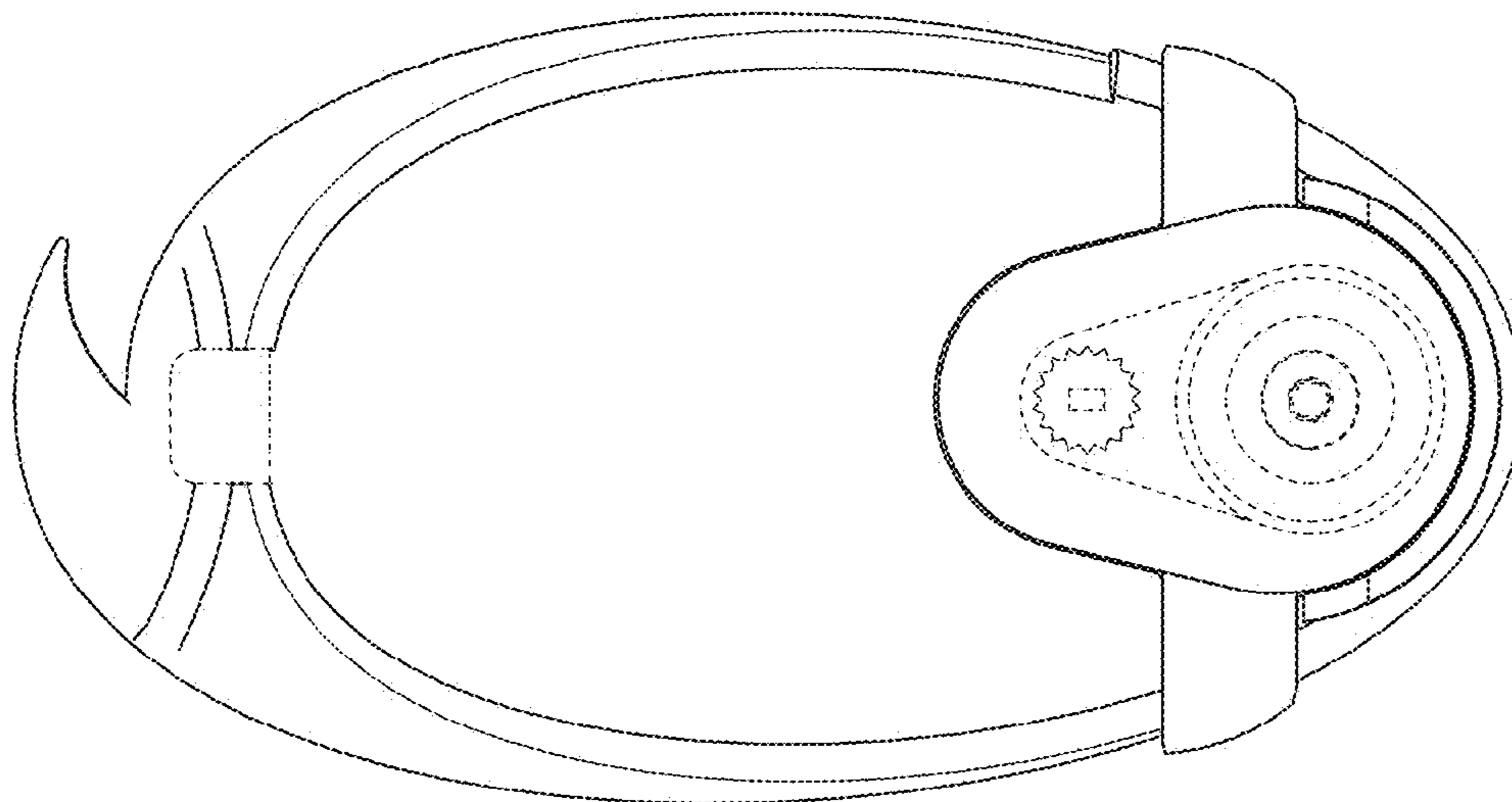


FIGURE 2

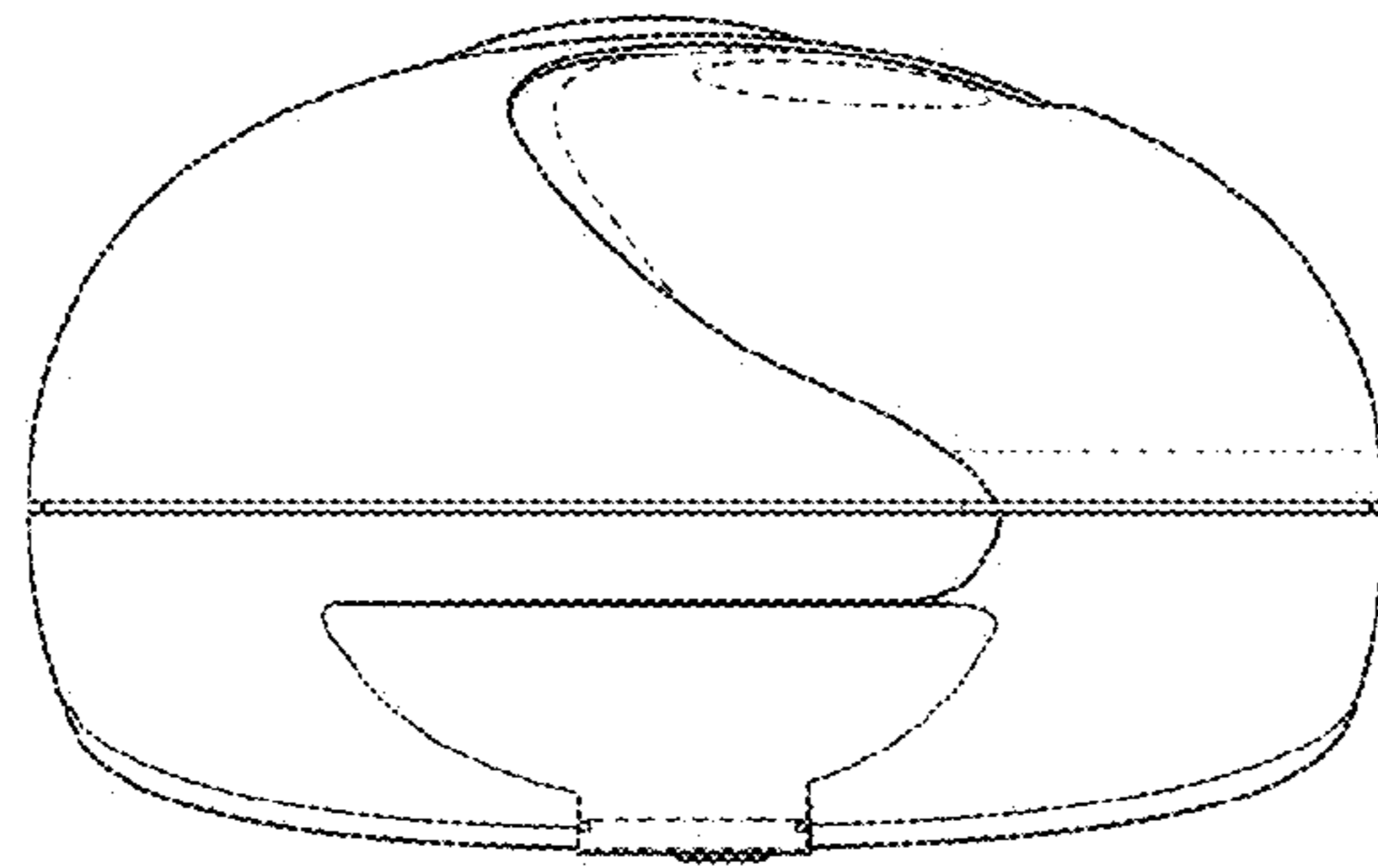


FIGURE 3

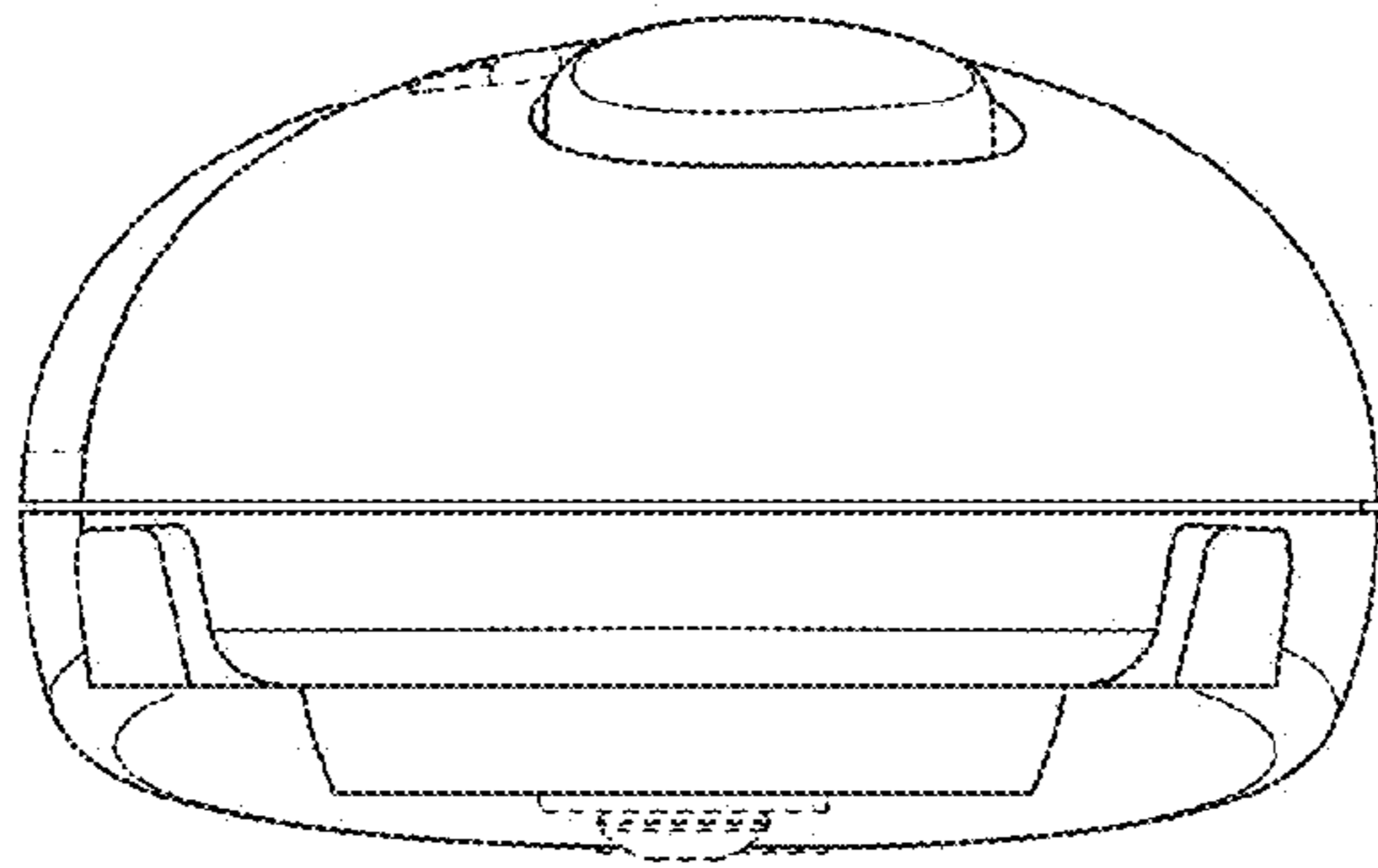


FIGURE 4

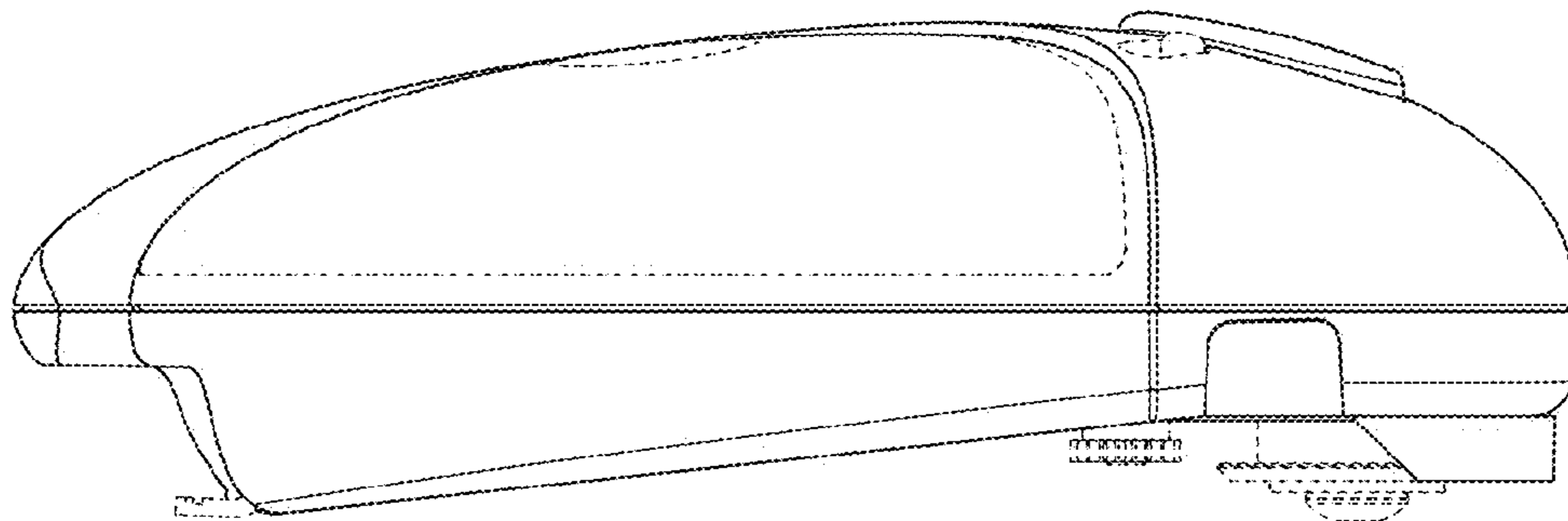


FIGURE 5

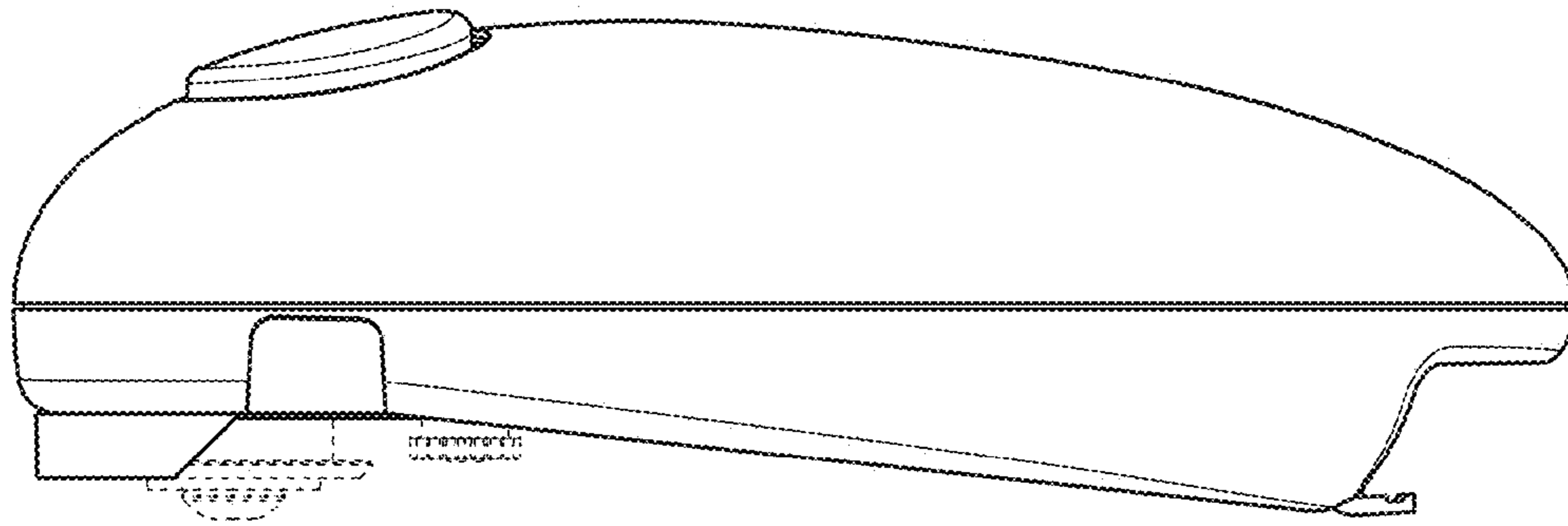


FIGURE 6

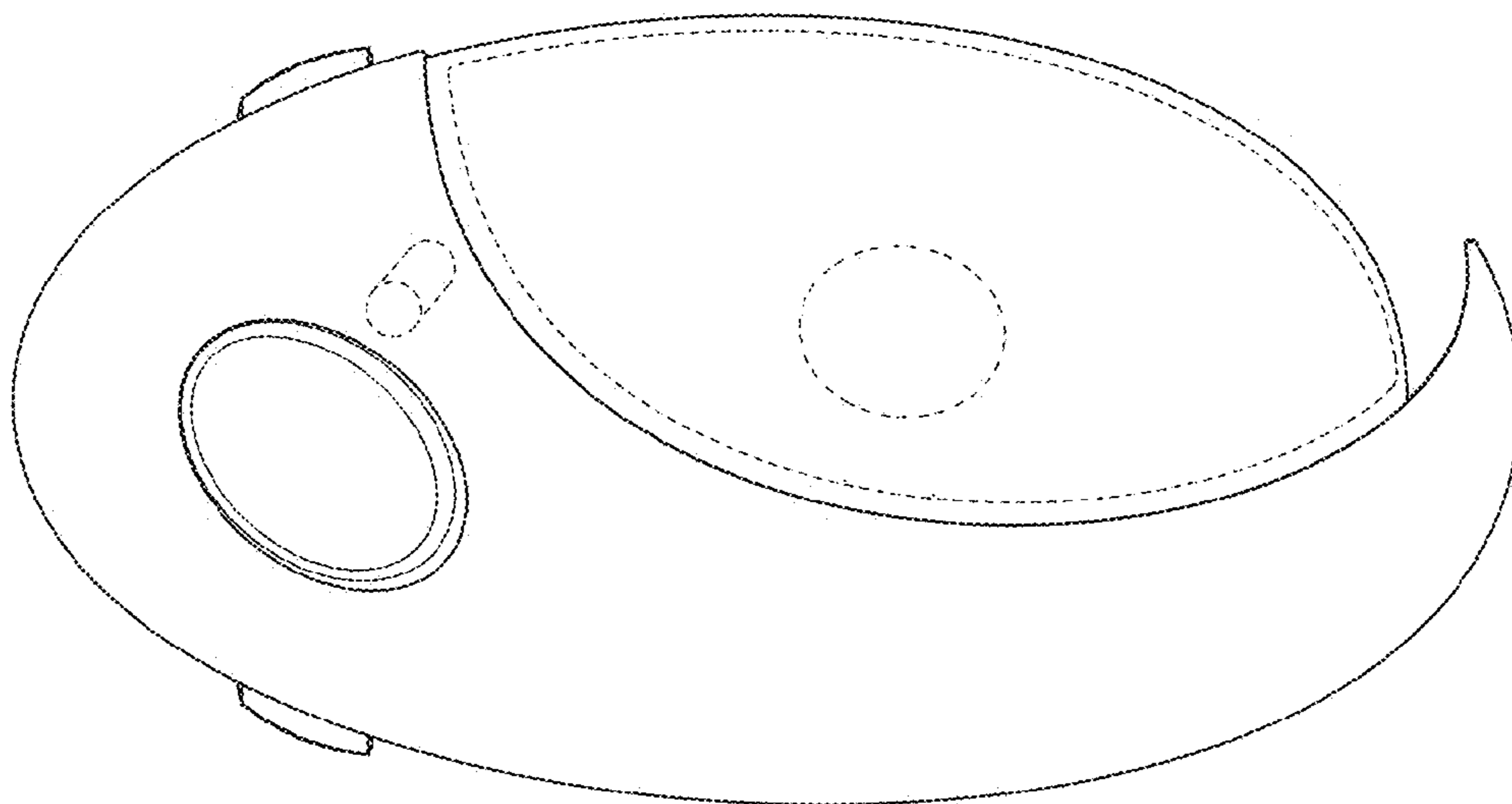


FIGURE 7