

US00D734646S

(12) **United States Design Patent**
Steiner et al.

(10) **Patent No.:** **US D734,646 S**
(45) **Date of Patent:** **** Jul. 21, 2015**

(54) **JUICE EXTRACTOR**

A23N 1/02; A23N 1/00; A23N 1/003; A23N 1/006

(71) Applicant: **Novissa Haushaltgeräte AG**, Brugg (CH)

See application file for complete search history.

(72) Inventors: **Wolfgang Steiner**, Brugg (CH); **Jörg Teufel**, Elchingen (DE)

(56) **References Cited**

(73) Assignee: **Novissa Haushaltgeräte AG**, Brugg (CH)

U.S. PATENT DOCUMENTS

(**) Term: **14 Years**

D159,469	S	*	8/1950	Bennett	D7/665
D471,408	S	*	3/2003	Fouquet	D7/665
7,066,082	B2	*	6/2006	O'Loughlin	99/511
D537,303	S	*	2/2007	Stuckey	D7/665
D565,363	S	*	4/2008	Fouquet	D7/666
2006/0060091	A1	*	3/2006	Chang	99/511
2006/0191425	A1	*	8/2006	Chang	99/511
2011/0083566	A1	*	4/2011	Backus	99/511
2013/0255511	A1	*	10/2013	Steiner	99/513

(21) Appl. No.: **29/481,298**

* cited by examiner

(22) Filed: **Feb. 4, 2014**

(30) **Foreign Application Priority Data**

Primary Examiner — Terry Wallace

Sep. 23, 2013 (WO) 763229101

(74) *Attorney, Agent, or Firm* — WRB-IP LLP

(51) **LOC (10) Cl.** **31-00**

(57) **CLAIM**

(52) **U.S. Cl.**
USPC **D7/665**

The ornamental design for a juice extractor, as shown and described.

(58) **Field of Classification Search**

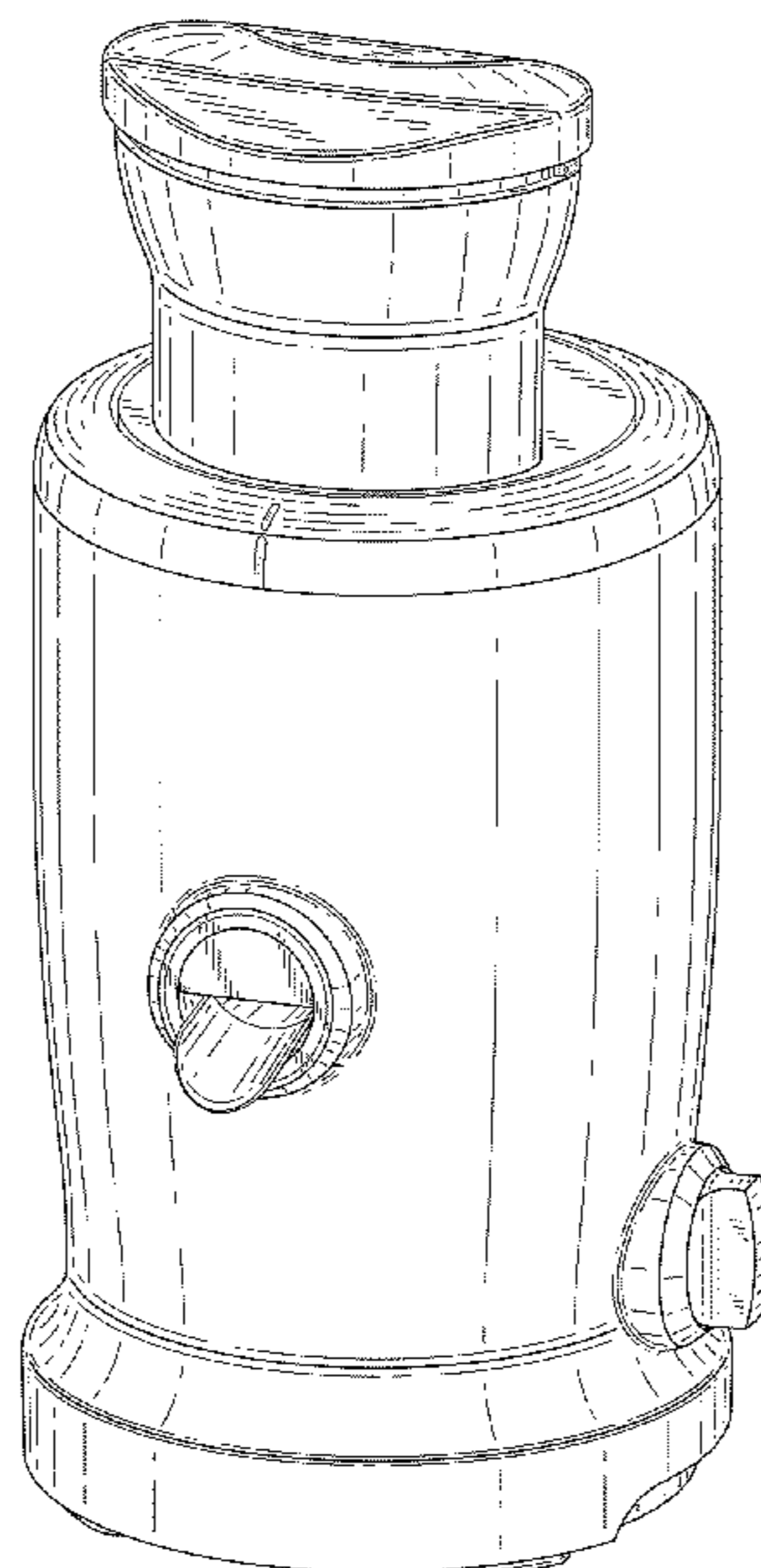
DESCRIPTION

USPC D7/368, 665–667, 412, 376–386, 372, D7/373, 375, 374; 241/92, 401.1–101.73, 241/285.1–285.3, 36, 37.5, 100, 282.1; 99/495, 501–513, 499, 348, 357, 349, 99/369, 370, 496–497, 279, 280, 284, 99/290; 100/125, 213, 283, 218, 288, 208; 366/98, 142, 197–211, 241–254, 366/279–292, 341–347, 64–67

CPC A47J 19/02; A47J 44/00; A47J 44/02; A47J 43/00; A47J 43/25; A47J 43/046; A47J 43/0722; A47J 31/00; A47J 31/005; A47J 31/02; A47J 31/04; A47J 19/027; A47J 19/00; A47J 19/06; A47J 19/022;

FIG. 1 is a front perspective view of the juice extractor;
 FIG. 2 is a rear perspective view of the juice extractor;
 FIG. 3 is a bottom perspective view of the juice extractor;
 FIG. 4 is a front side view of the juice extractor;
 FIG. 5 is a rear side view of the juice extractor;
 FIG. 6 is a right side view of the juice extractor;
 FIG. 7 is a left side view of the juice extractor; and,
 FIG. 8 is at top view of the juice extractor;
 Broken lines shown in the drawings are for illustrative purposes only and form no part of the claimed design.

1 Claim, 8 Drawing Sheets



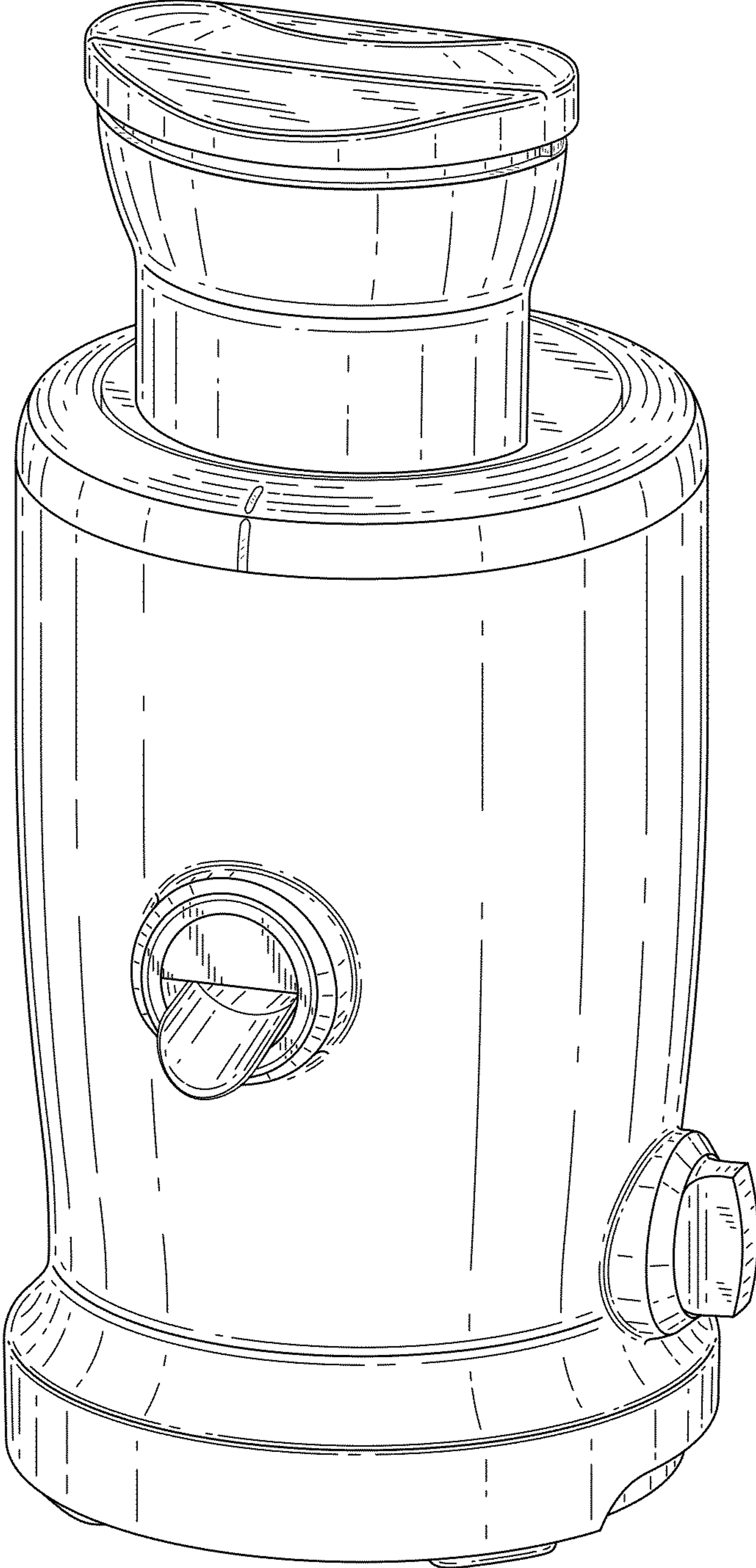


FIG. 1



FIG. 2

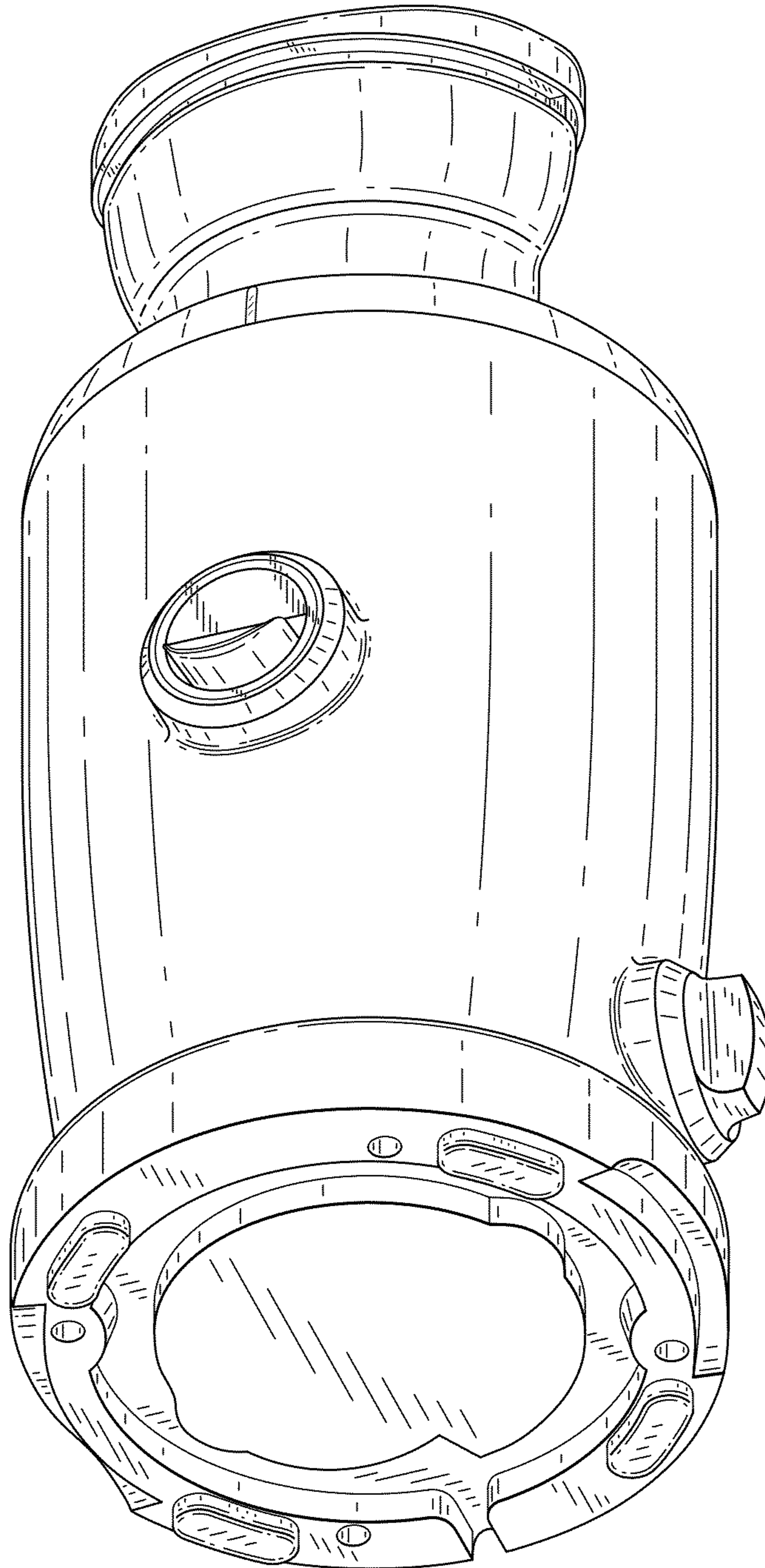


FIG. 3

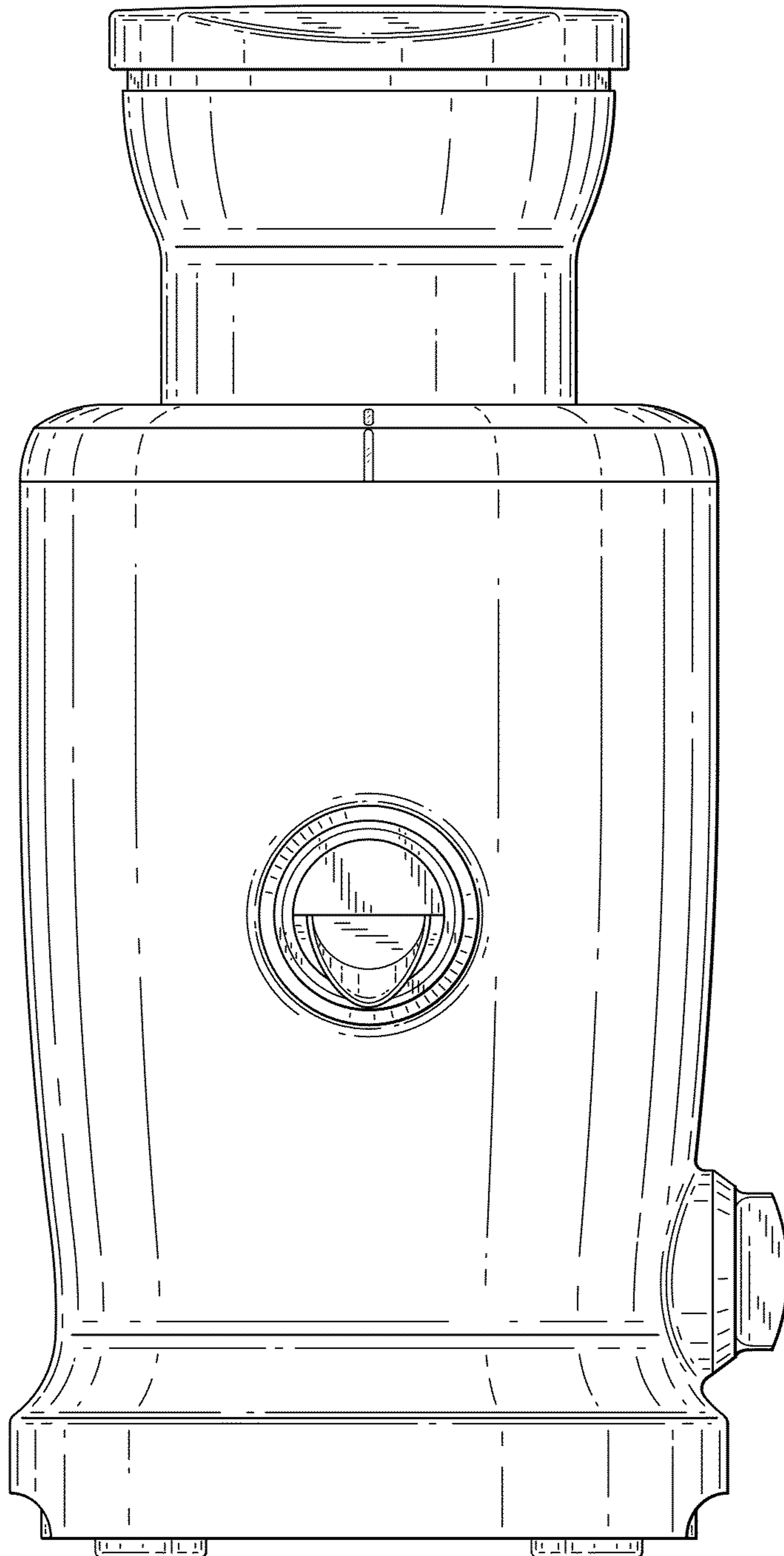


FIG. 4

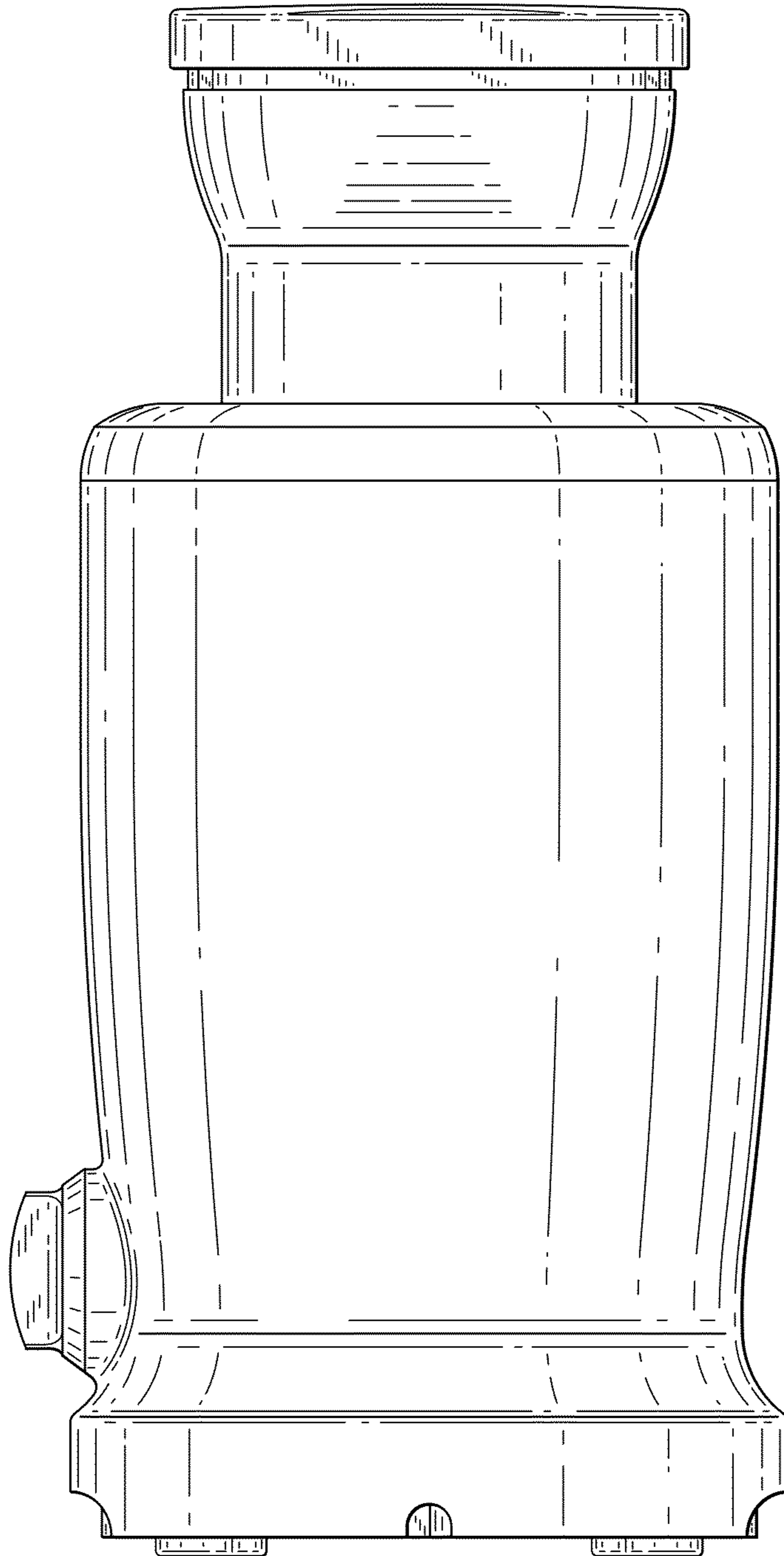


FIG. 5

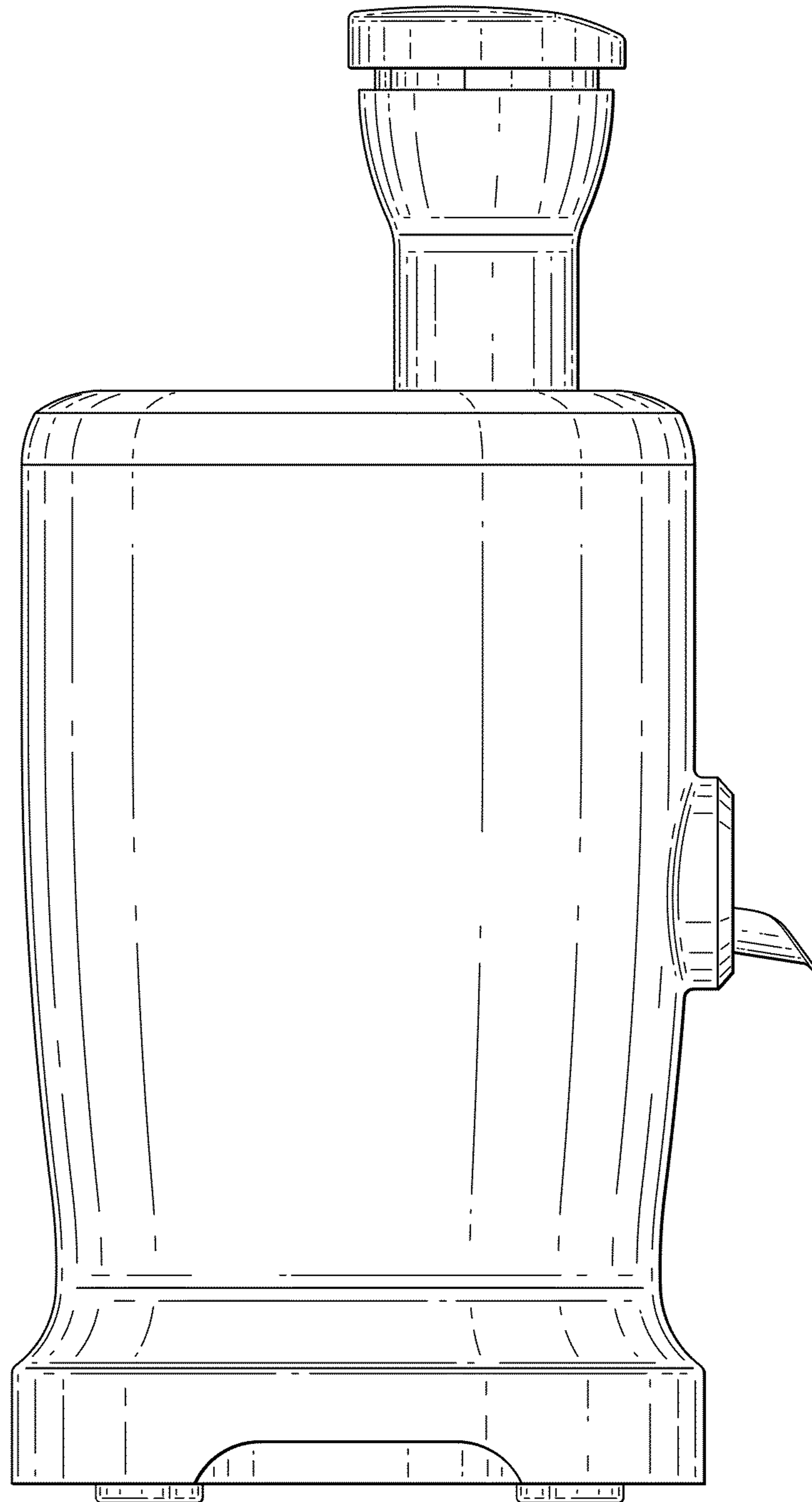


FIG. 6

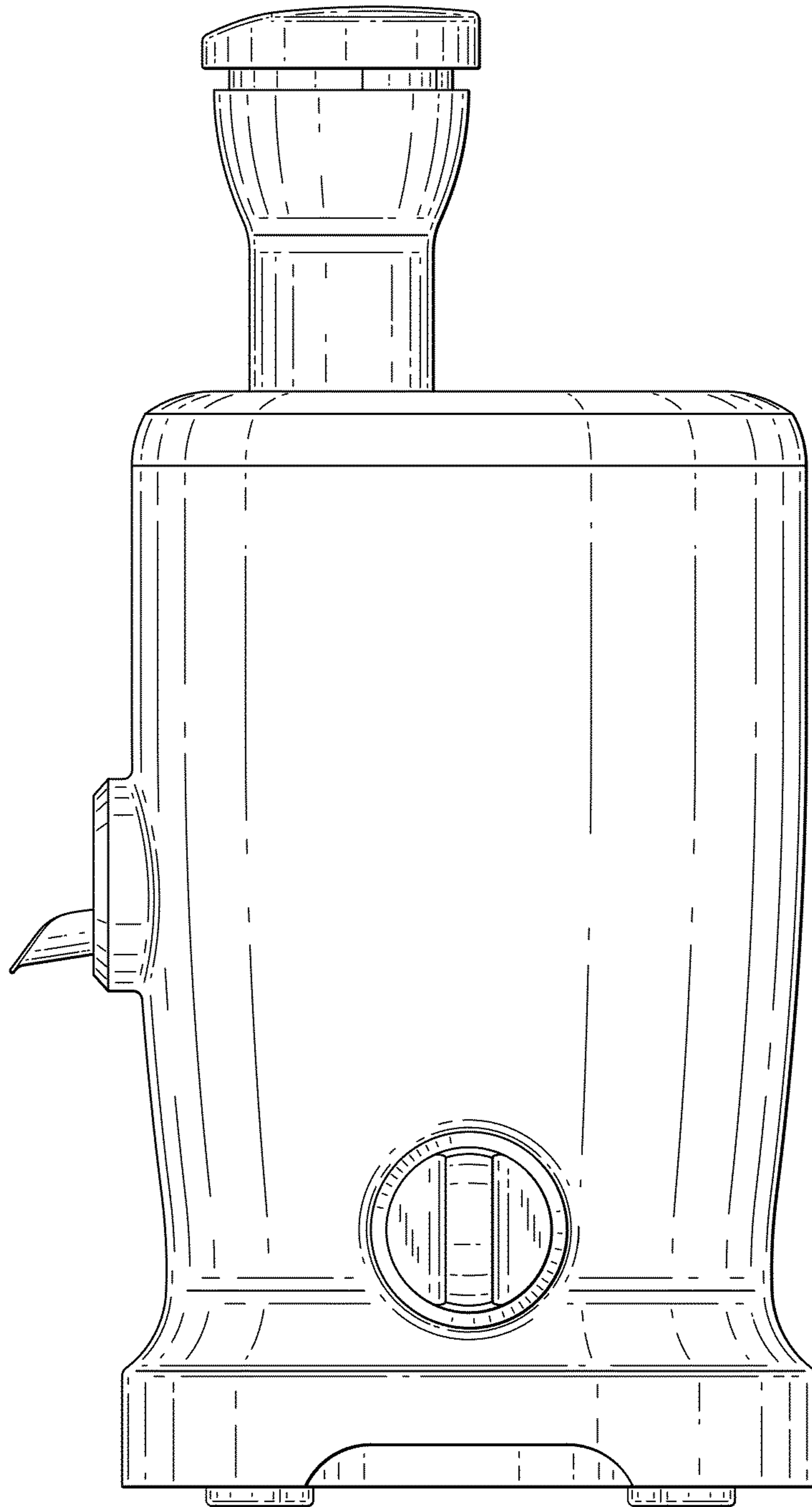


FIG. 7

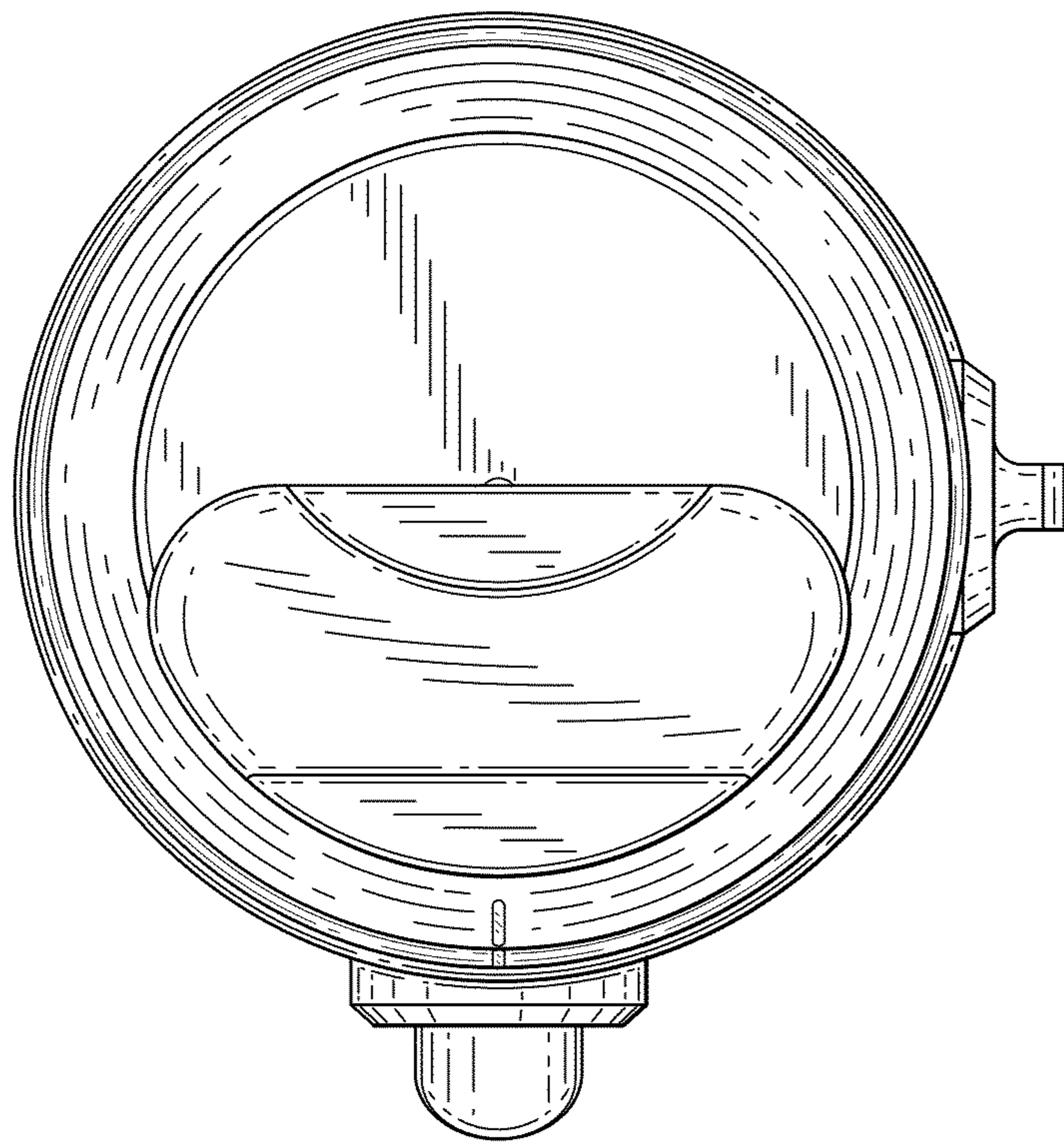


FIG. 8