

US00D734642S

(12) **United States Design Patent**
Vasbinder et al.

(10) **Patent No.:** **US D734,642 S**
(45) **Date of Patent:** **** Jul. 21, 2015**

(54) **COOLER CARRIER**

- (71) Applicant: **Rock-Tenn Shared Services, LLC**,
Norcross, GA (US)
- (72) Inventors: **Eric Vasbinder**, Mableton, GA (US);
Jeffrey Scott James, Elmhurst, IL (US);
Fred Foushee, Suwanee, GA (US)
- (73) Assignee: **Rock-Tenn Shared Services, LLC**,
Norcross, GA (US)
- (**) Term: **14 Years**

- (21) Appl. No.: **29/485,250**
- (22) Filed: **Mar. 18, 2014**
- (51) **LOC (10) Cl.** **07-01**
- (52) **U.S. Cl.**
USPC **D7/605**
- (58) **Field of Classification Search**
USPC D7/605-607, 709; 220/915.1, 915.2,
220/592.01, 592.16, 592.17-592.27,
220/592.03, 592.2; 229/114, 117.25,
229/117.23, 117.14, 117.19, 911, 115, 906;
206/427, 161, 459.5
CPC ... F25D 2331/809; F25D 3/08; F25D 31/007;
B65D 5/4208; A45C 11/20
See application file for complete search history.

(56) **References Cited**

U.S. PATENT DOCUMENTS

2,457,422	A *	12/1948	Warner	383/2
4,305,500	A	12/1981	Jaeschke		
4,687,130	A	8/1987	Beeler		
5,020,337	A	6/1991	Krieg		
5,094,359	A	3/1992	DeMars et al.		
5,307,986	A	5/1994	Schuster		
5,337,947	A	8/1994	Eskandry		

(Continued)

FOREIGN PATENT DOCUMENTS

CA 155666 11/2014

OTHER PUBLICATIONS

“Triangular carrying box/compose type carton packaging design”,
retrieved from the internet at http://www.packmage.com/BoxTemplates/Z024_Triangular-Carrying-Box.aspx, at least as
early as Mar. 6, 2014, Package Technology Co., Limited, 2013, 1
page.

(Continued)

Primary Examiner — Terry Wallace

(74) *Attorney, Agent, or Firm* — Kilpatrick Townsend &
Stockton LLP

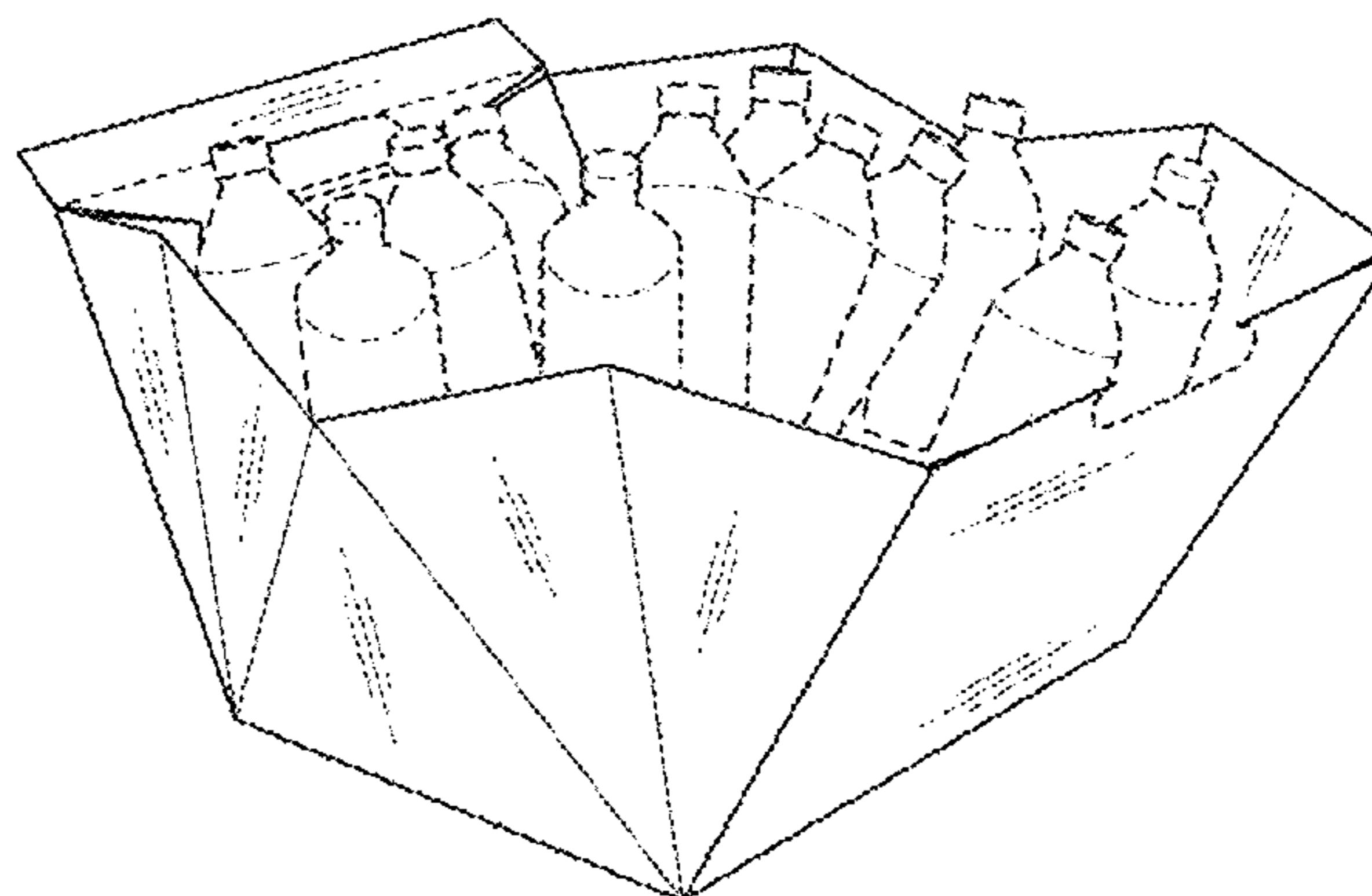
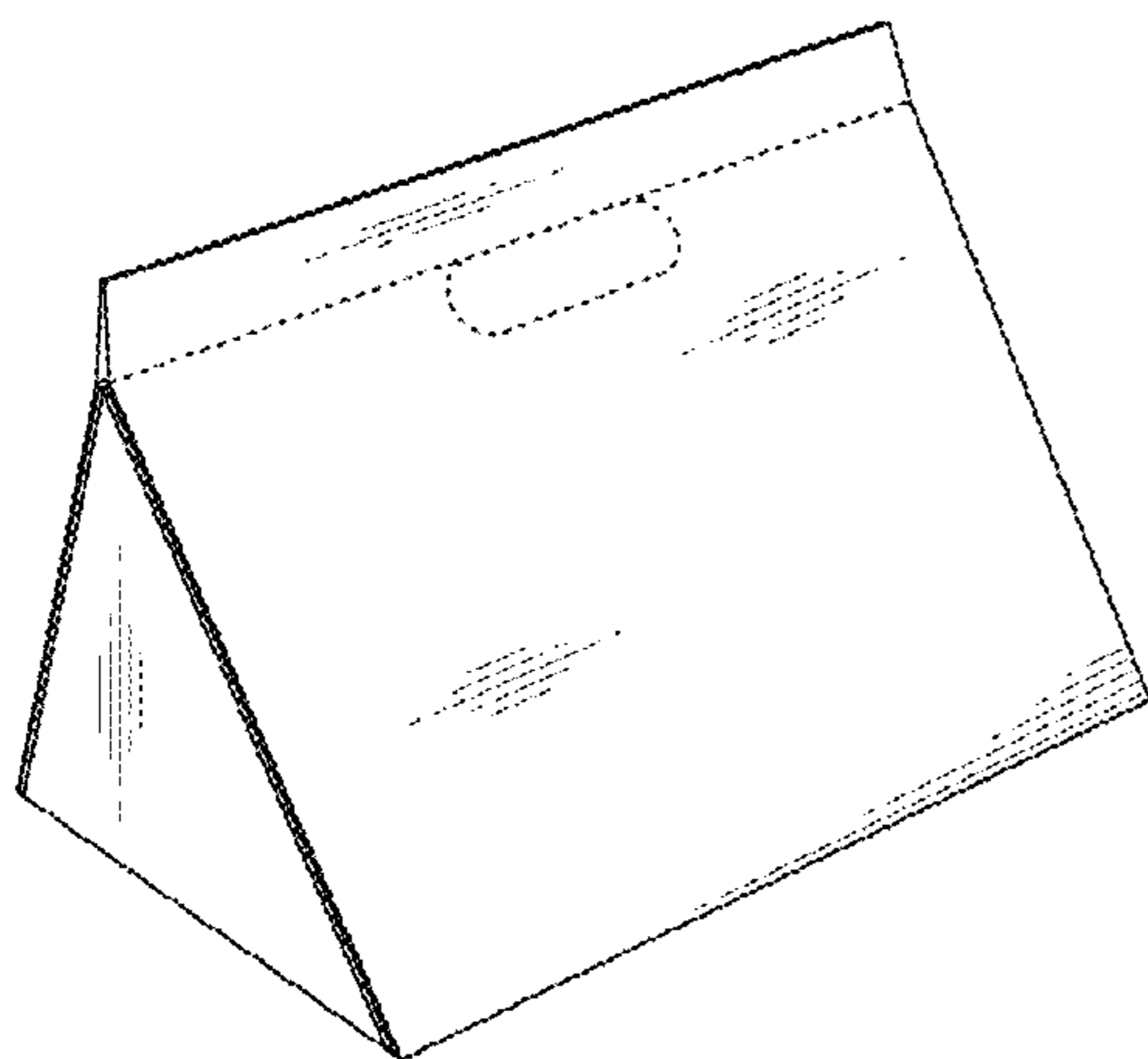
(57) **CLAIM**

The ornamental design for a cooler carrier, as shown and
described.

DESCRIPTION

FIG. 1 is a perspective view of a cooler carrier in a closed configuration;
FIG. 2 is a front plan view of a cooler carrier in a closed configuration;
FIG. 3 is a side view of a cooler carrier in a closed configuration, showing optional perforations that may be provided to ease opening of the cooler carrier;
FIG. 4 is a rear plan view of a cooler carrier in a closed configuration;
FIG. 5 is a top plan view of a cooler carrier in the closed configuration, showing optional handle openings in the front and rear panels that may be used for carrying;
FIG. 6 is a bottom plan view of a cooler carrier in the closed configuration;
FIG. 7 is perspective view of a cooler carrier in the opened configuration, holding optional beverages; and,
FIG. 8 is a top plan view of one embodiment of a blank that may be used to form a cooler carrier of the above Figures.
The broken lines and shade lines are for illustrative purposes only and form no part of the claimed design.

1 Claim, 5 Drawing Sheets



(56)

References Cited

OTHER PUBLICATIONS

U.S. PATENT DOCUMENTS

5,490,396 A * 2/1996 Morris 62/457.2
5,558,224 A 9/1996 Fogle
5,582,343 A 12/1996 Dalvey
6,360,558 B1 3/2002 Woog
2009/0282843 A1 * 11/2009 Brand 62/62
2014/0263593 A1 9/2014 Vasbinder et al.

U.S. Appl. No. 14/217,554, Non-Final Office Action mailed on Feb. 6, 2015, 10 pages.

U.S. Appl. No. 14/217,554, Final Office Action mailed on May 27, 2015, 7 pages.

* cited by examiner

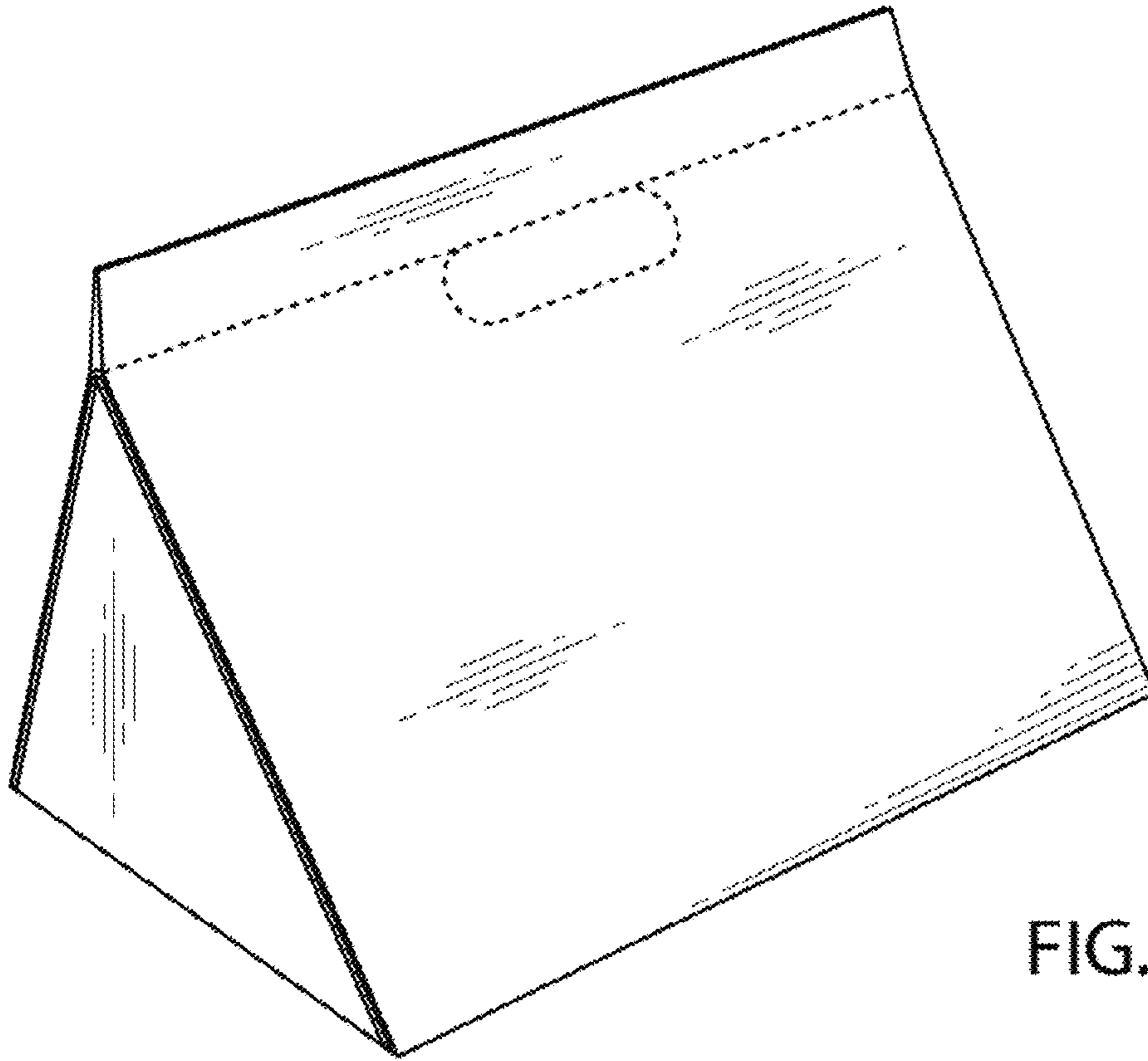


FIG. 1

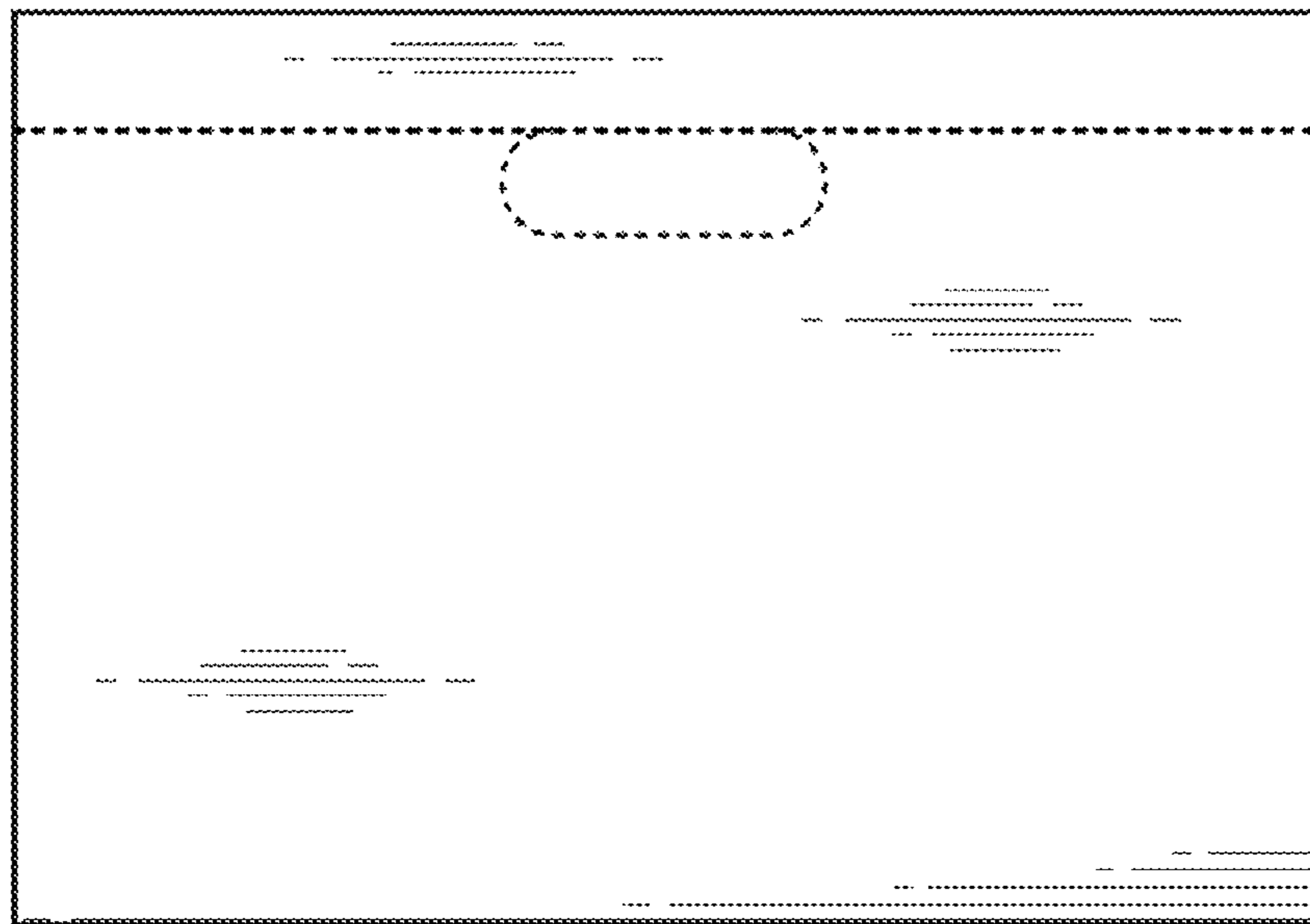


FIG. 2

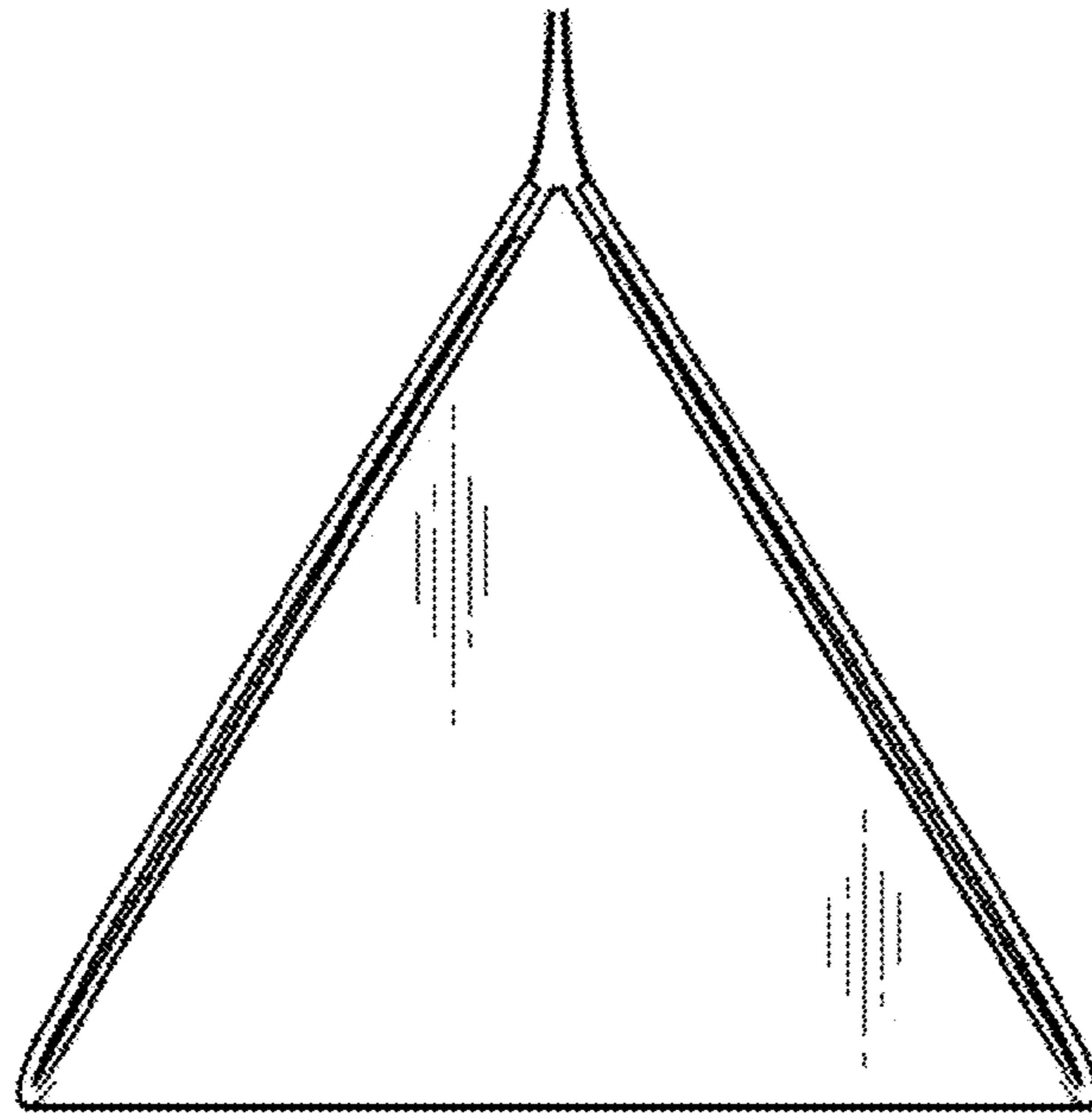


FIG. 3

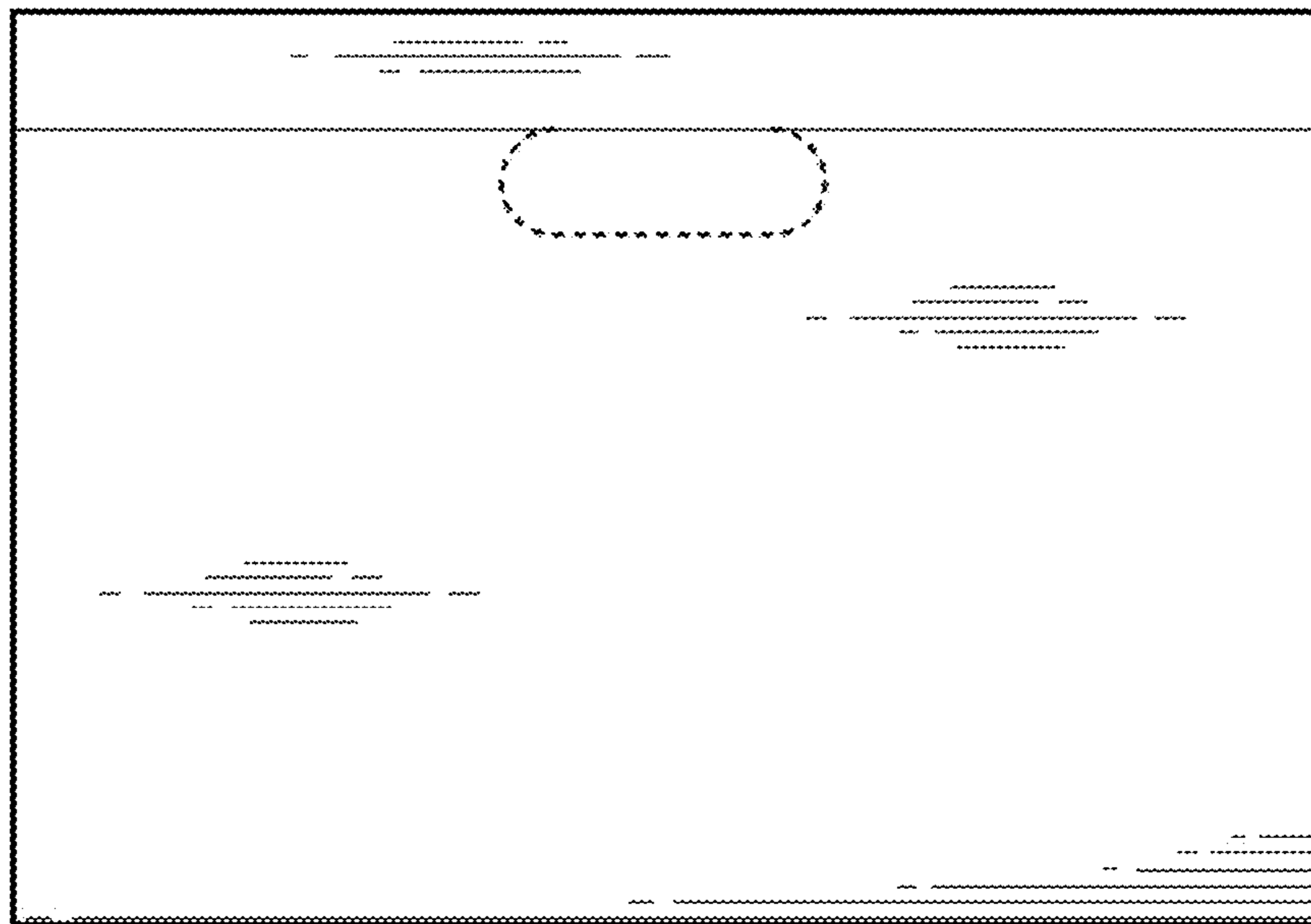


FIG. 4

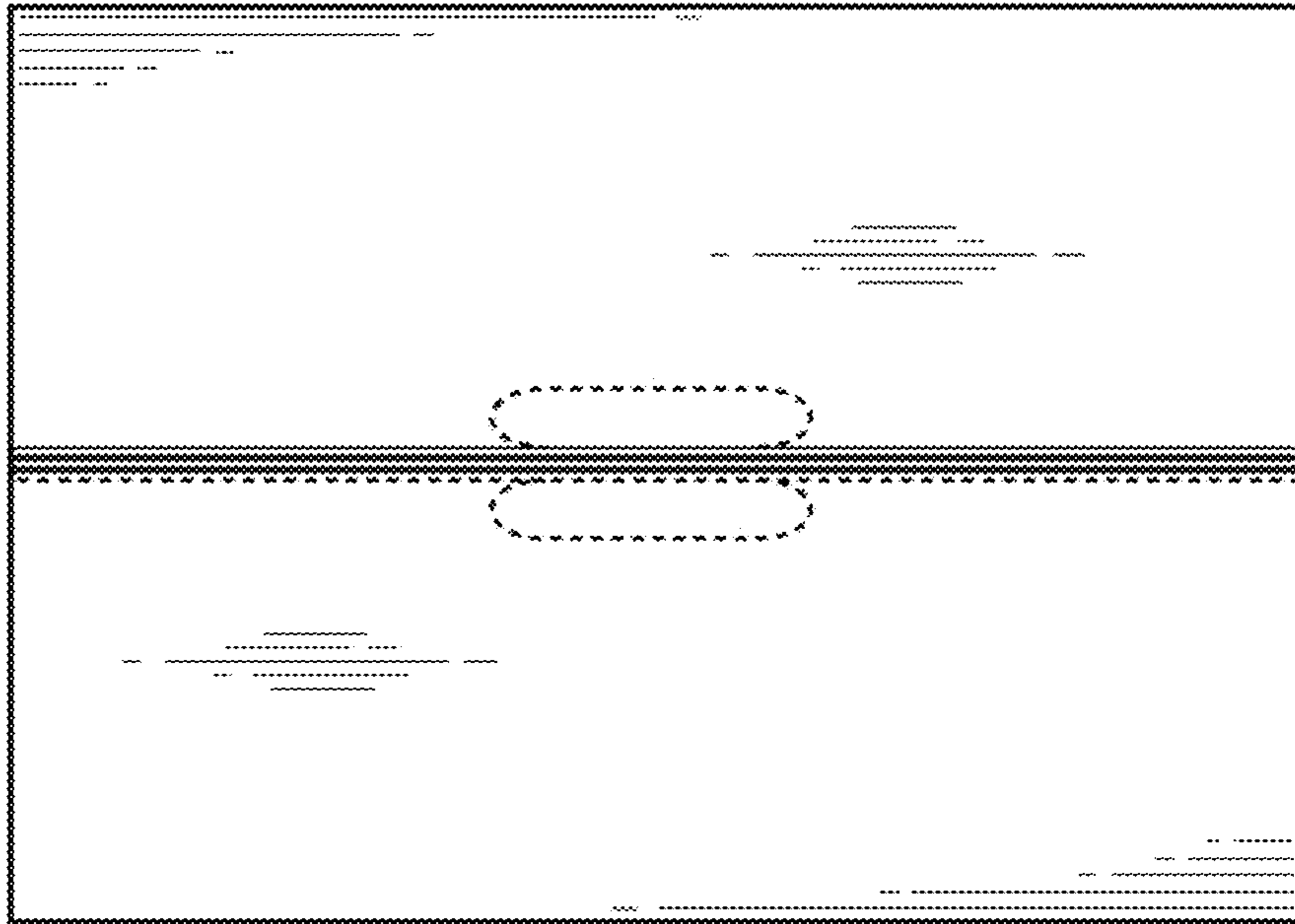


FIG. 5

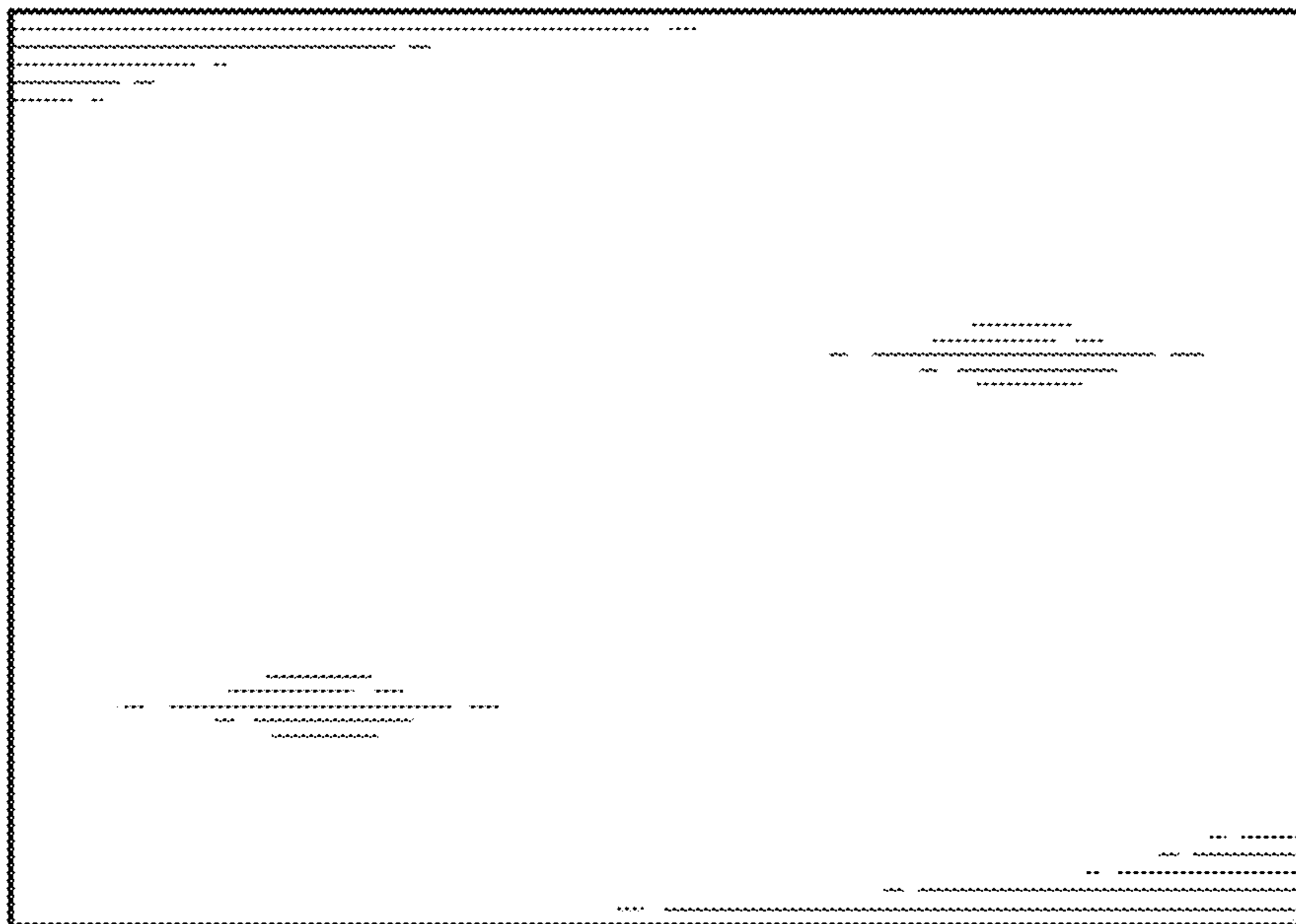


FIG. 6

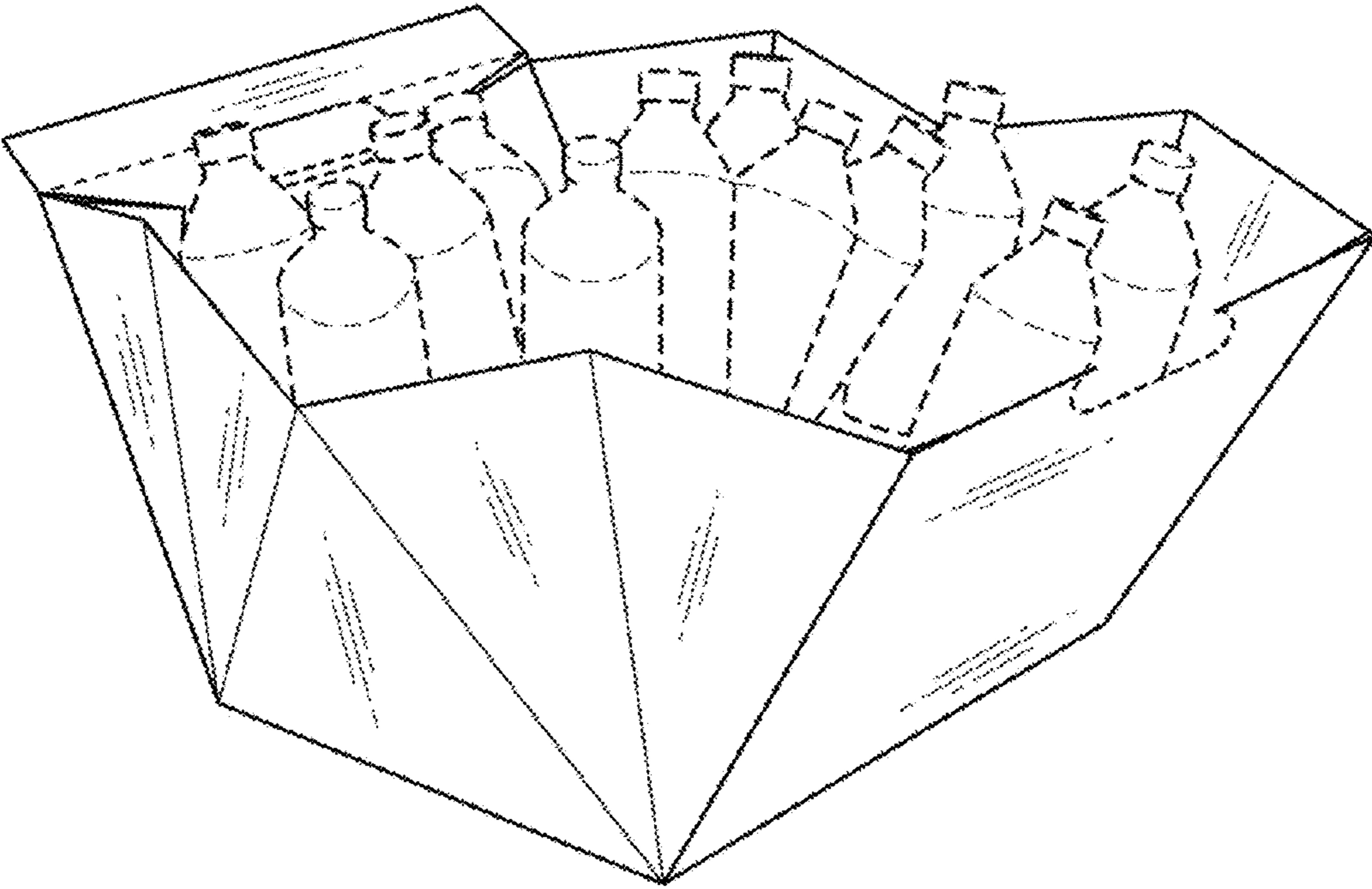


FIG. 7

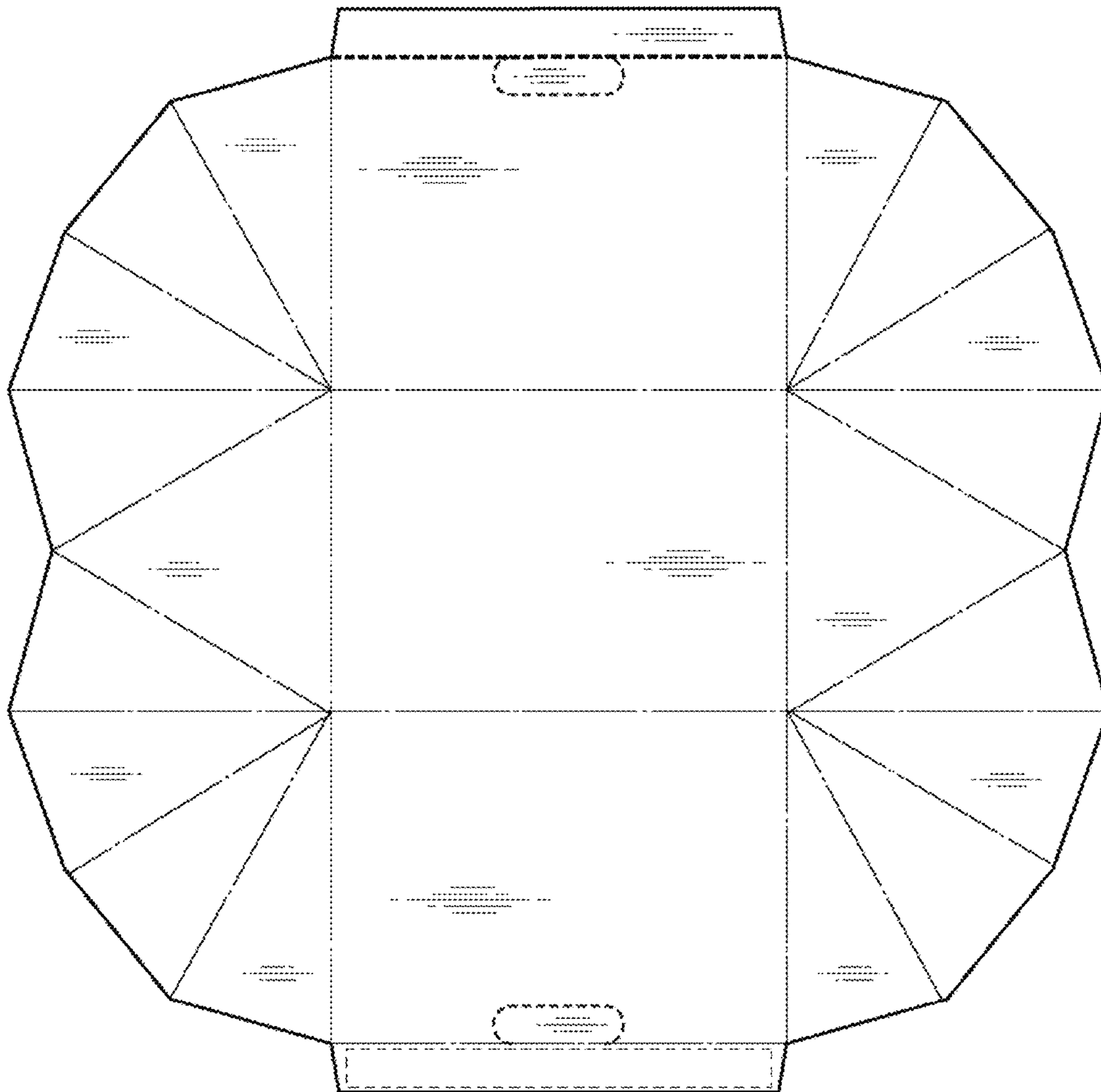


FIG. 8