



US00D734641S

(12) **United States Design Patent**
Ginsburg

(10) **Patent No.:** **US D734,641 S**

(45) **Date of Patent:** **** *Jul. 21, 2015**

- (54) **BOWL AND CUP COMBINATION**
 - (75) Inventor: **Steve Ginsburg**, Deerfield, IL (US)
 - (73) Assignee: **Running Away Multiport**, Deerfield, IL (US)
 - (*) Notice: This patent is subject to a terminal disclaimer.
 - (**) Term: **14 Years**
 - (21) Appl. No.: **29/431,846**
 - (22) Filed: **Sep. 11, 2012**
 - (51) **LOC (10) Cl.** **07-01**
 - (52) **U.S. Cl.**
USPC **D7/545; D7/555**
 - (58) **Field of Classification Search**
USPC D7/555, 584, 557, 553.8, 558, 601, 602, D7/543, 545, 357, 354, 503, 587, 588, 500, D7/396.4, 505, 704, 360, 361, 552.1, 586, D7/562, 560, 566, 504, 565, 553.1, 553.7, D7/549, 553.2, 553.4, 554.1; D9/424, 759, D9/432, 744, 643, 707, 341-348; 219/735, 219/732; 426/243; 220/574, 751, 23.4, 575; D1/122; D30/130; 215/382, 400; 206/217, 561; D28/61, 73
- See application file for complete search history.

- D435,321 S * 12/2000 Avila D30/130
- D463,217 S * 9/2002 Yang D7/555
- D527,954 S * 9/2006 Roth D7/557
- D587,529 S * 3/2009 Pratt D7/555
- D608,152 S * 1/2010 DePalo D7/553.6
- D650,237 S * 12/2011 McComas D7/553.8
- D673,426 S * 1/2013 Heiberg et al. D7/545
- 2005/0229793 A1 * 10/2005 Wengrovsky 99/483

* cited by examiner

Primary Examiner — Cynthia Underwood

(74) *Attorney, Agent, or Firm* — Edwards Wildman Palmer LLP; Christopher J. Capelli

(57) **CLAIM**

I claim the ornamental design for a bowl and cup combination, as shown and described.

DESCRIPTION

FIG. 1 is a front perspective view of a bowl and cup combination.

FIG. 2 is a rear perspective view of the bowl and cup combination of FIG. 1;

FIG. 3 is a side elevation view of the bowl and cup combination of FIG. 1;

FIG. 4 is a side elevation view of the bowl and cup combination of FIG. 1;

FIG. 5 is a front elevation view of the bowl and cup combination of FIG. 1;

FIG. 6 is a rear elevation view of the bowl and cup combination of FIG. 1;

FIG. 7 is a top view of the bowl and cup combination of FIG. 1; and,

FIG. 8 is a bottom view of the bowl and cup combination of FIG. 1.

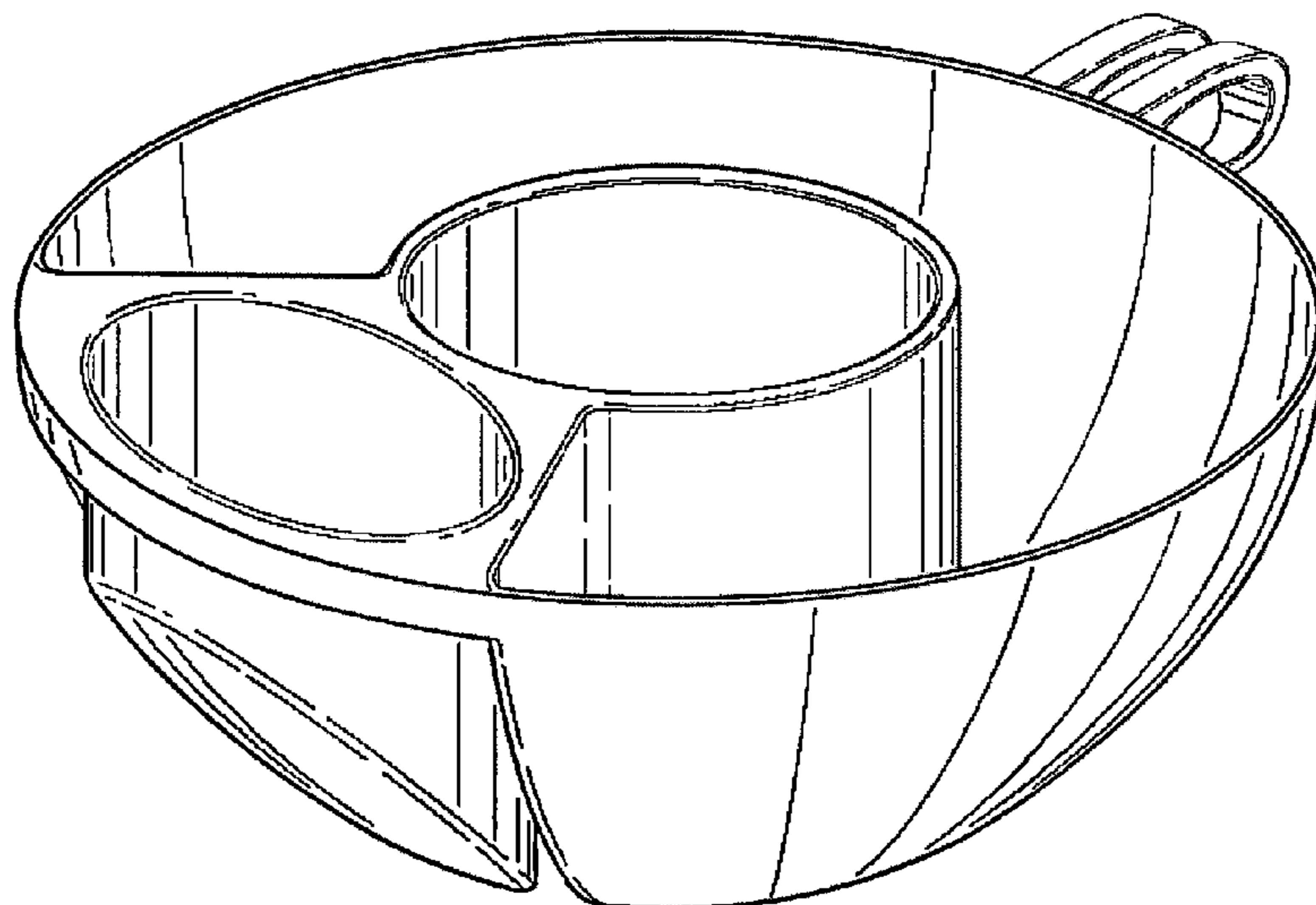
The broken lines are included for illustrative purposes and form no part of the claimed design.

1 Claim, 5 Drawing Sheets

(56) **References Cited**

U.S. PATENT DOCUMENTS

- D304,658 S * 11/1989 Mattei D7/505
- D360,112 S * 7/1995 McEntee D7/584
- D368,627 S * 4/1996 McSpadden D7/553.6
- D384,556 S * 10/1997 Logan et al. D7/546
- 5,960,982 A * 10/1999 Perlis et al. 220/574



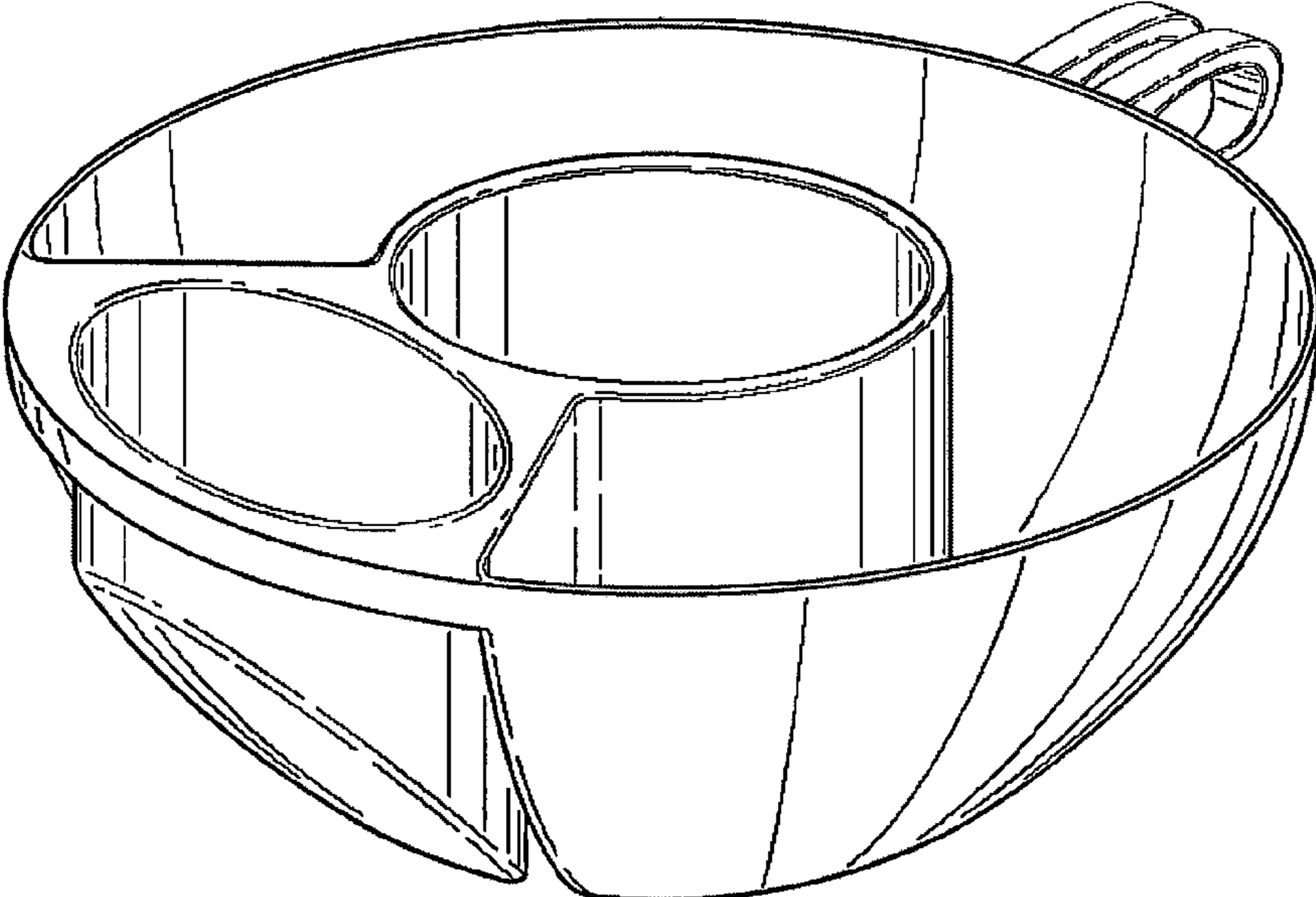


FIG. 1

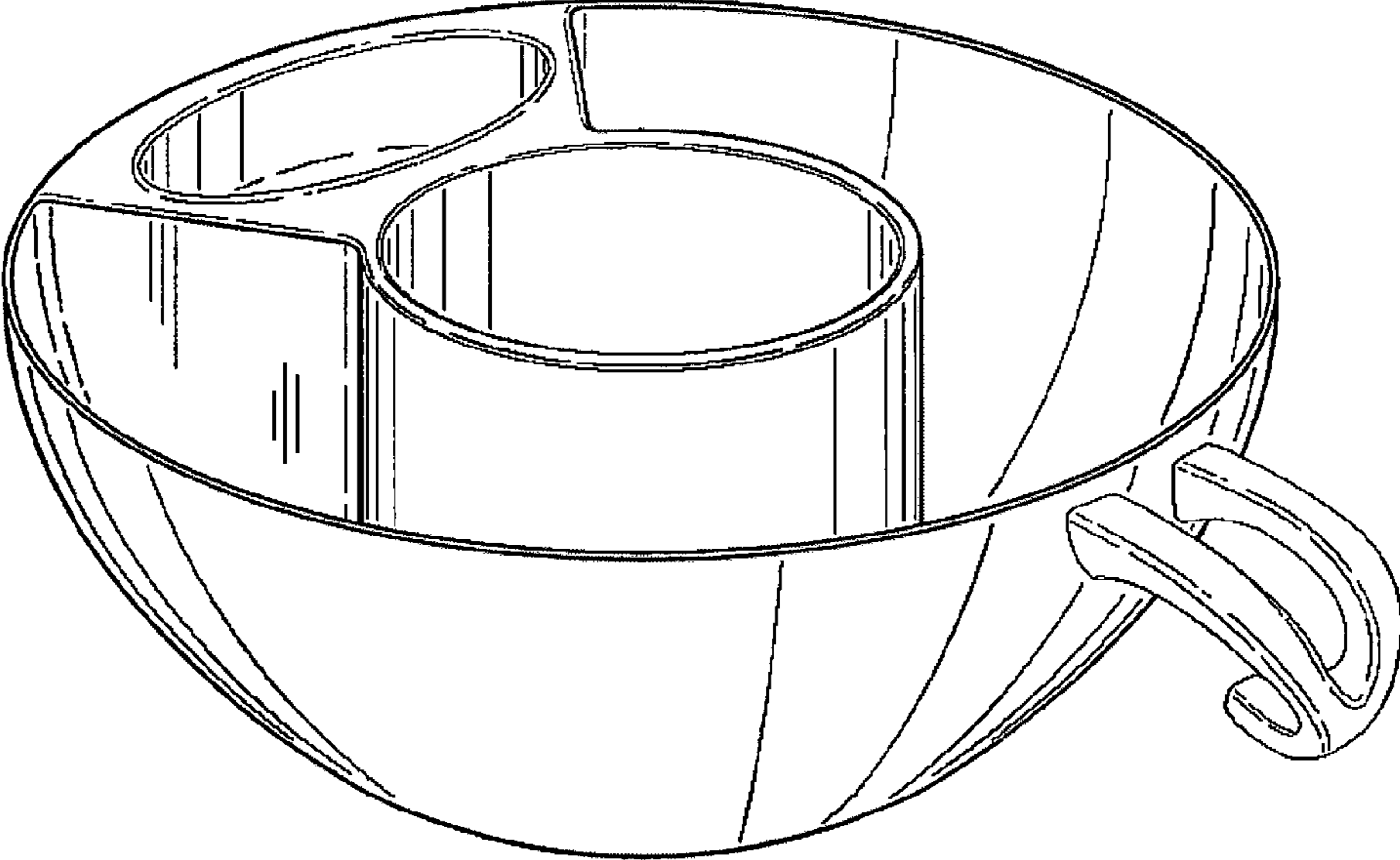


FIG. 2

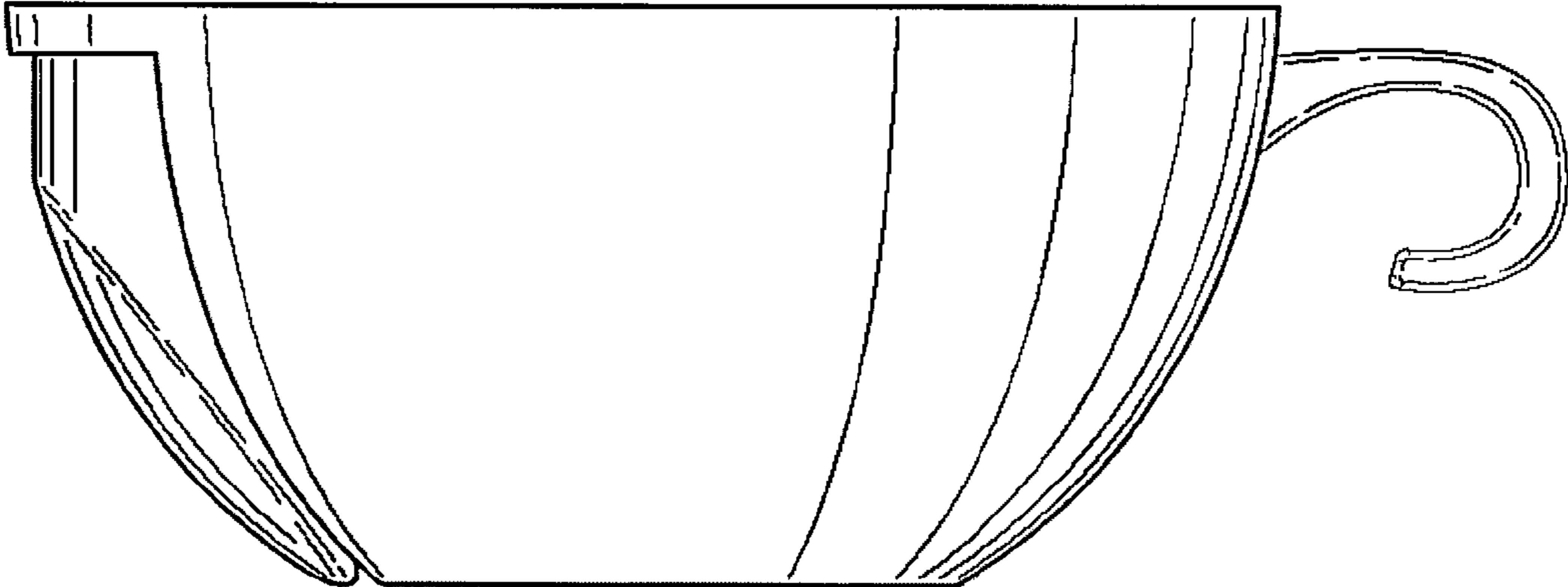


FIG. 3

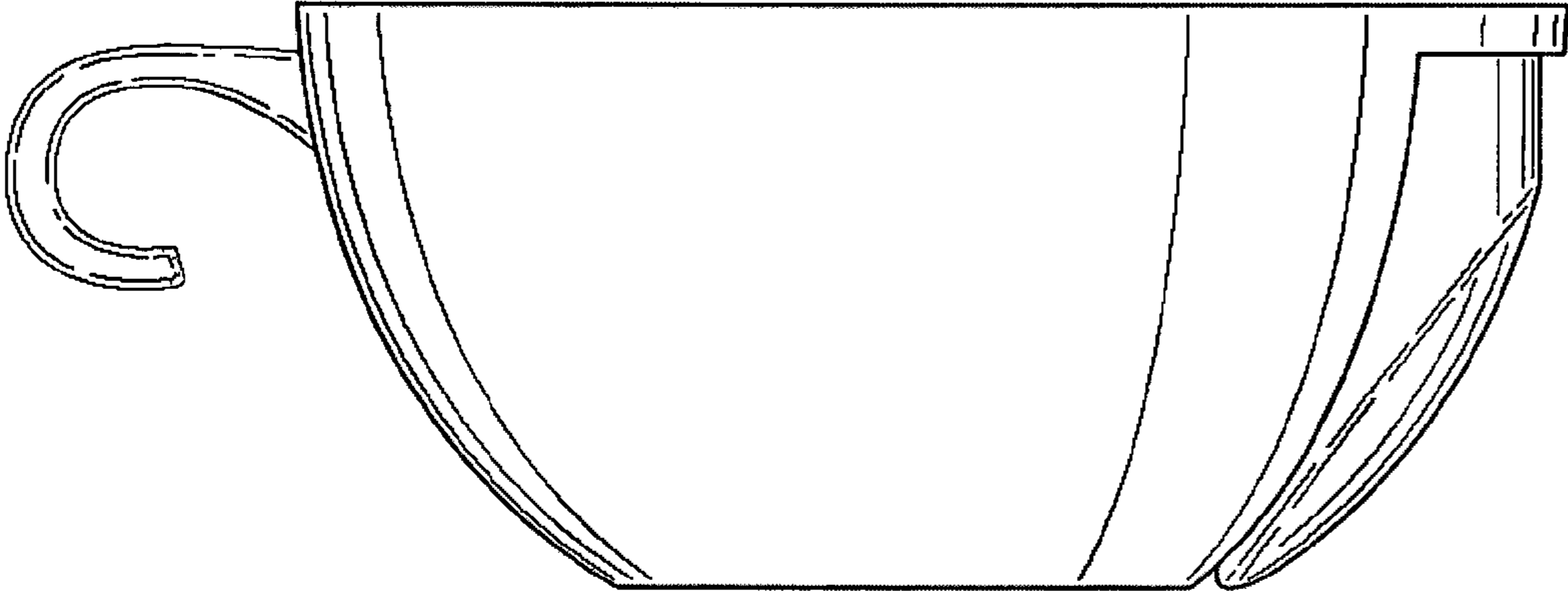


FIG. 4

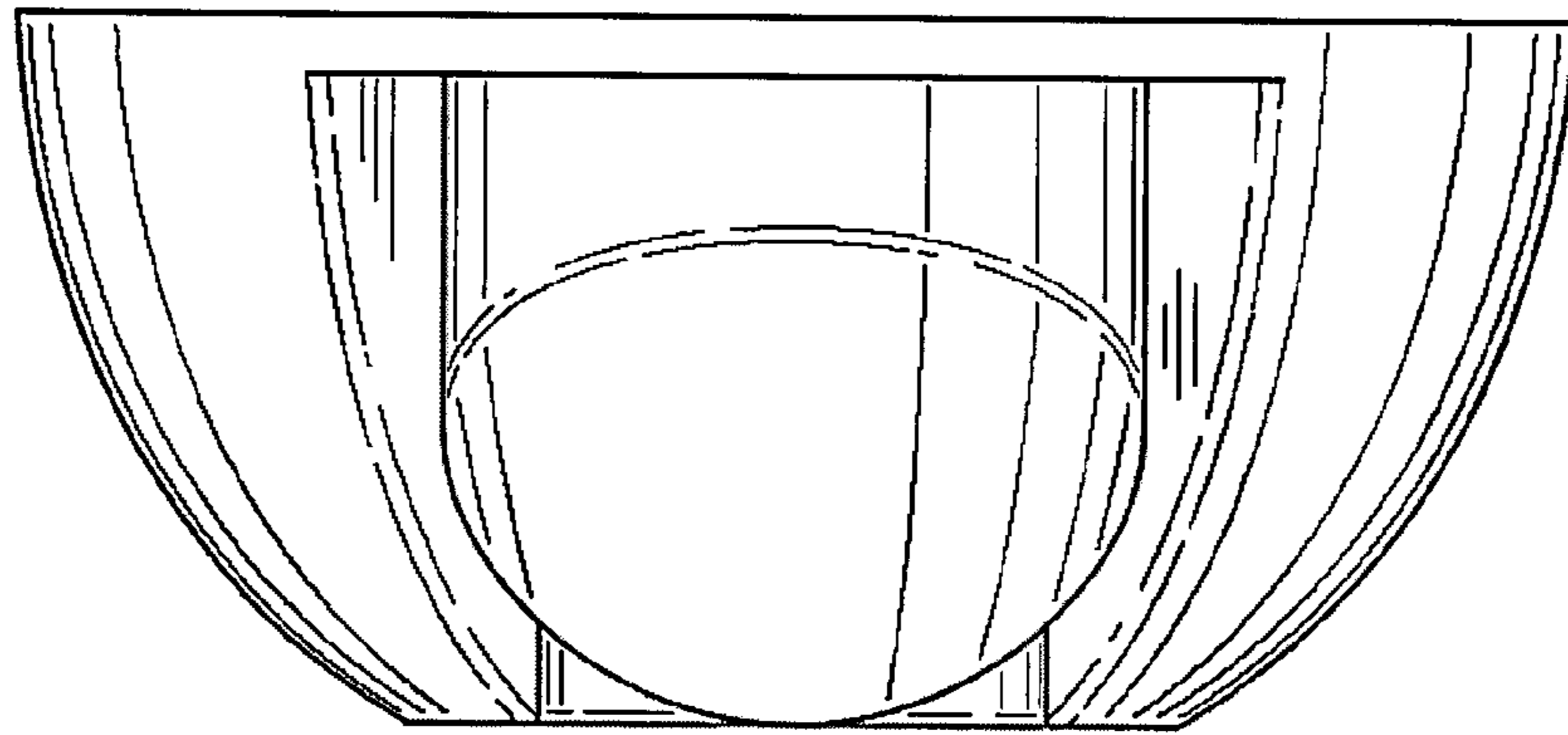


FIG. 5

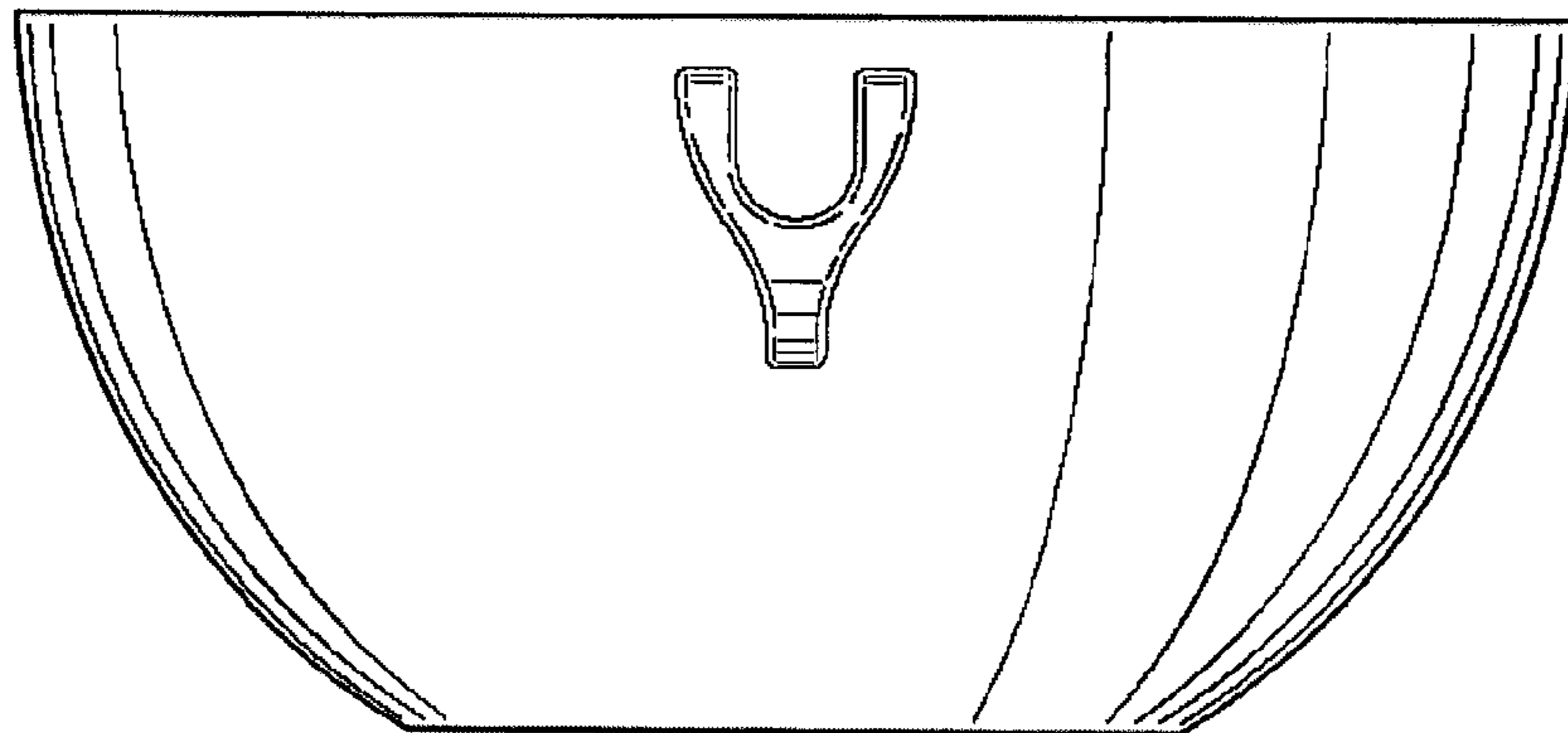


FIG. 6

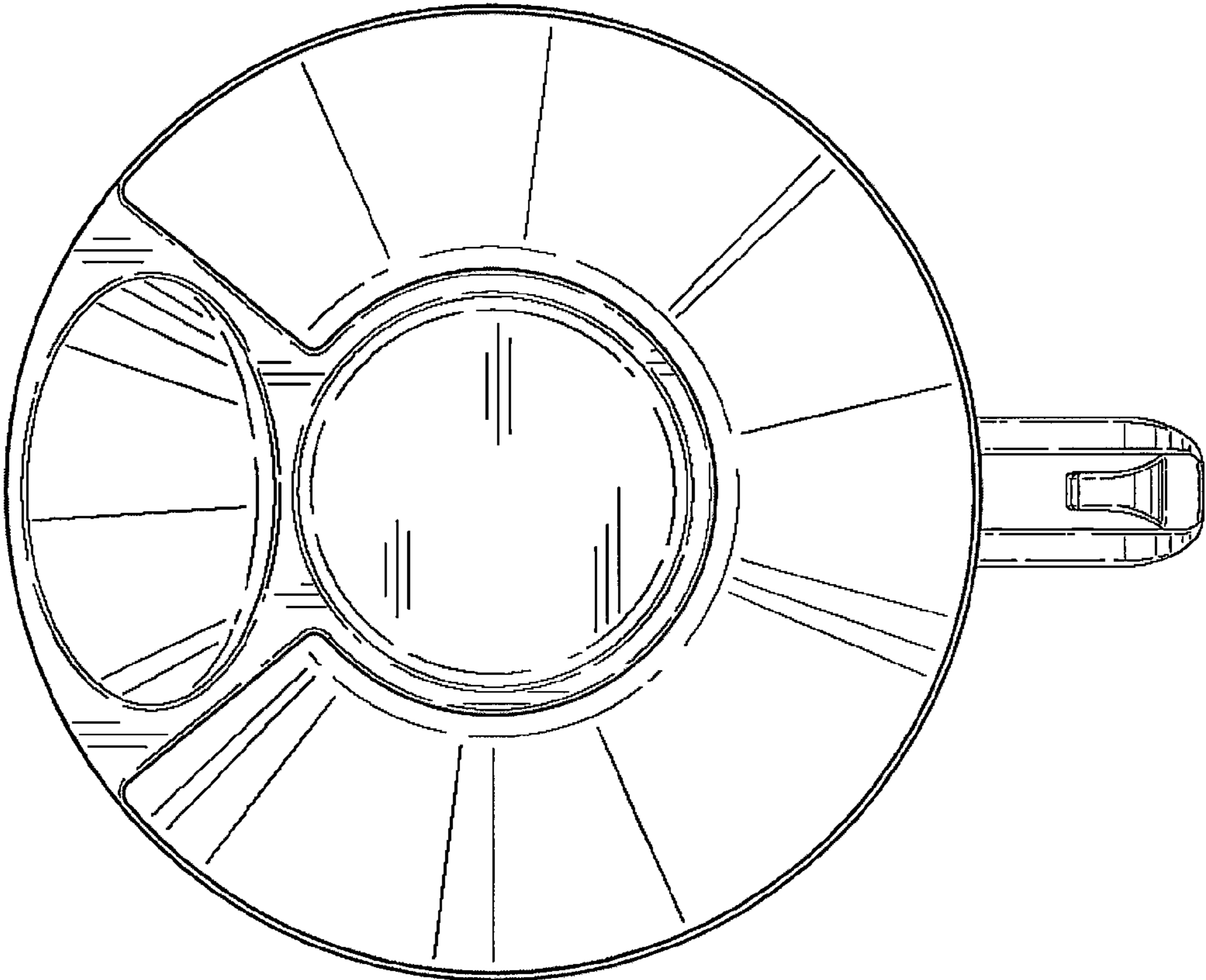


FIG. 7

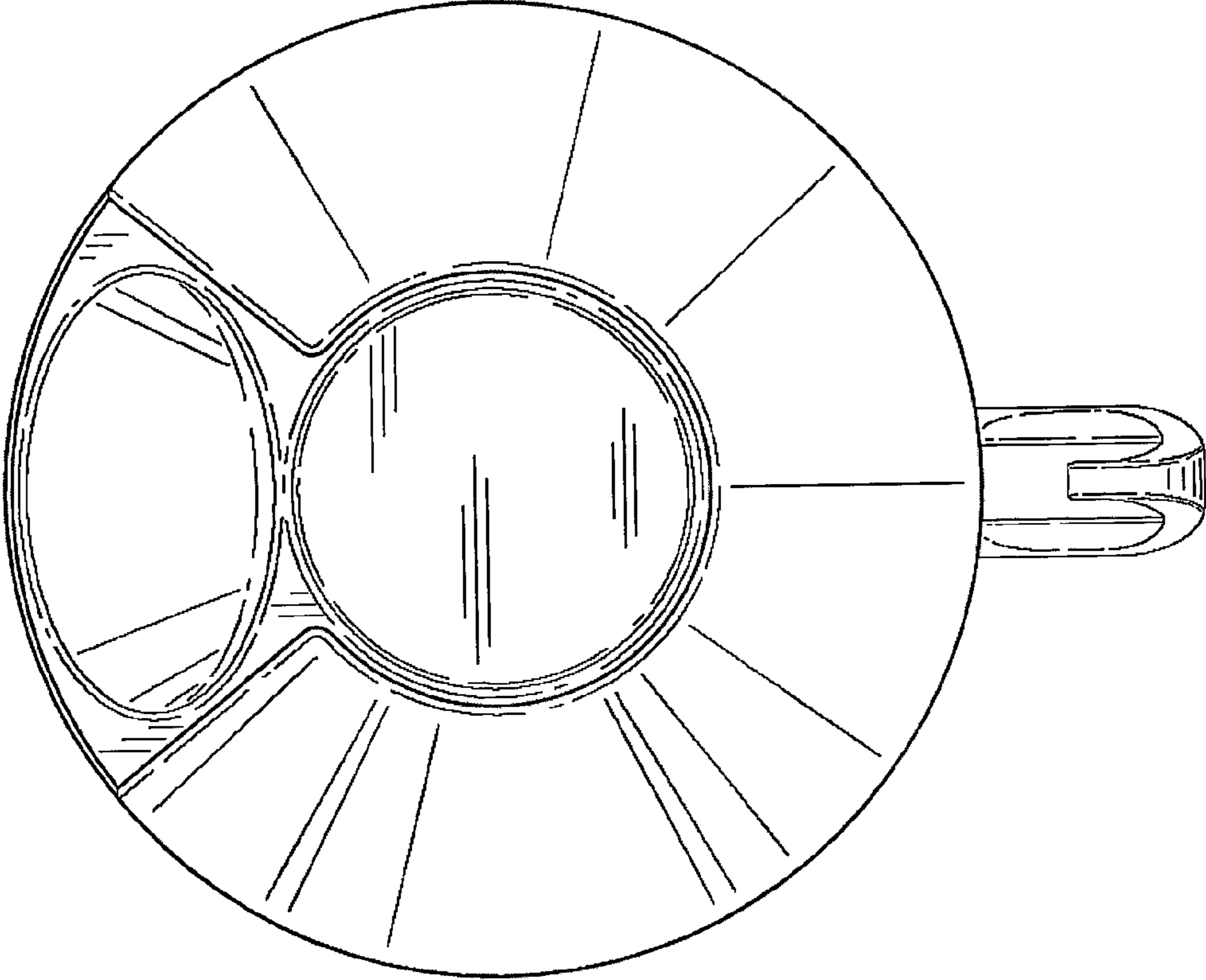


FIG. 8