



US00D734639S

(12) **United States Design Patent**  
**Lei**

(10) **Patent No.:** **US D734,639 S**

(45) **Date of Patent:** **\*\* Jul. 21, 2015**

(54) **MULTI STREAM WINE AERATOR**

(71) Applicant: **Skip A Lei**, Portland, OR (US)

(72) Inventor: **Skip A Lei**, Portland, OR (US)

(\*\*) Term: **14 Years**

(21) Appl. No.: **29/488,478**

(22) Filed: **Apr. 18, 2014**

(51) **LOC (10) Cl.** ..... **07-99**

(52) **U.S. Cl.**  
USPC ..... **D7/398; D7/397; D7/392; D7/213;**  
**D9/440; D9/436**

(58) **Field of Classification Search**  
USPC ..... **D7/397, 398, 399, 400, 401, 213, 396.1,**  
**D7/396.2, 396.3, 396.4, 387, 392, 700;**  
**D9/440, 439, 436; 261/75, 76, 97, 110,**  
**261/30; 222/190, 450, 189.06, 476, 479;**  
**426/474; 141/344**  
CPC ..... **B01F 2215/0072; B01F 5/0428; B01F**  
**2215/007; C12G 1/00**  
See application file for complete search history.

(56) **References Cited**

**U.S. PATENT DOCUMENTS**

3,164,300	A *	1/1965	Dousette	.....	222/153.06
3,233,797	A *	2/1966	Conry	.....	222/477
D223,693	S *	5/1972	Chi	.....	D7/398
D389,761	S *	1/1998	Thomas	.....	D10/103
D421,908	S *	3/2000	Abrams	.....	D9/440
D447,602	S *	9/2001	Dumler et al.	.....	D28/76
D468,205	S *	1/2003	Pierce	.....	D9/440
6,568,660	B1 *	5/2003	Flanbaum	.....	261/76
D484,411	S *	12/2003	Haruch	.....	D9/448
D520,359	S *	5/2006	Sach	.....	D9/439
D577,997	S *	10/2008	Pan	.....	D9/440
D591,594	S *	5/2009	Jalet	.....	D9/440
D614,443	S *	4/2010	Federighi	.....	D7/398
D633,753	S *	3/2011	White	.....	D7/398

D652,251	S *	1/2012	Goralski et al.	.....	D7/397
D663,172	S *	7/2012	Huynh	.....	D7/700
D677,524	S *	3/2013	Agarwal et al.	.....	D7/398
D681,393	S *	5/2013	Agarwal et al.	.....	D7/398
8,556,136	B2 *	10/2013	Huynh	.....	222/500
8,561,970	B1 *	10/2013	Mills et al.	.....	261/30
D701,080	S *	3/2014	Mills et al.	.....	D7/397
D702,493	S *	4/2014	Tang	.....	D7/398
D705,004	S *	5/2014	Mills et al.	.....	D7/397
D710,649	S *	8/2014	Kihl	.....	D7/397
D719,402	S *	12/2014	Khan	.....	D7/398
D720,959	S *	1/2015	Mok	.....	D7/398
D724,892	S *	3/2015	Gonzalez-Quiros	.....	D7/397
2012/0156338	A1 *	6/2012	Agarwal et al.	.....	426/231
2012/0156345	A1 *	6/2012	Agarwal et al.	.....	426/474
2012/0224451	A1 *	9/2012	Sabadicci et al.	.....	366/163.2
2012/0261844	A1 *	10/2012	Lei	.....	261/119.1
2013/0153685	A1 *	6/2013	Michael J. et al.	.....	239/428.5
2014/0120226	A1 *	5/2014	Kuru et al.	.....	426/474
2014/0252662	A1 *	9/2014	Graham	.....	261/76
2014/0284823	A1 *	9/2014	Fraser	.....	261/108

\* cited by examiner

*Primary Examiner* — Marianne Pandozzi

*Assistant Examiner* — Jae Liang

(74) *Attorney, Agent, or Firm* — Sean P Fitzgerald

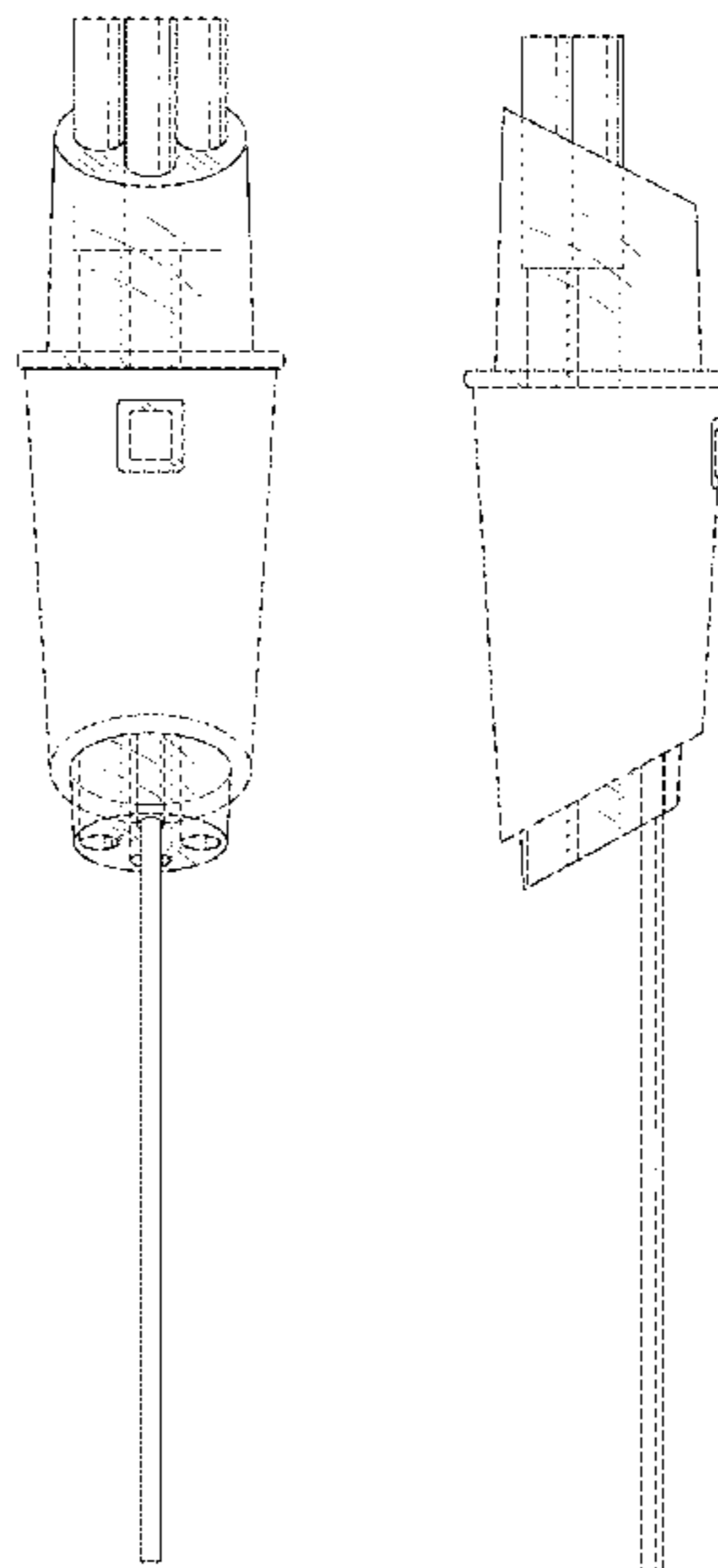
(57) **CLAIM**

The ornamental design for a multi stream wine aerator, as shown and described.

**DESCRIPTION**

FIG. 1 is a top plan view of a multi stream wine aerator showing my new design;  
FIG. 2 is a front elevational view thereof;  
FIG. 3 is a left side elevational view thereof, the right side being a mirror image; and,  
FIG. 4 is a rear elevational view thereof.  
The broken line showing in the figure drawings are included for the purpose of illustration and form no part of the claimed design.

**1 Claim, 4 Drawing Sheets**



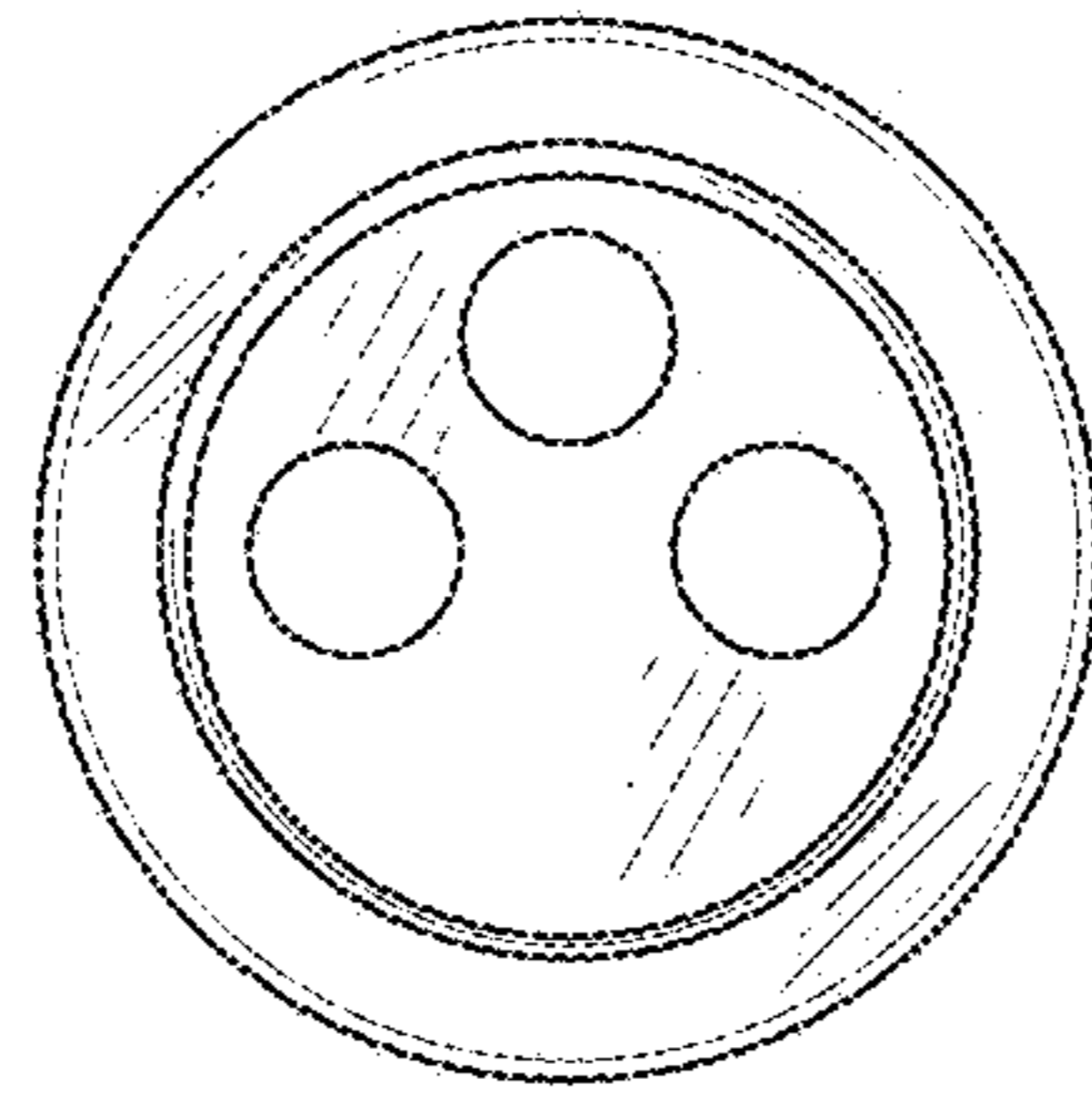


FIG. 1

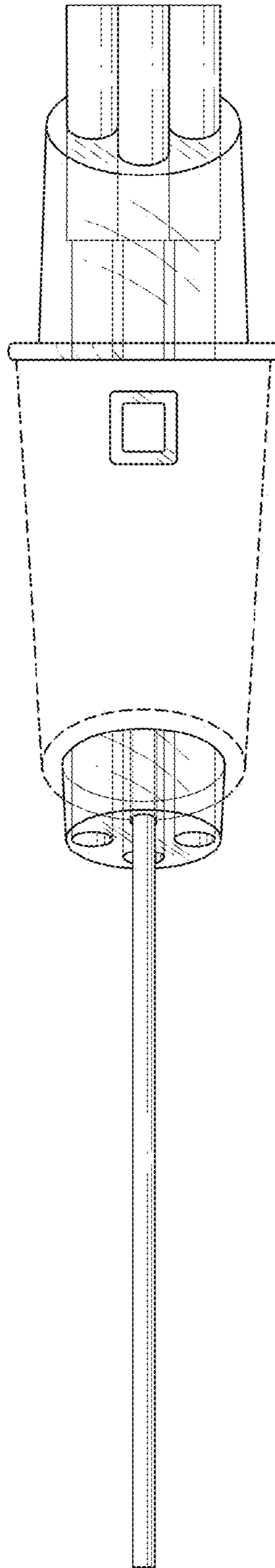


FIG. 2

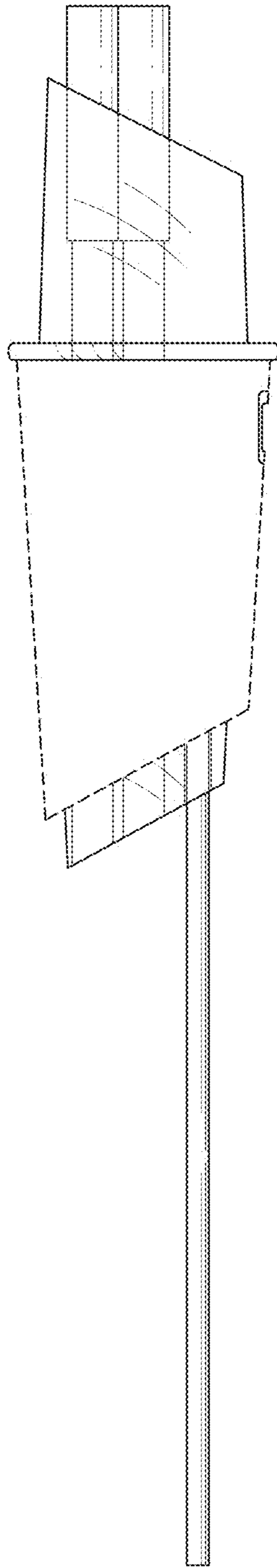


FIG. 3

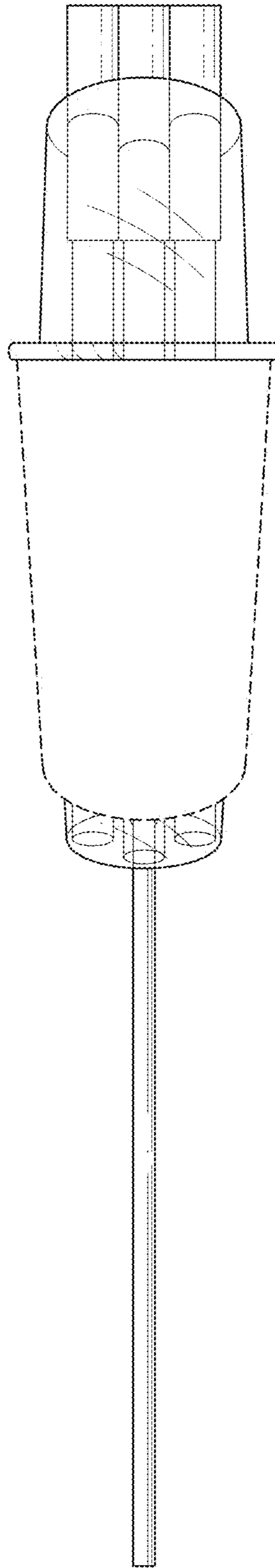


FIG. 4