



US00D734637S

(12) **United States Design Patent**
Benoit et al.

(10) **Patent No.:** **US D734,637 S**
(45) **Date of Patent:** **** Jul. 21, 2015**

(54) **APPLIANCE BASE**

(71) Applicant: **Whirlpool Corporation**, Benton Harbor, MI (US)

(72) Inventors: **Kaitlyn M. Benoit**, St. Joseph, MI (US);
Leif A. Norland, St. Joseph, MI (US)

(73) Assignee: **Whirlpool Corporation**, Benton Harbor, MI (US)

(**) Term: **14 Years**

(21) Appl. No.: **29/484,995**

(22) Filed: **Mar. 14, 2014**

(51) **LOC (10) Cl.** **31-00**

(52) **U.S. Cl.**
USPC **D7/386; D7/376; D7/378; D7/384**

(58) **Field of Classification Search**
USPC D7/372, 376–386, 412–413, 602, 629,
D7/665–666, 669, 679, 693–694;
99/509–511; 241/36, 92, 98,
241/101.01–101.2, 166–169.1, 274–278.2,
241/285.1–285.3, 291, 292.1; 366/64–65,
366/97–98, 100, 130, 197–201, 205–207,
366/219–220, 314, 341–343
CPC A21C 1/02; A21C 1/04; A23N 1/00;
A23N 1/02; A47J 43/04; A47J 43/25; A47J
43/27; A47J 43/042; A47J 43/044; A47J
43/046; A47J 43/06; A47J 43/075; A47J
43/0722; A47J 43/0727; B01F 3/00; B01F
3/0807; B01F 3/0853; B01F 13/0059; B01F
13/0064; B02C 1/08; B02C 2/04; B02C 4/42;
B02C 4/142; B02C 4/143; B02C 4/423;
B02C 13/1835; B02C 5/10; B02C 5/12;
B02C 5/14; B02C 5/16

See application file for complete search history.

(56) **References Cited**

U.S. PATENT DOCUMENTS

D254,950	S	*	5/1980	Besford	D7/386
D256,318	S	*	8/1980	Levin	D7/384
D267,538	S	*	1/1983	Steinkamp et al.	D7/386
D297,901	S	*	10/1988	Barrault	D7/384
5,071,077	A	*	12/1991	Arroubi et al.	241/36
D345,079	S	*	3/1994	Johnson	D7/384
5,486,050	A	*	1/1996	Lenting	366/314
D366,984	S	*	2/1996	Hsu	D7/376
D434,271	S	*	11/2000	Naft et al.	D7/384
D457,380	S	*	5/2002	Mauch	D7/384
D457,381	S	*	5/2002	Brady	D7/384
D591,558	S	*	5/2009	Barnard et al.	D7/412
D708,007	S	*	7/2014	Lazzer	D7/384

* cited by examiner

Primary Examiner — Ricky Pham

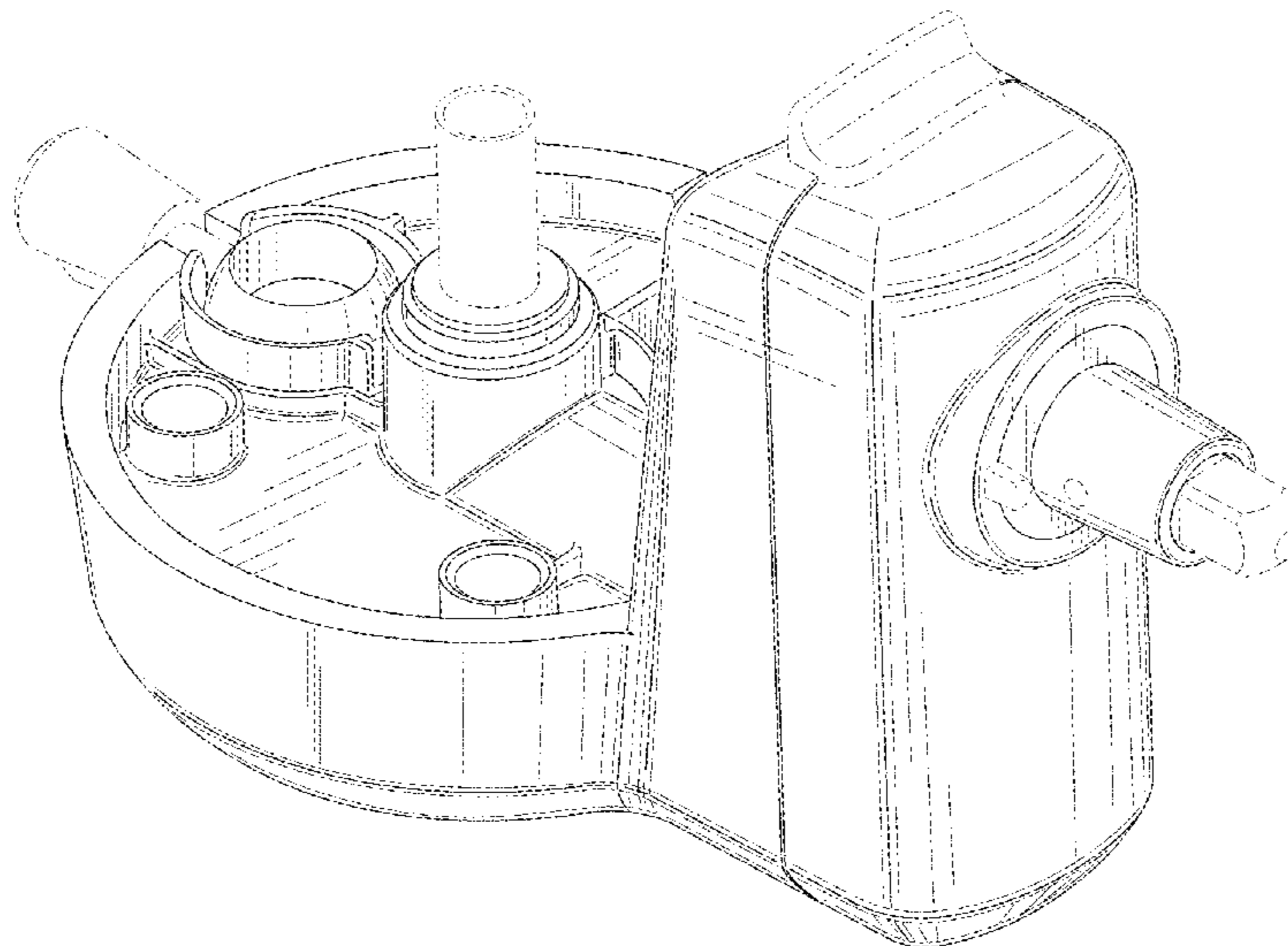
(57) **CLAIM**

We claim the ornamental design for an appliance base, as shown and described.

DESCRIPTION

FIG. 1 is a front perspective view of an appliance base of the present disclosure;
FIG. 2 is a front elevational view of the appliance base of FIG. 1;
FIG. 3 is a rear elevational view of the appliance base of FIG. 1;
FIG. 4 is a first side elevational view of the appliance base of FIG. 1;
FIG. 5 is a second side elevational view of the appliance base of FIG. 1;
FIG. 6 is a top plan view of the appliance base of FIG. 1; and,
FIG. 7 is a bottom plan view of the appliance base of FIG. 1.
The broken lines shown in the drawings are for illustrative purposes only and form no part of the claimed design.

1 Claim, 4 Drawing Sheets



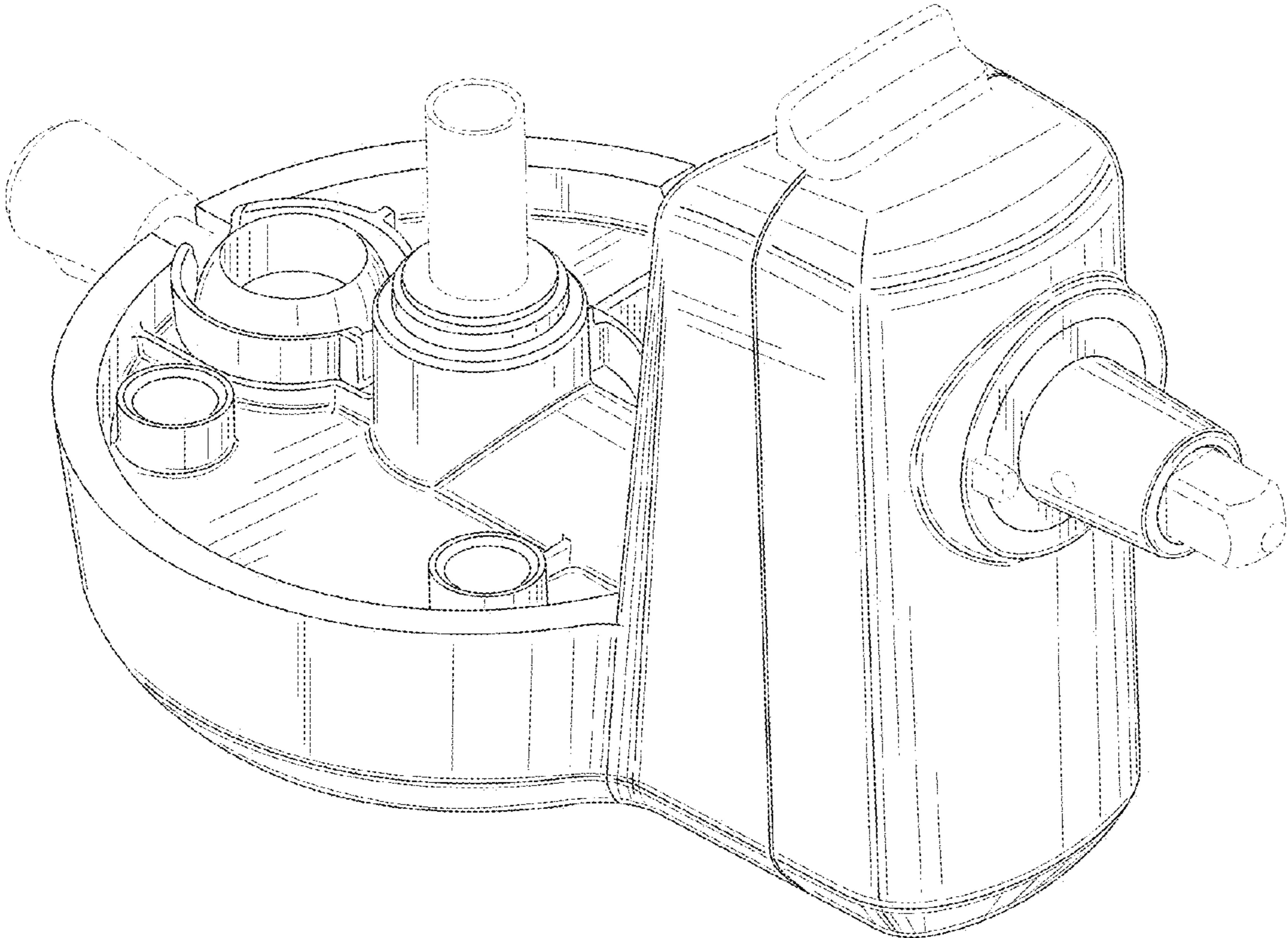


Fig. 1

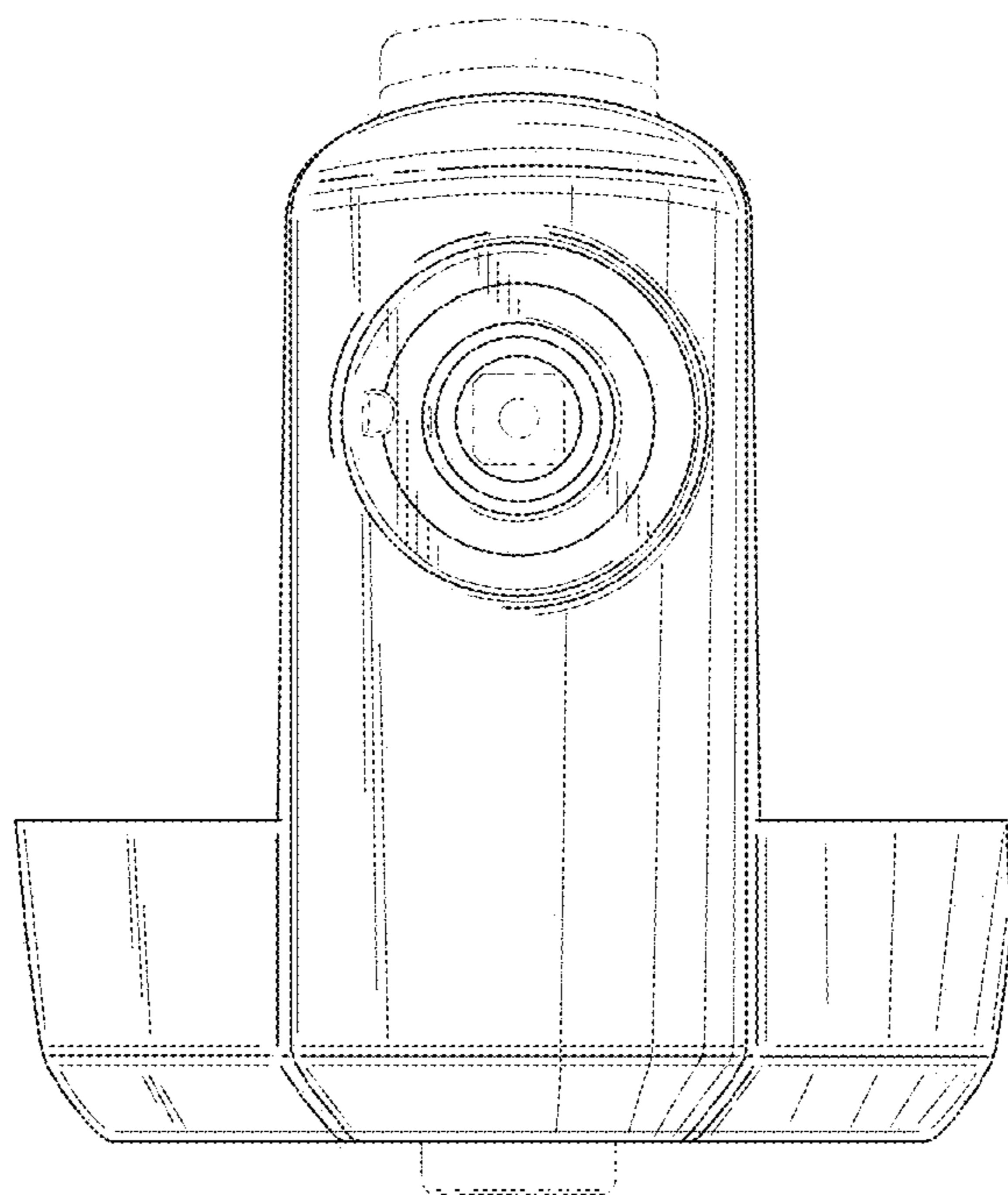


Fig. 2

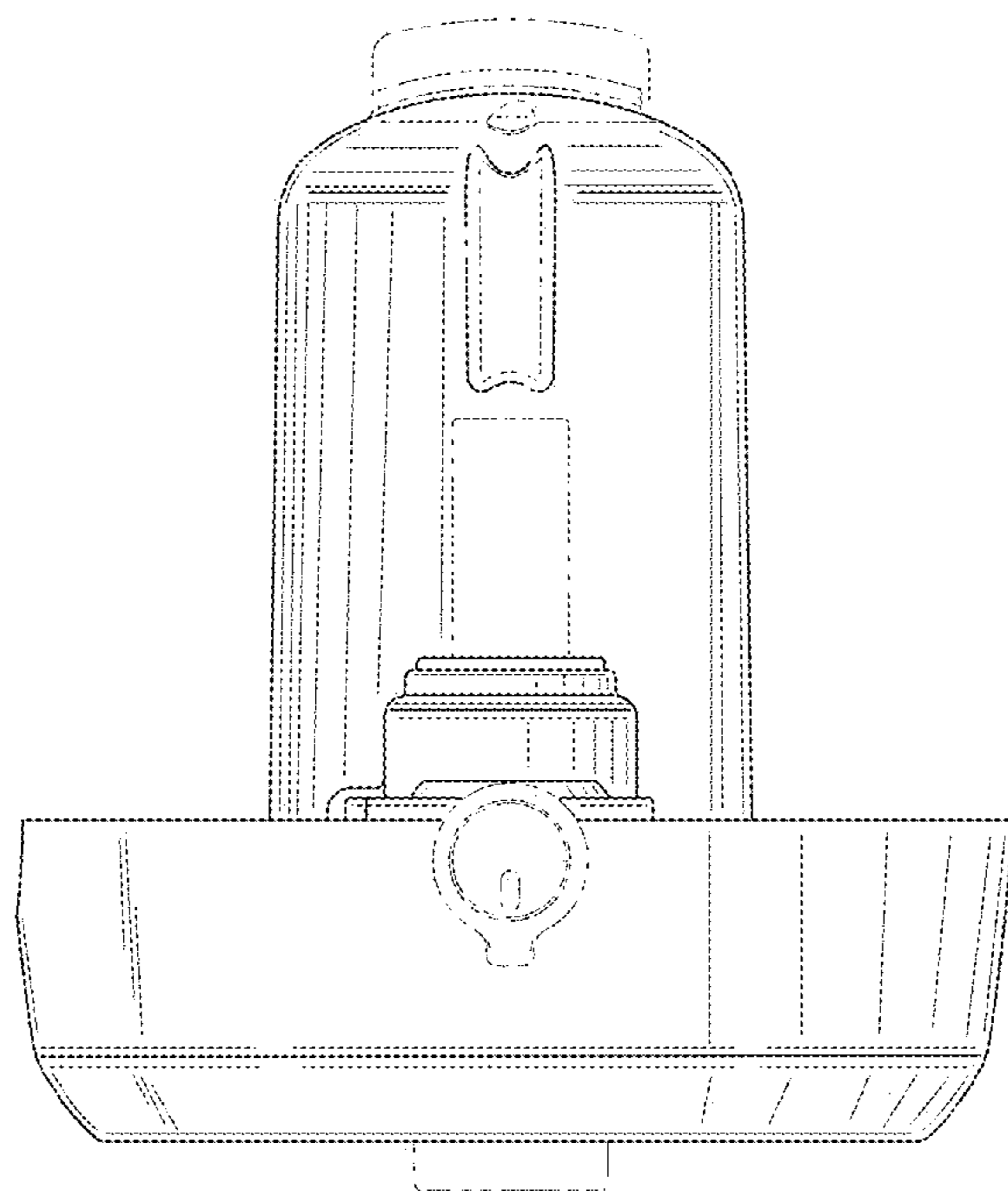


Fig. 3

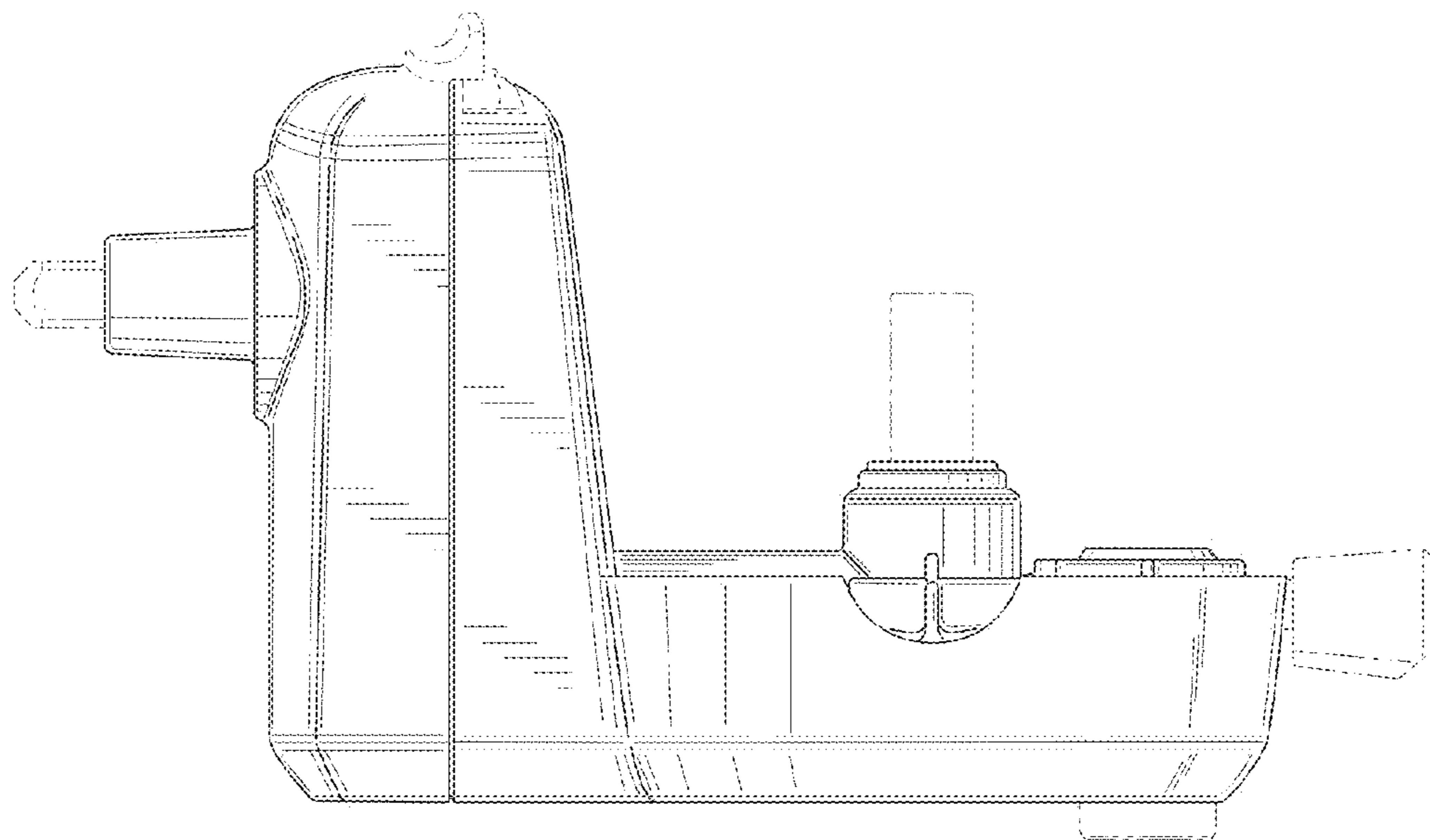


Fig. 4

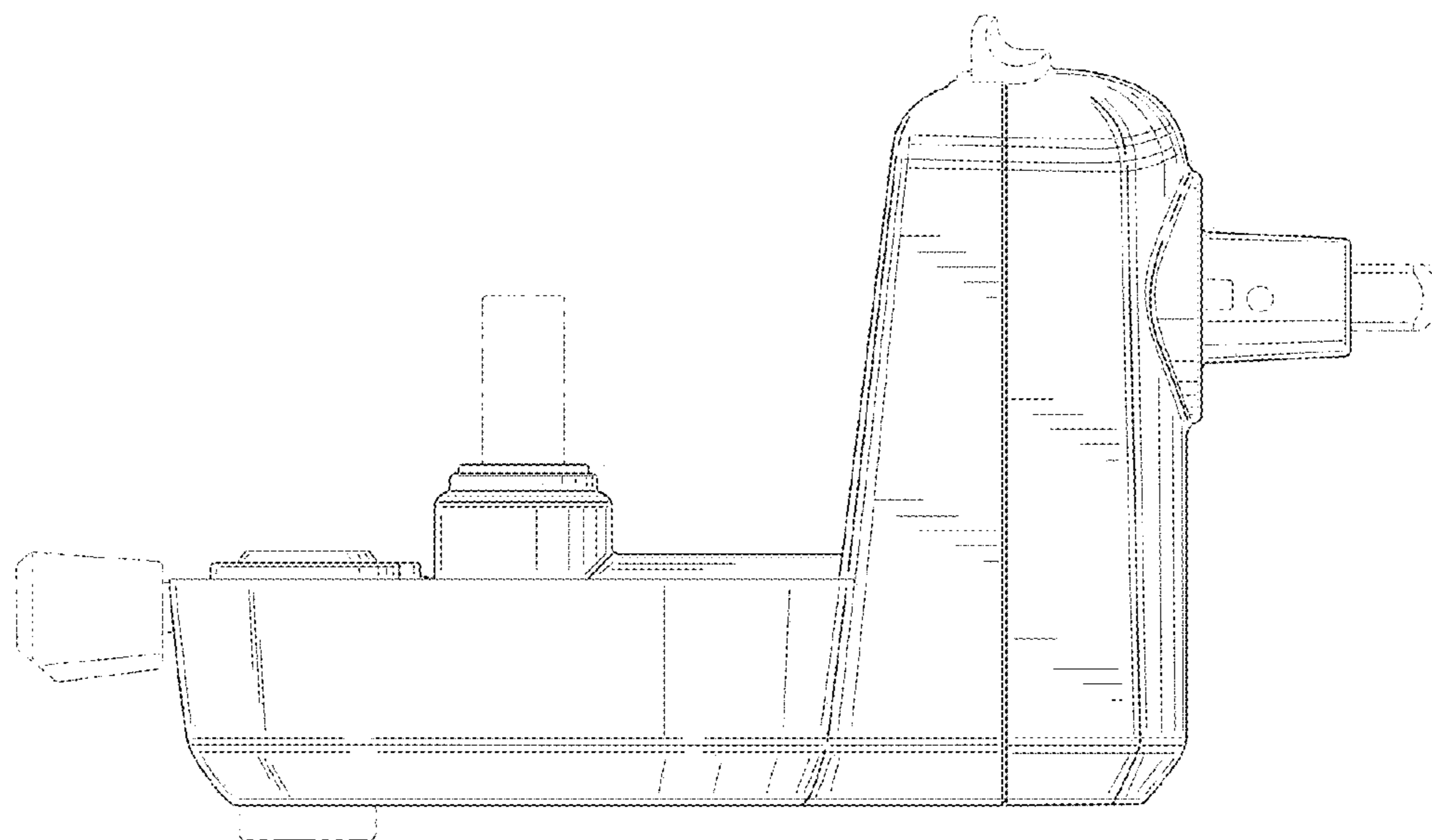


Fig. 5

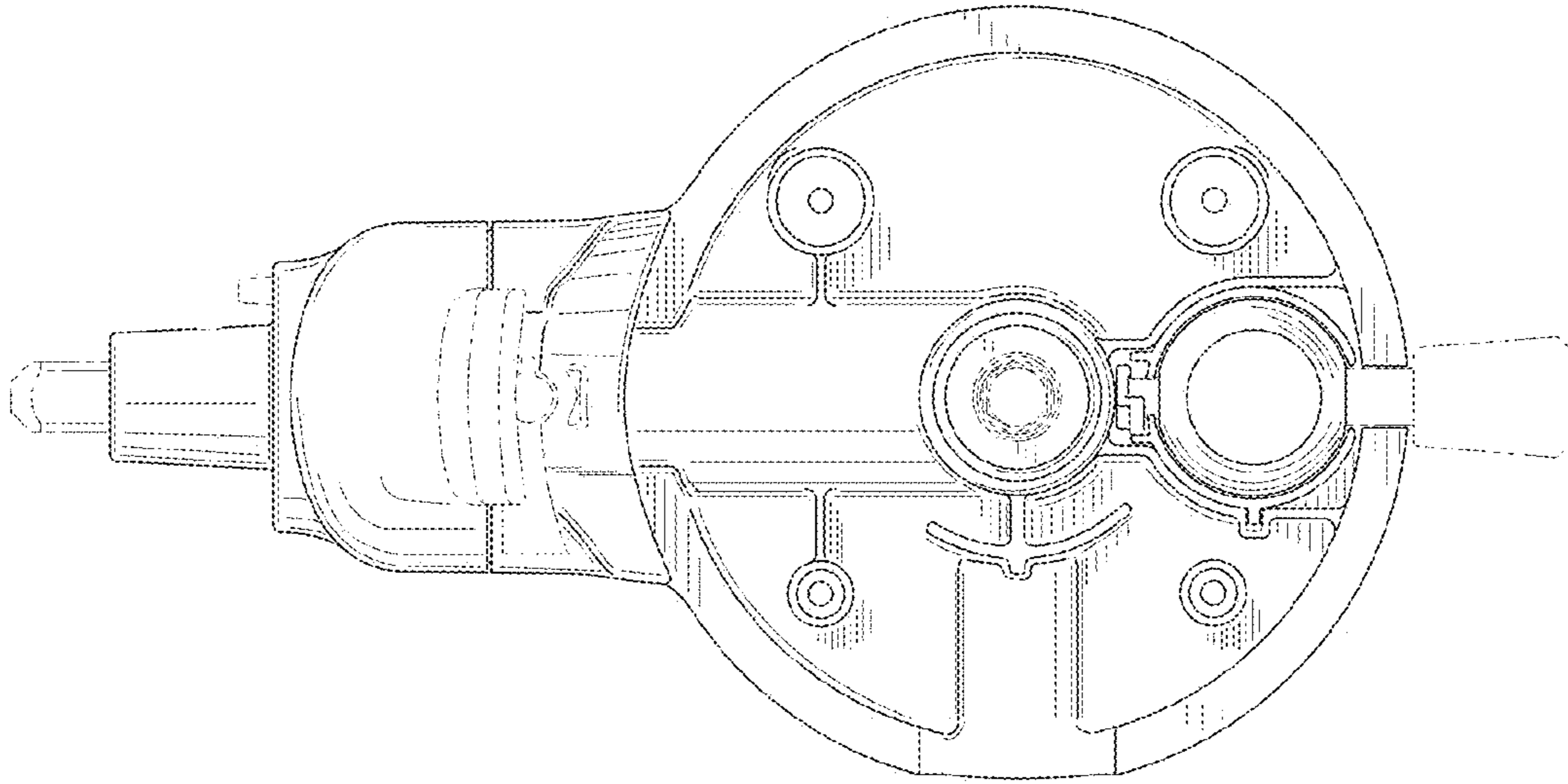


Fig. 6

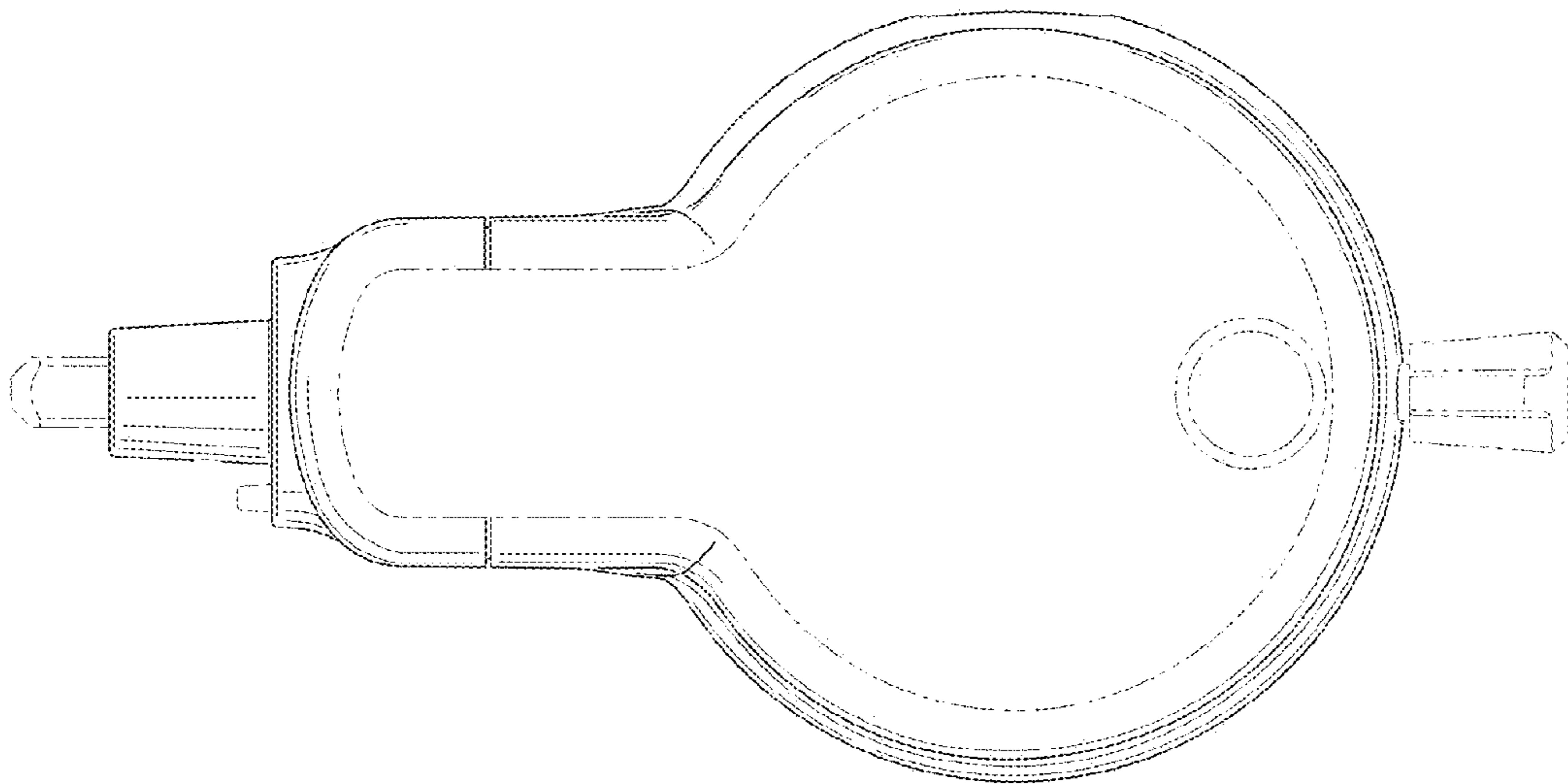


Fig. 7