



US00D734636S

(12) **United States Design Patent**
Tinius et al.

(10) **Patent No.:** **US D734,636 S**
(45) **Date of Patent:** **** Jul. 21, 2015**

(54) **KITCHEN UTENSIL**

(71) Applicants: **Michael Tinius**, Elchingen (DE);
Roland Hegmann, Langerringen (DE);
Wolfgang Holzapfel, München (DE)

(72) Inventors: **Michael Tinius**, Elchingen (DE);
Roland Hegmann, Langerringen (DE);
Wolfgang Holzapfel, München (DE)

(73) Assignee: **RATIONAL**
AKTIENGESELLSCHAFT (DE)

(**) Term: **14 Years**

(21) Appl. No.: **29/466,981**

(22) Filed: **Sep. 13, 2013**

(30) **Foreign Application Priority Data**

May 15, 2015 (EM) 002237842-0001

(51) **LOC (10) Cl.** **07-02**

(52) **U.S. Cl.**
USPC **D7/361; D7/354**

(58) **Field of Classification Search**
USPC D7/323, 354-363, 391, 393-396, 409;
D24/227; 99/324, 331, 336, 339-340,
99/402-403, 423-426, 444-445;
126/373.1, 383.1-384.1, 390.1;
219/438-439, 620-622;
220/573.1-573.5, 752-753, 755-759,
220/912; 222/465.1, 470, 475.1
CPC A47G 19/12; A47J 27/00; A47J 27/002;
A47J 27/08; A47J 27/21; A47J 27/58; A47J
36/025; A47J 36/06; A47J 36/12; A47J 37/00;
A47J 37/0704; A47J 37/10; A47J 37/101;
A47J 37/103; A47J 37/12; A47J 37/1204;
A47J 37/1219; A47J 45/061; A47J 45/071;
A47J 45/08; H05B 6/12

See application file for complete search history.

(56) **References Cited**

U.S. PATENT DOCUMENTS

78 A * 11/1836 Sizer et al. 99/339
1,308,151 A * 7/1919 Vogel 99/422

(Continued)

Primary Examiner — Ricky Pham
(74) *Attorney, Agent, or Firm* — Cantor Colburn LLP

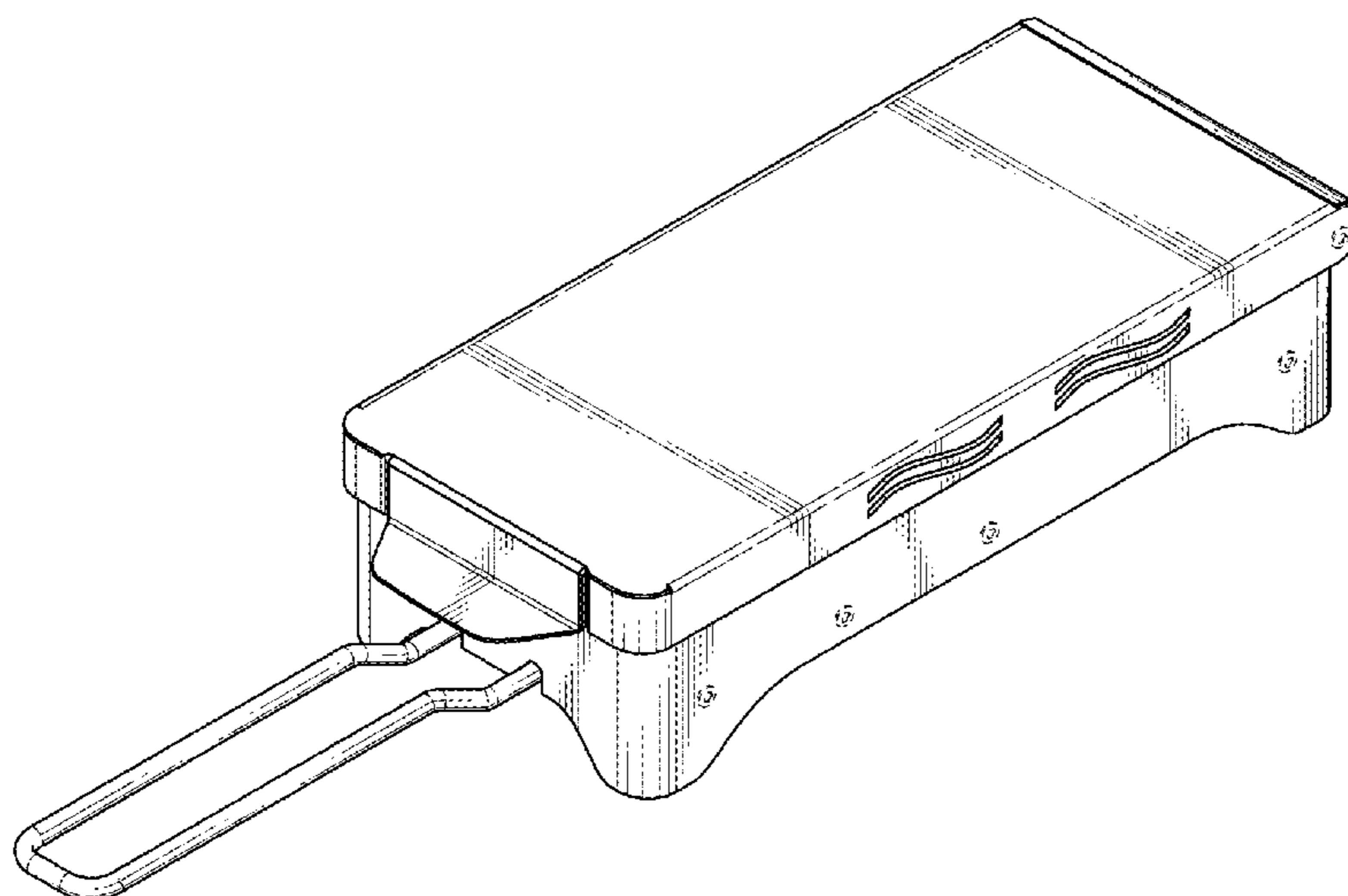
(57) **CLAIM**

We claim, the ornamental design for a kitchen utensil, as shown and described.

DESCRIPTION

FIG. 1 is a top perspective view of a first embodiment of the invention;
FIG. 2 is a left side view of the embodiment of FIG. 1;
FIG. 3 is a right side view of the embodiment of FIG. 1;
FIG. 4 is a front view of the embodiment of FIG. 1;
FIG. 5 is a rear view of the embodiment of FIG. 1;
FIG. 6 is a top view of the embodiment of FIG. 1;
FIG. 7 is a bottom view of the embodiment of FIG. 1;
FIG. 8 is a top perspective view of a second embodiment of the invention;
FIG. 9 is a left side view of the embodiment of FIG. 8;
FIG. 10 is a right side view of the embodiment of FIG. 8;
FIG. 11 is a front view of the embodiment of FIG. 8;
FIG. 12 is a rear view of the embodiment of FIG. 8;
FIG. 13 is a top view of the embodiment of FIG. 8; and,
FIG. 14 is a bottom view of the embodiment of FIG. 8.
The surface treatment of the kitchen utensil forms no part of the claimed design, a kitchen utensil according to the claimed design may have any surface treatment. The color of the kitchen utensil forms no part of the claimed design, a kitchen utensil according to the claimed design may be of any color or combination of colors.
The phantom lines shown in FIGS. are environmental and not part of the claimed design of FIGS. 1-7.

1 Claim, 8 Drawing Sheets



(56)

References Cited

U.S. PATENT DOCUMENTS

1,904,925 A * 4/1933 Perks 99/423
3,412,674 A * 11/1968 Ruth 99/402
3,525,299 A * 8/1970 Gouwens et al. 99/336
D242,947 S * 1/1977 Graham D7/354

D362,155 S * 9/1995 Yee D7/361
D387,177 S * 12/1997 Davis D24/227
D463,203 S * 9/2002 Commodore D7/361
D555,419 S * 11/2007 Reckert et al. D7/361
D657,992 S * 4/2012 Moodie et al. D7/354
D694,058 S * 11/2013 Difante D7/356
D708,890 S * 7/2014 Kim et al. D7/354

* cited by examiner

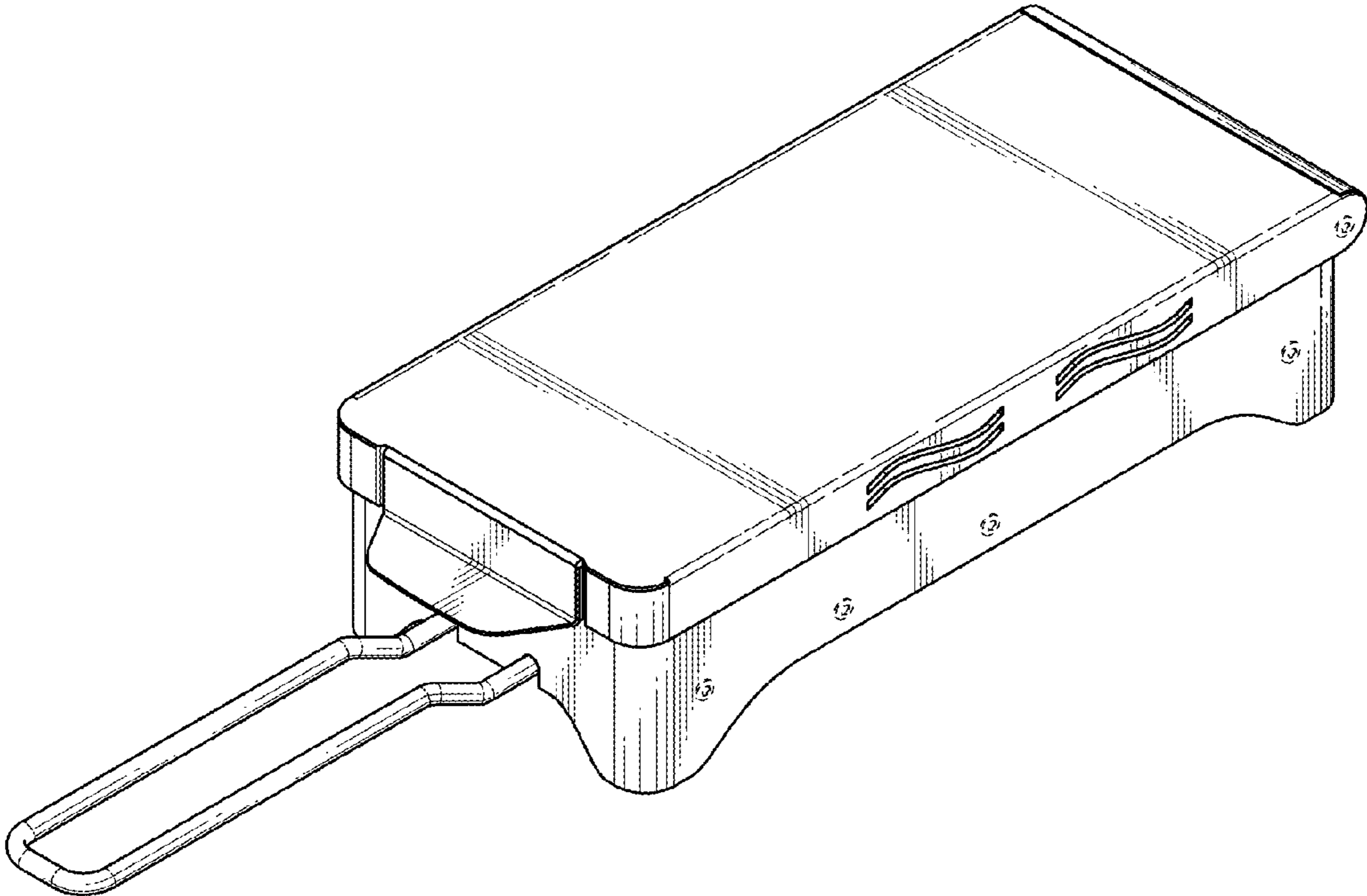


FIG. 1

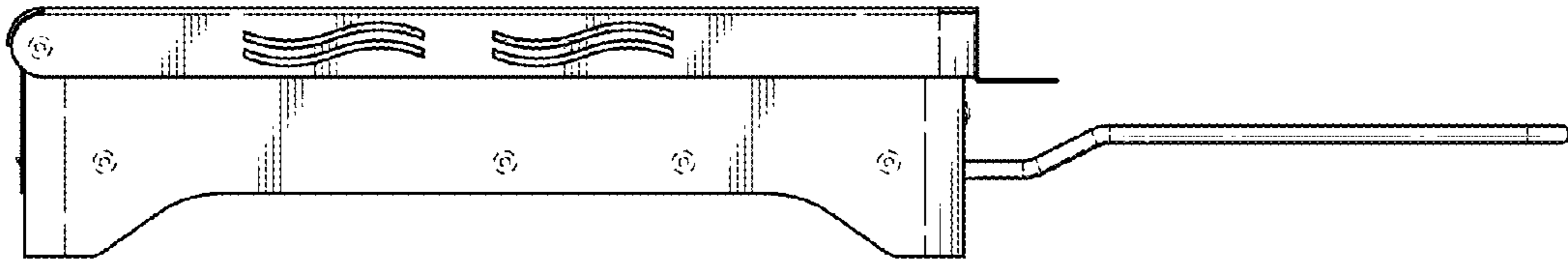


FIG. 2

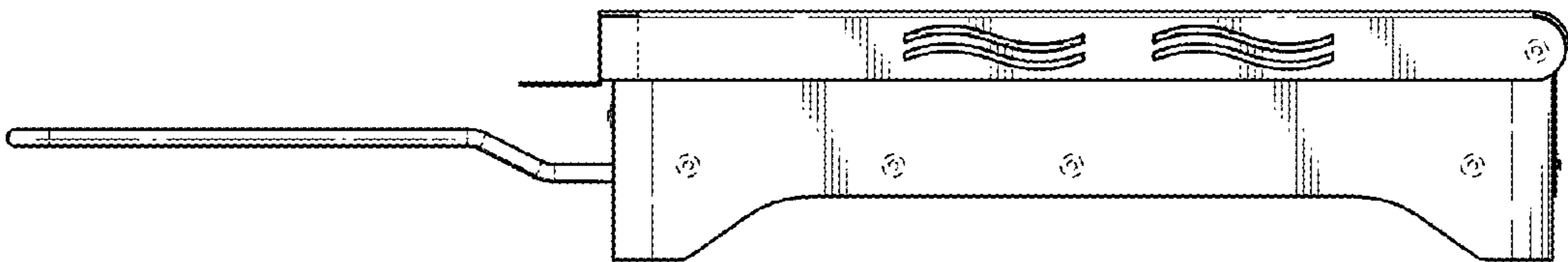


FIG. 3

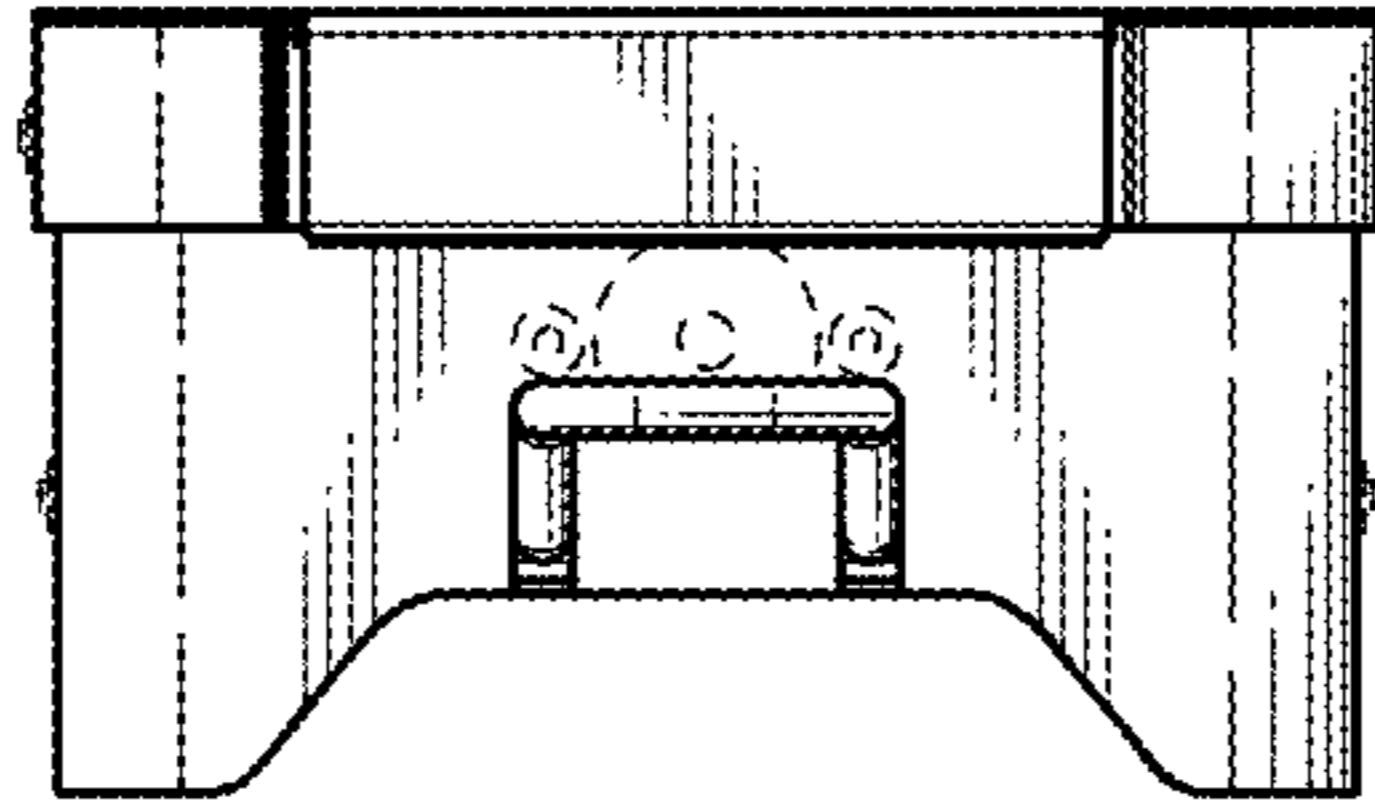


FIG. 4

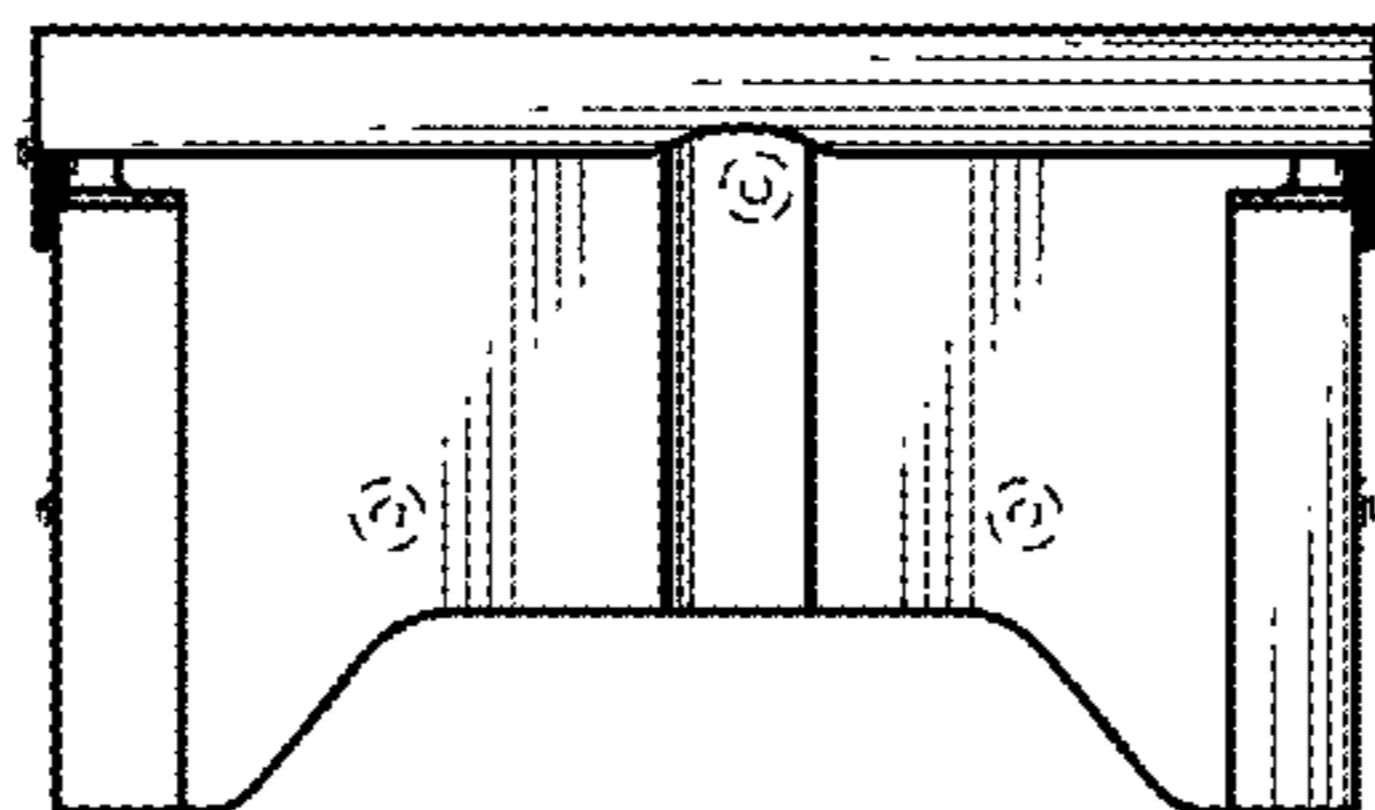


FIG. 5

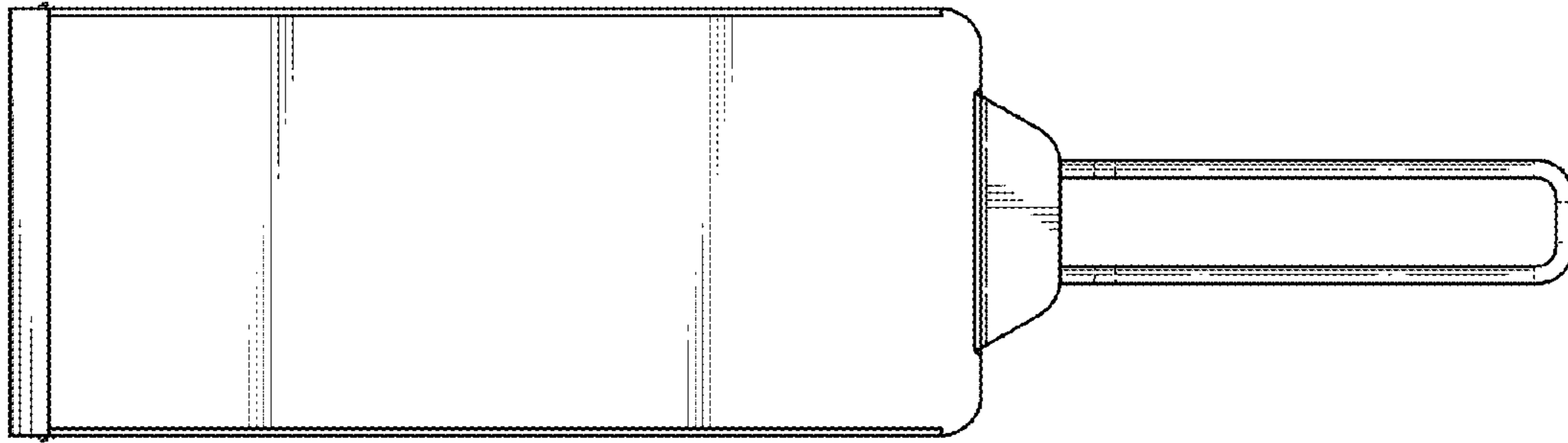


FIG. 6

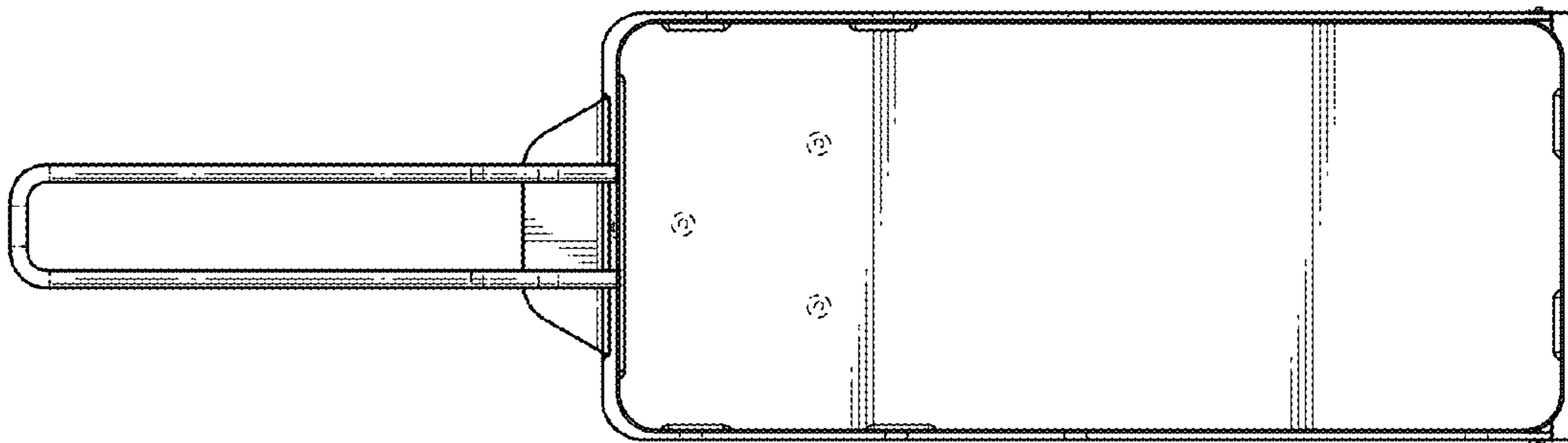


FIG. 7

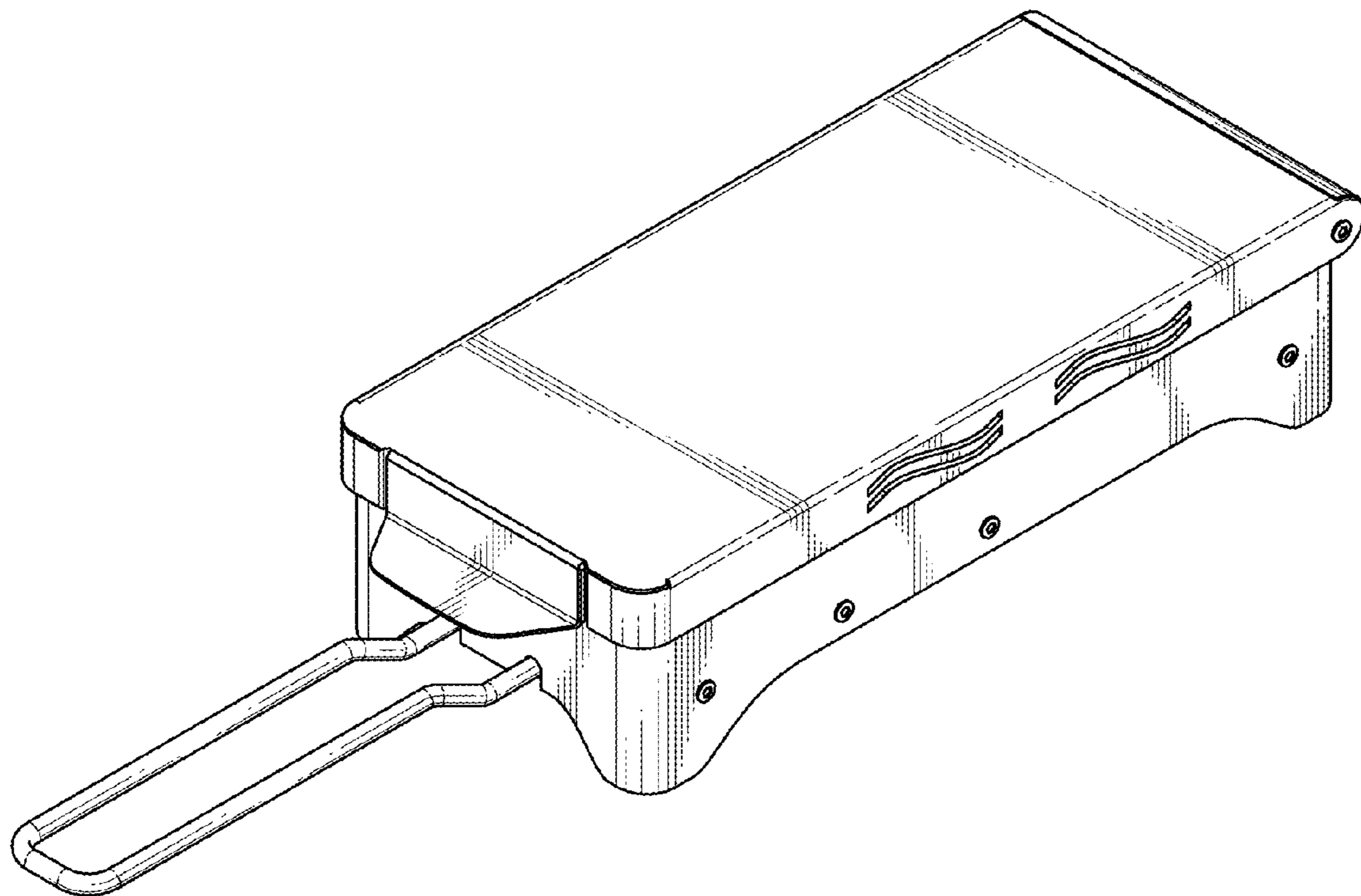


FIG. 8

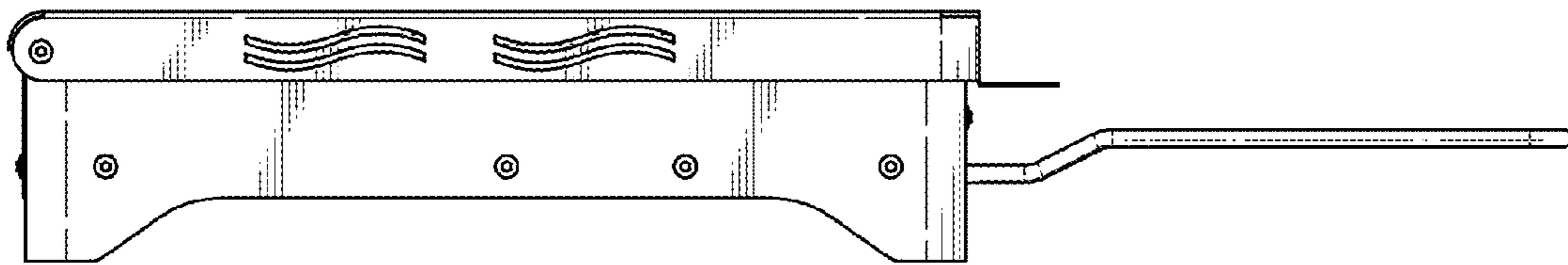


FIG. 9

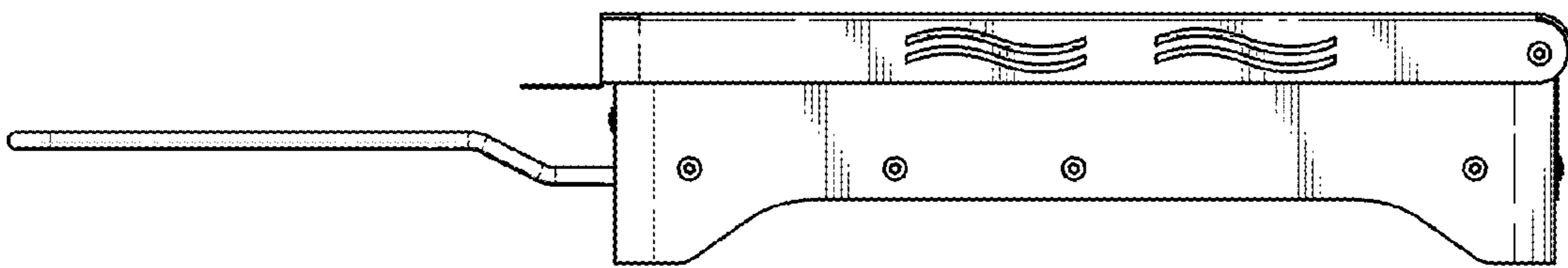


FIG. 10

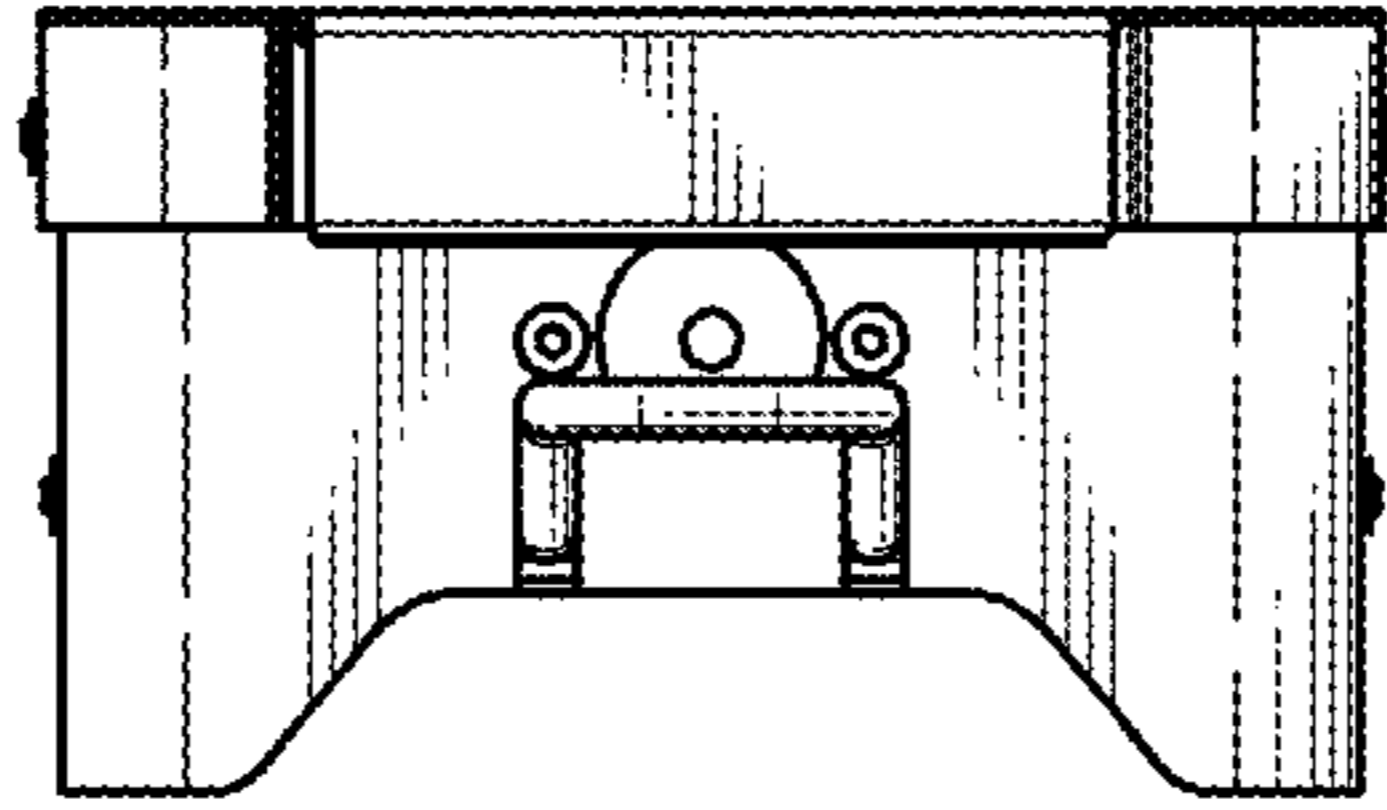


FIG. 11

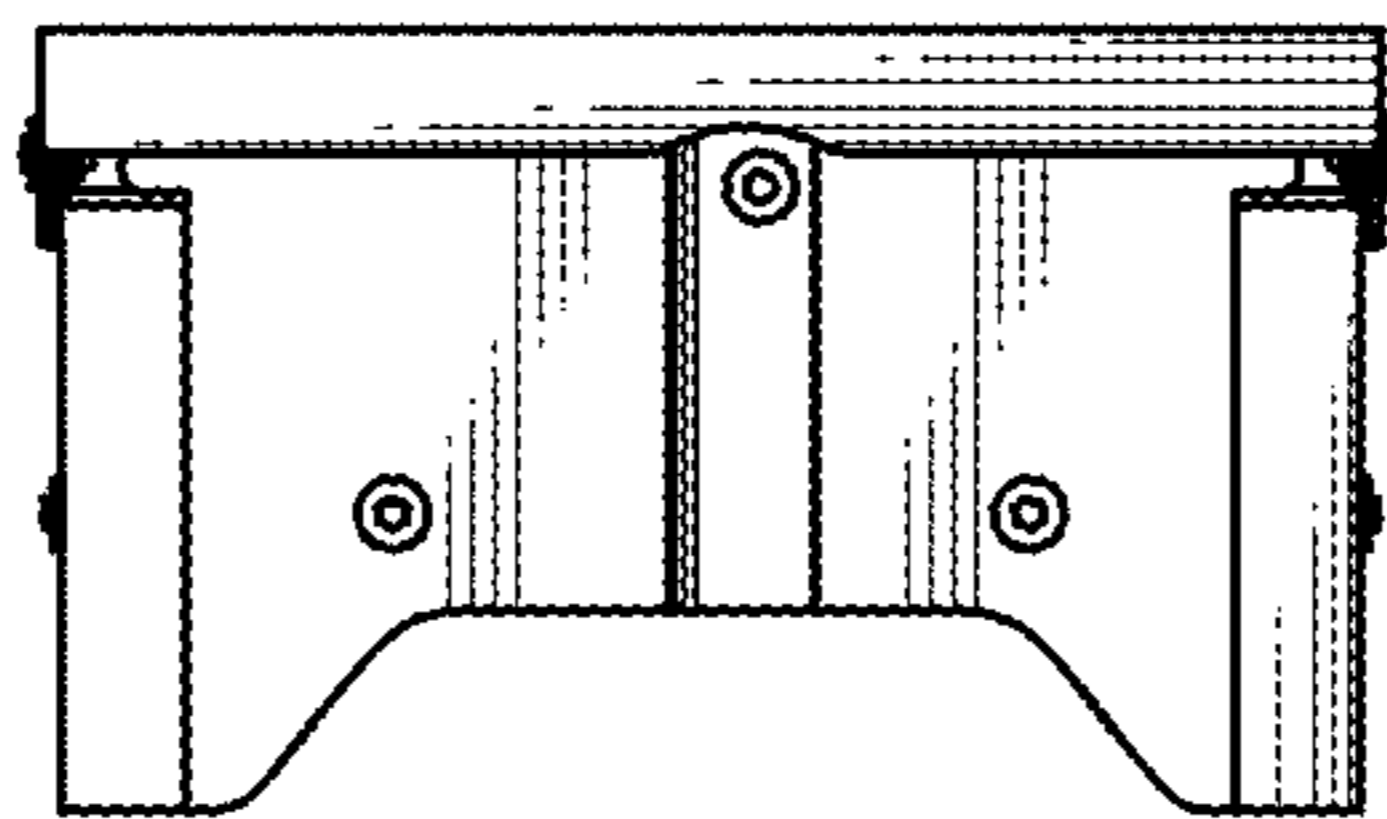


FIG. 12

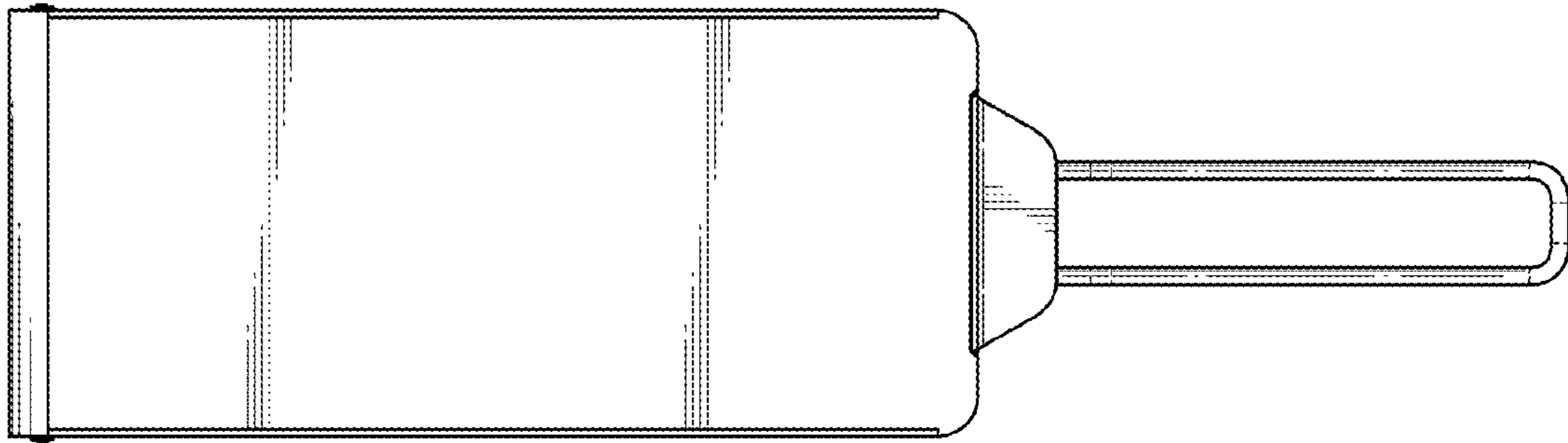


FIG. 13

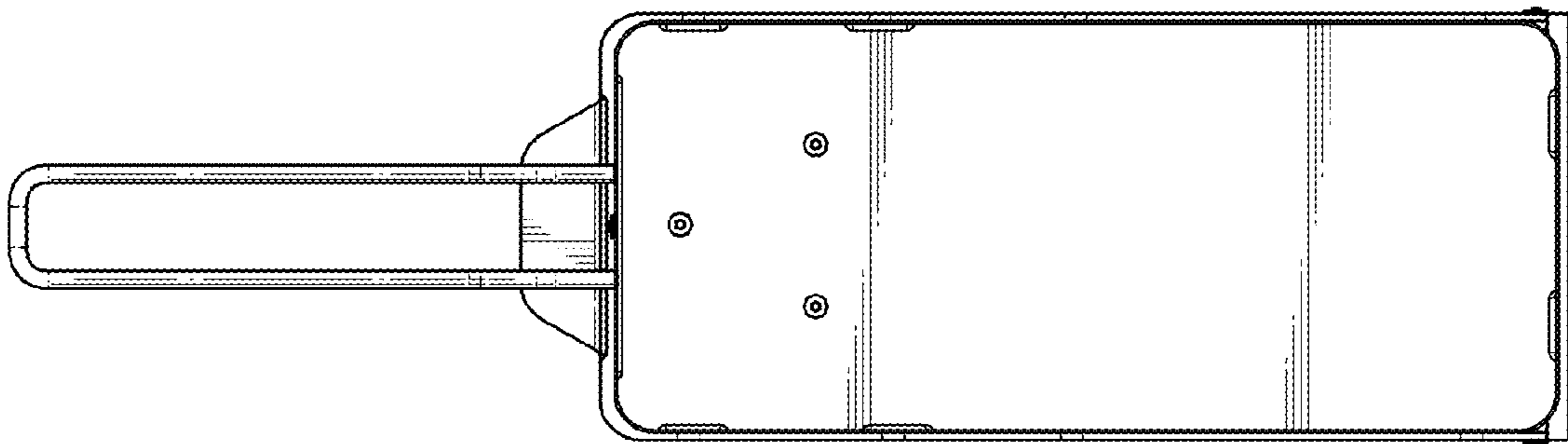


FIG. 14