



US00D734635S

(12) **United States Design Patent**  
**Behar**

(10) **Patent No.:** **US D734,635 S**  
(45) **Date of Patent:** **\*\* Jul. 21, 2015**

(54) **DOMESTIC SODA-WATER PREPARING DEVICE**

(71) Applicant: **SODASTREAM INDUSTRIES LTD,**  
Air Port City (IL)

(72) Inventor: **Yves Behar,** San Francisco, CA (US)

(73) Assignee: **SODASTREAM INDUSTRIES LTD,**  
Air Port (IL)

(\*\*) Term: **14 Years**

(21) Appl. No.: **29/487,006**

(22) Filed: **Apr. 4, 2014**

**Related U.S. Application Data**

(63) Continuation-in-part of application No. 29/429,664,  
filed on Aug. 15, 2012, now Pat. No. Des. 703,476.

(30) **Foreign Application Priority Data**

Feb. 20, 2012 (EM) ..... 001995085-0001  
Mar. 10, 2014 (IL) ..... 55351

(51) **LOC (10) Cl.** ..... **07-01**

(52) **U.S. Cl.**  
USPC ..... **D7/306; D7/311**

(58) **Field of Classification Search**  
USPC ..... D7/306-311, 300, 305; 99/282, 279,  
99/280, 300, 305; 222/146.5, 129.1  
CPC ..... A47J 31/00  
See application file for complete search history.

(56) **References Cited**

**U.S. PATENT DOCUMENTS**

D183,532 S \* 9/1958 McCawley ..... D7/311

D309,395 S \* 7/1990 Thompson et al. .... D7/311  
D332,200 S \* 1/1993 Credle, Jr. .... D7/311  
D375,431 S \* 11/1996 Credle et al. .... D7/311  
6,082,246 A \* 7/2000 Thorn et al. .... 99/284  
D498,111 S \* 11/2004 Lassota et al. .... D7/309  
D556,496 S \* 12/2007 Fung ..... D7/309  
D615,339 S \* 5/2010 Bronwasser ..... D7/306  
D681,385 S \* 5/2013 Ring et al. .... D7/306  
D687,664 S \* 8/2013 Beghelli ..... D7/306

**OTHER PUBLICATIONS**

Office Action Issued for U.S. Appl. No. 29/429,664, Mailed Aug. 26, 2013.

\* cited by examiner

*Primary Examiner* — Marianne Pandozzi

(74) *Attorney, Agent, or Firm* — Pearl Cohen Zedek Latzer Baratz LLP

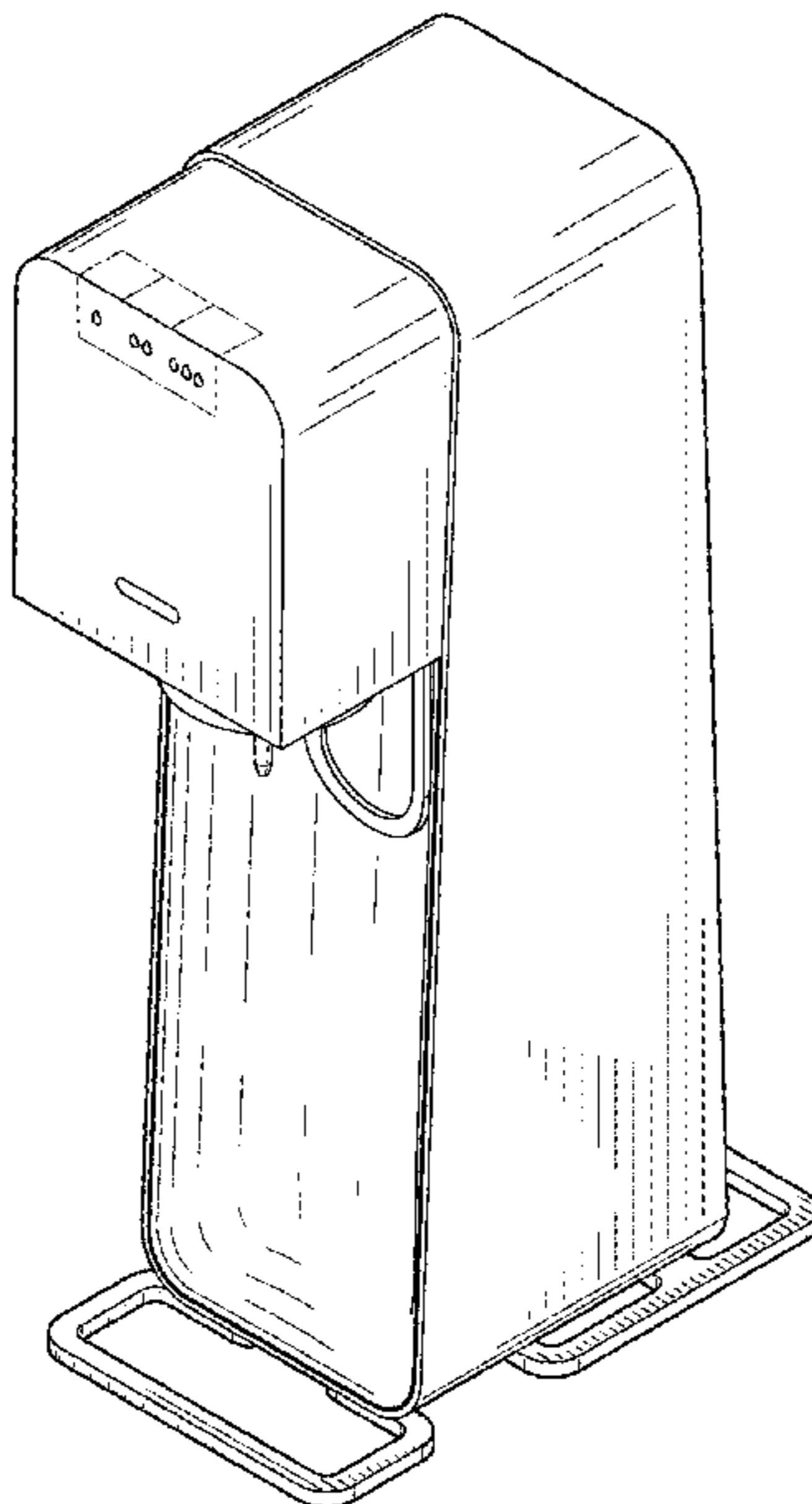
(57) **CLAIM**

The ornamental design for a domestic soda-water preparing device, as shown and described.

**DESCRIPTION**

FIG. 1 is a front elevational view of the domestic soda-water preparing device;  
FIG. 2 is a left side elevational view thereof;  
FIG. 3 is a top plan view thereof;  
FIG. 4 is an enlarged bottom plan view thereof;  
FIG. 5 is a back elevational view thereof;  
FIG. 6 is a right side elevational view thereof;  
FIG. 7 is a top, back, left side, perspective view thereof; and,  
FIG. 8 is a top, front, right side, perspective view thereof.  
The portions shown in broken line form no part of the claimed subject matter.

**1 Claim, 8 Drawing Sheets**



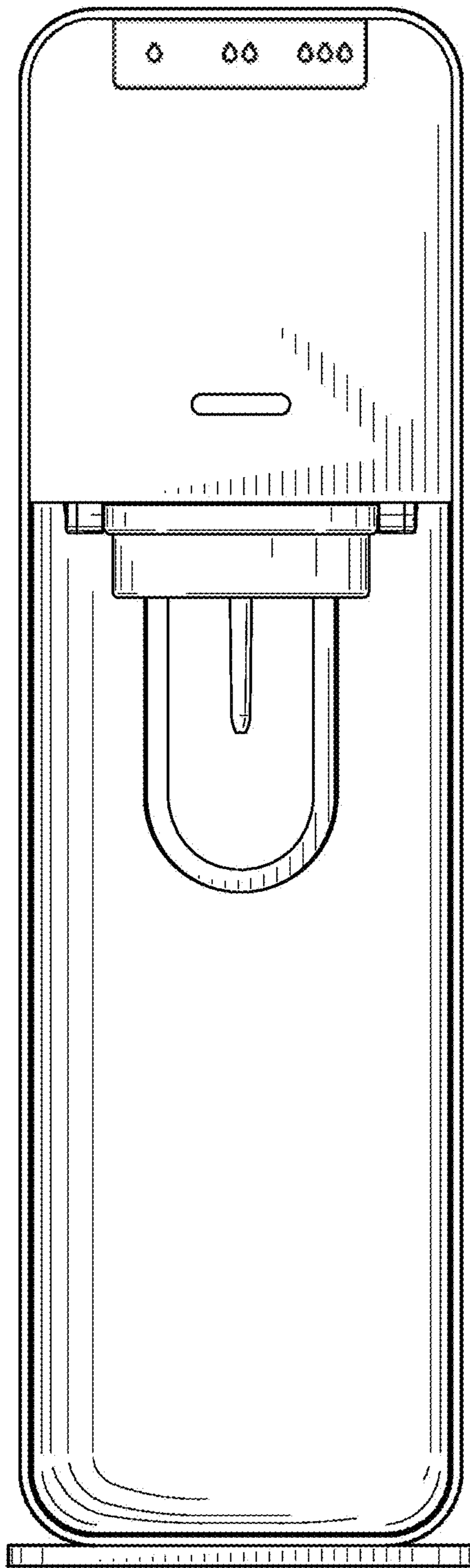


FIG.1

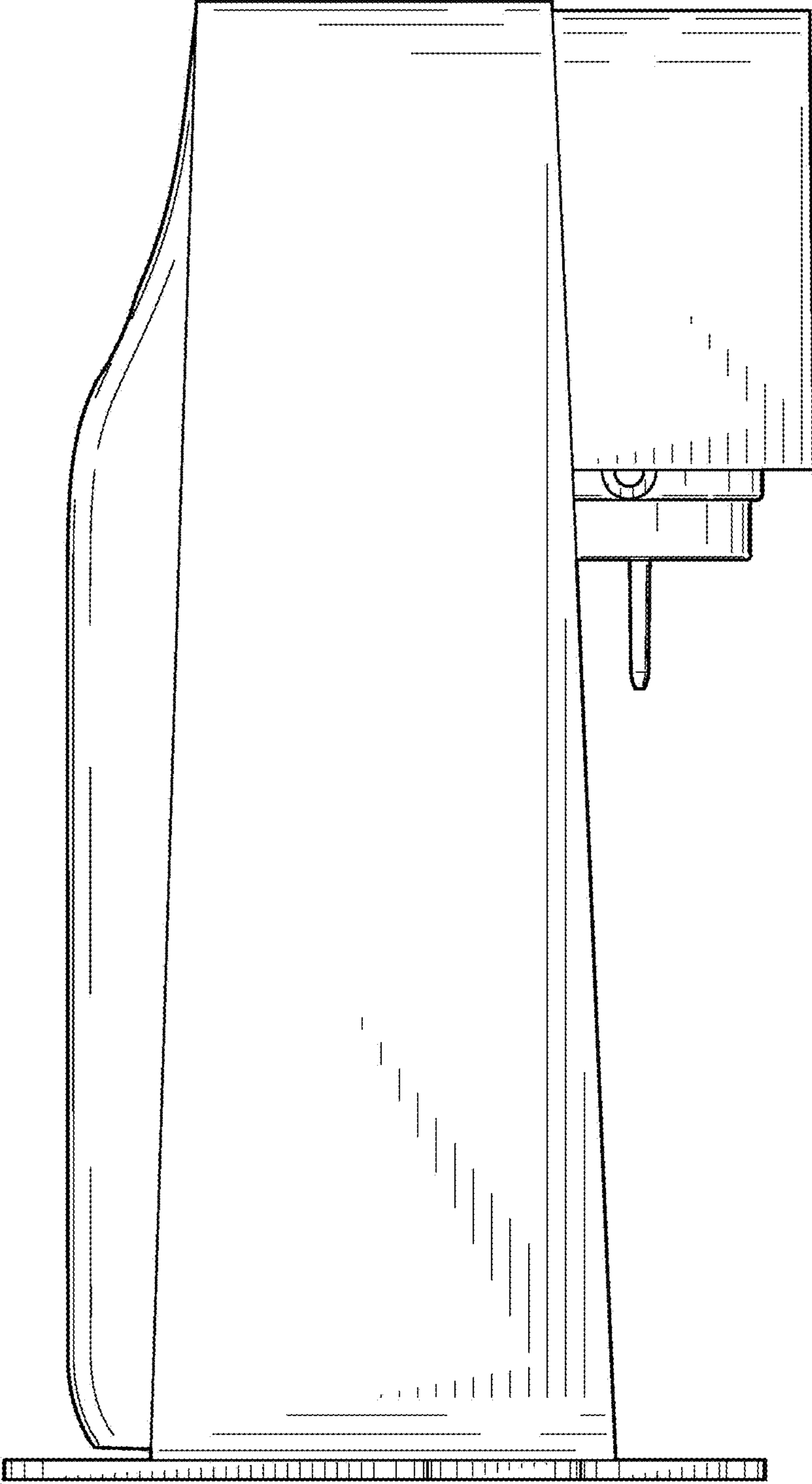


FIG. 2

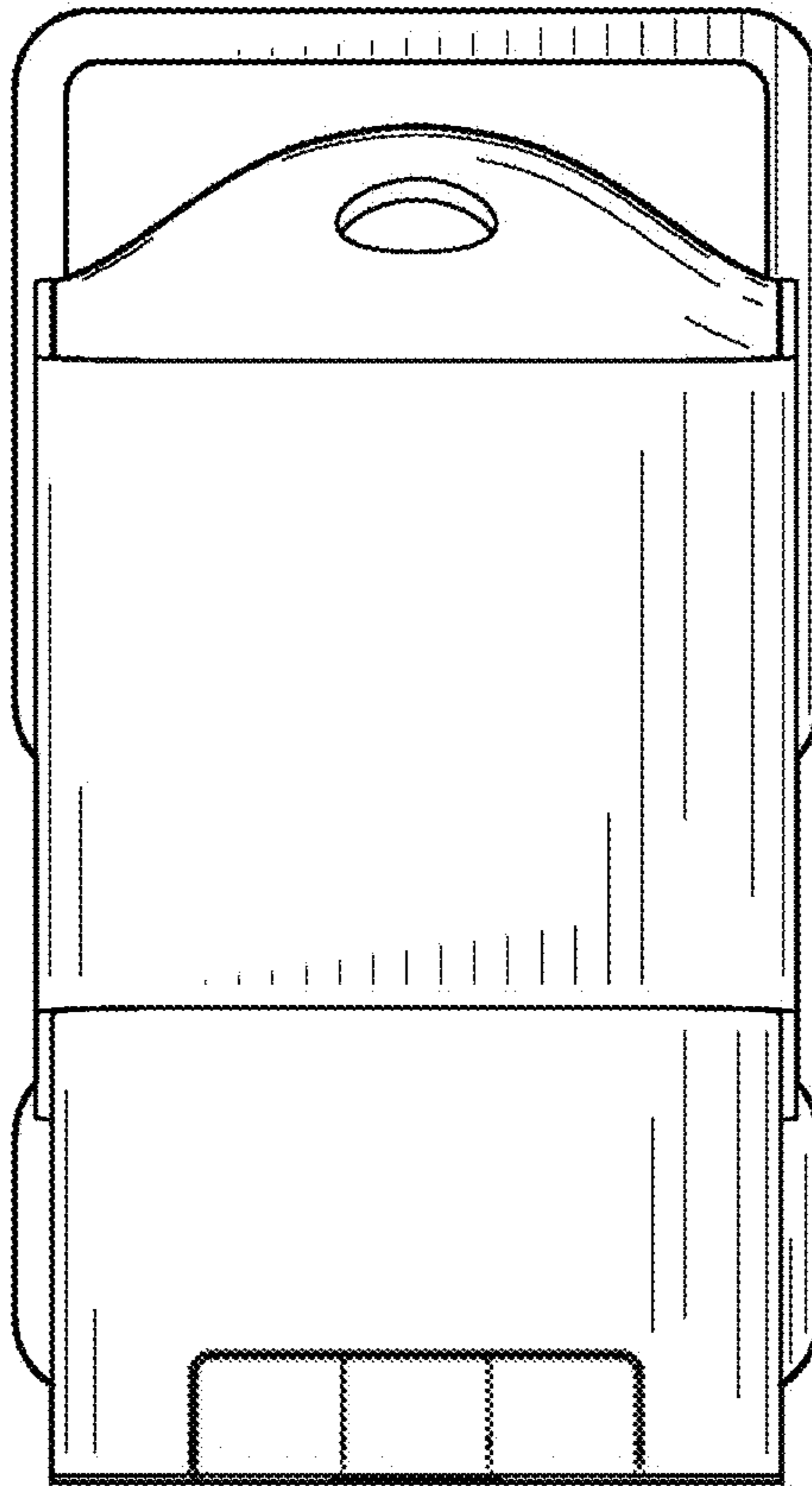


FIG.3

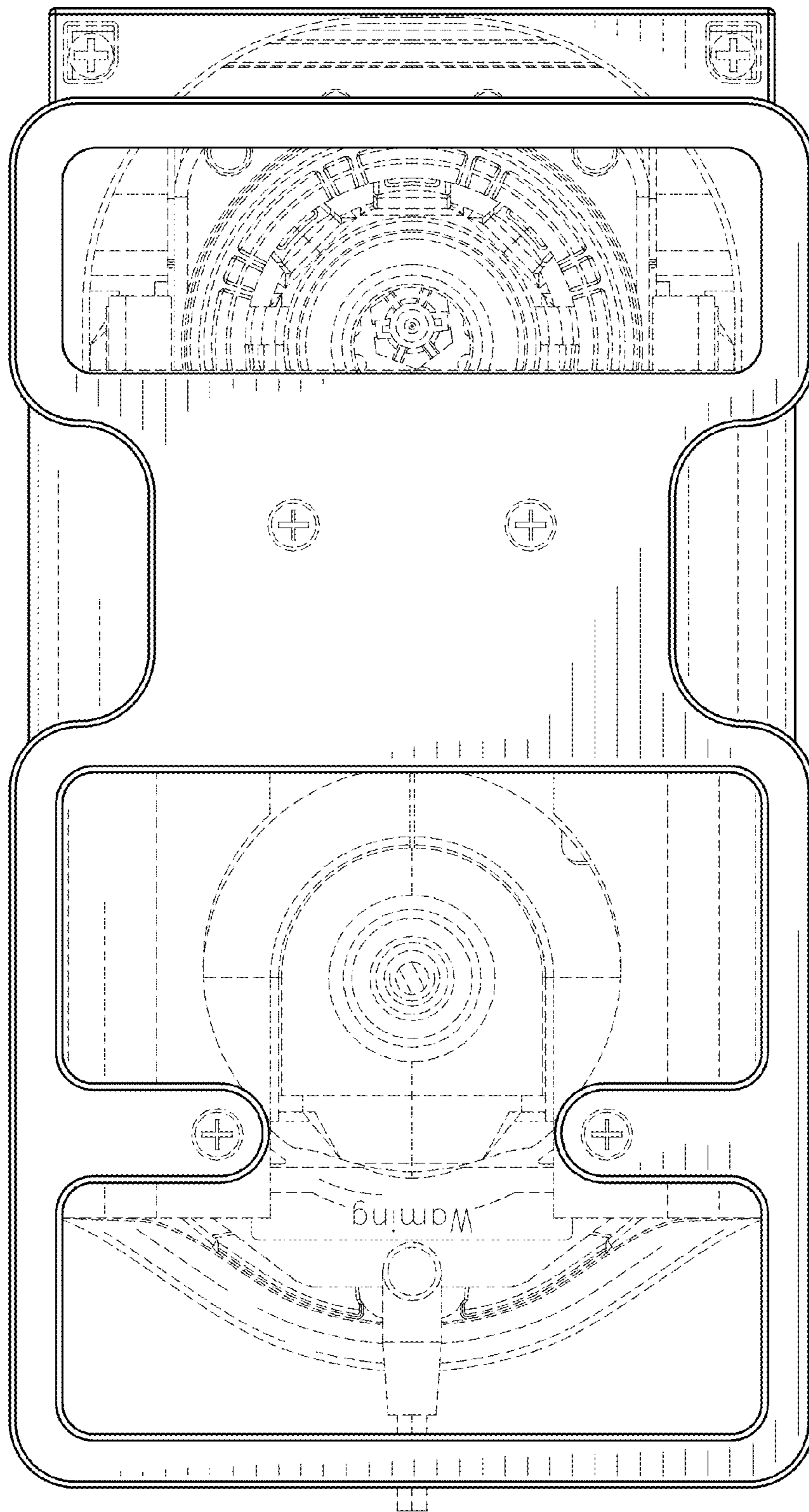


FIG.4



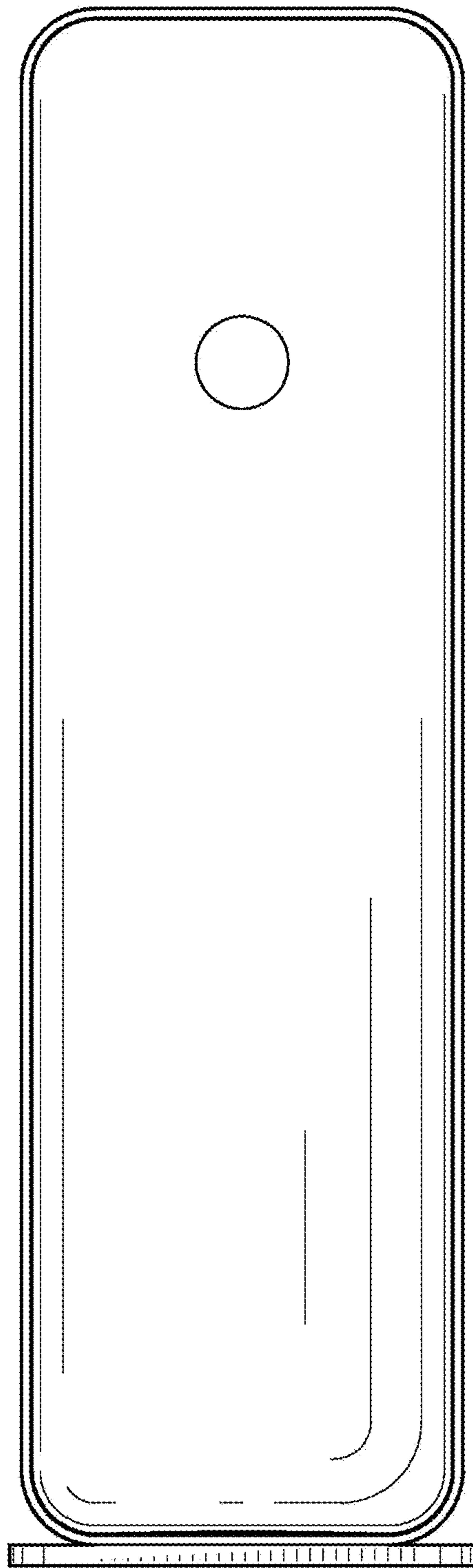


FIG. 5

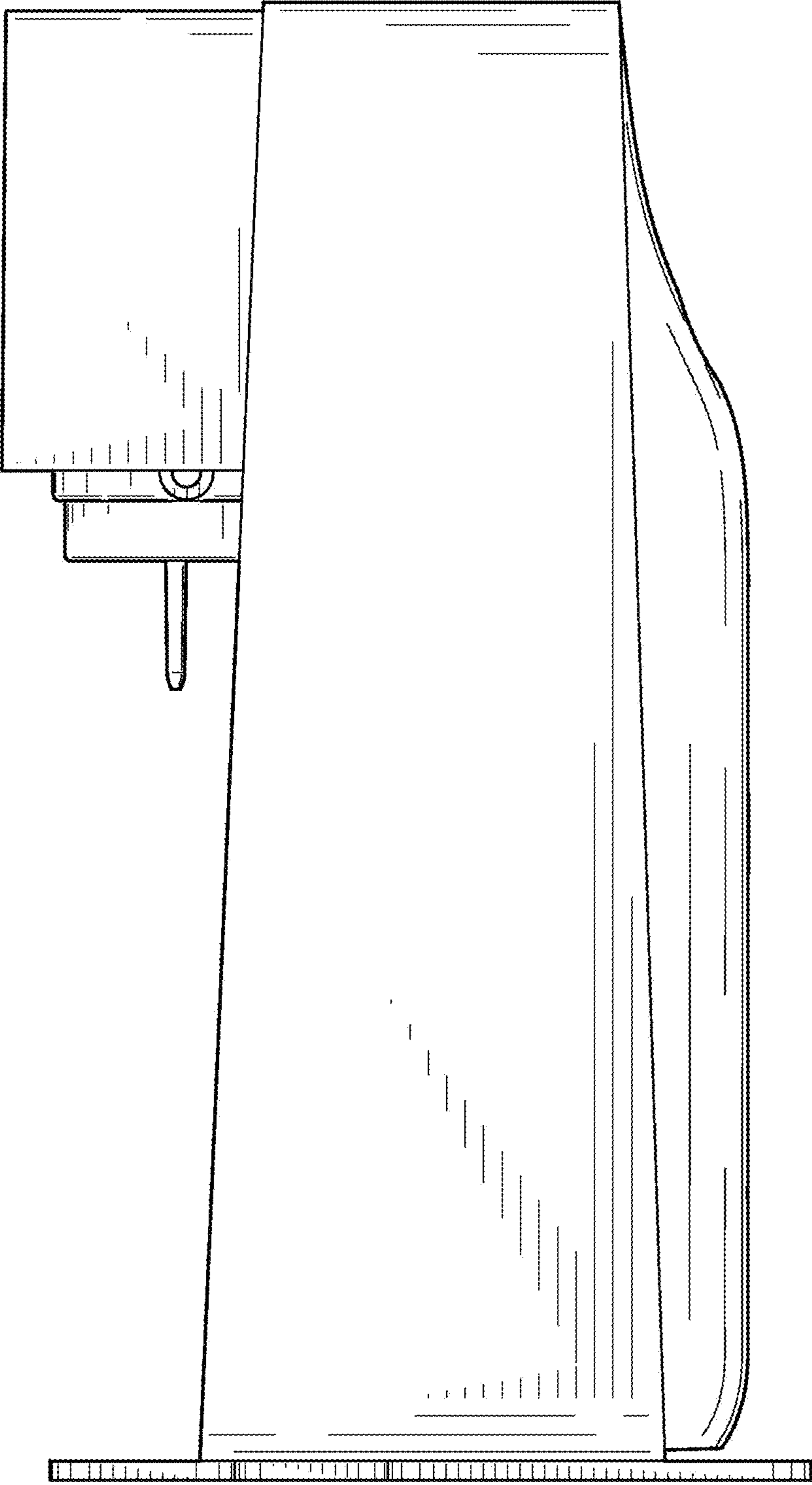


FIG.6

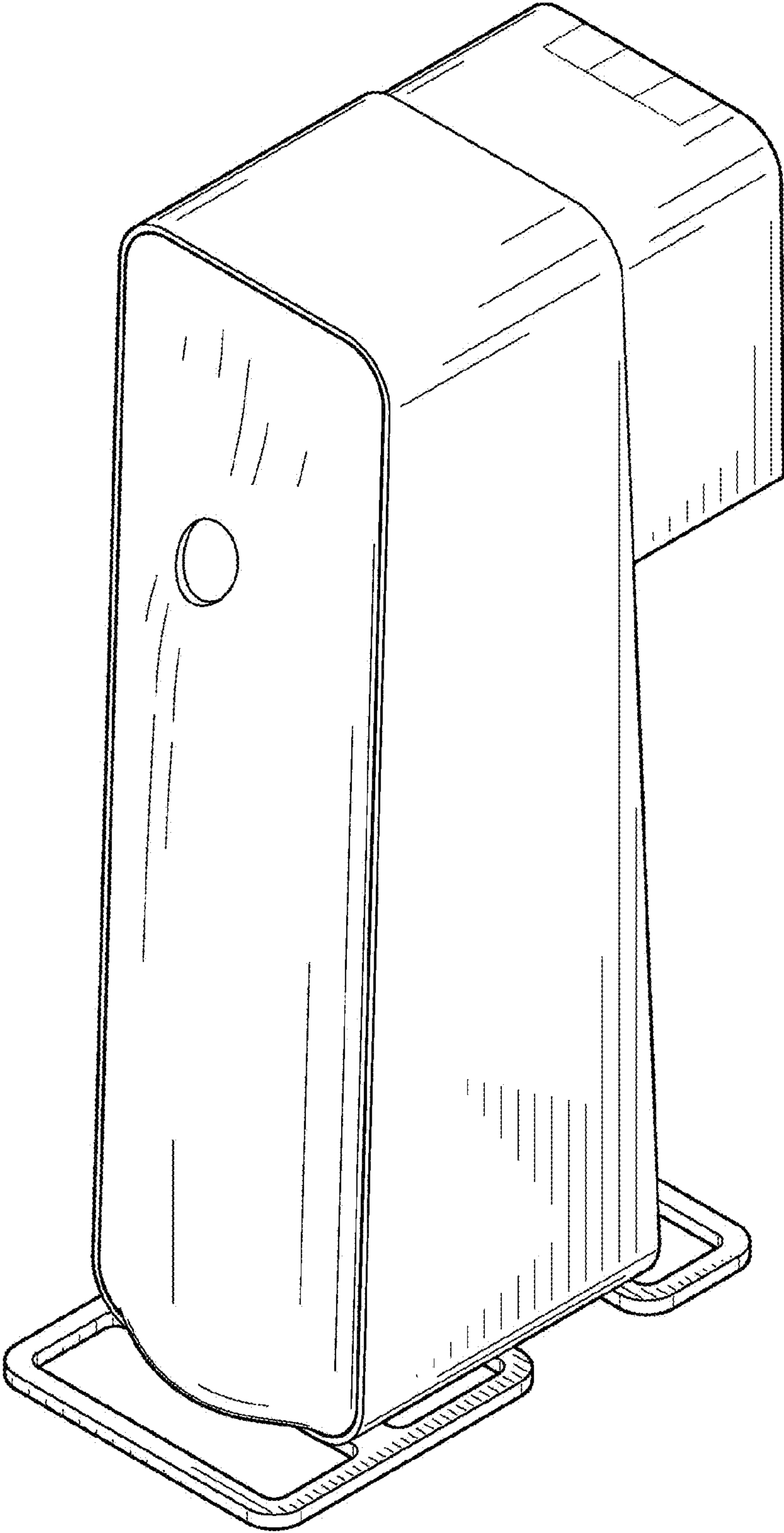


FIG. 7



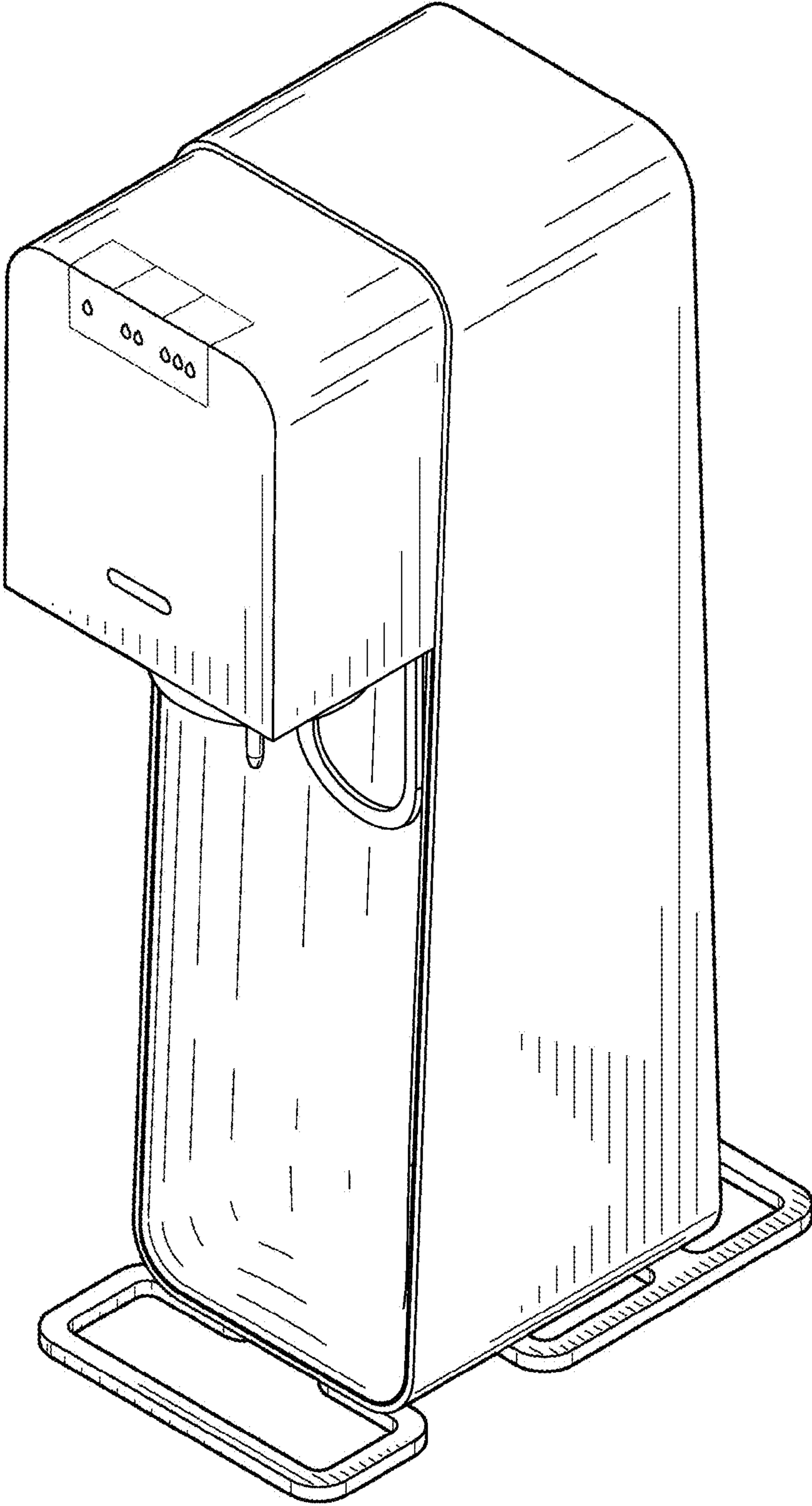


FIG. 8