



US00D734634S

(12) **United States Design Patent**
Moran, Sr.

(10) **Patent No.:** **US D734,634 S**
(45) **Date of Patent:** **** Jul. 21, 2015**

(54) **DISPENSER**

6,105,809 A * 8/2000 Yamanaka 220/326
D431,410 S * 10/2000 Huang D7/313
D466,357 S * 12/2002 Bornancini D7/320

(71) Applicant: **Megatrade International, Inc.**,
Nashville, TN (US)

(Continued)

(72) Inventor: **Jorge Eugenio Moran, Sr.**, Nashville,
TN (US)

FOREIGN PATENT DOCUMENTS

(73) Assignee: **Megatrade International, Inc.**,
Nashville, TN (US)

EP 2218378 A2 8/2010
WO 2012/093157 A1 7/2012

(**) Term: **14 Years**

Primary Examiner — Marianne Pandozzi

(21) Appl. No.: **29/484,886**

(74) *Attorney, Agent, or Firm* — LeClairRyan, a
Professional Corporation

(22) Filed: **Mar. 13, 2014**

(57) **CLAIM**

The ornamental design for a dispenser, as shown and
described.

(51) **LOC (10) Cl.** **07-01**

DESCRIPTION

(52) **U.S. Cl.**

USPC **D7/306**; D7/320; D7/608

(58) **Field of Classification Search**

USPC D7/306–311, 305, 300, 313, 605, 608,
D7/320, 312, 321; 99/279, 284, 290, 280,
99/299, 307, 285, 305, 323.1, 312;
222/23, 129.1, 209; 62/395; D20/1;
D23/209; D6/543

CPC A47J 31/44; A47J 31/00; B67D 1/0041;
B67D 3/00

See application file for complete search history.

FIG. 1 is a front view of a dispenser with its cup support in a
first position.

FIG. 2 is a right side view of the dispenser shown in FIG. 1.

FIG. 3 is a rear view of the dispenser shown in FIG. 1.

FIG. 4 is a left side view of the dispenser shown in FIG. 1.

FIG. 5 is a top view of the dispenser shown in FIG. 1.

FIG. 6 is a bottom view of the dispenser shown in FIG. 1.

FIG. 7 is a front right perspective view of the dispenser shown
in FIG. 1.

FIG. 8 is a front view of the dispenser with its cup support in
a second position.

FIG. 9 is a right side view of the dispenser shown in FIG. 8.

FIG. 10 is a rear view of the dispenser shown in FIG. 8.

FIG. 11 is a left side view of the dispenser shown in FIG. 8.

FIG. 12 is a top view of the dispenser shown in FIG. 8.

FIG. 13 is a bottom view of the dispenser shown in FIG. 8;
and,

FIG. 14 is a front right perspective view of the dispenser
shown in FIG. 8.

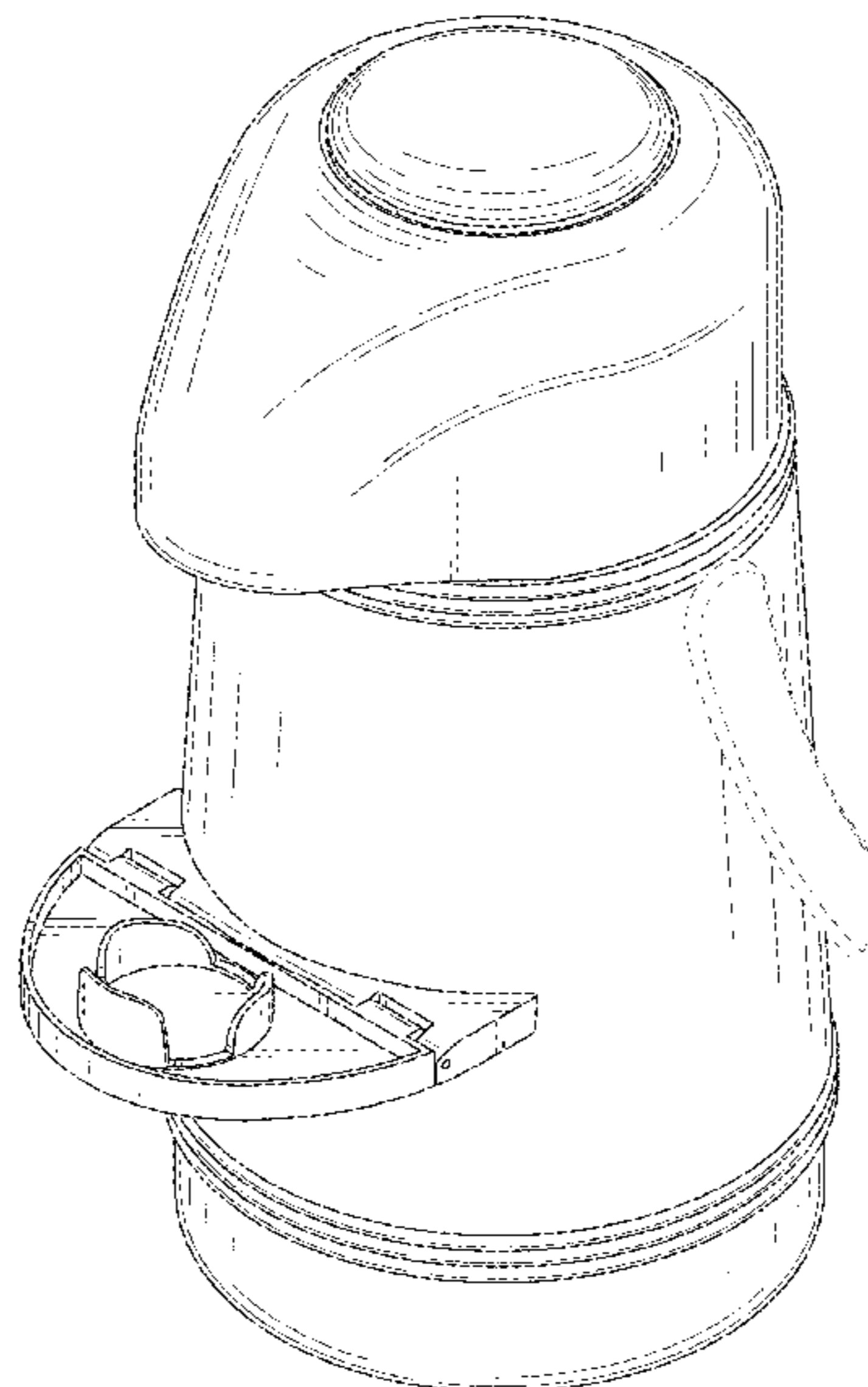
The broken lines in the drawings are included for the purpose
of illustration and form no part of the claimed design.

(56) **References Cited**

U.S. PATENT DOCUMENTS

4,189,061 A * 2/1980 Yu 220/326
4,359,174 A * 11/1982 Ikunosuke et al. 222/131
4,811,872 A 3/1989 Boyd
D338,366 S * 8/1993 Ueda et al. D7/312
D394,778 S * 6/1998 Arns et al. D7/313
D428,463 S * 7/2000 Jones D21/795

1 Claim, 14 Drawing Sheets



(56)

References Cited

U.S. PATENT DOCUMENTS

D484,355 S * 12/2003 De Gooijer D7/313
D522,794 S * 6/2006 Imai D7/313
7,163,125 B2 * 1/2007 Murakami et al. 222/51
D541,572 S * 5/2007 Watanabe D7/313
D553,417 S * 10/2007 Schreitmueller D7/312

D555,970 S * 11/2007 Schreitmueller et al. D7/312
D586,169 S * 2/2009 Kennedy et al. D7/306
D599,606 S * 9/2009 Wakita et al. D7/306
7,806,299 B2 10/2010 Wauters et al.
8,544,692 B2 10/2013 Rusch et al.
D702,505 S * 4/2014 Nakatani D7/605
2005/0274735 A1 12/2005 Patel et al.
2012/0052171 A1 3/2012 Starr et al.

* cited by examiner

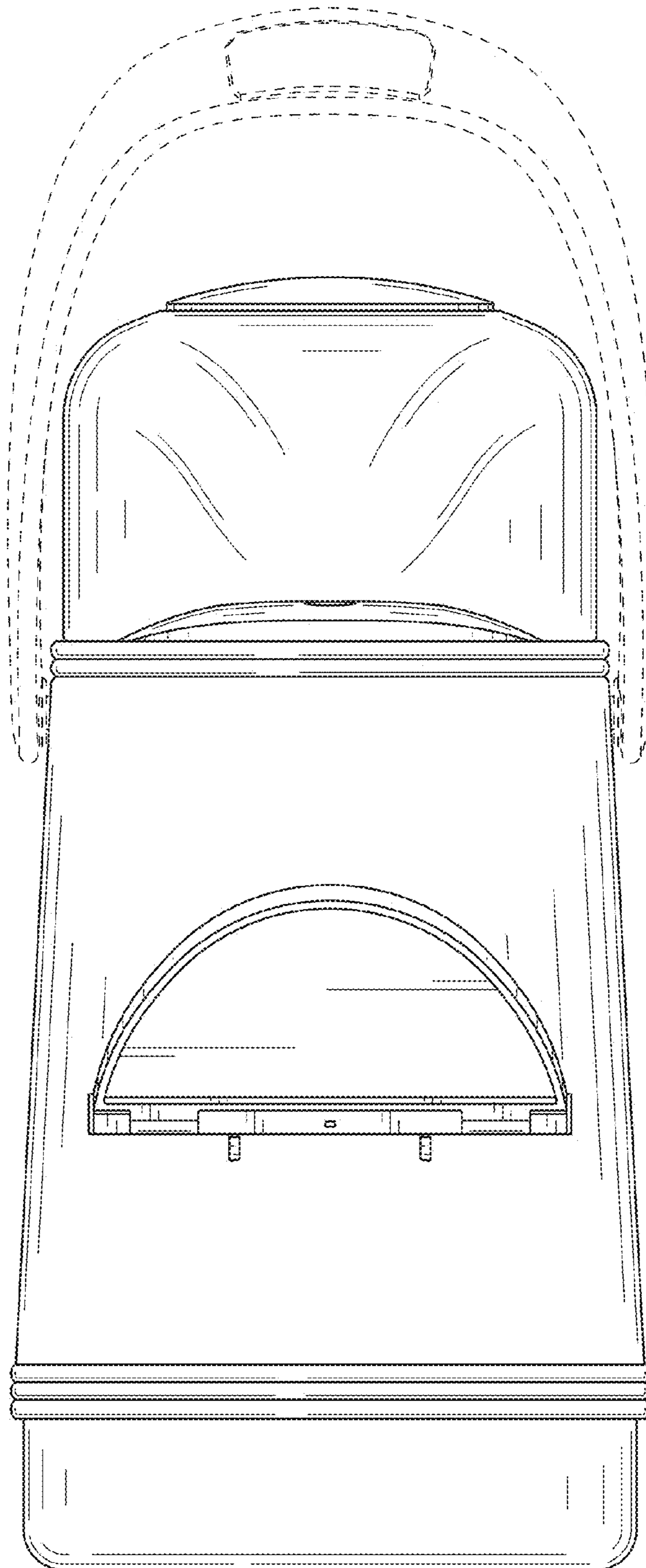


FIG. 1

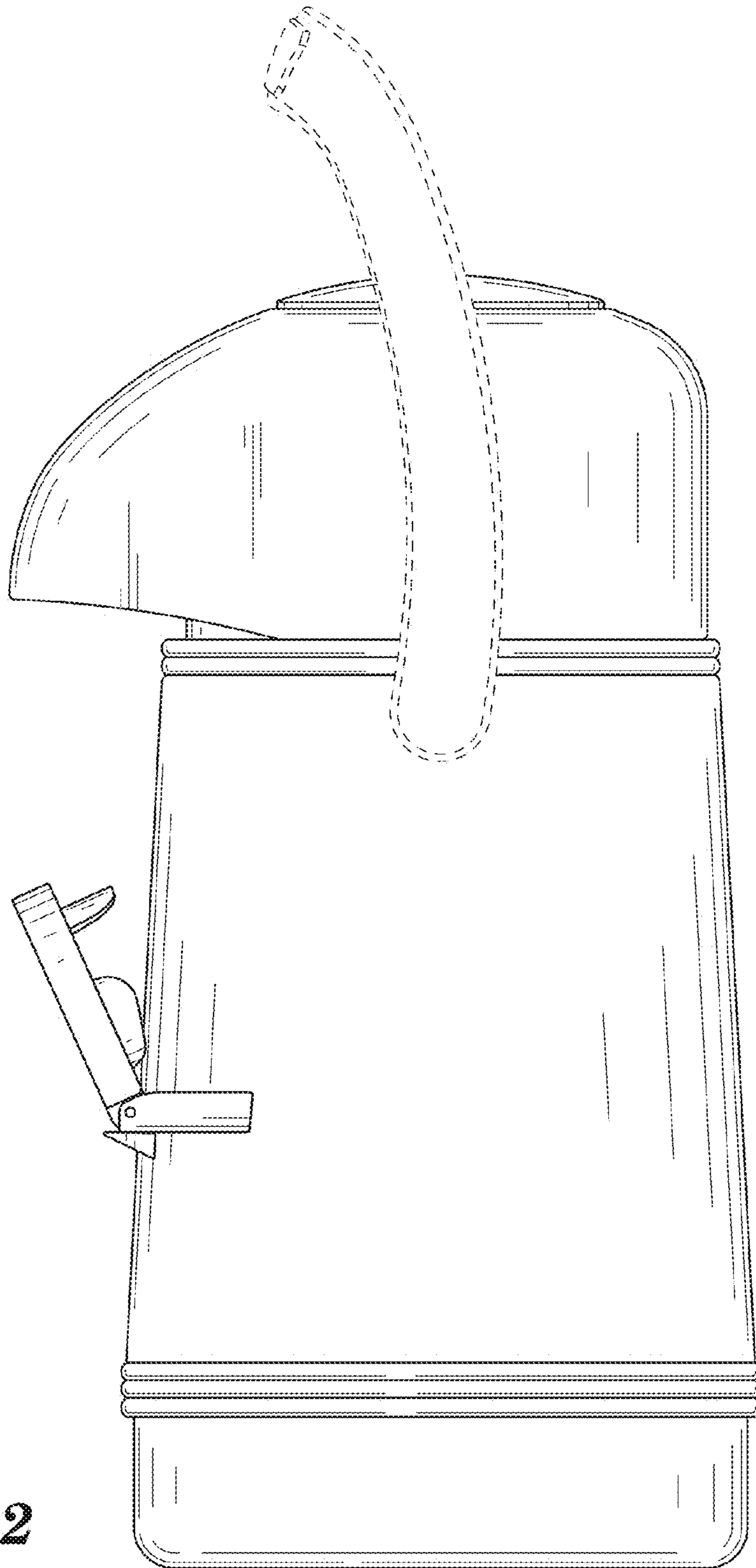


FIG. 2

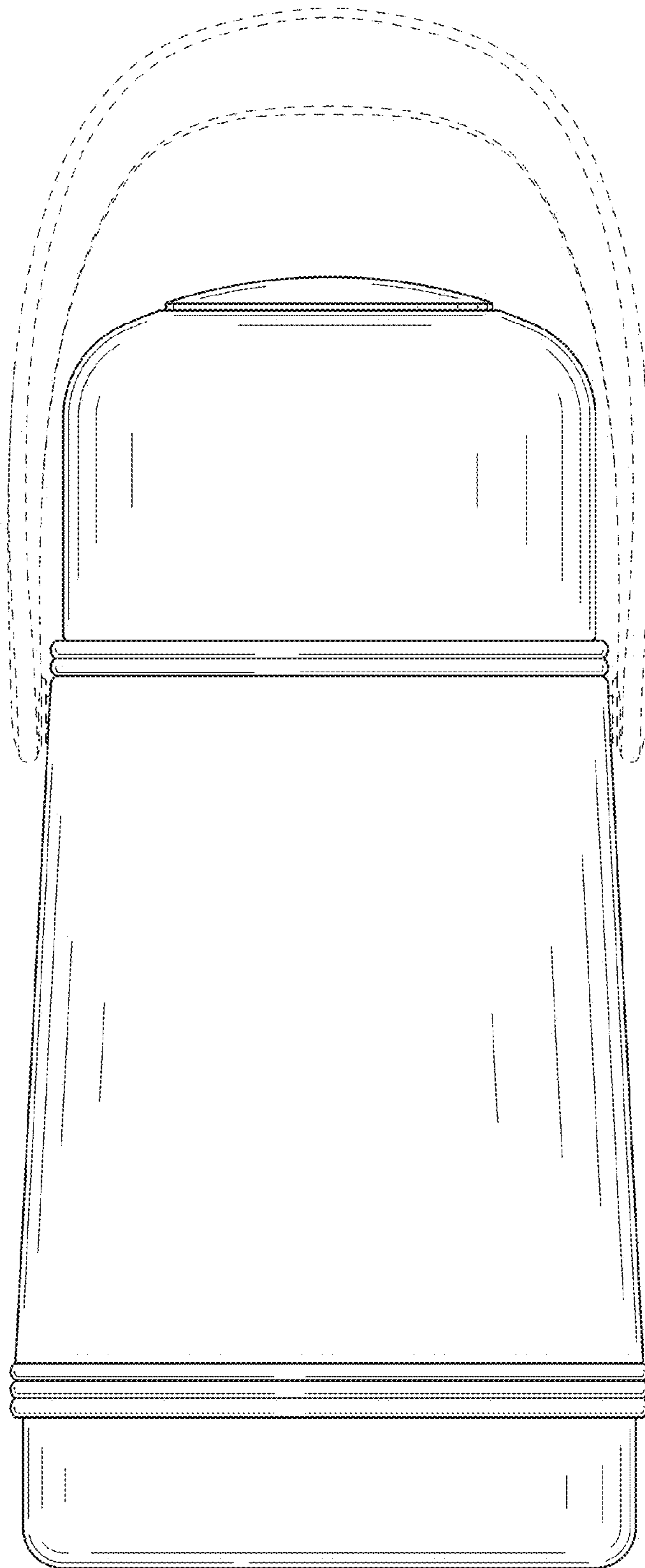


FIG. 3

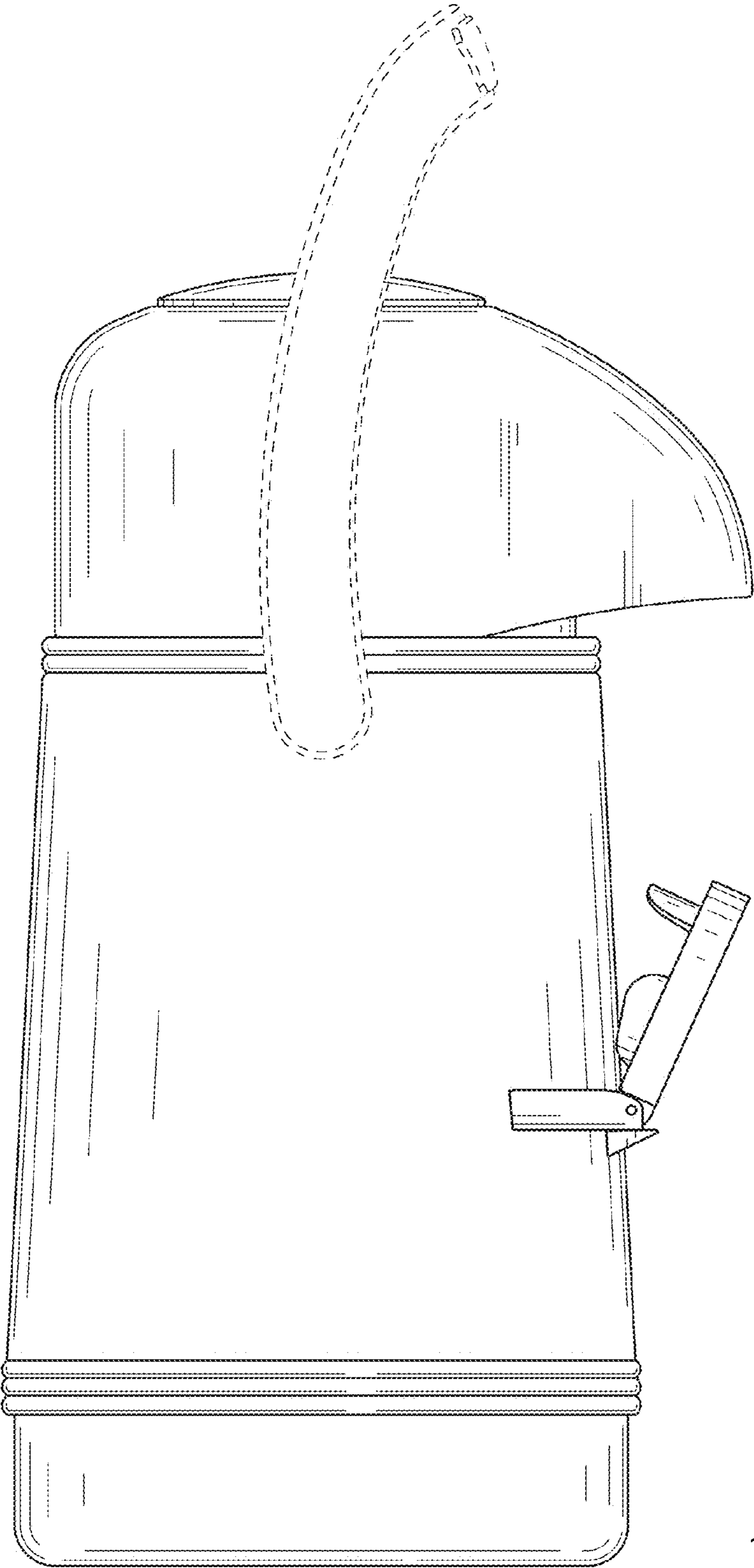


FIG. 4

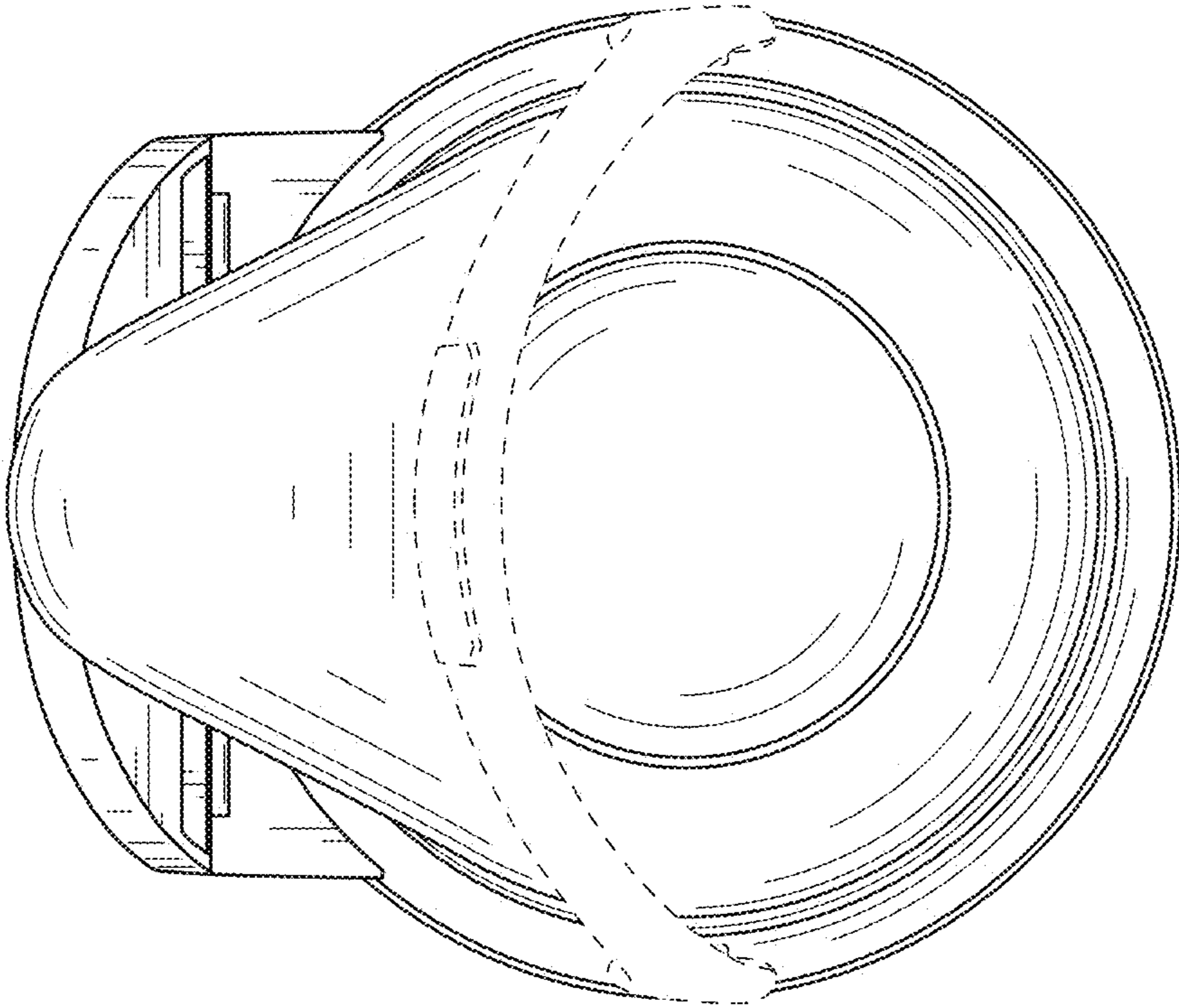


FIG. 5

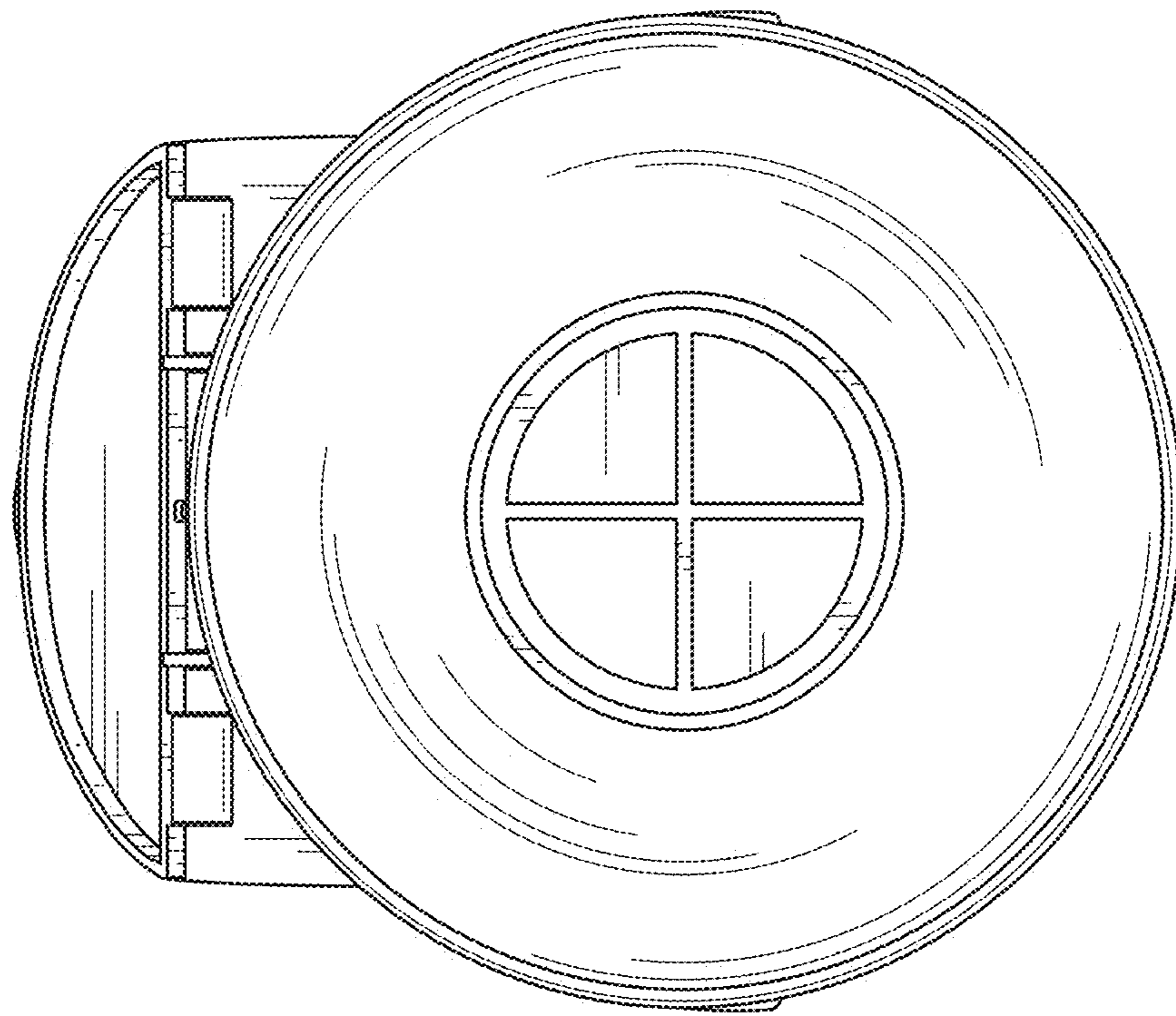


FIG. 6

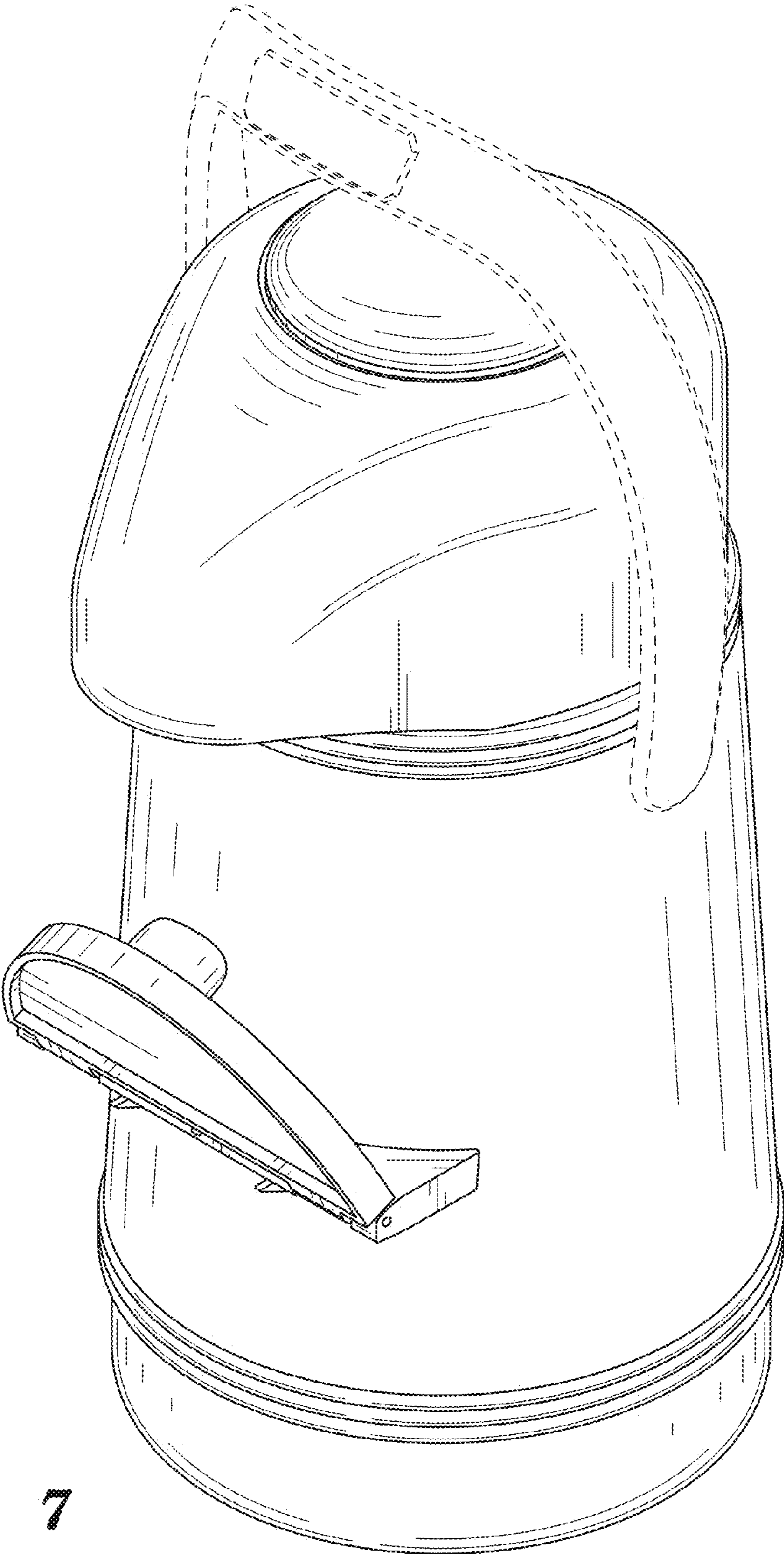


FIG. 7

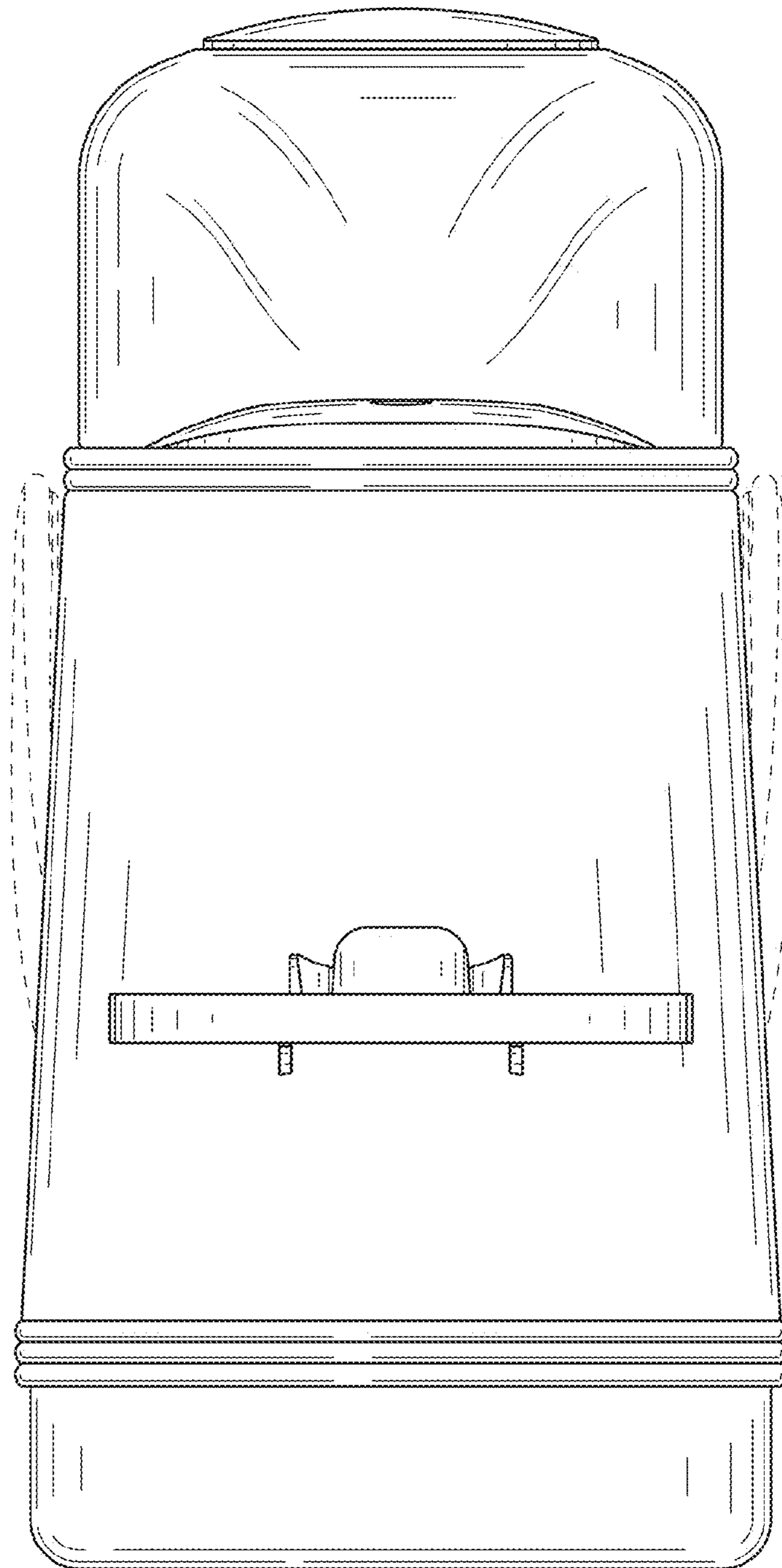


FIG. 8

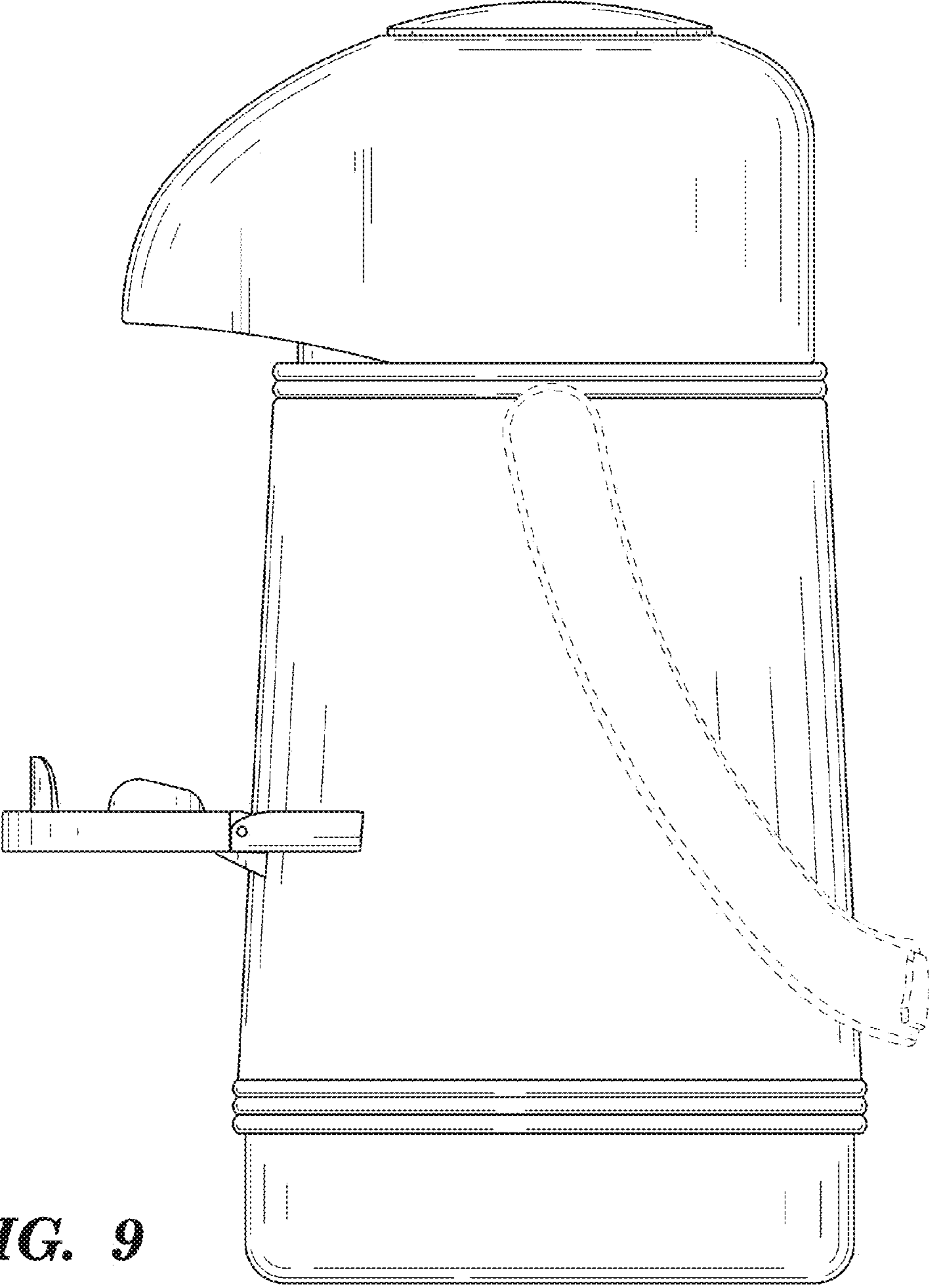


FIG. 9

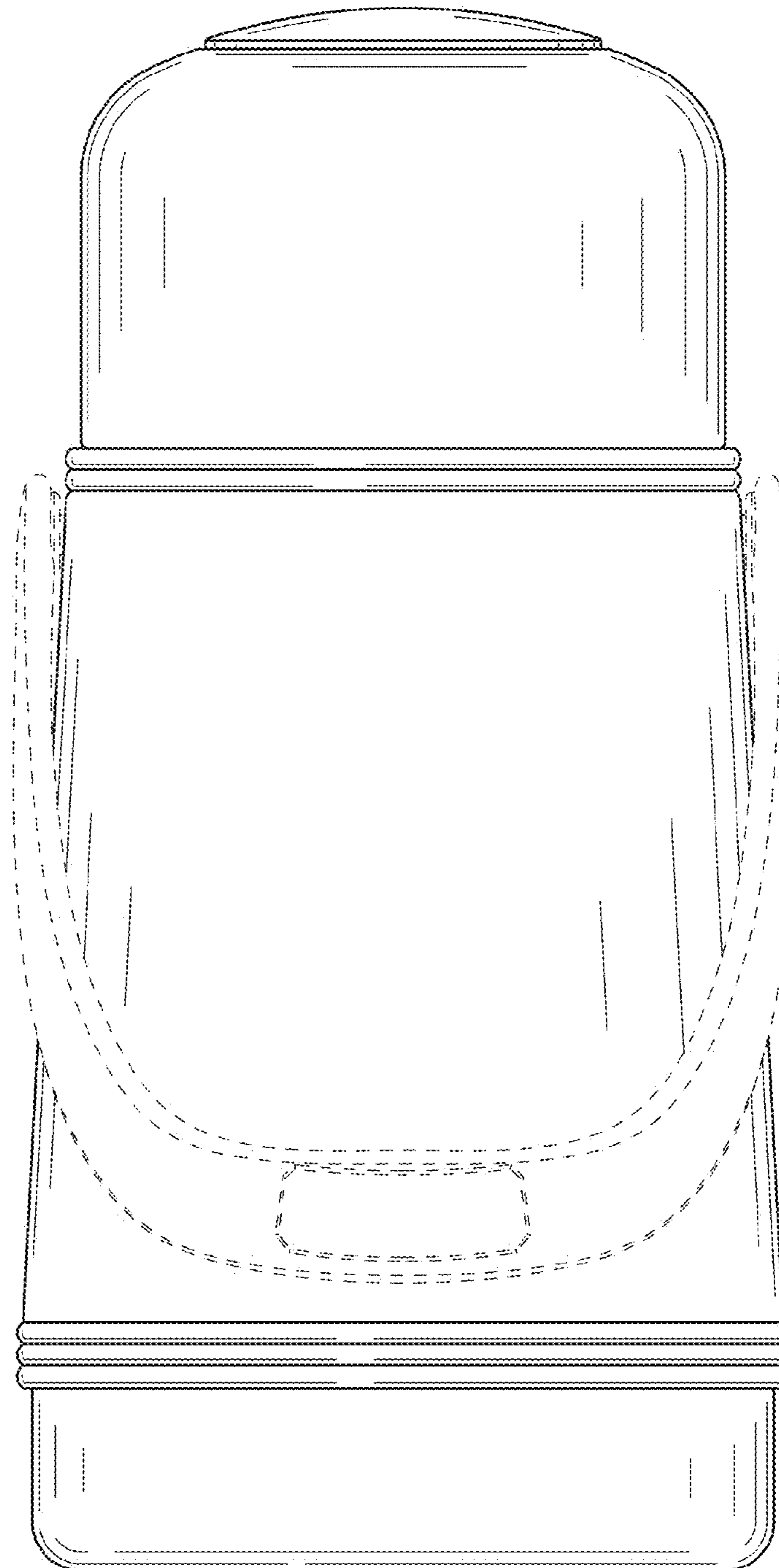


FIG. 10

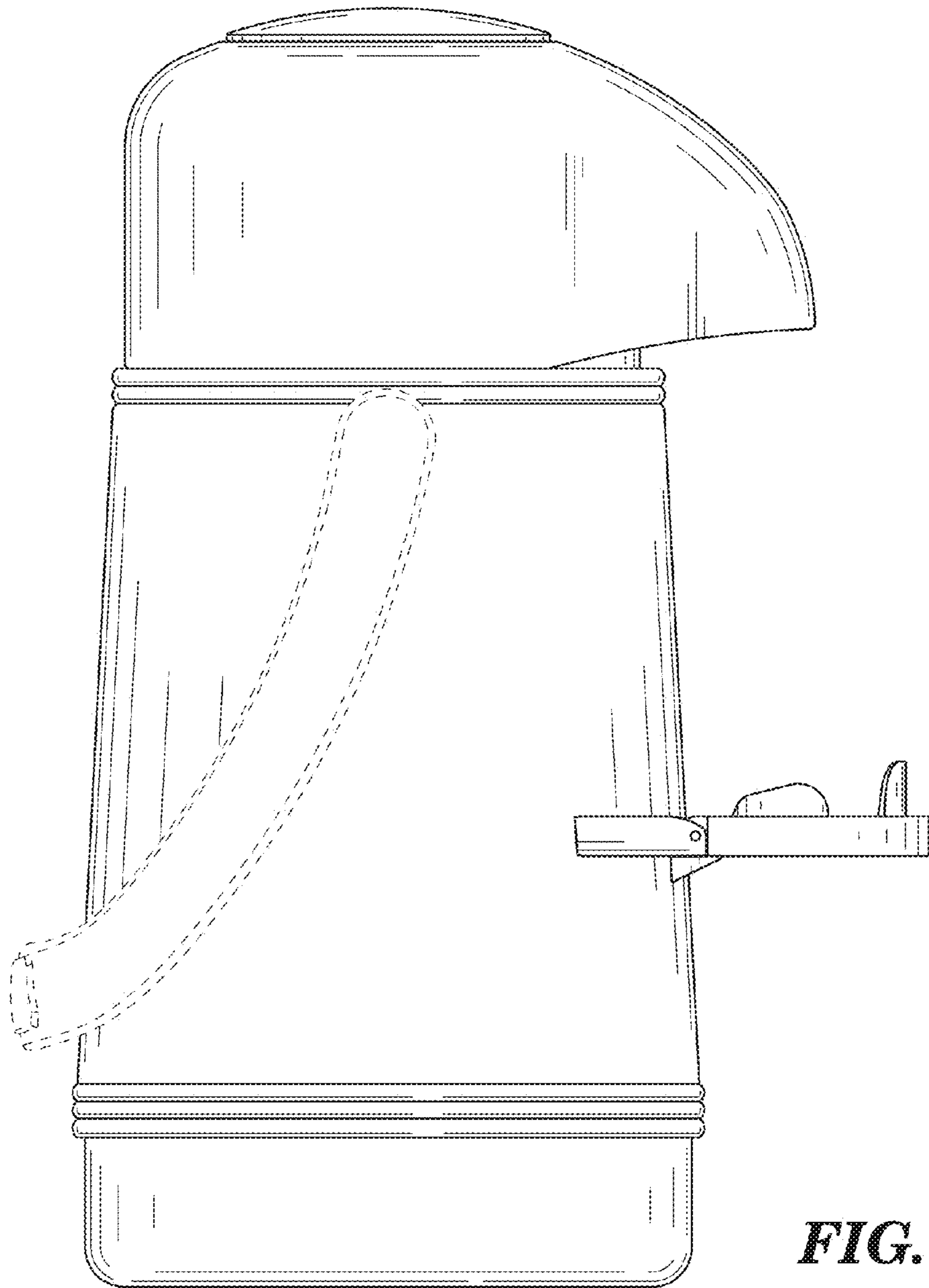


FIG. 11

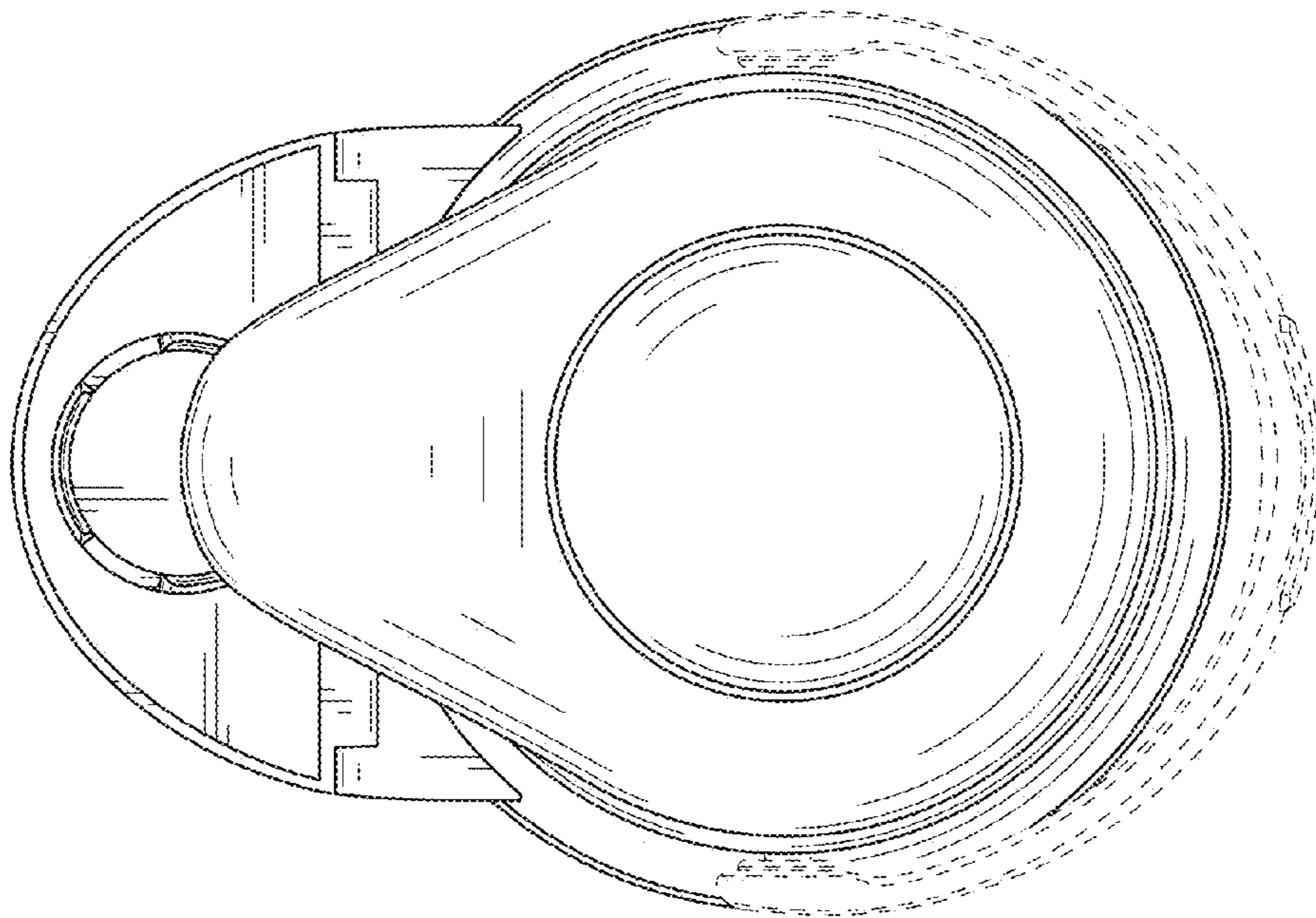


FIG. 12

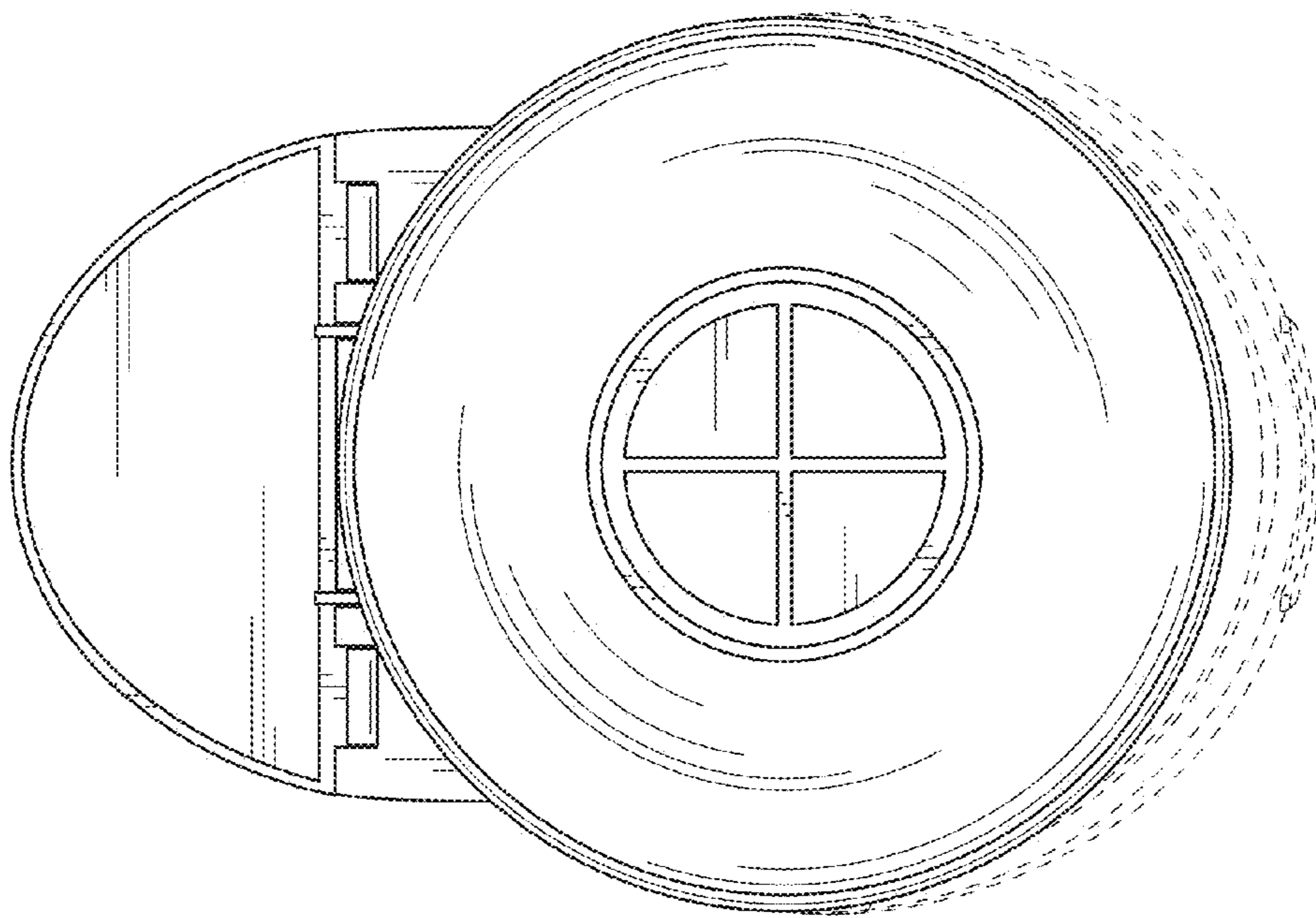


FIG. 13

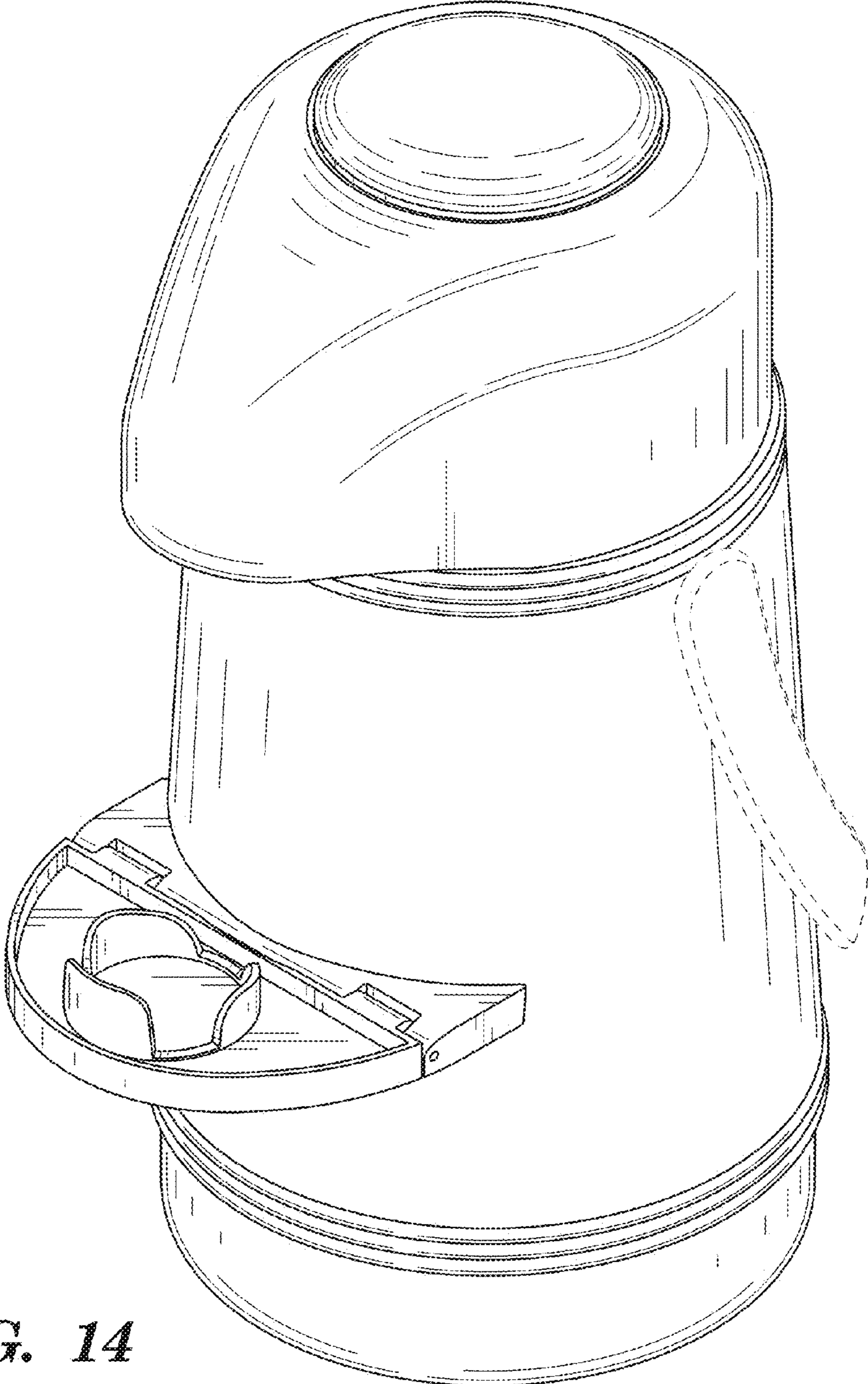


FIG. 14