

US00D734633S

(12) **United States Design Patent**
Espiritu

(10) **Patent No.:** **US D734,633 S**
(45) **Date of Patent:** **** Jul. 21, 2015**

(54) **SHELF CLIP**

(71) Applicant: **BEEMAK PLASTICS, LLC**, La Mirada (CA)

(72) Inventor: **Brian Espiritu**, Newmarket (CA)

(73) Assignee: **Beemak Plastics, LLC**, La Miranda, CA (US)

(**) Term: **14 Years**

(21) Appl. No.: **29/460,111**

(22) Filed: **Jul. 8, 2013**

(51) **LOC (10) Cl.** **06-06**

(52) **U.S. Cl.**
USPC **D6/719; D8/380; D20/44**

(58) **Field of Classification Search**
USPC D3/318; D6/312, 324, 328, 341, 371, D6/566, 580, 600, 641, 672, 681, 719; D8/321, 323, 325, 331, 336, 353, 354, D8/376, 380, 381, 404; D12/42, 51, 106, D12/133, 162; D13/146; D15/89; D20/43, D20/44; D25/119, 124, 132; 40/642.02; 108/27; 211/94.01; 248/229, 317
CPC A63H 3/52; A47B 96/06; B60R 16/0215; F16L 3/24; G09F 3/18; G09F 3/204; G09F 3/0215

See application file for complete search history.

(56) **References Cited**

U.S. PATENT DOCUMENTS

D314,017 S *	1/1991	Garfinkle	D20/43
D322,389 S *	12/1991	Harmon	D8/380
D438,778 S *	3/2001	Ribe	D8/354
D456,744 S *	5/2002	Shavel et al.	D12/51
D480,434 S *	10/2003	Brinkman et al.	D20/43
D529,291 S *	10/2006	Schloss	D3/318
D531,227 S *	10/2006	Mueller et al.	D20/44
D548,065 S *	8/2007	Zhu et al.	D8/380

D573,656 S *	7/2008	Wamsley	D20/43
D596,017 S *	7/2009	Sato	D8/380
D658,408 S *	5/2012	Spurgeon	D6/719
2004/0250459 A1 *	12/2004	Brinkman et al.	40/642.02
2006/0086027 A1 *	4/2006	Brinkman et al.	40/642.02

OTHER PUBLICATIONS

Shelf Label Holder: Announced Mar. 8, 2010 [online], site visited [Apr. 23, 2015]. Available from Internet URL > www.alibaba.com > Packaging & Printing > shelf.*

* cited by examiner

Primary Examiner — Thomas Johannes

Assistant Examiner — Catherine Posthauer

(74) *Attorney, Agent, or Firm* — Dentons US LLP; Brian R. McGinley; Anne K. W. Sutton

(57) **CLAIM**

The ornamental design for a shelf clip, as shown and described.

DESCRIPTION

FIG. 1 is a front perspective view of a shelf clip illustrating the new design;

FIG. 2 is a enlarged detail view of the shelf clip illustrated in FIG. 1;

FIG. 3 is a right-side elevational view of the SHELF CLIP shown in FIG. 1 with the broken lines on the right side removed for illustrative clarity; and the left-side elevational view is a mirror image thereof.

FIG. 4 is a front view of the shelf clip shown in FIG. 1;

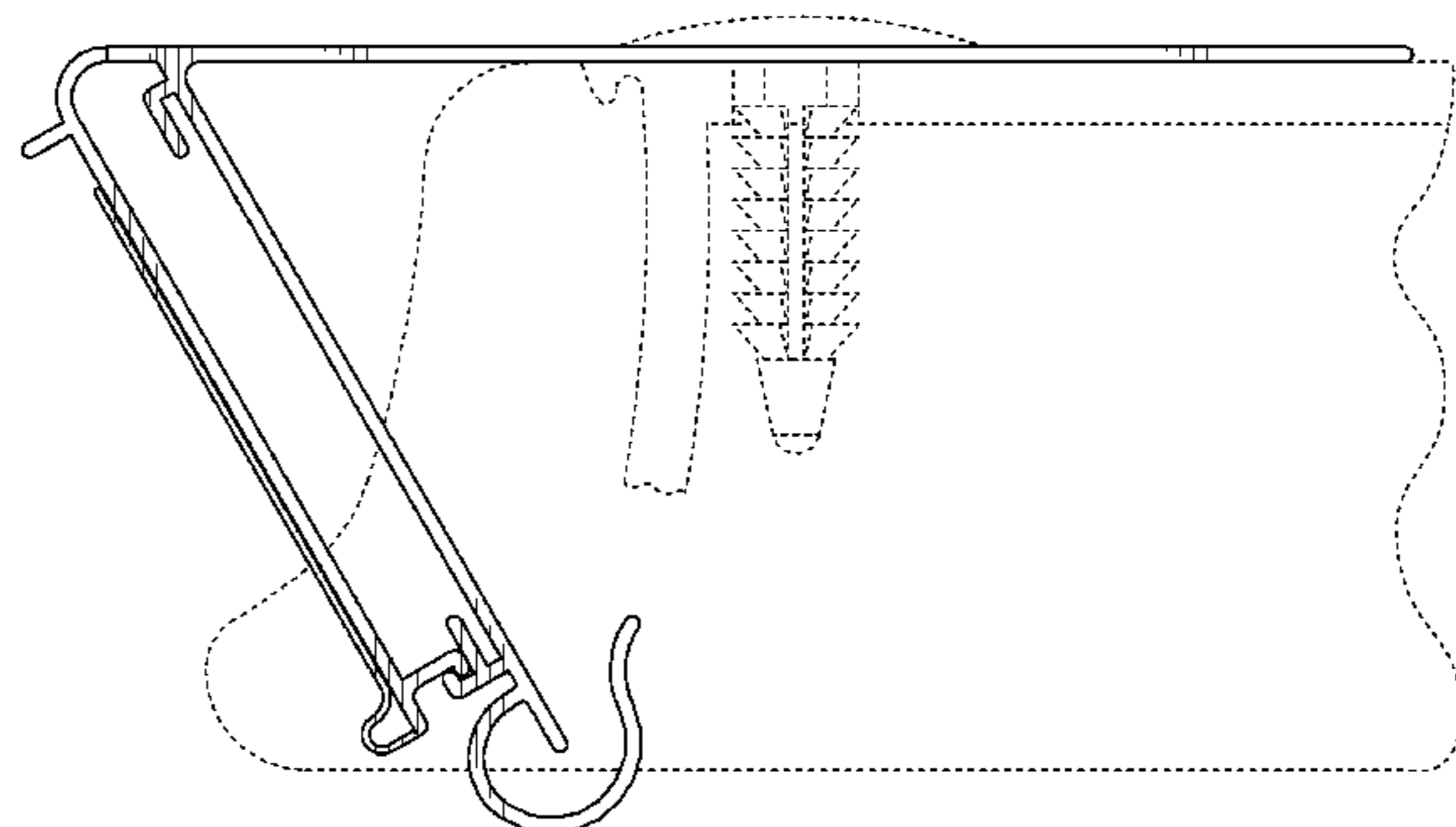
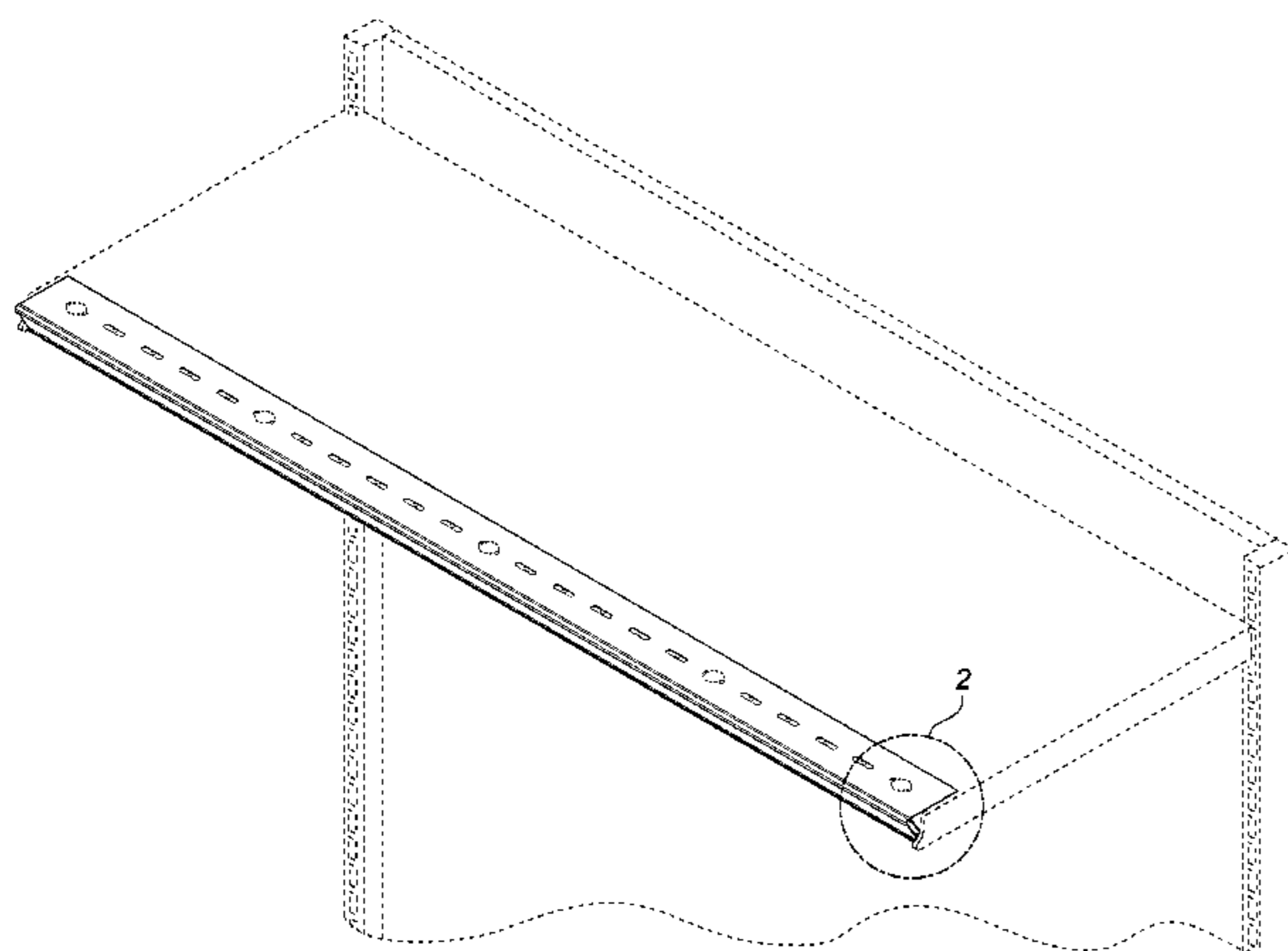
FIG. 5 is a rear view of the shelf clip shown in FIG. 1;

FIG. 6 is a top view of the shelf clip shown in FIG. 1; and,

FIG. 7 is a bottom view of the shelf clip shown in FIG. 1.

The broken lines in FIGS. 1-3 and 6 are shown to indicate unclaimed environmental structure and unclaimed portions of the shelf clip and form no part of the claimed design. The dot-dash lines shown in FIGS. 1 and 2 are for the purpose of identifying an enlargement view and form no part of the claimed design.

1 Claim, 4 Drawing Sheets



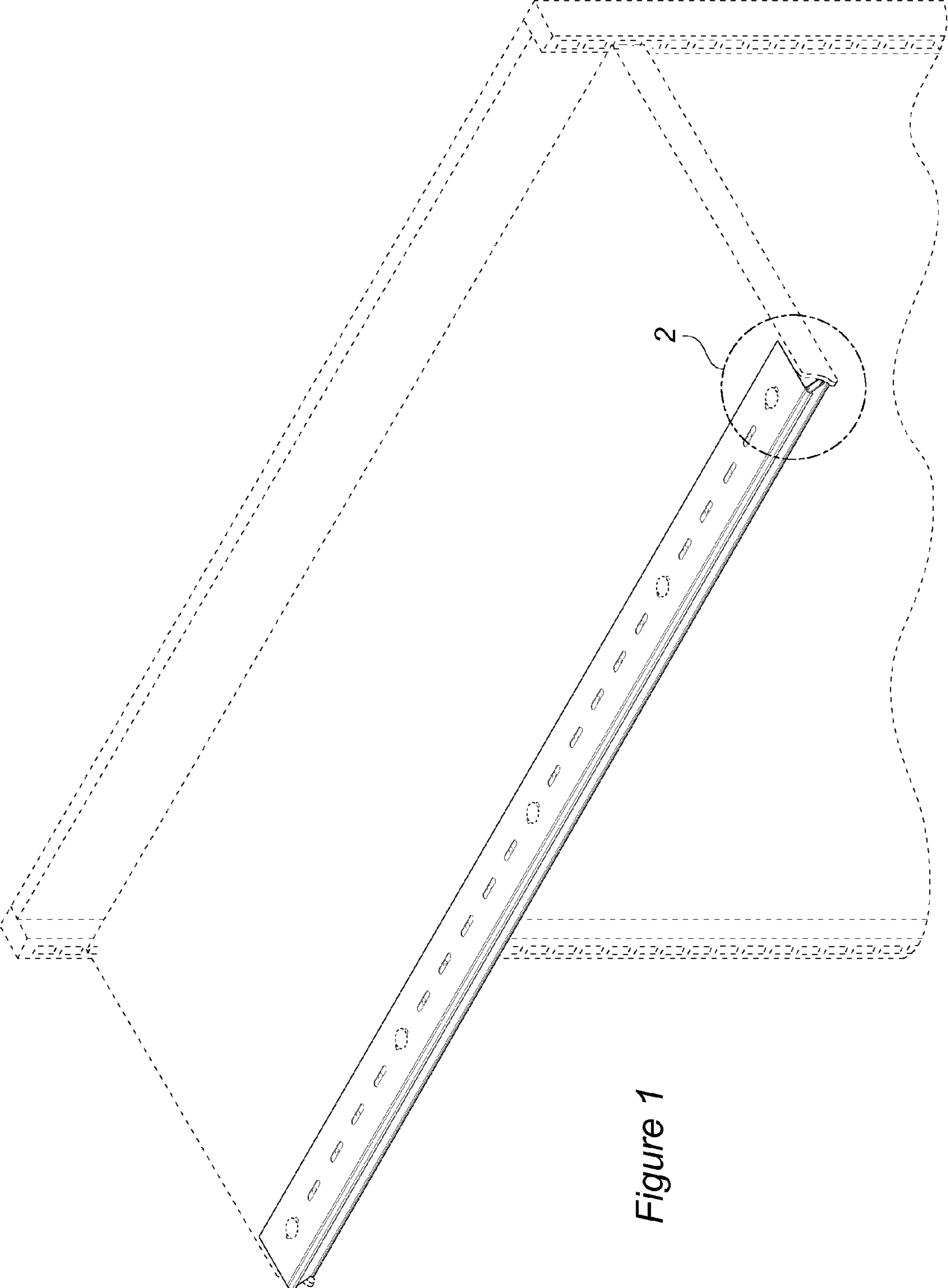


Figure 1

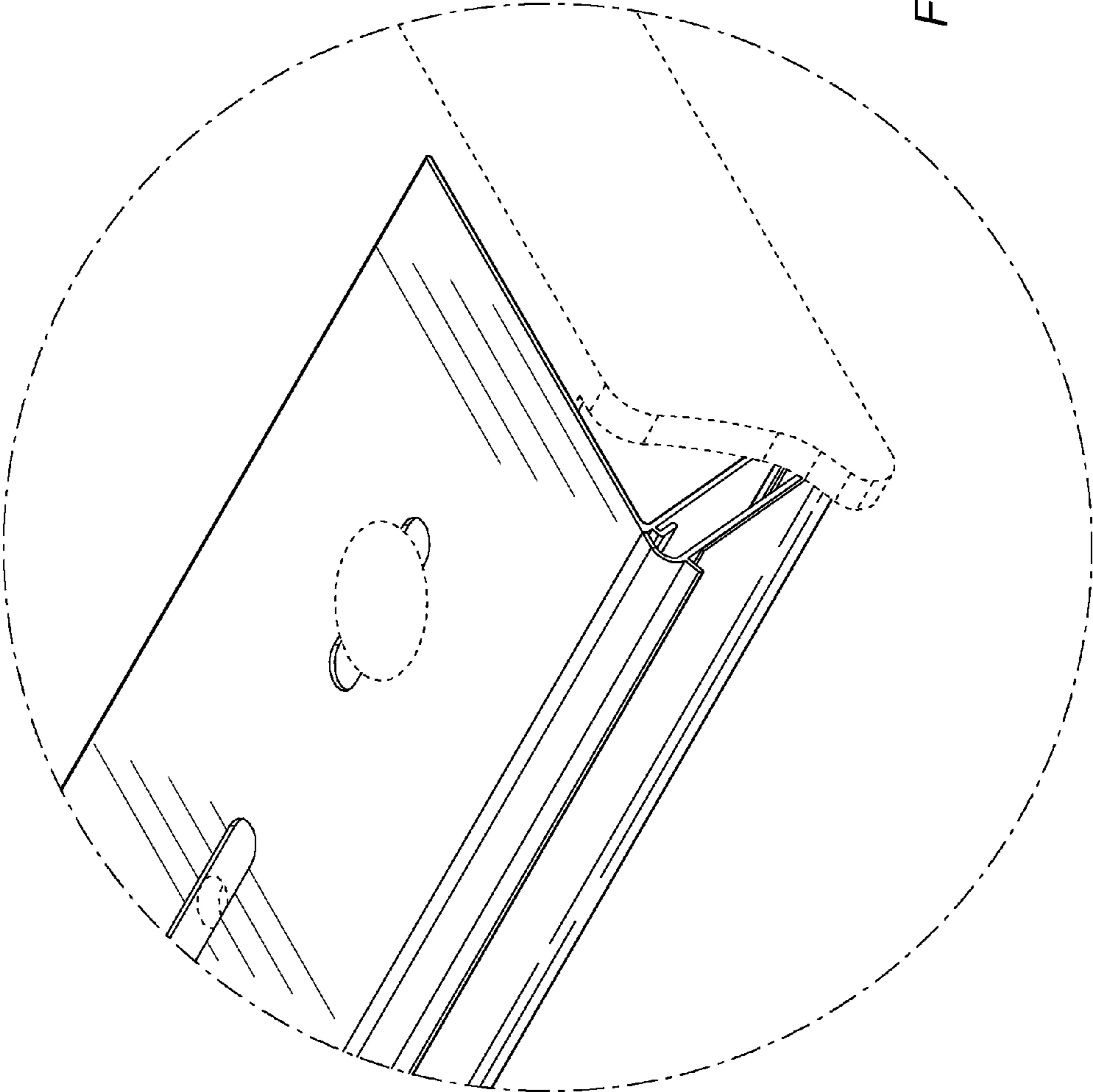


Figure 2

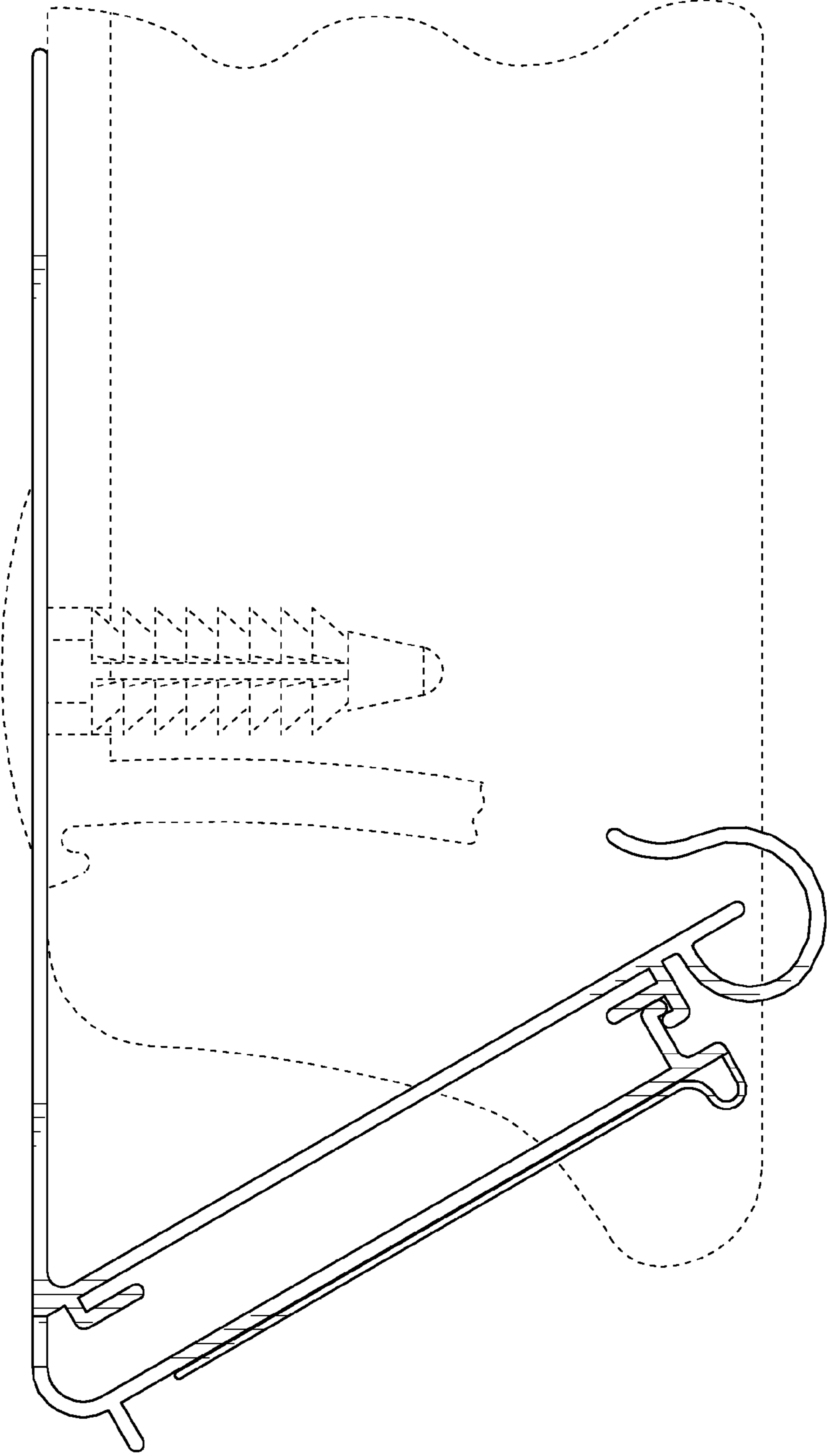


Figure 3

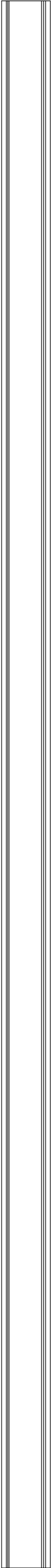


Figure 4



Figure 5



Figure 6

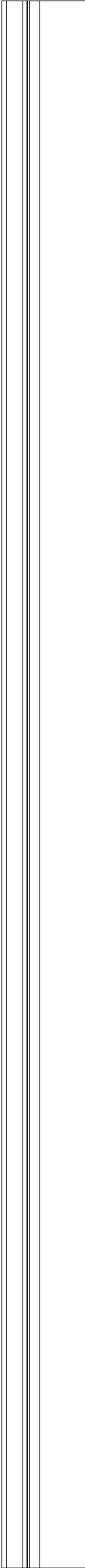


Figure 7