



US00D734632S

(12) **United States Design Patent**  
**Hara**

(10) **Patent No.:** **US D734,632 S**  
(45) **Date of Patent:** **\*\* Jul. 21, 2015**

(54) **CHAIR**  
(71) Applicant: **OKAMURA CORPORATION**,  
Yokohama-shi, Kanagawa (JP)  
(72) Inventor: **Eisuke Hara**, Yokohama (JP)  
(73) Assignee: **Okamura Corporation**, Kanagawa (JP)  
(\*\*) Term: **14 Years**

D253,205 S *	10/1979	Buhk .....	D6/366
D270,309 S *	8/1983	Ochsner .....	D6/366
D270,311 S *	8/1983	Ochsner .....	D6/366
D292,655 S *	11/1987	Hendrick .....	D6/366
D301,662 S *	6/1989	Vonhausen .....	D6/366
D336,722 S *	6/1993	Fahnstrom et al. ....	D6/366
D355,303 S *	2/1995	Scheper et al. ....	D6/366
D657,151 S *	4/2012	Lievore et al. ....	D6/366
D675,463 S *	2/2013	Collinson et al. ....	D6/366
D680,344 S *	4/2013	Lievore et al. ....	D6/366
D683,979 S *	6/2013	Miller et al. ....	D6/366

\* cited by examiner

(21) Appl. No.: **29/485,309**  
(22) Filed: **Mar. 18, 2014**

*Primary Examiner* — Mimoso De  
(74) *Attorney, Agent, or Firm* — Sughrue Mion, PLLC

(30) **Foreign Application Priority Data**  
Sep. 26, 2013 (JP) ..... 2013-022401  
(51) **LOC (10) Cl.** ..... **06-01**  
(52) **U.S. Cl.**  
USPC ..... **D6/716; D6/366**  
(58) **Field of Classification Search**  
USPC ..... D6/334-336, 364, 365, 366, 374, 375,  
D6/379, 716, 716.1, 716.2, 716.4  
CPC ..... A47C 3/12; A47C 7/16; A47C 7/54;  
A47C 7/022; A47C 7/40  
See application file for complete search history.

(57) **CLAIM**  
The ornamental design for a chair, as shown and described.

(56) **References Cited**  
U.S. PATENT DOCUMENTS  
D142,800 S \* 11/1945 Watson ..... D6/716  
D236,303 S \* 8/1975 Prizlow ..... D6/366

**DESCRIPTION**

FIG. 1 is a perspective view from the front side of a chair.  
FIG. 2 is a perspective view from the rear side thereof.  
FIG. 3 is a front elevation view thereof.  
FIG. 4 is a rear elevation view thereof.  
FIG. 5 is a right side elevation view thereof.  
FIG. 6 is a left side elevation view thereof.  
FIG. 7 is a top plan view thereof; and,  
FIG. 8 is a bottom plan view thereof.  
The portions of the chair shown in broken lines are for the purpose of showing environmental structure only and form no part of the claimed design.

**1 Claim, 8 Drawing Sheets**

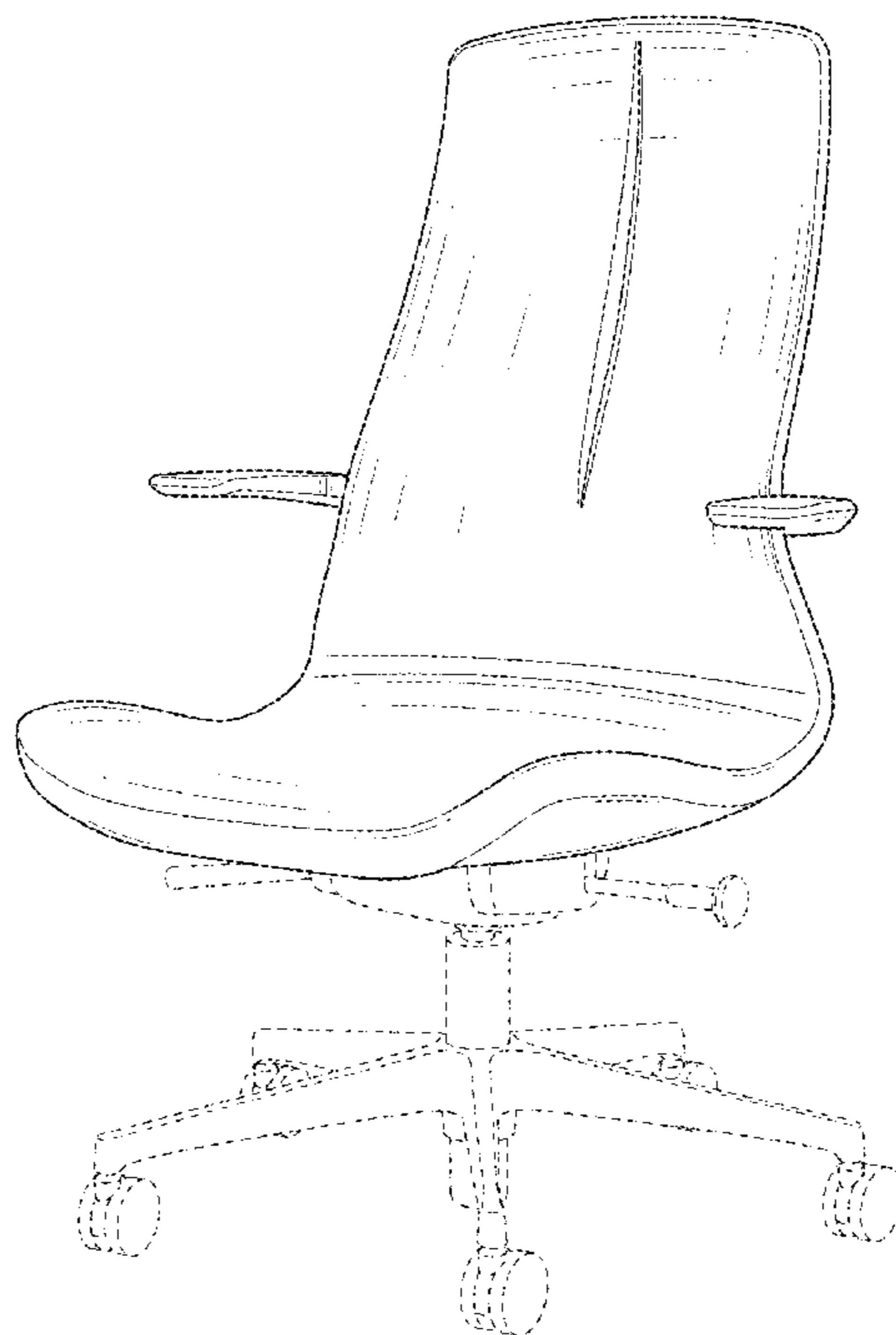


FIG. 1

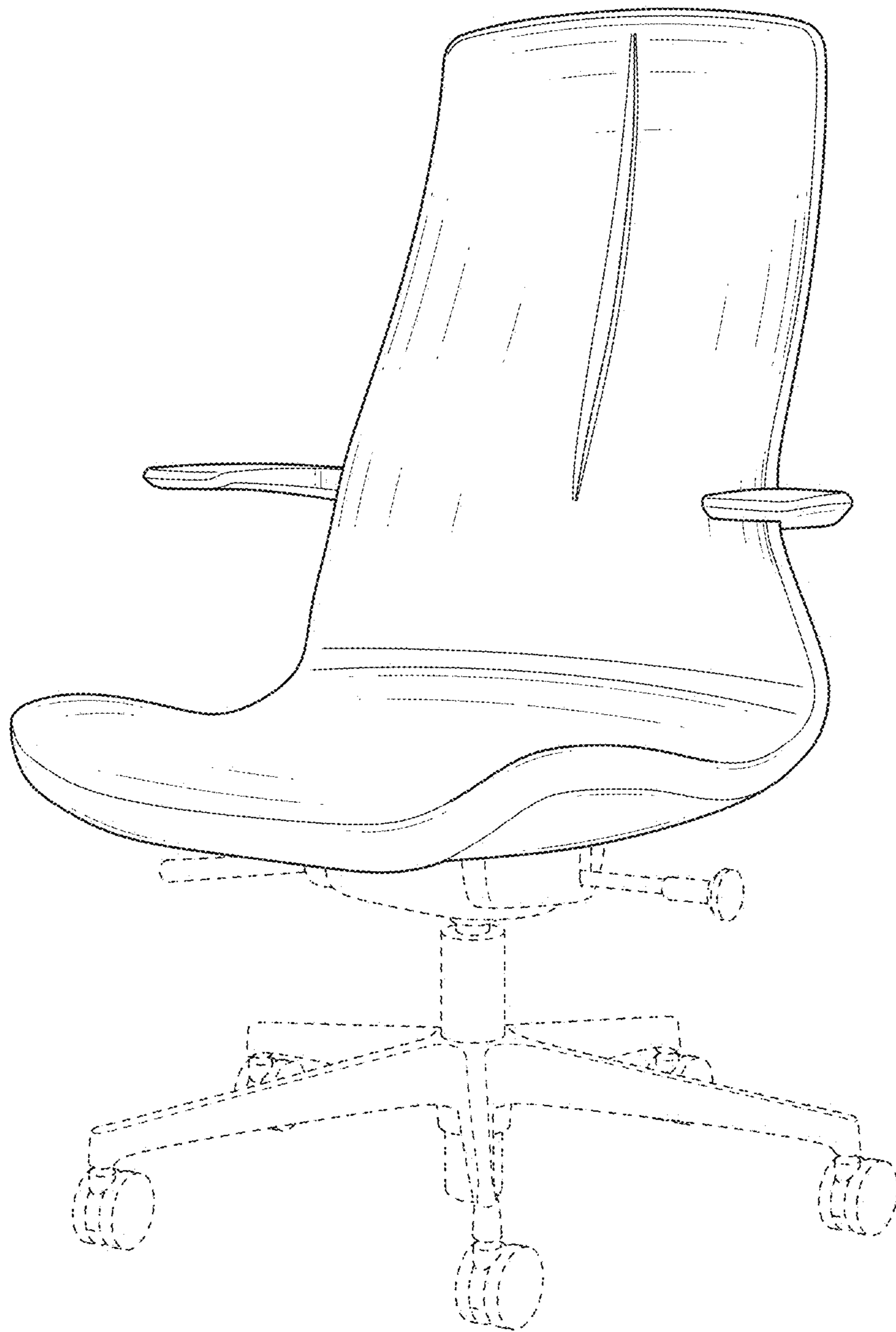


FIG. 2

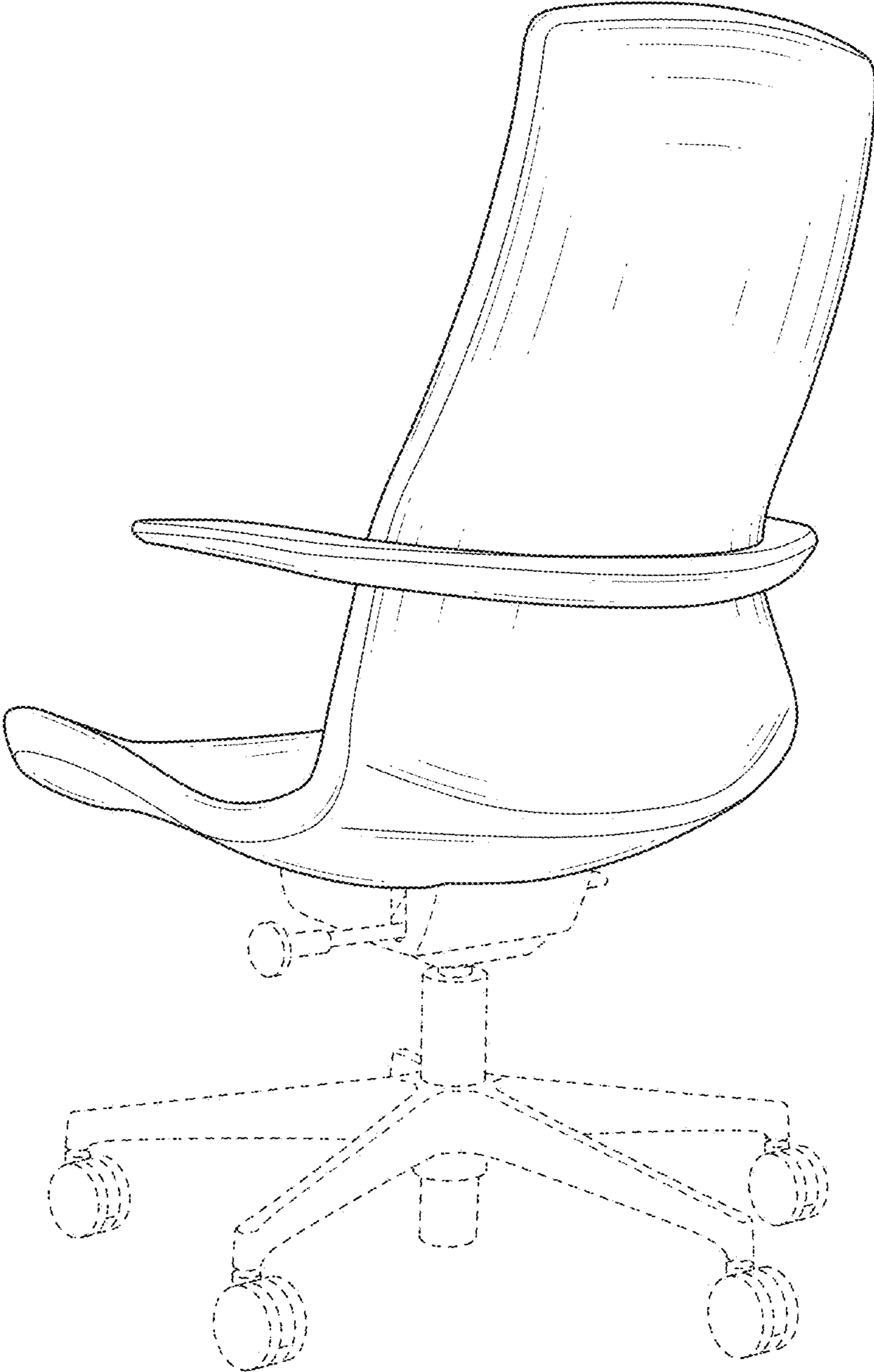


FIG. 3

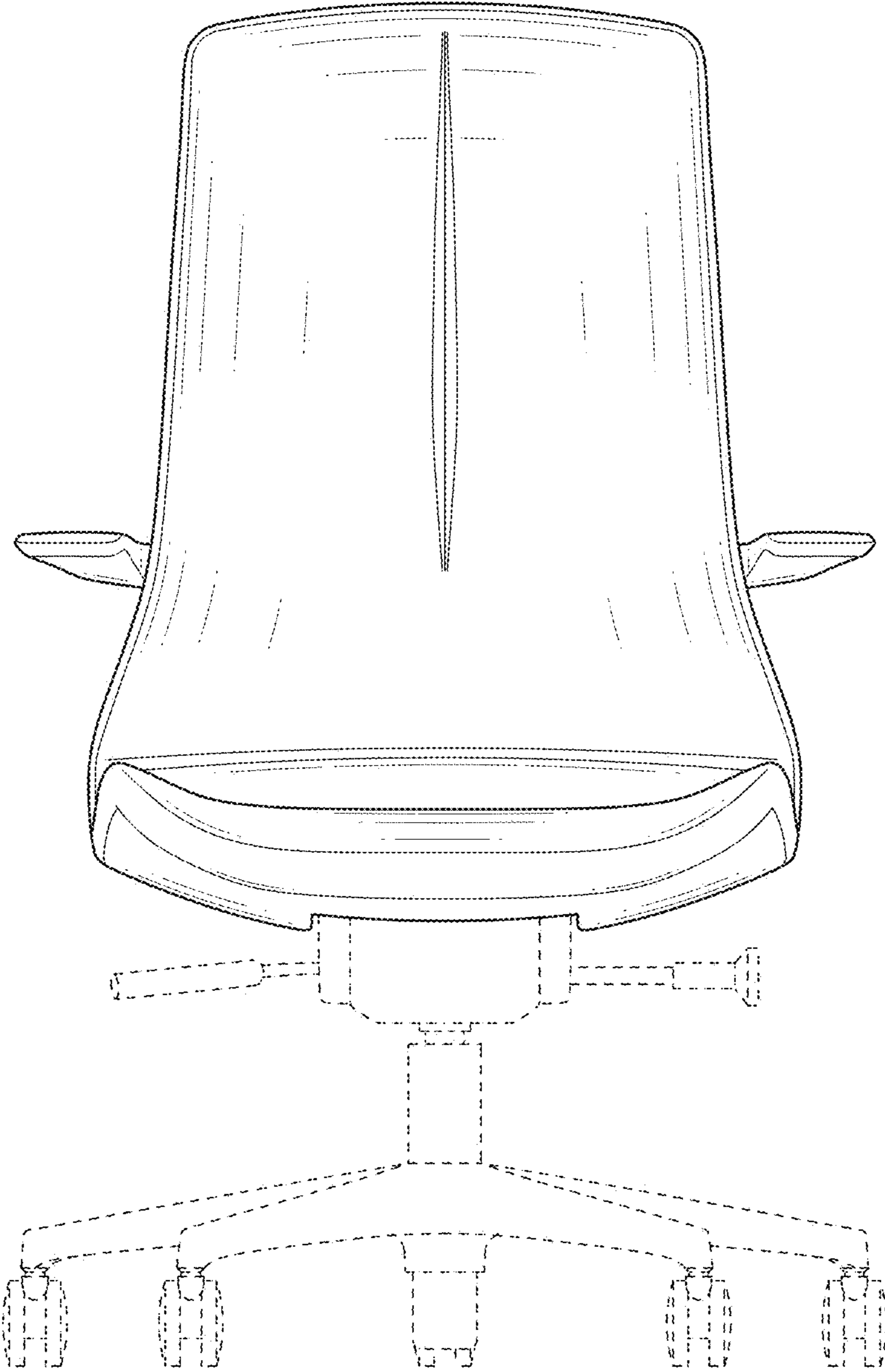


FIG. 4

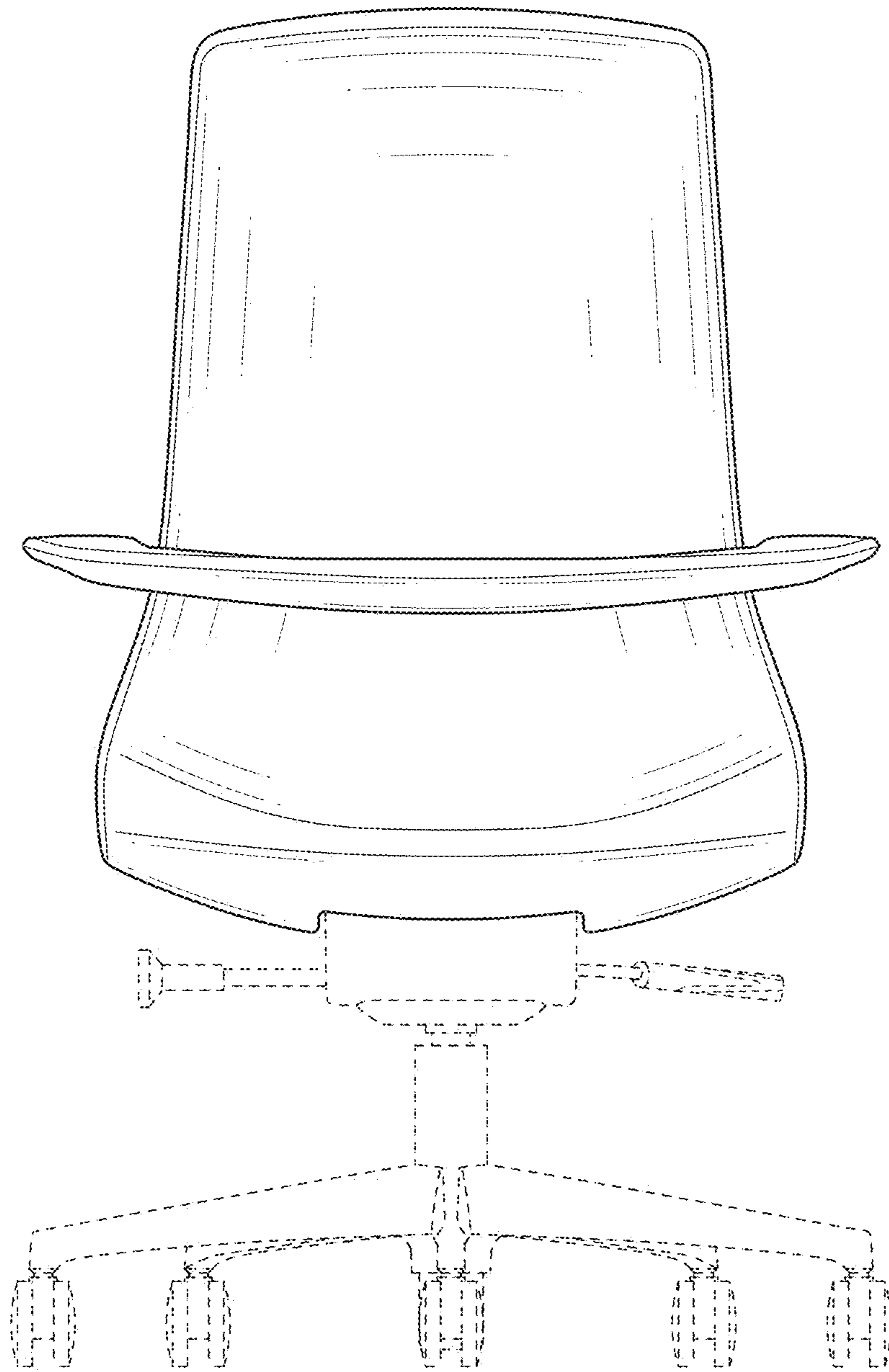


FIG. 5

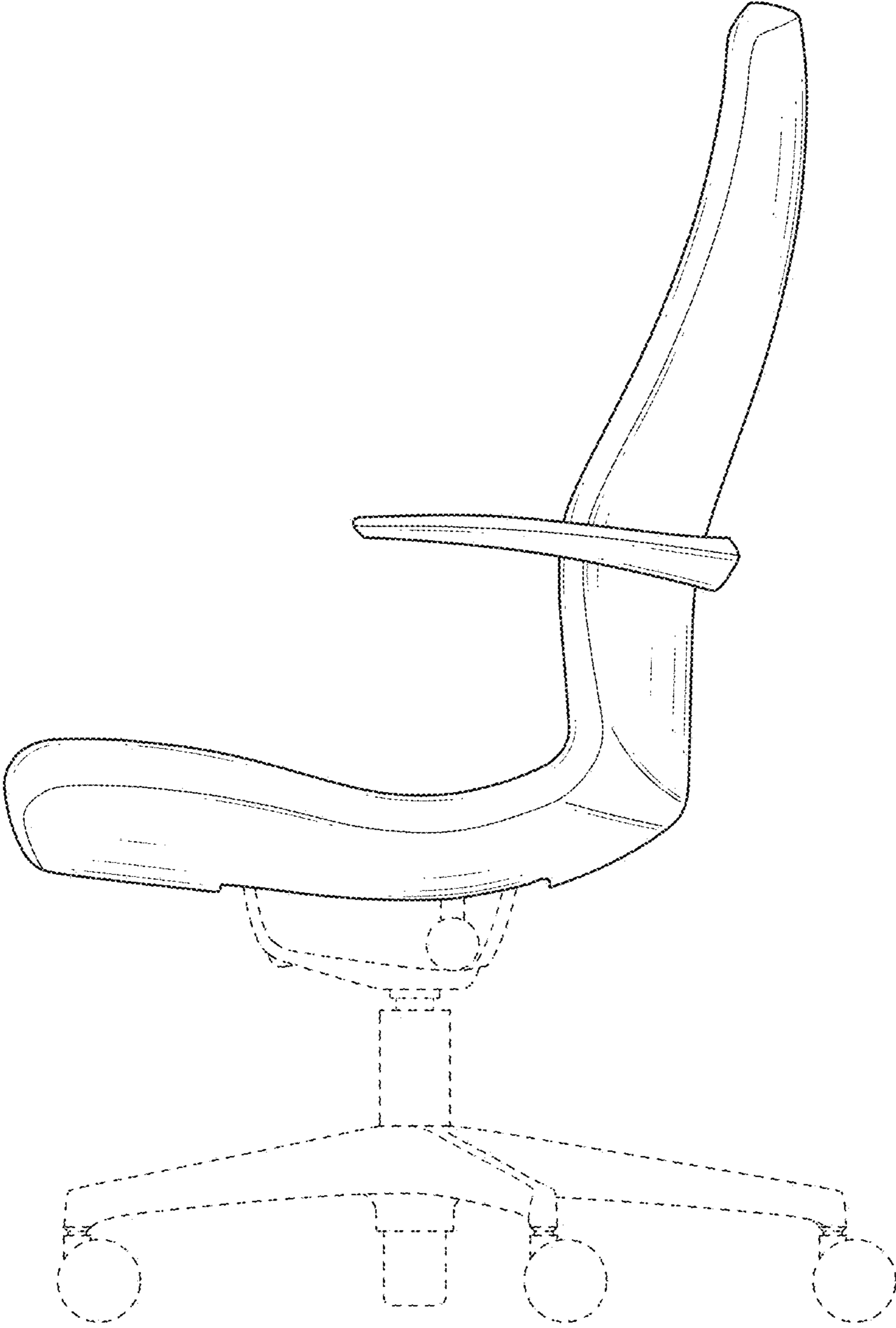




FIG. 6

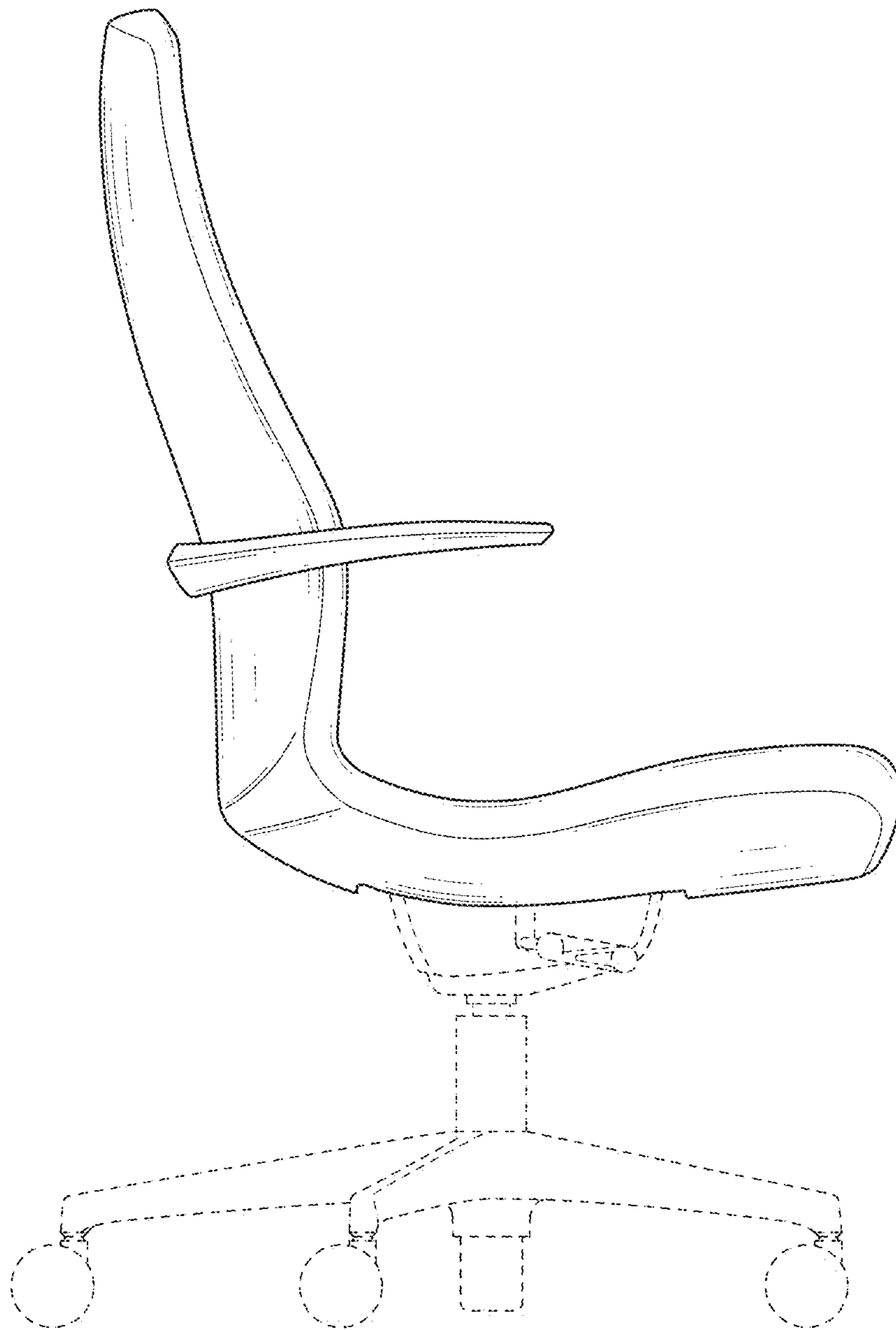


FIG. 7

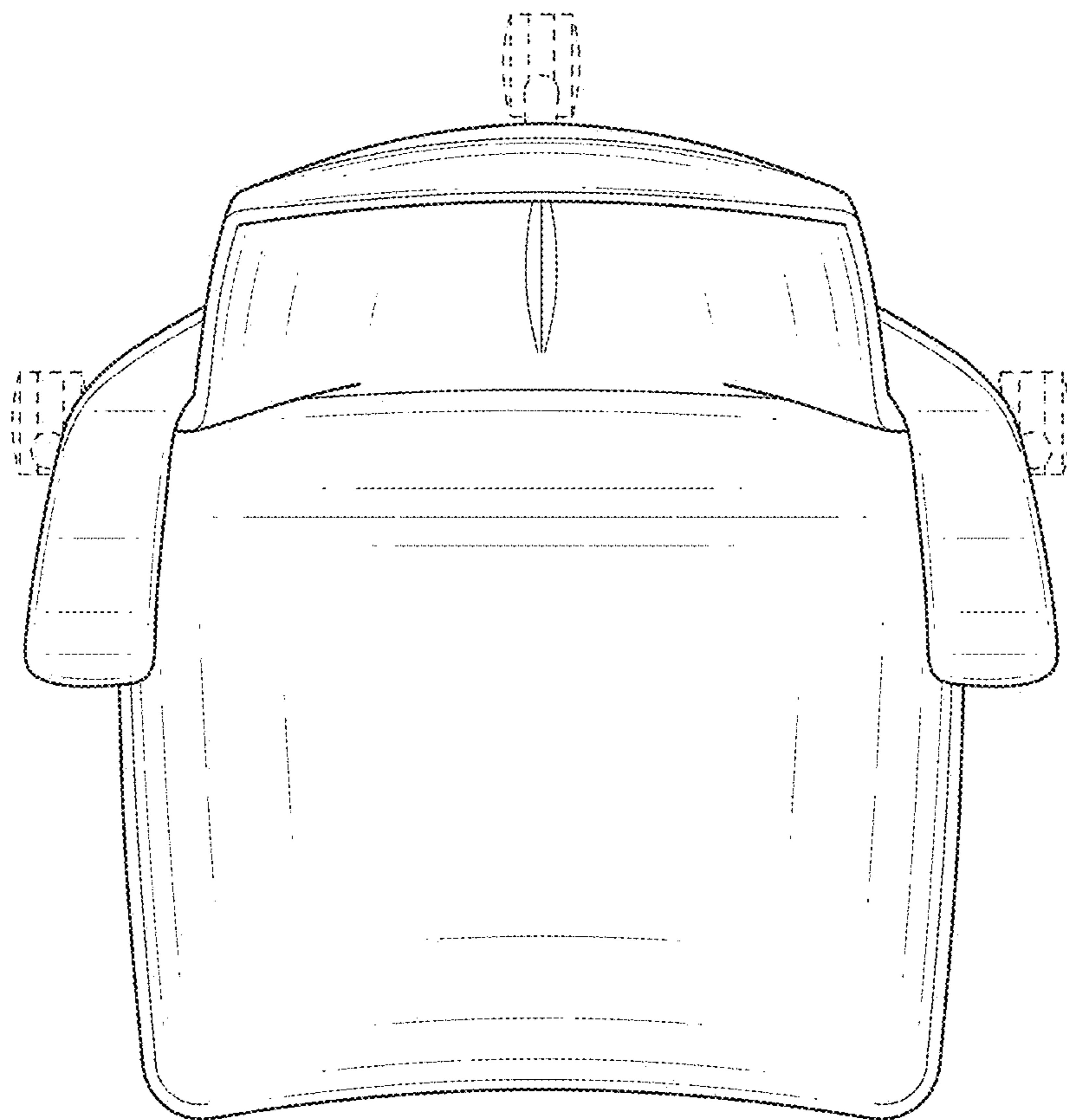




FIG. 8

