



US00D734621S

(12) **United States Design Patent**
Su

(10) **Patent No.:** **US D734,621 S**
(45) **Date of Patent:** **** Jul. 21, 2015**

(54) **WHEELED CHAIR**

(71) Applicant: **Chih-Cheng Su**, Dongguan (CN)

(72) Inventor: **Chih-Cheng Su**, Dongguan (CN)

(73) Assignee: **DONGGUAN KENTEC OFFICE SEATING CO., LTD.**, Dongguan (CN)

(**) Term: **14 Years**

(21) Appl. No.: **29/477,681**

(22) Filed: **Dec. 25, 2013**

(51) **LOC (10) Cl.** **06-01**

(52) **U.S. Cl.**
USPC **D6/376**

(58) **Field of Classification Search**
USPC D6/334-336, 366, 368, 371, 372, 373,
D6/374, 376, 716, 716.1, 716.2, 716.3,
D6/716.4
CPC A47C 5/04; A47C 7/022; A47C 7/283;
A47C 7/40; B60N 2/4673

See application file for complete search history.

(56) **References Cited**

U.S. PATENT DOCUMENTS

D594,669 S *	6/2009	Asano	D6/376
D643,640 S *	8/2011	DeSanta et al.	D6/366
D671,330 S *	11/2012	Izawa	D6/366
D687,642 S *	8/2013	Hsuan-Chin	D6/376
D689,297 S *	9/2013	Su	D6/376
D701,068 S *	3/2014	Usumoto et al.	D6/716

* cited by examiner

Primary Examiner — Mimoso De

(57) **CLAIM**

The ornamental design for a wheeled chair, as shown and described.

DESCRIPTION

FIG. 1 is a perspective view of a wheeled chair showing my new design;
FIG. 2 is a front elevational view thereof;
FIG. 3 is a rear elevational view thereof;
FIG. 4 is a left side elevational view thereof;
FIG. 5 is a right side elevational view thereof;
FIG. 6 is a top plan view thereof; and,
FIG. 7 is a bottom plan view thereof.

1 Claim, 7 Drawing Sheets

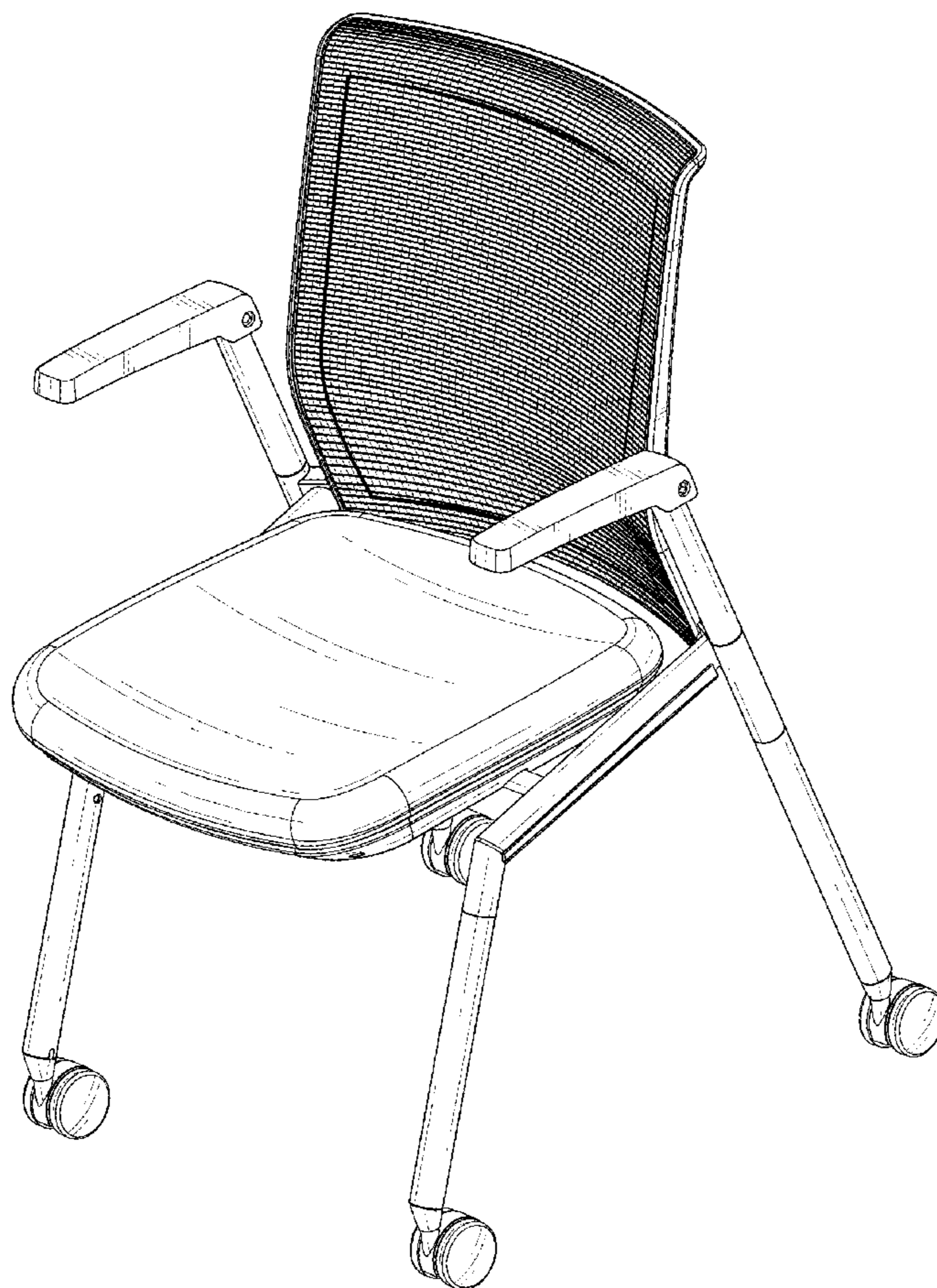




FIG. 1

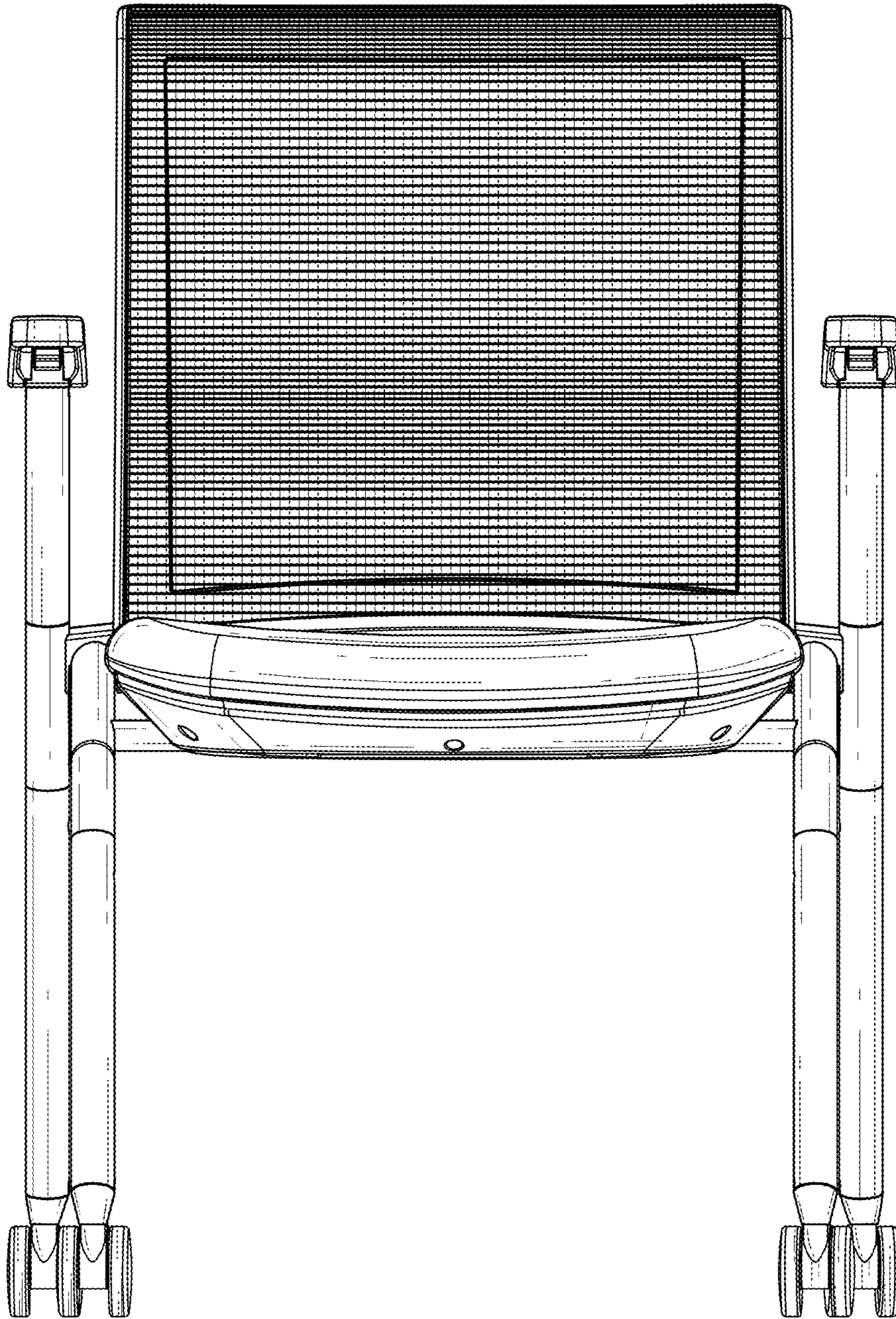


FIG. 2

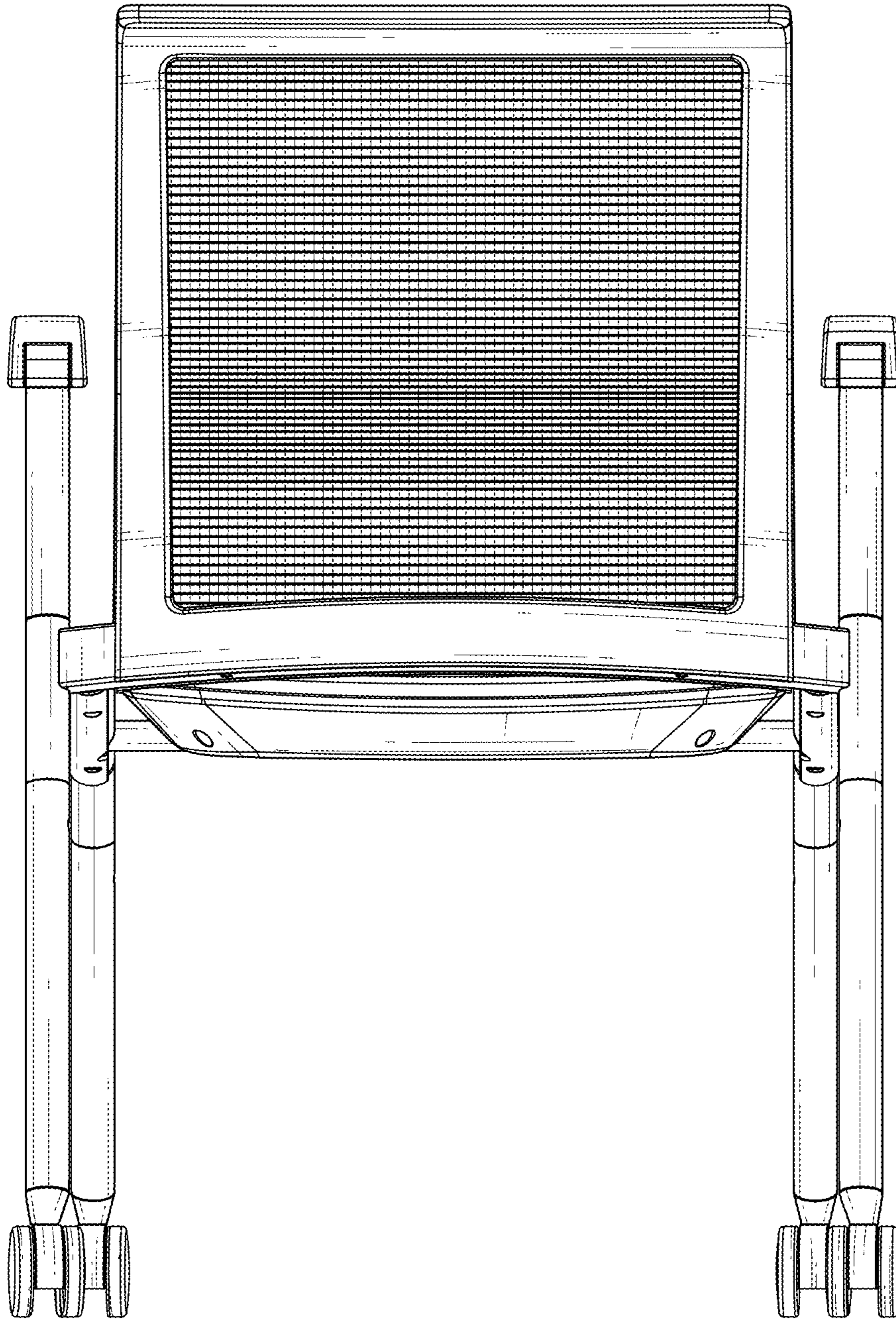


FIG. 3

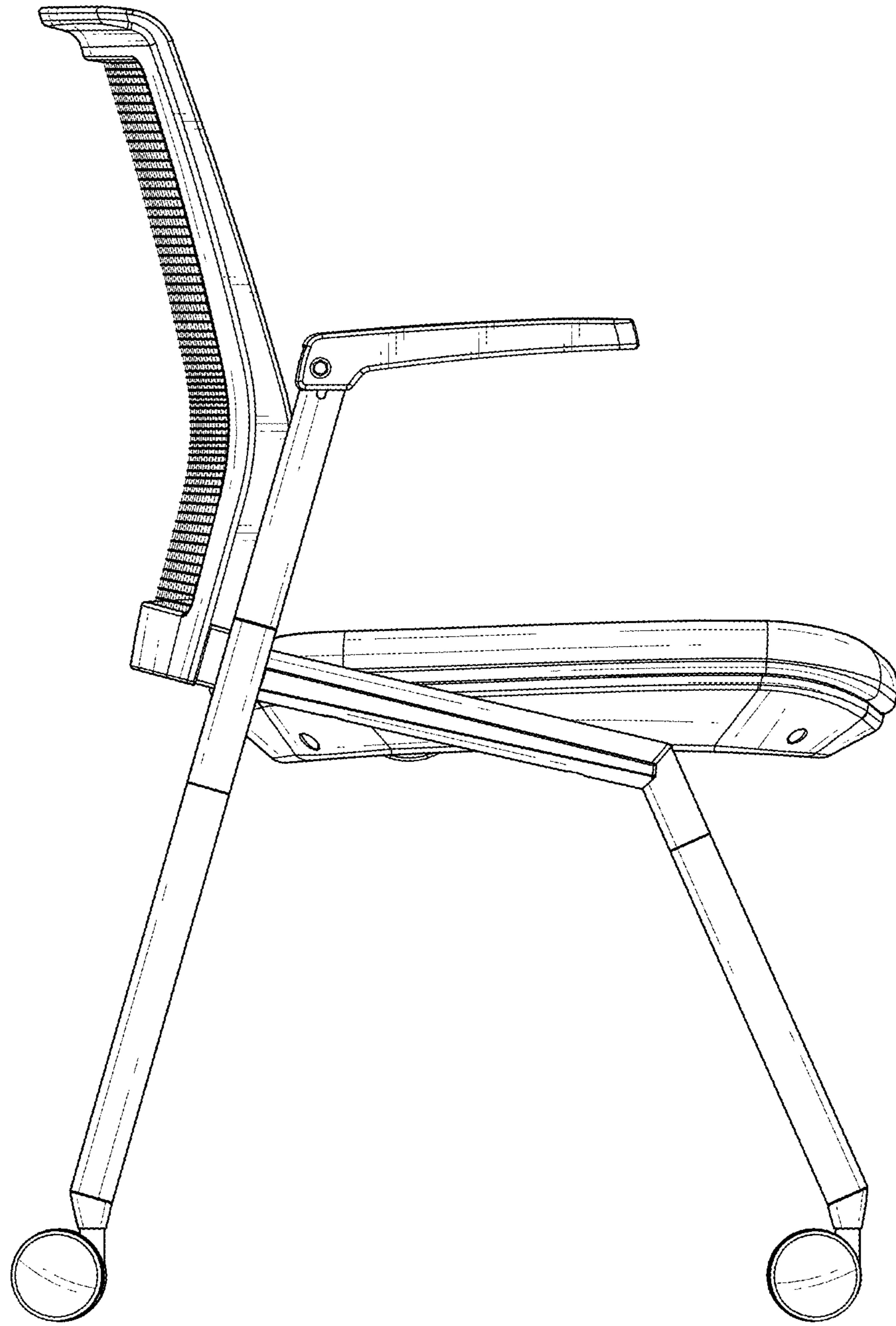


FIG. 4

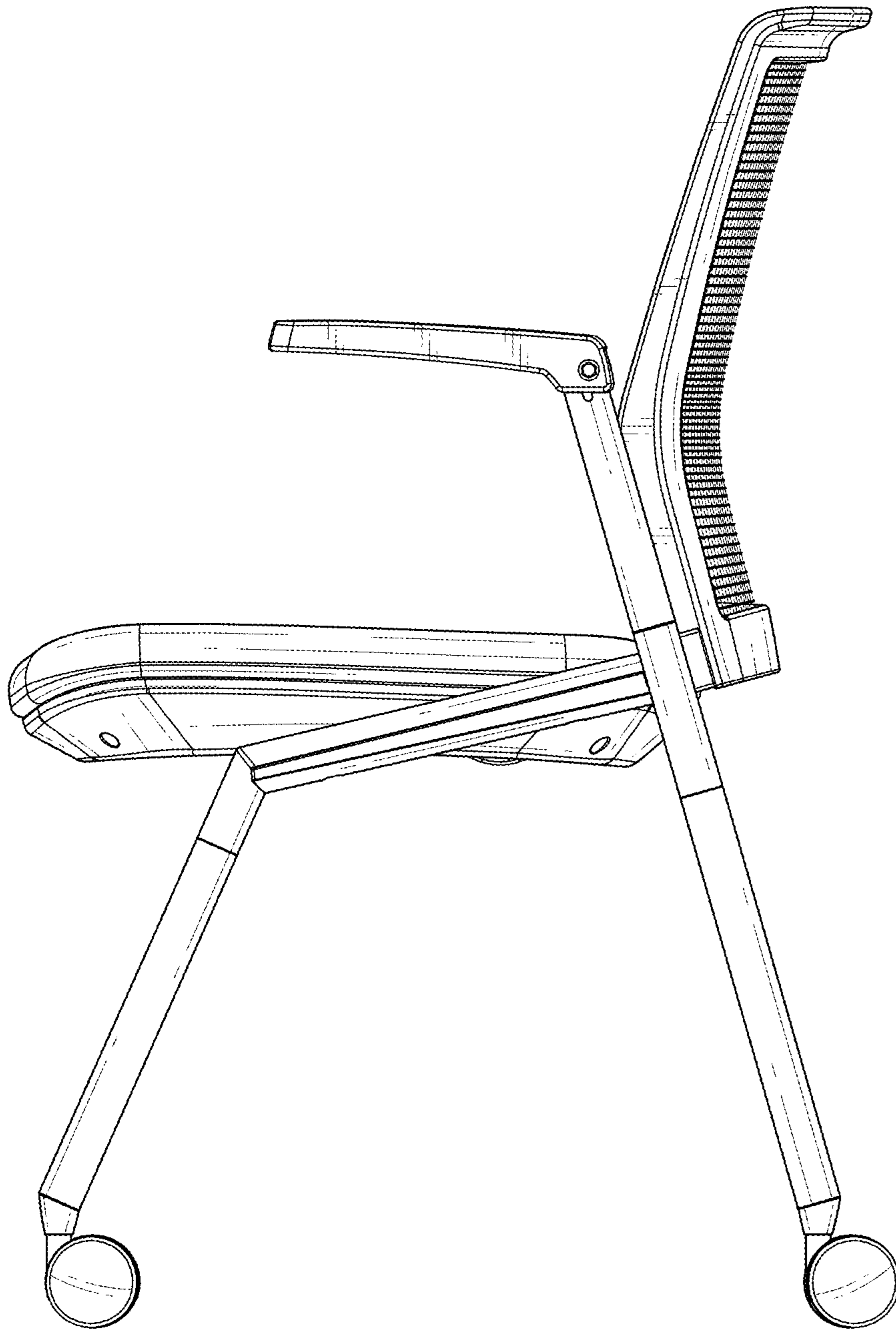


FIG. 5

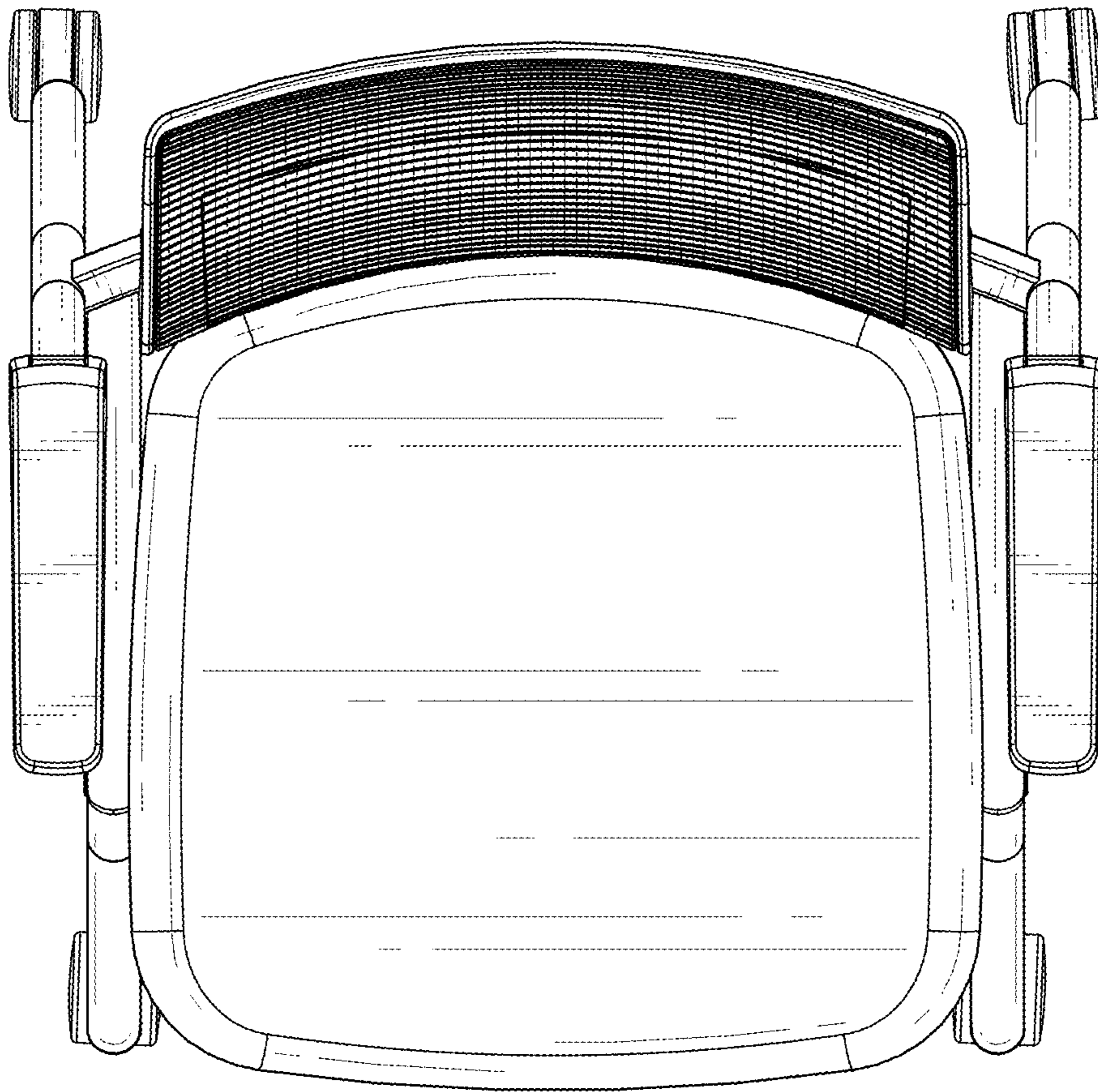


FIG. 6

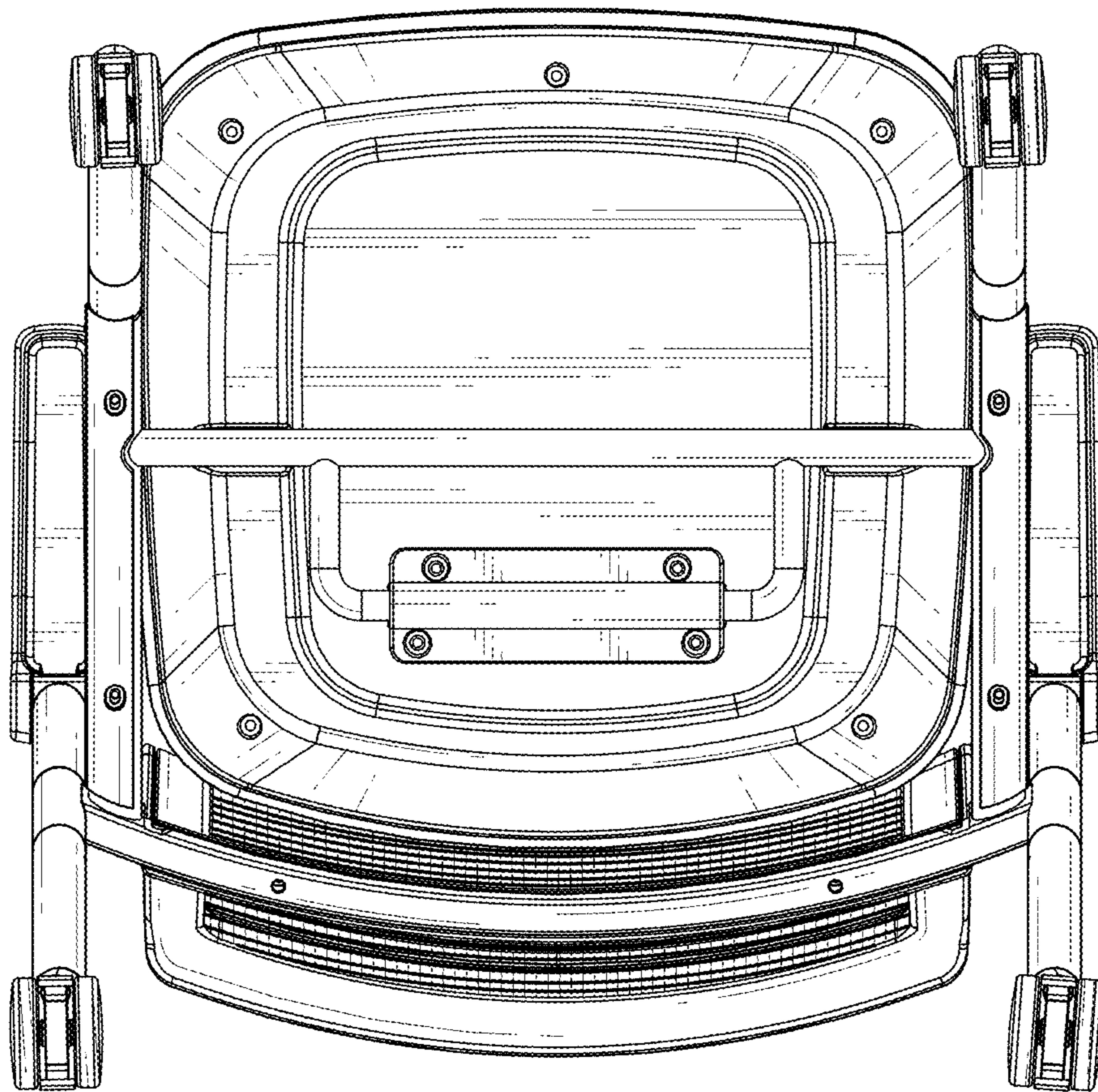


FIG. 7