



US00D734613S

(12) **United States Design Patent**
Yoshida et al.

(10) **Patent No.:** **US D734,613 S**
(45) **Date of Patent:** **** Jul. 21, 2015**

(54) **BRUSH HEAD FOR ELECTRIC TOOTHBRUSH**

(75) Inventors: **Hideaki Yoshida**, Muko (JP); **Takashi Torihama**, Kyoto (JP)

(73) Assignees: **COLGATE-PALMOLIVE COMPANY**, New York, NY (US); **OMRON HEALTHCARE CO., LTD.**, Kyoto (JP)

(**) Term: **14 Years**

(21) Appl. No.: **29/425,946**

(22) Filed: **Jun. 28, 2012**

(30) **Foreign Application Priority Data**

Dec. 28, 2011 (JP) 2011-030439

(51) **LOC (10) Cl.** **04-02**

(52) **U.S. Cl.**
USPC **D4/101**

(58) **Field of Classification Search**
USPC D4/101, 104-112, 114; 15/110, 167.1, 15/167.2, 176.1, 176.6, 188; 132/308-311; 601/139, 141, 142
CPC A46B 5/0095; A46B 7/04; A46B 7/042; A46B 7/044; A46B 9/04; A46B 2200/1066; A61C 17/16; A61C 17/22; A61C 17/222; A61C 17/32; A61C 17/34; A61C 17/3409; A61C 17/3445; A61C 17/3454; A61C 17/3463; A61C 17/3481

See application file for complete search history.

(56) **References Cited**

U.S. PATENT DOCUMENTS

3,156,936 A * 11/1964 Hartman 15/22.1
5,924,816 A * 7/1999 Schuele 403/371

(Continued)

FOREIGN PATENT DOCUMENTS

EM 000166285-0001 7/2004
EM 000366968-0001 8/2005

(Continued)

OTHER PUBLICATIONS

CN 300711041 Registered Design, (Huang, Bazi) Nov. 28, 2007, [online], [retrieved on Jun. 15, 2014] Retrieved from the Questel Intellectual Property Portal Design Database using the Internet: <URL: http://www.orbit.com>.*

(Continued)

Primary Examiner — Melanie H Tung

Assistant Examiner — Lavone D Tabor

(74) *Attorney, Agent, or Firm* — Ryan M. Flandro

(57) **CLAIM**

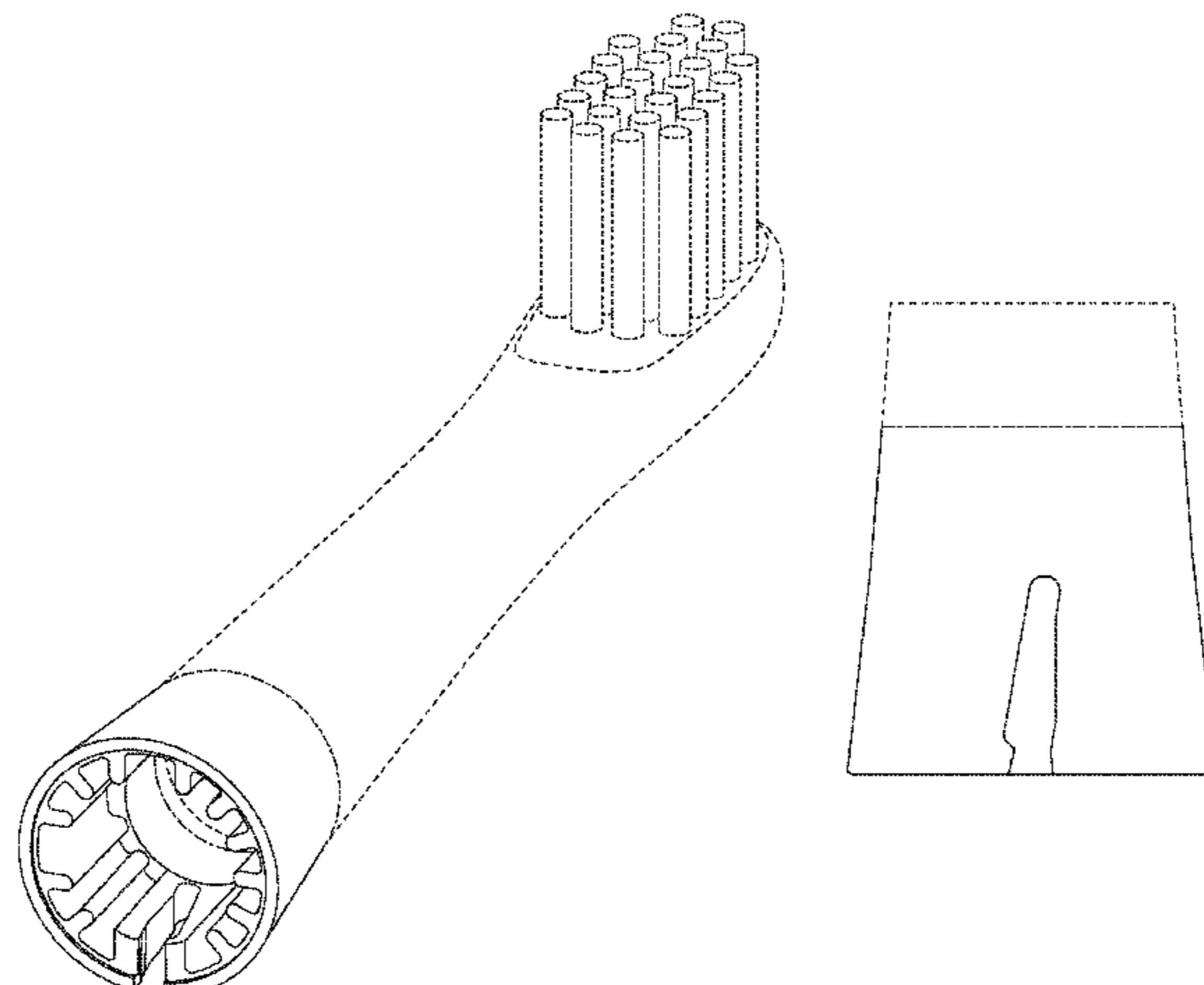
The ornamental design for a brush head for electric toothbrush, as shown and described.

DESCRIPTION

FIG. 1 is a front elevation view of a brush head for electric toothbrush according to the new design; FIG. 2 is a rear elevation view thereof; FIG. 3 is an enlarged top view thereof; FIG. 4 is an enlarged bottom view thereof; FIG. 5 is a right side elevation view thereof; FIG. 6 is a left side elevation view thereof; FIG. 7 is a front perspective view thereof, shown on a scale greater than that shown in FIG. 1 but less than that shown in FIGS. 3 and 4; FIG. 8 is rear perspective view of the design as shown in FIG. 7; FIG. 9 is rear view thereof, shown on a scale greater than that shown in FIG. 7 but less than that shown in FIGS. 3 and 4 and with the environmental portion of the brush head being partially shown; FIG. 10 is a bottom view of the design as shown in FIG. 9, but shown on a scale greater than that shown in FIG. 9 and less than that shown in FIGS. 3 and 4; FIG. 11 is a front perspective view of the design as shown in FIG. 10; and, FIG. 12 is a rear perspective view of the design as shown in FIG. 10.

The dash-dot-dash broken lines represent the bounds of the claim and form no part thereof. The dashed broken lines illustrate portions of the brush head that form no part of the claimed design.

1 Claim, 7 Drawing Sheets



(56)

References Cited

U.S. PATENT DOCUMENTS

D502,320 S 3/2005 Fattori et al.
D577,199 S 9/2008 Zhuan
D632,894 S 2/2011 Shigeno et al.

FOREIGN PATENT DOCUMENTS

EM 000149562-0008 12/2005
EM 001078414-0007 5/2009
EM 001148209-0005 9/2010
EM 001816745-0001 2/2011
JP 1223242 11/2004
KR 30-0439339 2/2007

RU 75347 7/2010
RU 76231 10/2010
RU 76847 12/2010
RU 79519 9/2011
WO DM/065429 11/2004
WO DM/072551 11/2010
WO DM/076472 11/2011

OTHER PUBLICATIONS

CN 300776830 Registered Design, (Omron Healthcare Co, Ltd.)
May 7, 2008, [online], [retrieved on Apr. 28, 2012] Retrieved from
the Questel Intellectual Property Portal Design Database using the
Internet: <URL: <http://www.orbit.com>>.*

* cited by examiner

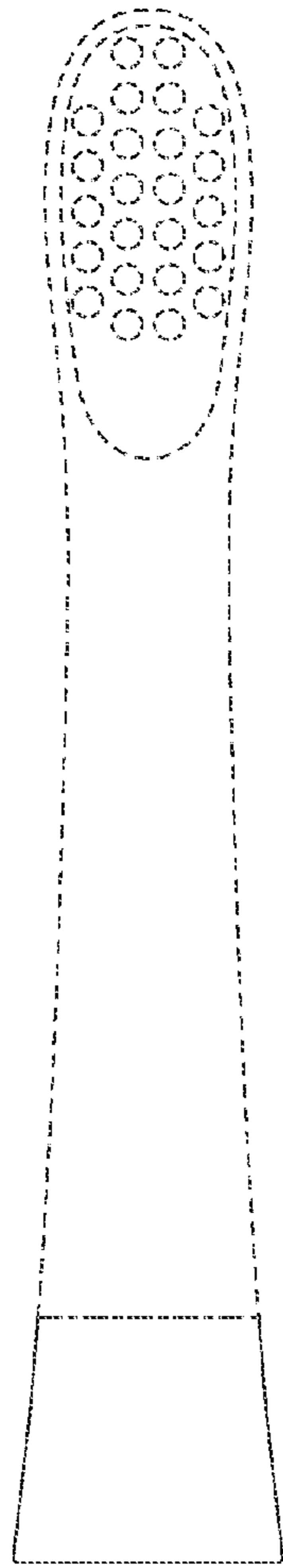


FIG. 1

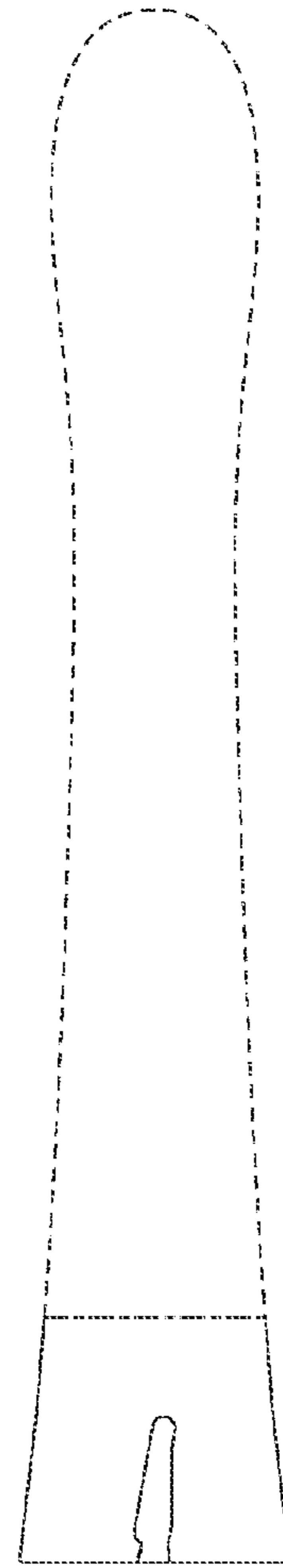


FIG. 2

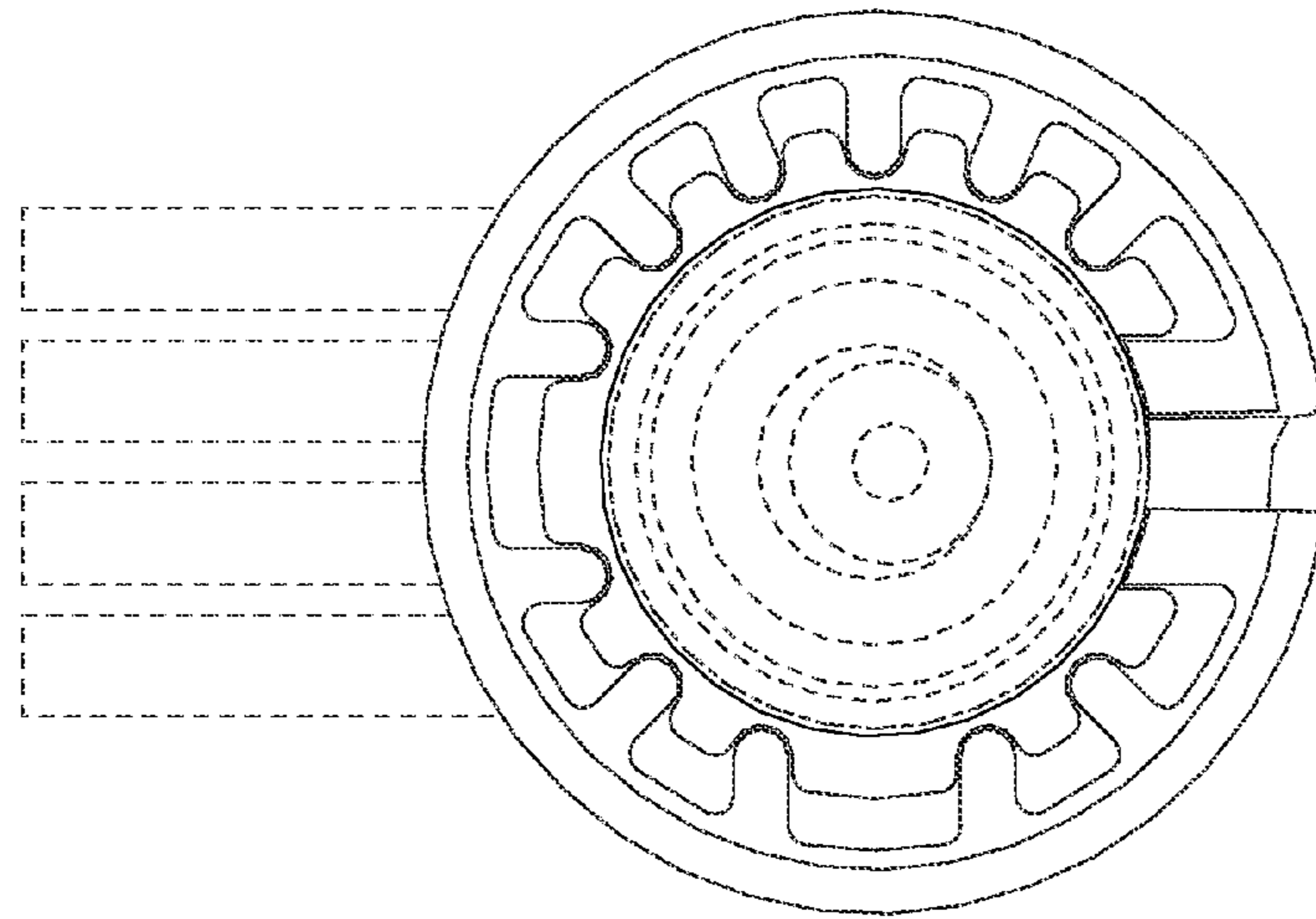


FIG. 4

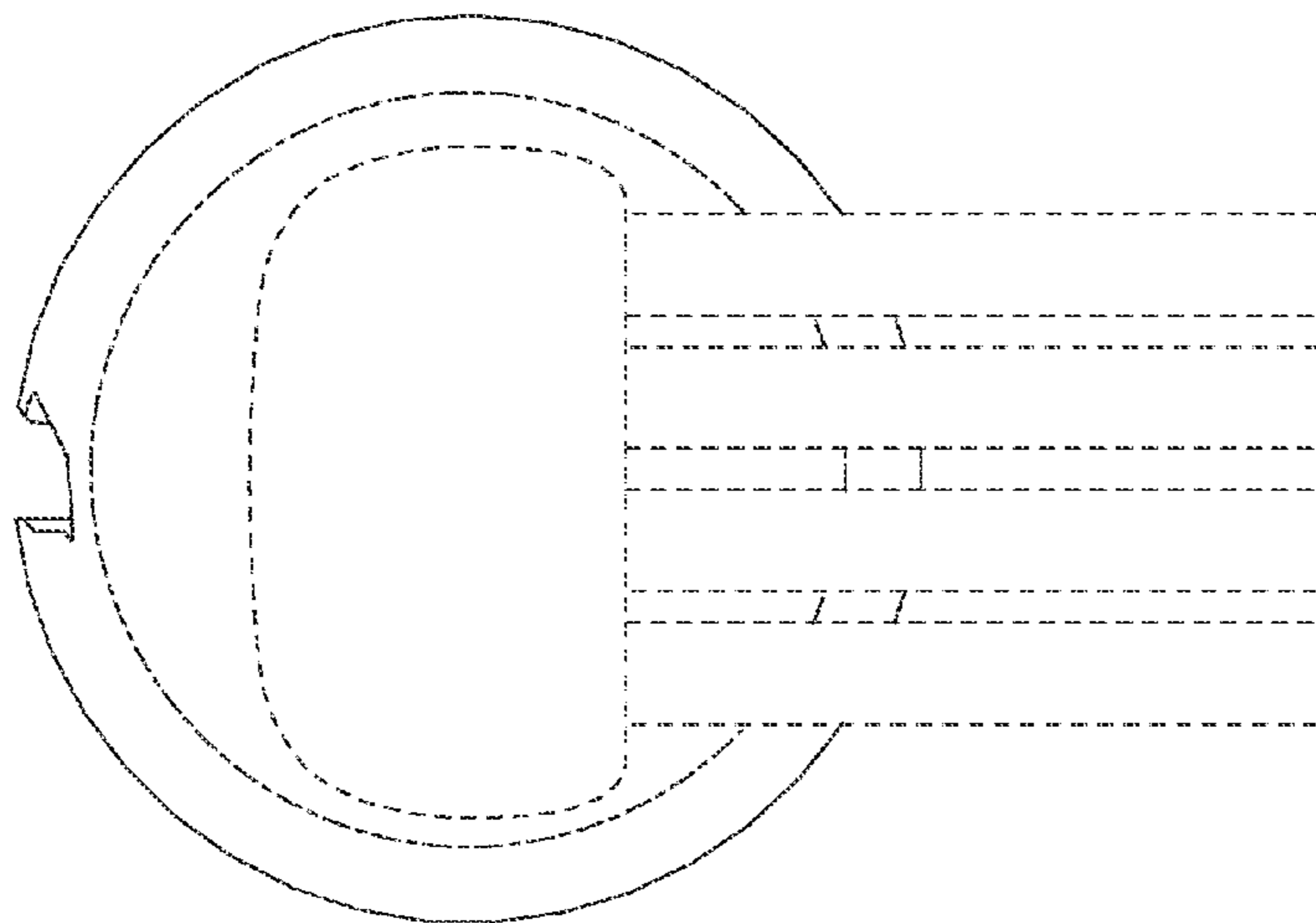


FIG. 3

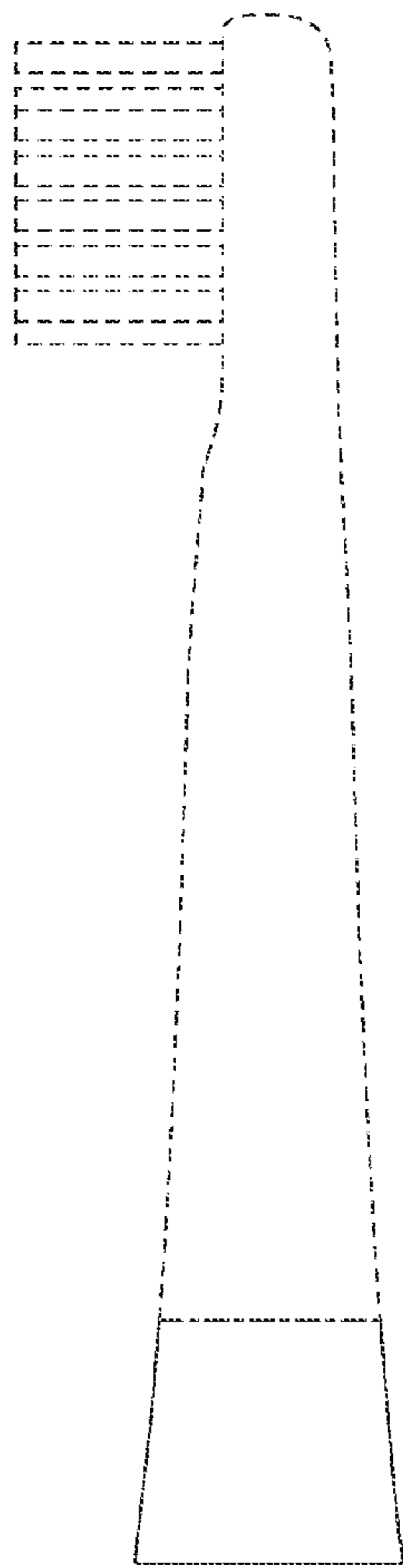


FIG. 5

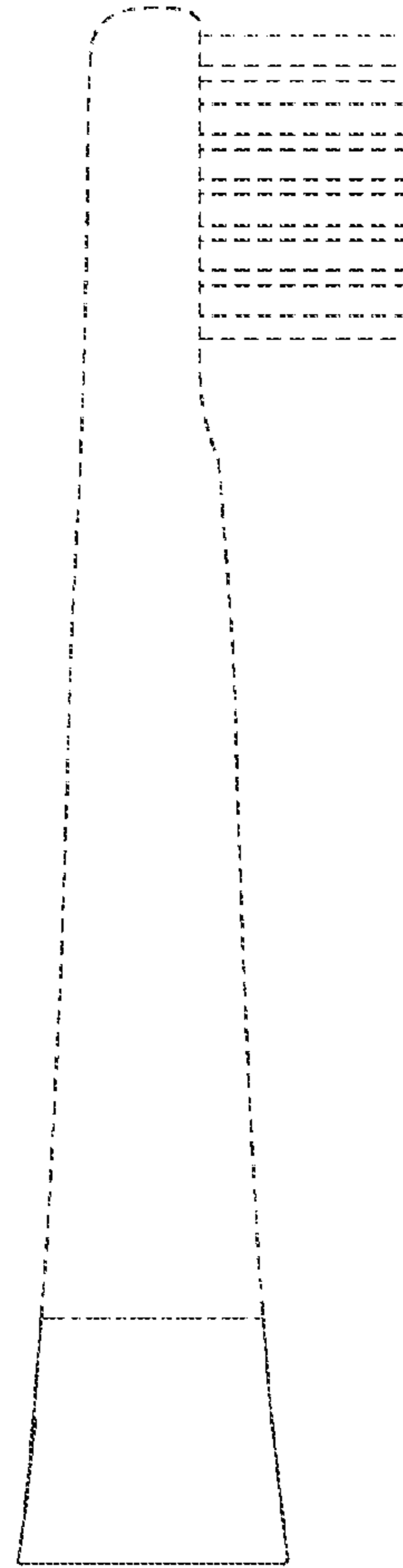


FIG. 6

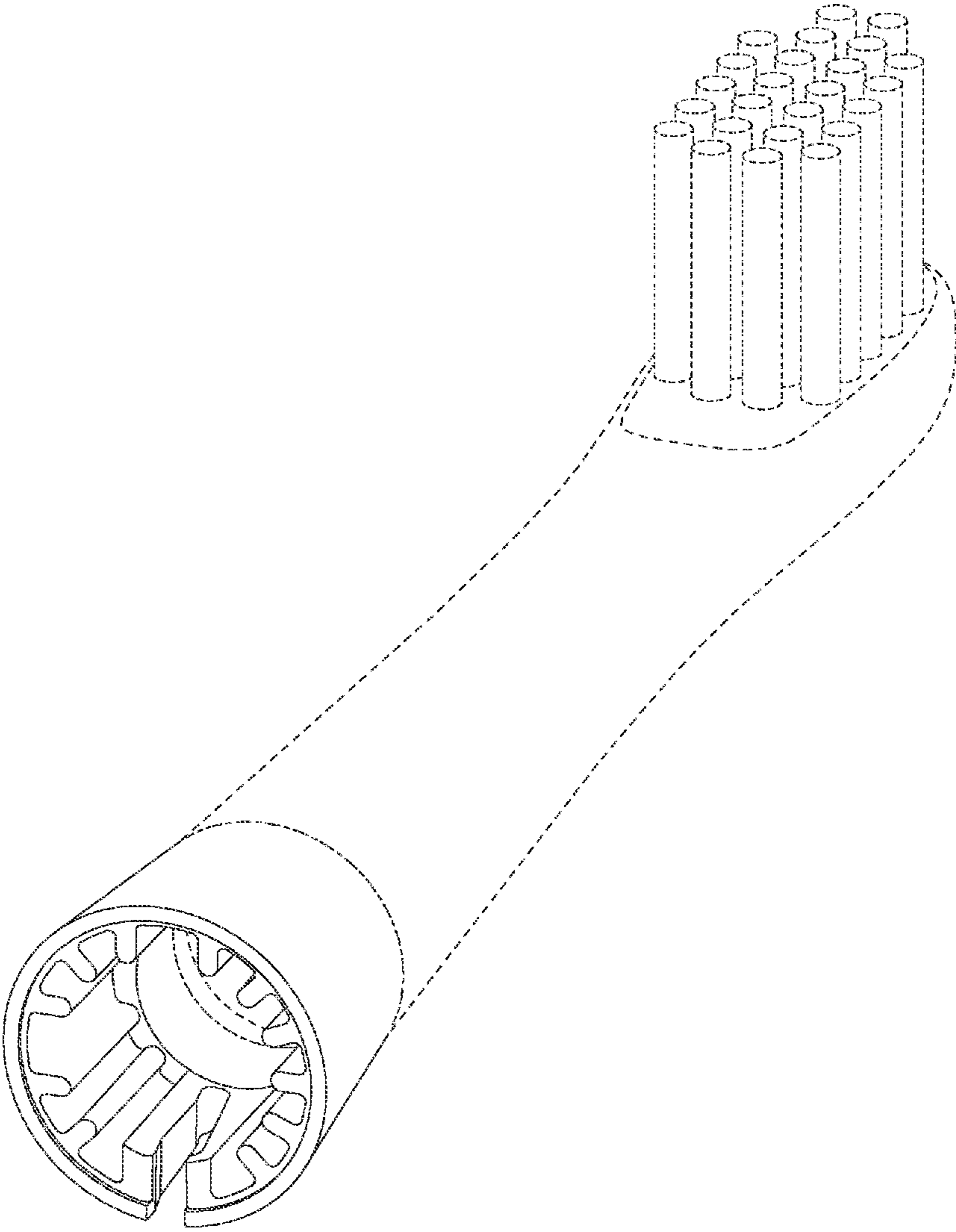


FIG. 7

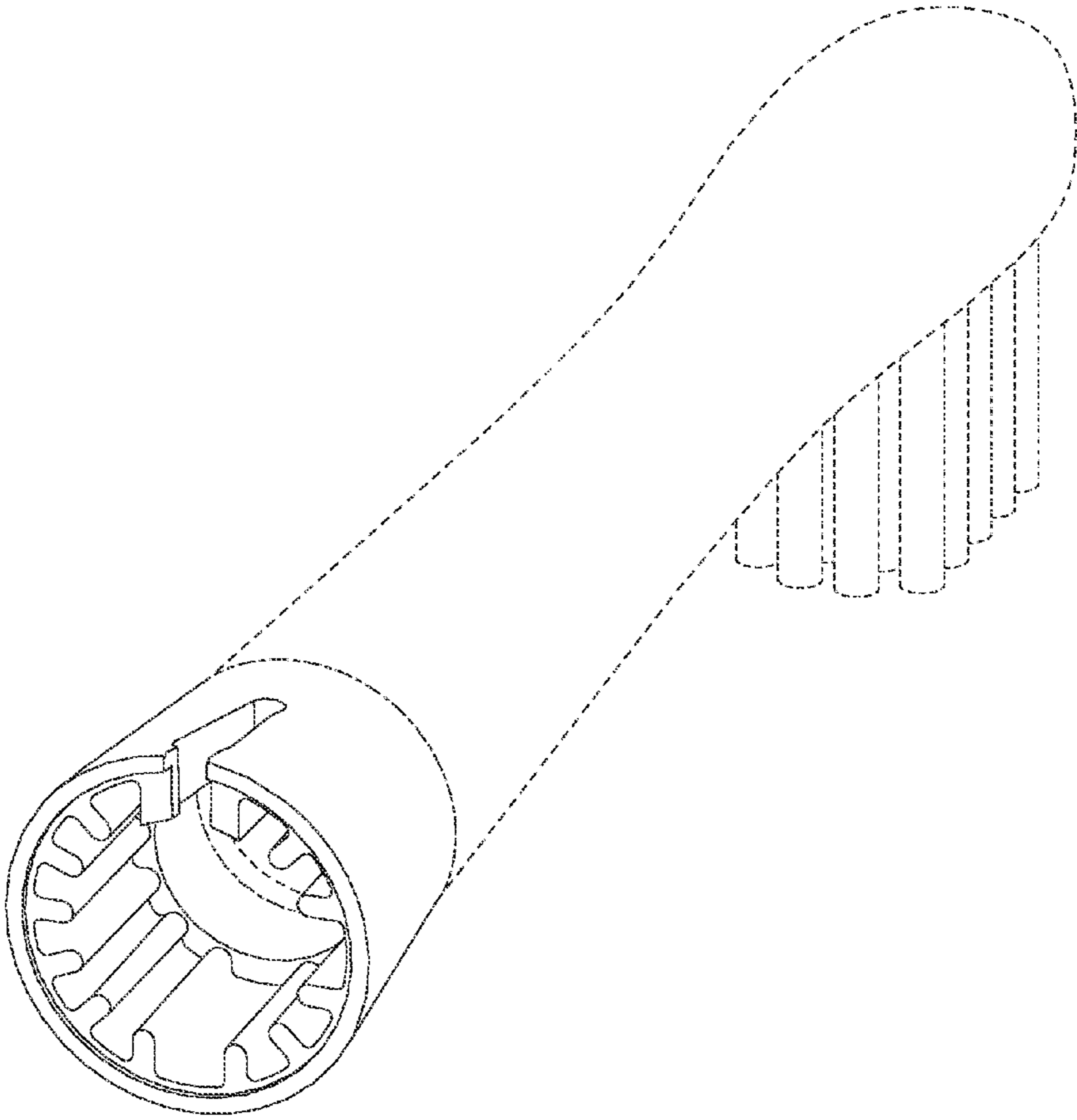


FIG. 8

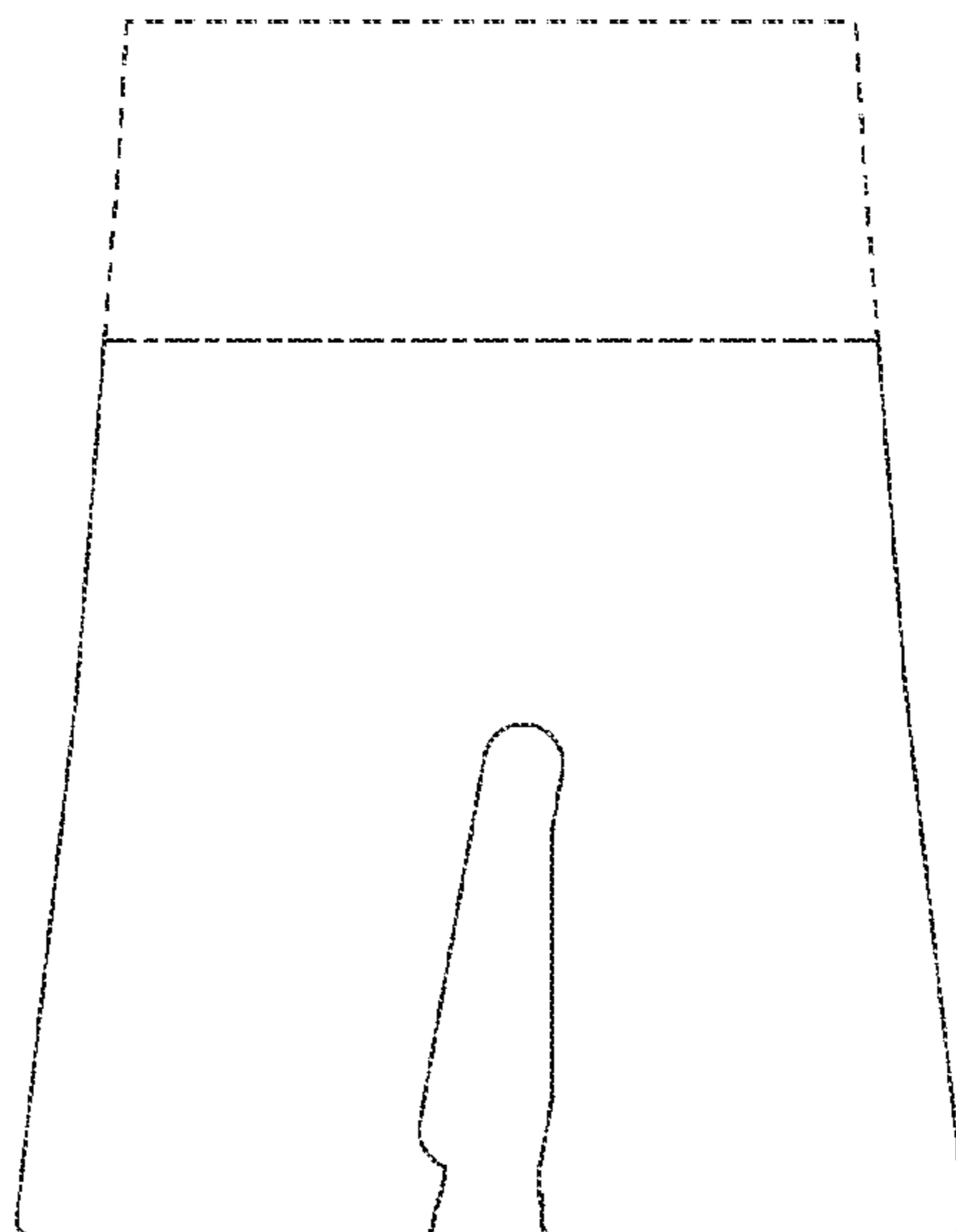


FIG. 9

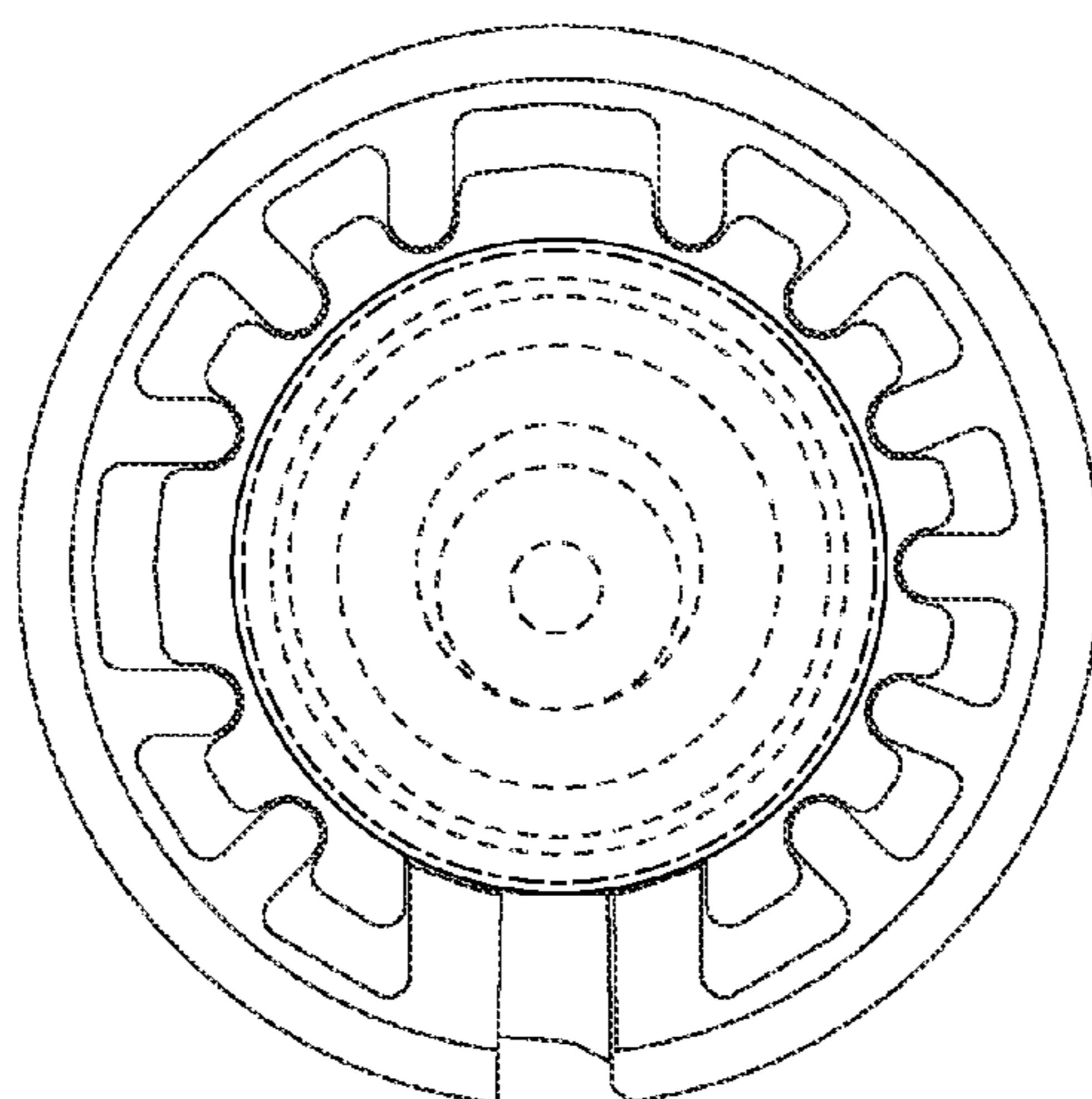


FIG. 10

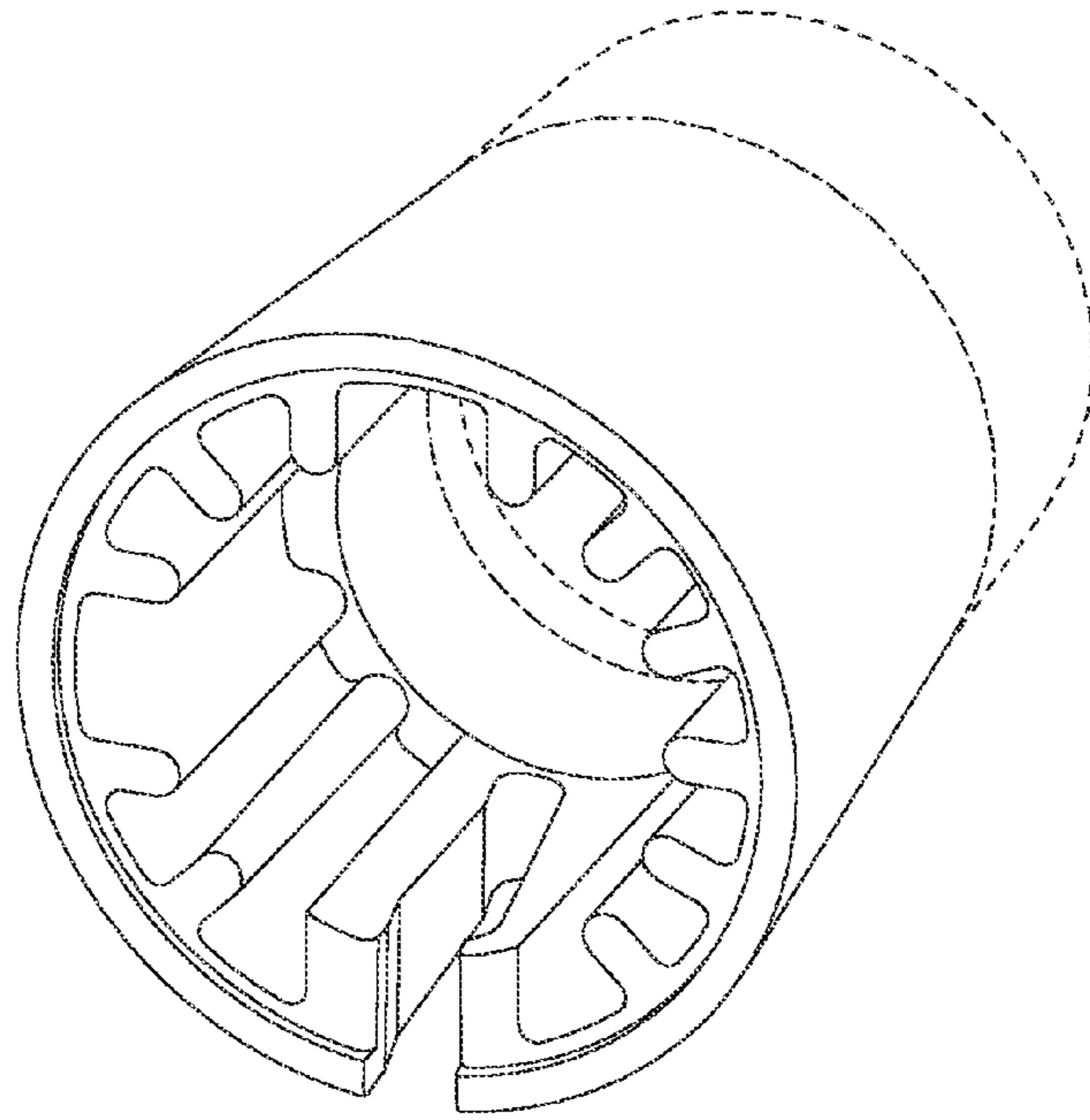


FIG. 11

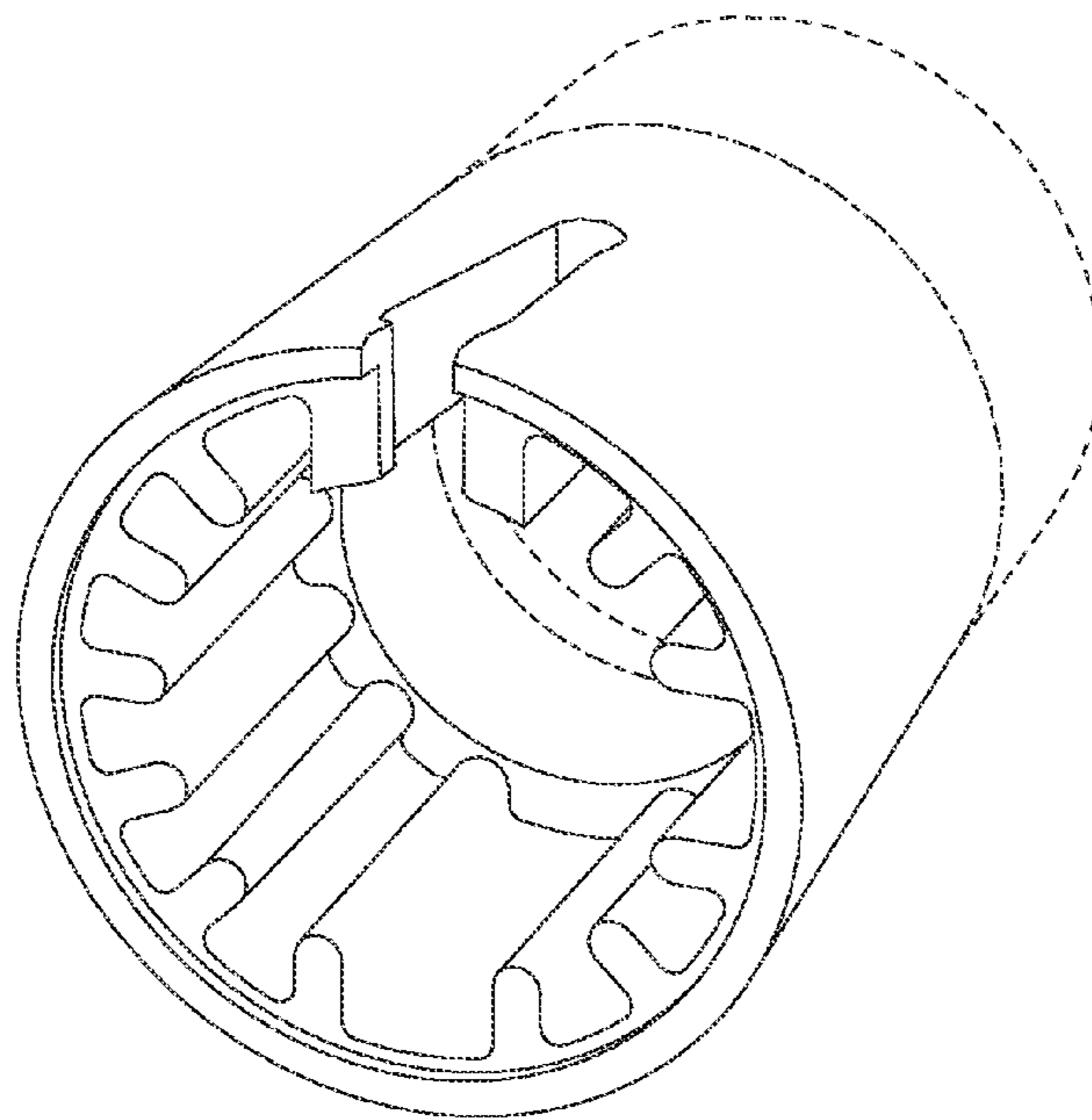


FIG. 12