



US00D734608S

(12) **United States Design Patent**  
**Cosson**

(10) **Patent No.:** **US D734,608 S**  
(45) **Date of Patent:** **\*\* Jul. 21, 2015**

(54) **STORAGE CABINET**

(71) Applicant: **Societe BIC**, Clichy (FR)

(72) Inventor: **Didier Cosson**, Cergy (FR)

(73) Assignee: **Societe BIC**, Clichy (FR)

(\*\*) Term: **14 Years**

(21) Appl. No.: **29/457,708**

(22) Filed: **Jun. 12, 2013**

(30) **Foreign Application Priority Data**

Dec. 12, 2012 (FR) ..... 12 5584

(51) **LOC (10) Cl.** ..... **03-01**

(52) **U.S. Cl.**  
USPC ..... **D3/276; D3/279**

(58) **Field of Classification Search**  
USPC ..... D3/273, 276, 279, 289, 301, 283, 272,  
D3/278, 274, 281, 321, 902; D6/670;  
190/18 A, 100-127; 206/286-287.1;  
D34/25; 312/244, 249.8

CPC ..... A45C 7/00; A45C 5/14; A45C 13/28;  
A45C 5/03

See application file for complete search history.

(56) **References Cited**

**U.S. PATENT DOCUMENTS**

D94,708 S \* 2/1935 Piffath ..... D3/284  
D94,709 S \* 2/1935 Piffath ..... D6/443  
D202,602 S \* 10/1965 Armbruster ..... D3/263  
D264,896 S \* 6/1982 Perkins ..... D3/283  
D311,622 S \* 10/1990 Swig ..... D34/25  
D327,353 S \* 6/1992 Shetterly ..... D34/25  
5,215,318 A \* 6/1993 Capraro ..... 280/1.5

D349,989 S \* 8/1994 Shetterly ..... D34/25  
D357,600 S \* 4/1995 Chen ..... D6/443  
D374,773 S \* 10/1996 Domotor ..... D3/279  
D441,161 S \* 4/2001 Shetterly ..... D34/25  
D476,153 S \* 6/2003 Sadr et al. .... D3/279  
6,609,598 B2 \* 8/2003 Hsu ..... 190/103  
7,306,297 B2 \* 12/2007 Woody ..... 312/249.8  
D565,294 S \* 4/2008 Limber ..... D3/269  
7,500,547 B2 \* 3/2009 Bettua et al. .... 190/115  
7,766,161 B2 \* 8/2010 Good ..... 206/349  
D628,384 S \* 12/2010 McCarthy ..... D3/289  
D647,297 S \* 10/2011 Chen ..... D3/273  
D662,319 S \* 6/2012 Collins et al. .... D3/254  
D672,164 S \* 12/2012 Christopher ..... D6/667  
D699,441 S \* 2/2014 Leblanc ..... D3/321  
2011/0162931 A1 \* 7/2011 Collins et al. .... 190/8

\* cited by examiner

*Primary Examiner* — Jennifer Rivard

*Assistant Examiner* — April Rivas

(74) *Attorney, Agent, or Firm* — Ohlandt, Greeley, Ruggiero & Perle, L.L.P.

(57) **CLAIM**

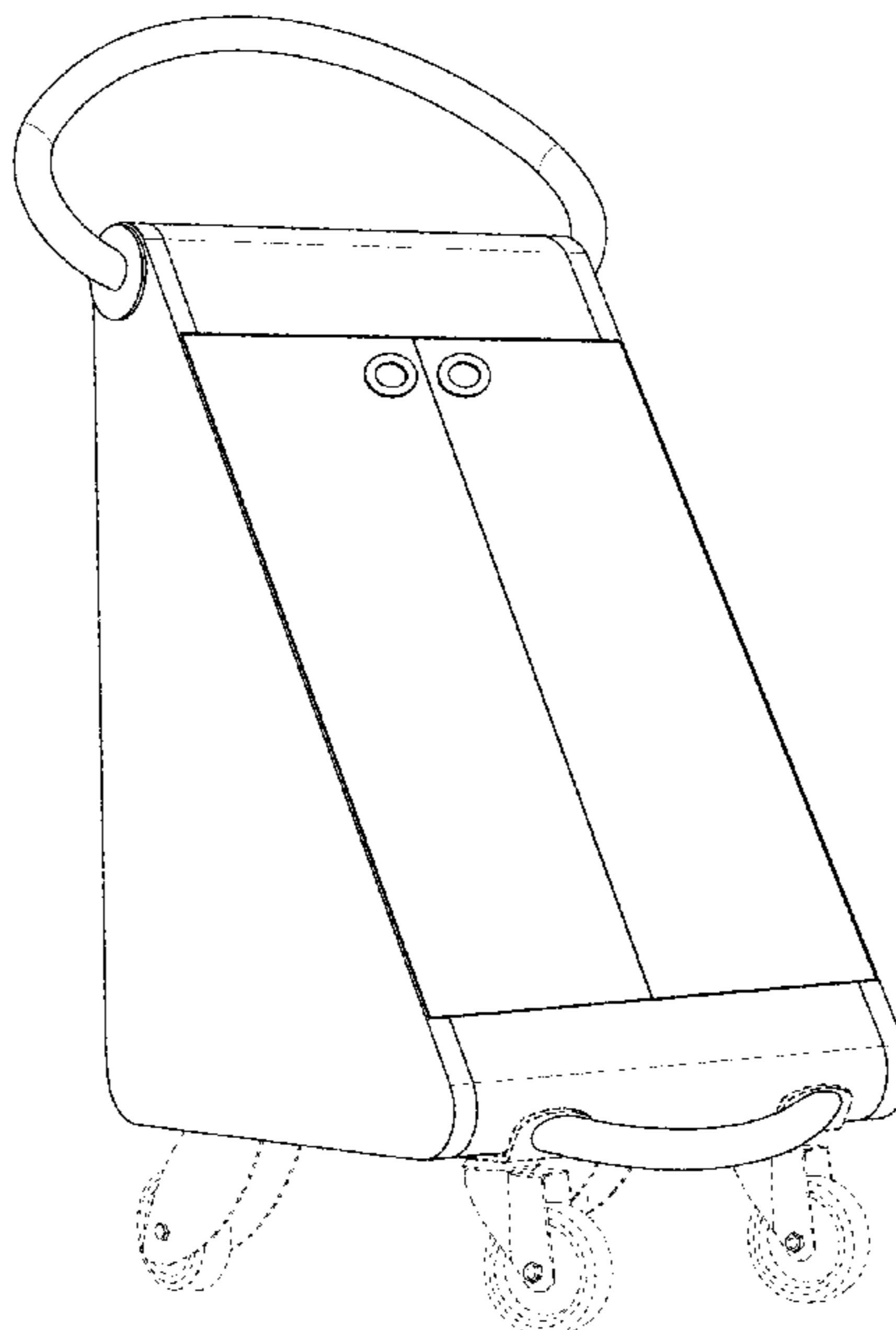
The ornamental design for a storage cabinet, as shown and described.

**DESCRIPTION**

FIG. 1 is a perspective view of an ornamental design for a storage cabinet to the present invention;  
FIG. 2 is a top view thereof;  
FIG. 3 is a front elevational view thereof;  
FIG. 4 is a rear elevational view thereof;  
FIG. 5 is a right side view thereof;  
FIG. 6 is a left side view thereof; and,  
FIG. 7 is a bottom view thereof.

The broken lines illustrate portions of the storage cabinet and form no part of the claimed design.

**1 Claim, 7 Drawing Sheets**



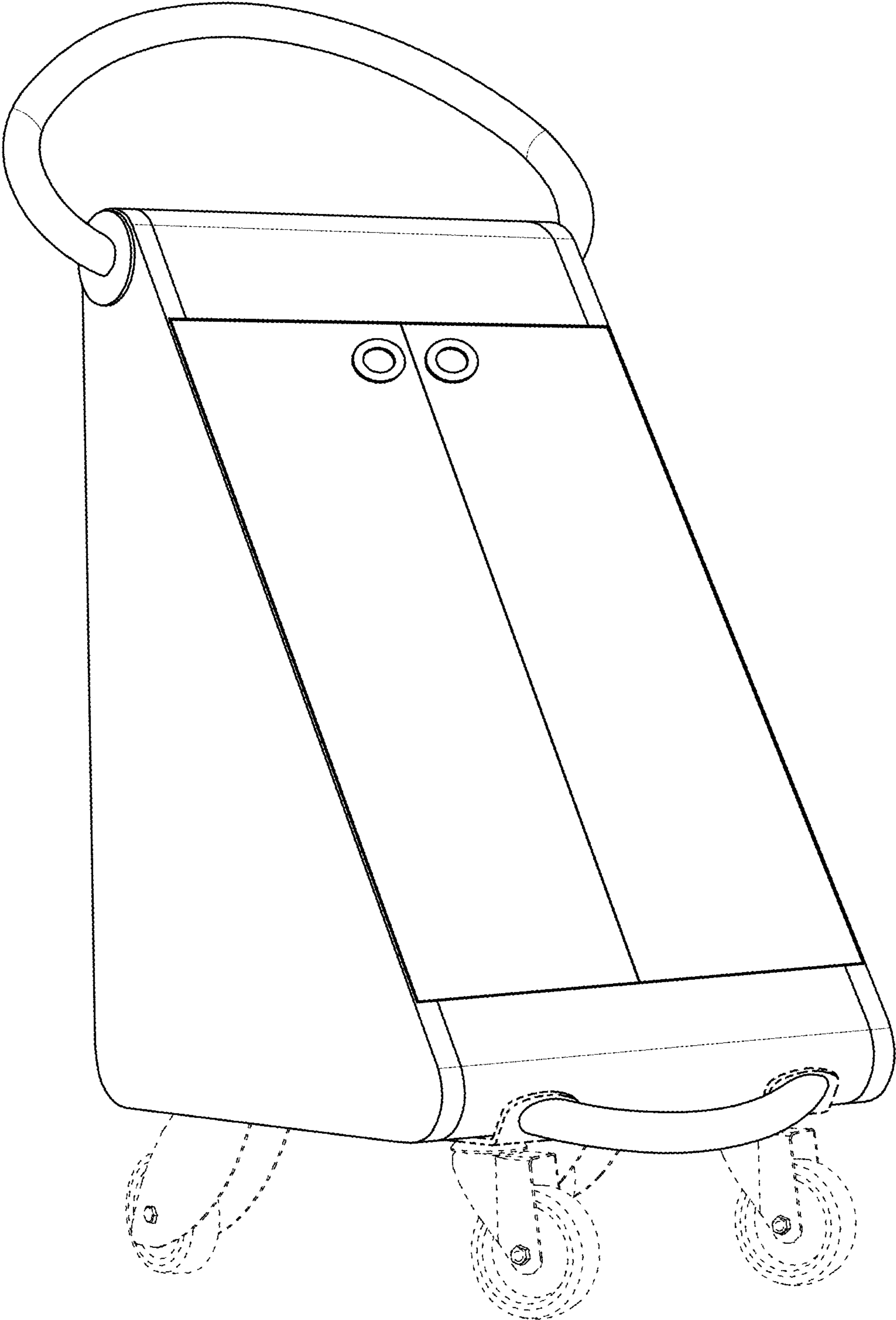


FIG. 1

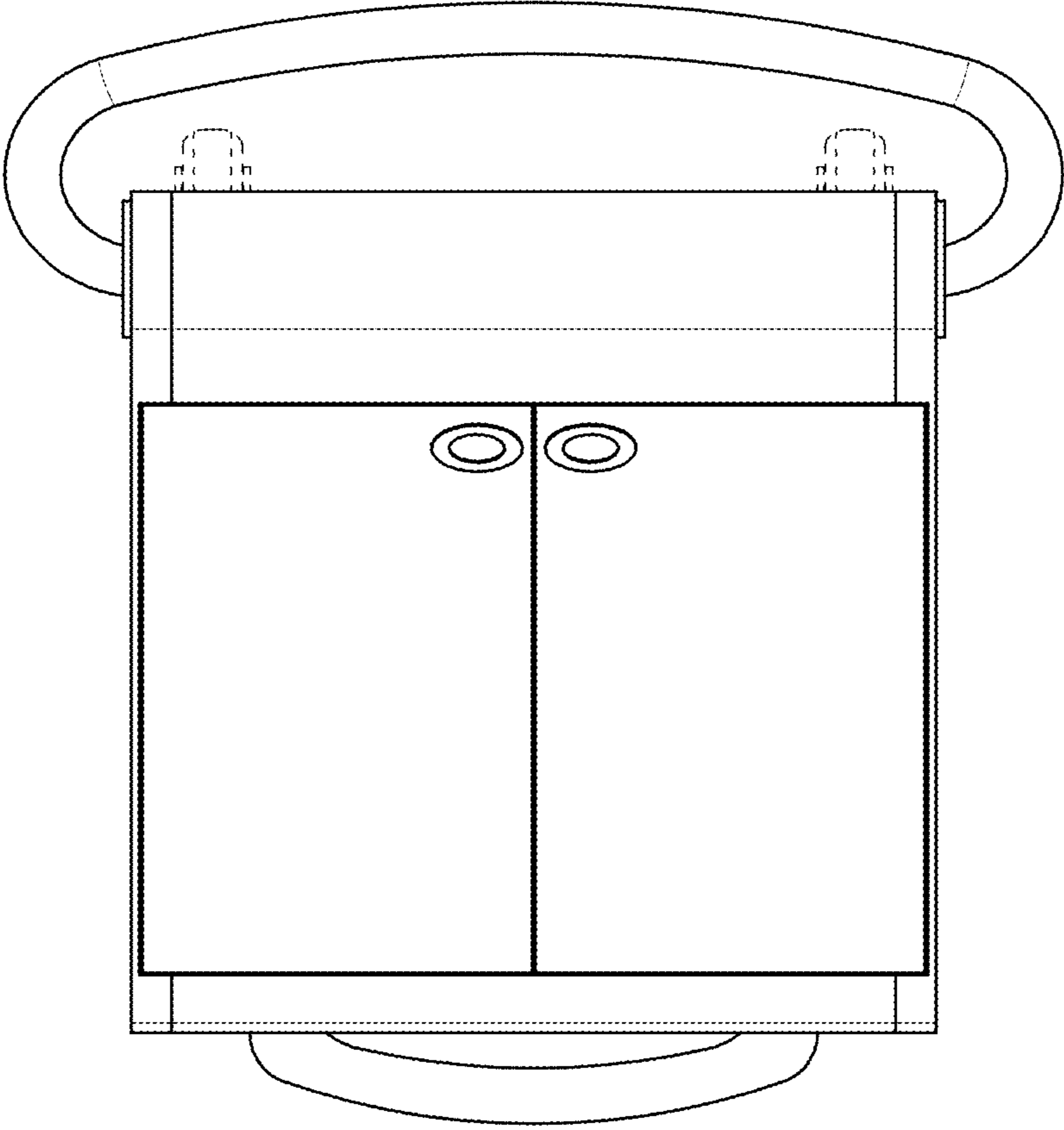


FIG. 2

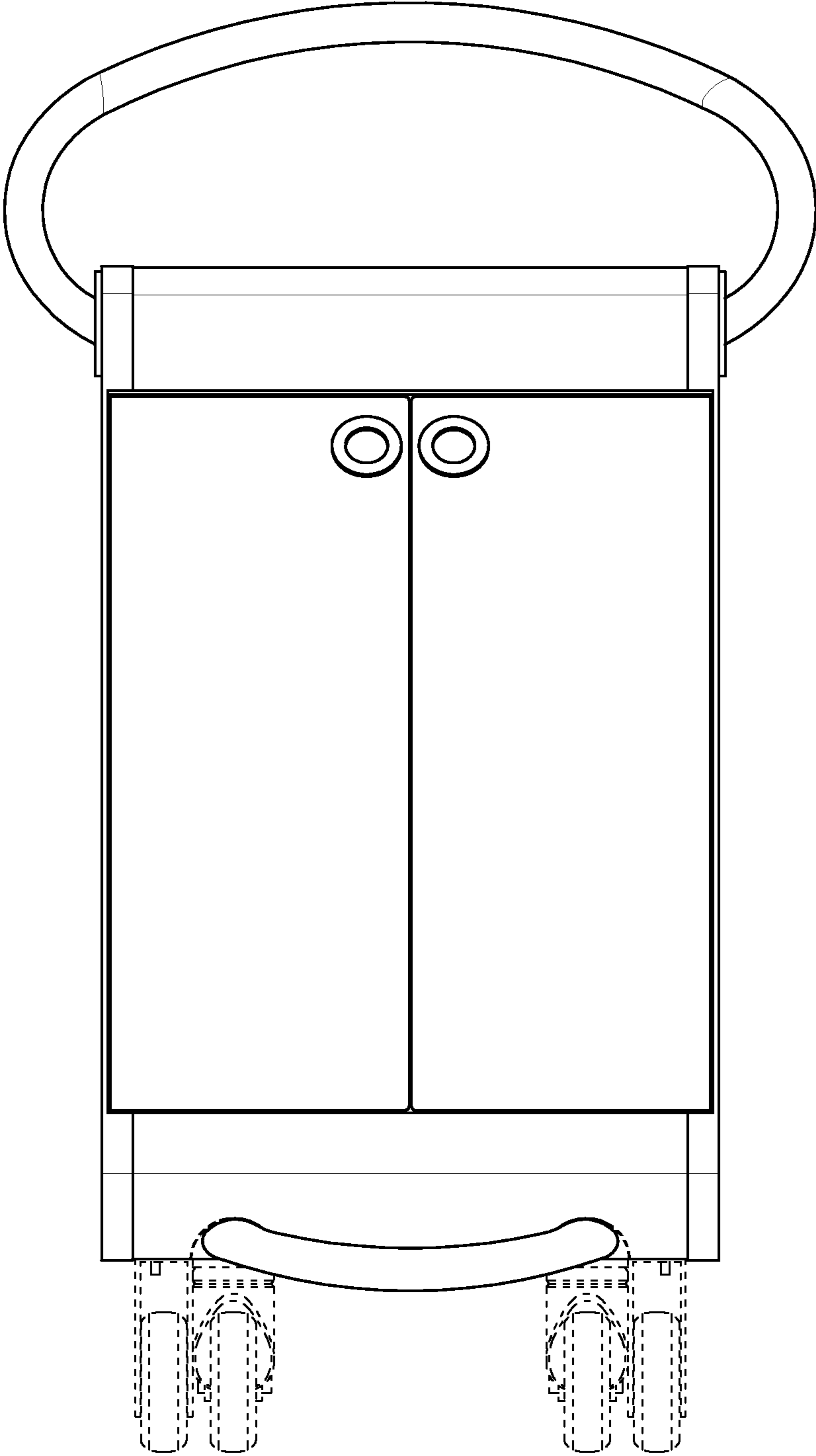


FIG. 3

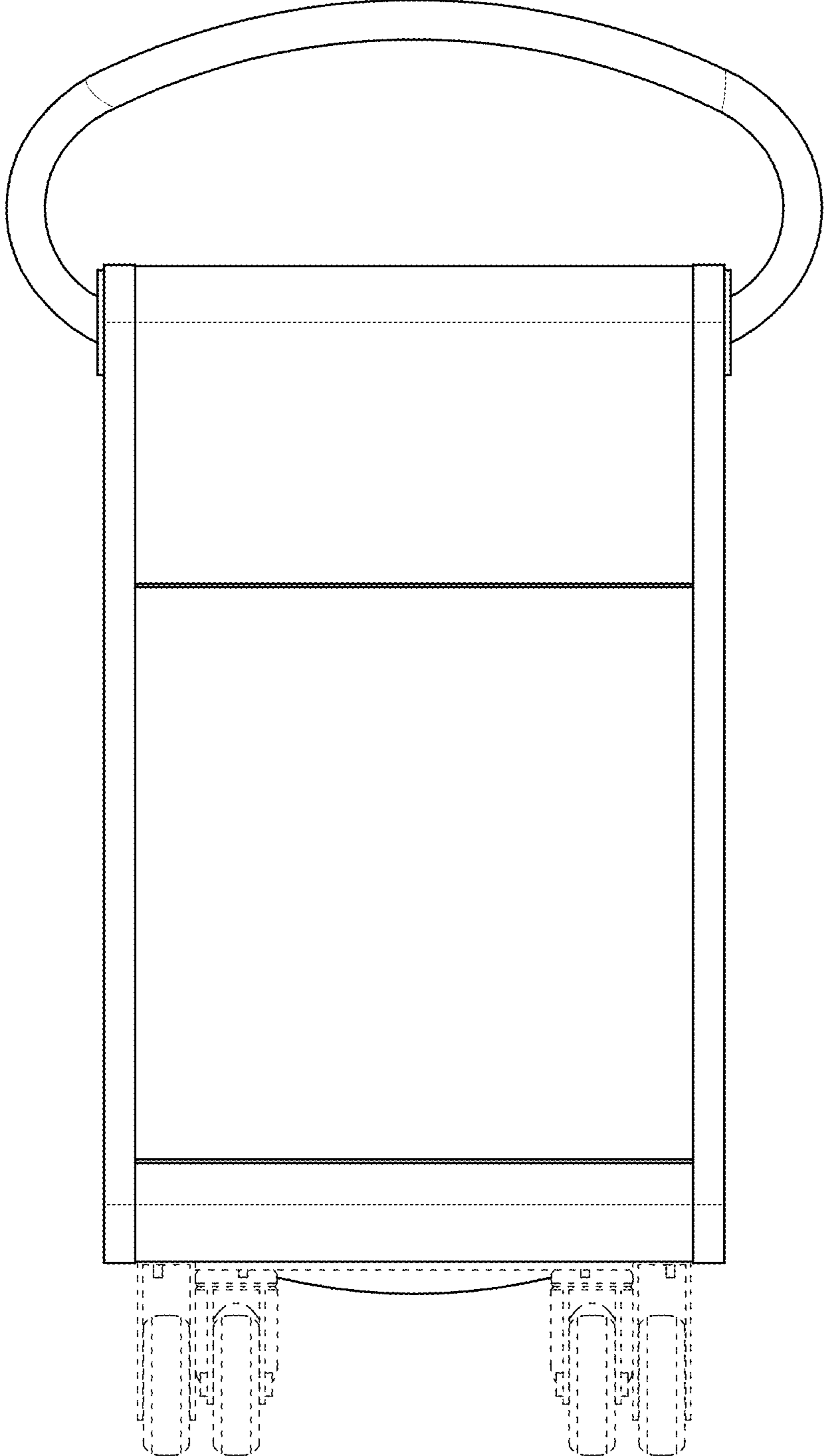
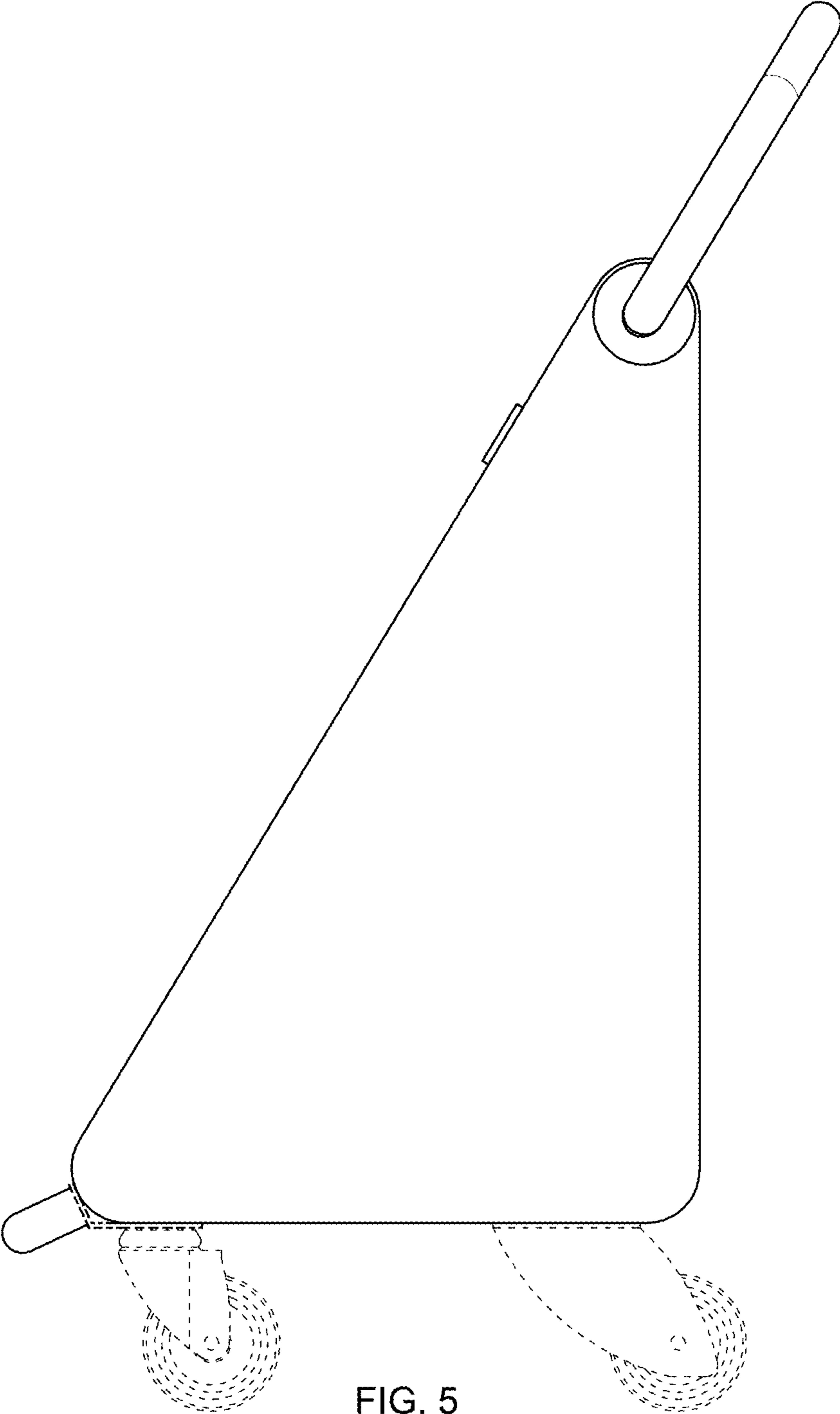


FIG. 4



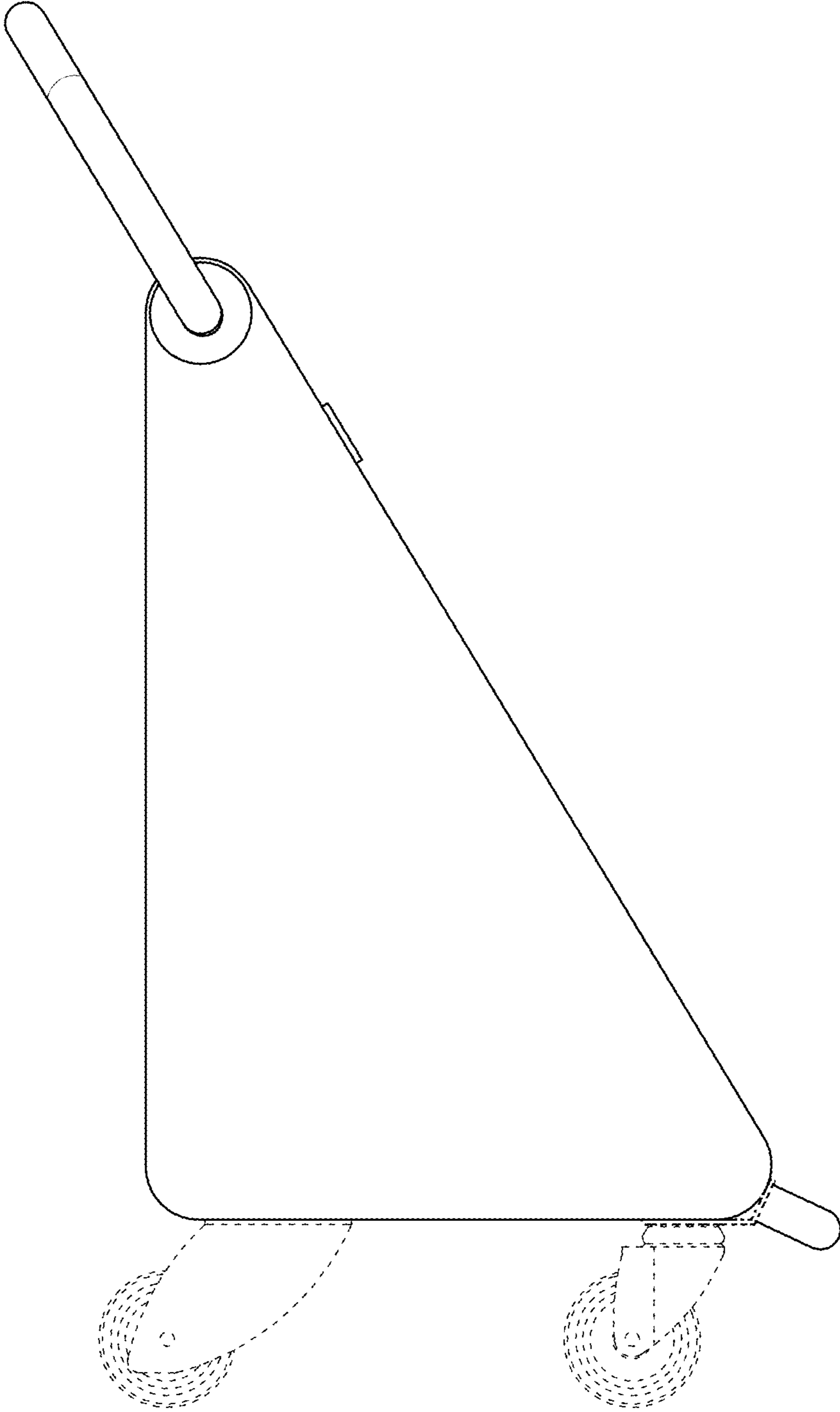


FIG. 6

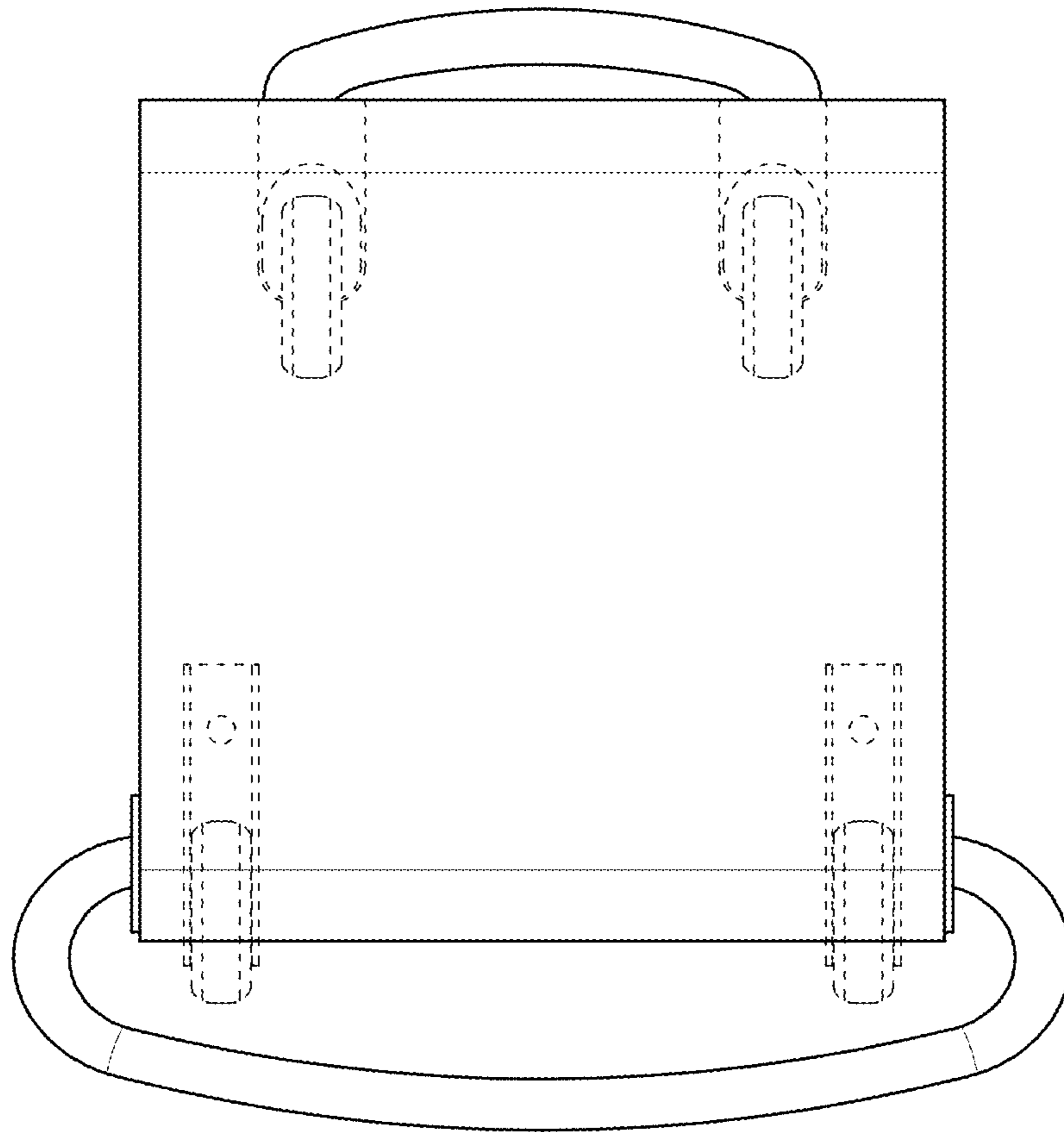


FIG. 7