



US00D734602S

(12) **United States Design Patent**
Blankinship et al.

(10) **Patent No.:** **US D734,602 S**
(45) **Date of Patent:** **** Jul. 21, 2015**

(54) **FOOTWEAR GRIP**

(71) Applicant: **Genesco Licensed Brands**, Nashville,
TN (US)

(72) Inventors: **James Michael Blankinship**, Nashville,
TN (US); **Caitlin Rose Holliday**,
Murfreesboro, TN (US)

(73) Assignee: **Genesco Licensed Brands**, Nashville,
TN (US)

(**) Term: **14 Years**

(21) Appl. No.: **29/481,764**

(22) Filed: **Feb. 10, 2014**

(51) **LOC (10) Cl.** **02-04**

(52) **U.S. Cl.**
USPC **D2/958**; D2/951; D2/960

(58) **Field of Classification Search**
USPC D2/902, 906, 908, 916, 918, 925,
D2/946-962, 977; 36/3 B, 22 R, 24.5, 25 R,
36/28, 32 R, 34 R, 59 C, 67 A, 103
CPC A43B 13/00; A43B 13/02; A43B 13/023;
A43B 13/026; A43B 13/04; A43B 13/08;
A43B 13/10; A43B 13/12; A43B 13/14;
A43B 13/141; A43B 13/143; A43B 13/16;
A43B 13/18; A43B 13/187; A43B 13/189;
A43B 13/20; A43B 13/22; A43B 13/223;
A43B 13/24; A43B 13/28; A43B 13/30;
A43B 13/32; A43B 13/34; A43B 13/36
See application file for complete search history.

(56) **References Cited**

U.S. PATENT DOCUMENTS

D76,528 S * 10/1928 Frey D2/954
D90,463 S * 8/1933 Van Cleef D2/949
D198,123 S * 5/1964 Grant D2/962

D263,645 S * 4/1982 Mastrantuone D2/958
D273,245 S * 4/1984 Tonkel D2/958
4,535,553 A * 8/1985 Derderian et al. 36/28
D306,515 S * 3/1990 Chang D2/961
D332,862 S * 2/1993 Kiyosawa et al. D2/959
5,353,526 A * 10/1994 Foley et al. 36/92
D359,385 S * 6/1995 Meraw D2/958
6,029,377 A * 2/2000 Niikura et al. 36/67 R
D450,432 S * 11/2001 Savoie D2/962
D450,436 S * 11/2001 Savoie D2/962
D451,265 S * 12/2001 Savoie D2/962
D564,191 S * 3/2008 Jensen D2/958
D569,594 S * 5/2008 Horne et al. D2/958
D571,543 S * 6/2008 Sungadi D2/959
D608,991 S * 2/2010 Lamont D2/951
7,797,856 B2 * 9/2010 Andrews et al. 36/30 R
D656,717 S * 4/2012 Abramowitz D2/946
8,375,604 B2 * 2/2013 Eder et al. 36/134
D683,528 S * 6/2013 Sungadi D2/957
D689,680 S * 9/2013 Chang D2/960
8,631,590 B2 * 1/2014 Droege et al. 36/103

(Continued)

Primary Examiner — T. Chase Nelson

(74) *Attorney, Agent, or Firm* — Kilpatrick Townsend &
Stockton LLP

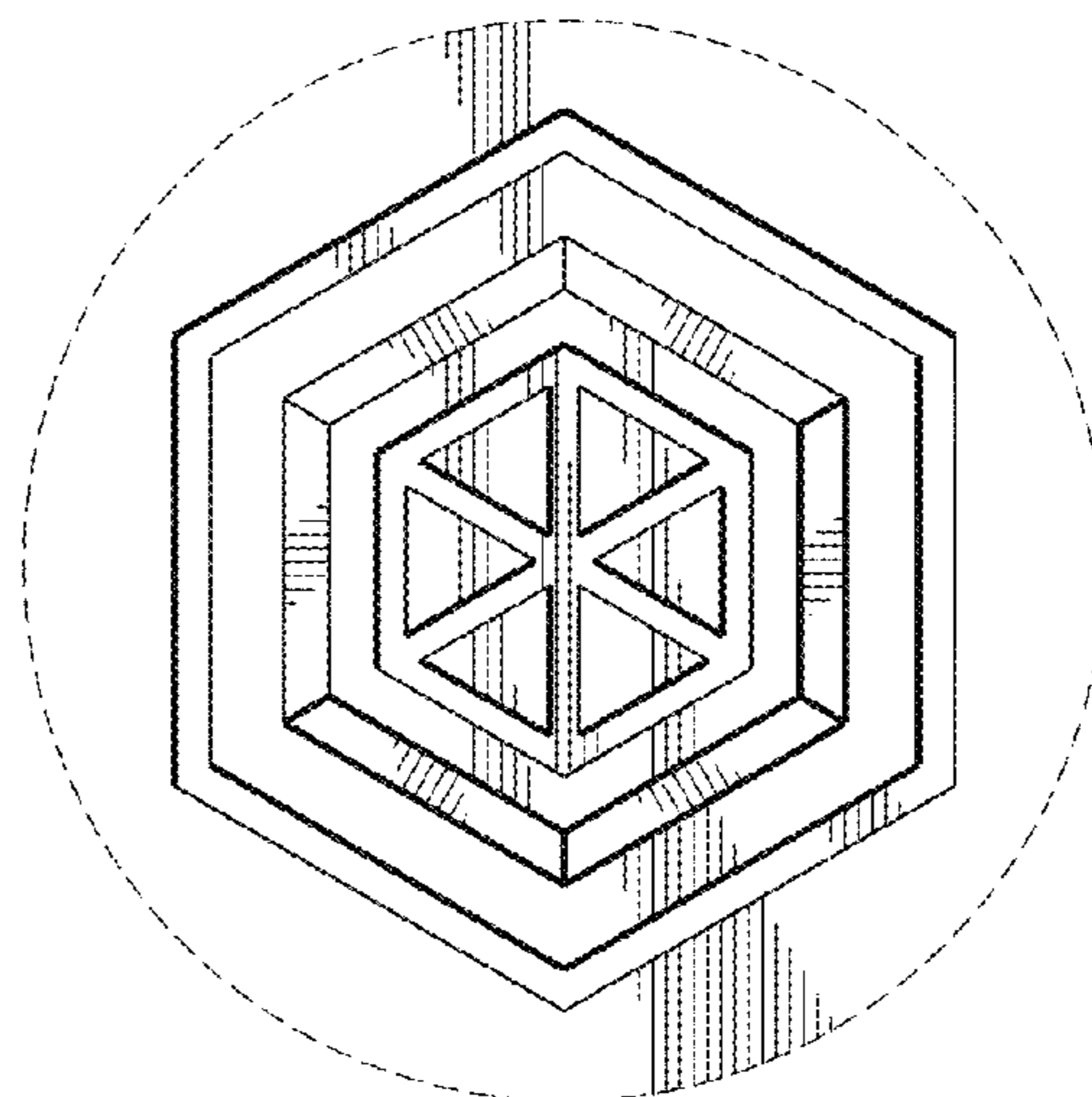
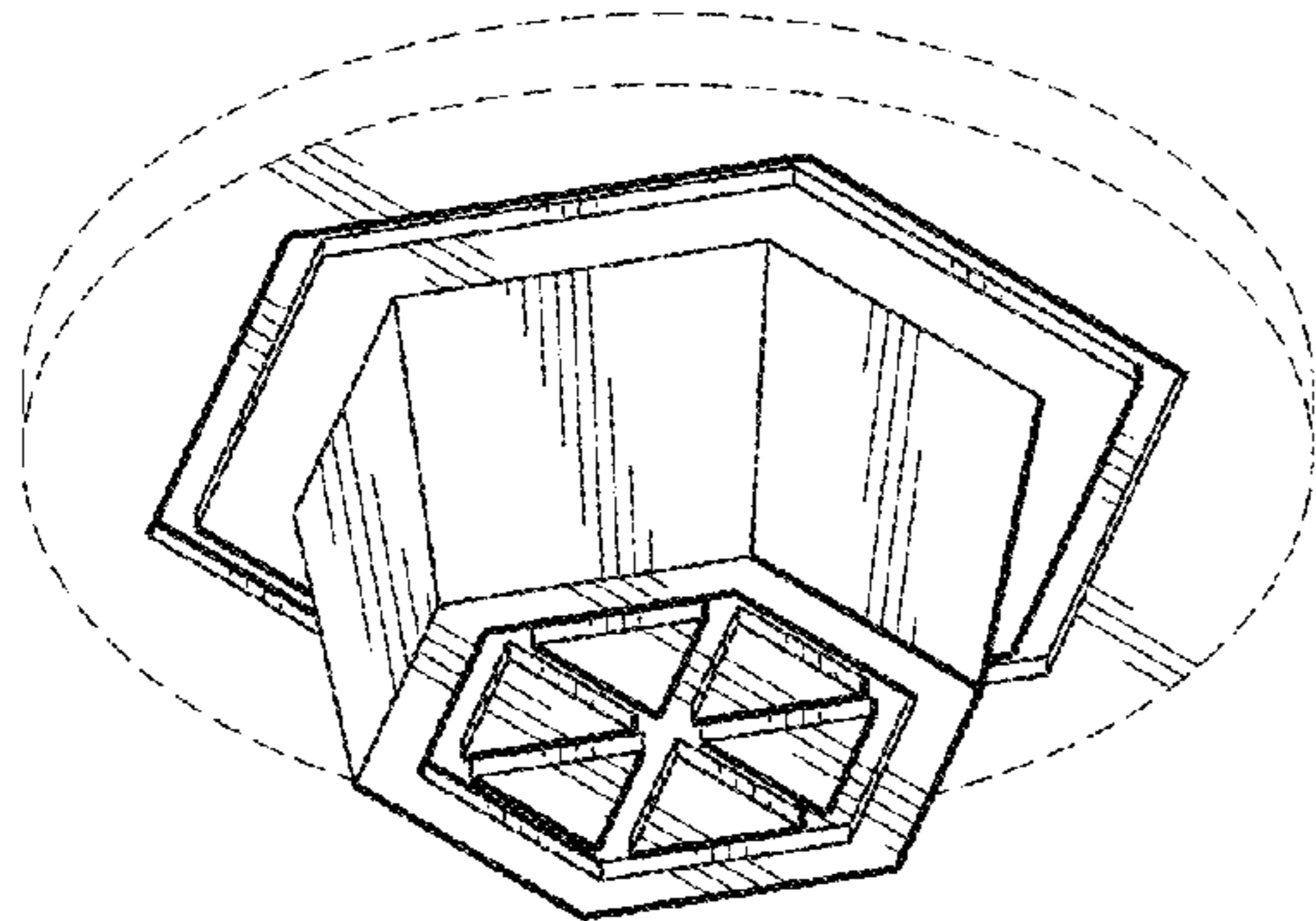
(57) **CLAIM**

The ornamental design for a footwear grip, as shown and
described.

DESCRIPTION

FIG. 1 is an isometric view of a footwear grip.
FIG. 2 is a bottom view of the footwear grip of FIG. 1.
FIG. 3 is a side view of the footwear grip of FIG. 1.
FIG. 4 is another side view of the footwear grip of FIG. 1; and,
FIG. 5 is another bottom view of the footwear grip of FIG. 1,
shown in the environment of the bottom of footwear.
The broken lines form no part of the claimed design.

1 Claim, 2 Drawing Sheets



(56)

References Cited

U.S. PATENT DOCUMENTS

D701,027 S *	3/2014	Lee	D2/958	D710,582 S *	8/2014	Chang	D2/959
D702,428 S *	4/2014	Hlavacs	D2/958	D712,126 S *	9/2014	Kuerbis	D2/958
D702,429 S *	4/2014	Earle	D2/958	D713,629 S *	9/2014	Petrie	D2/958
D704,424 S *	5/2014	Martin	D2/958	D723,777 S *	3/2015	Cin	D2/958
8,726,540 B2 *	5/2014	Crowley et al.	36/8.1	2005/0252037 A1 *	11/2005	Hofmann	36/28
D707,934 S *	7/2014	Petrie	D2/958	2006/0288612 A1 *	12/2006	Lucas et al.	36/28
D707,935 S *	7/2014	Williams, Jr.	D2/959	2008/0250673 A1 *	10/2008	Andrews et al.	36/25 R
D708,830 S *	7/2014	Williams, Jr.	D2/958	2008/0276490 A1 *	11/2008	Holt et al.	36/28
D708,831 S *	7/2014	Petrie	D2/958	2011/0247243 A1 *	10/2011	Eder et al.	36/67 A
D709,276 S *	7/2014	de Montgolfier	D2/958	2012/0180341 A1 *	7/2012	Crowley et al.	36/103
8,776,403 B2 *	7/2014	Eder et al.	36/134	2013/0055596 A1 *	3/2013	Wan et al.	36/25 R
					2013/0192092 A1 *	8/2013	Eder et al.	36/59 R
					2013/0276333 A1 *	10/2013	Wawrousek et al.	36/102
					2014/0366401 A1 *	12/2014	Cavaliere et al.	36/103

* cited by examiner

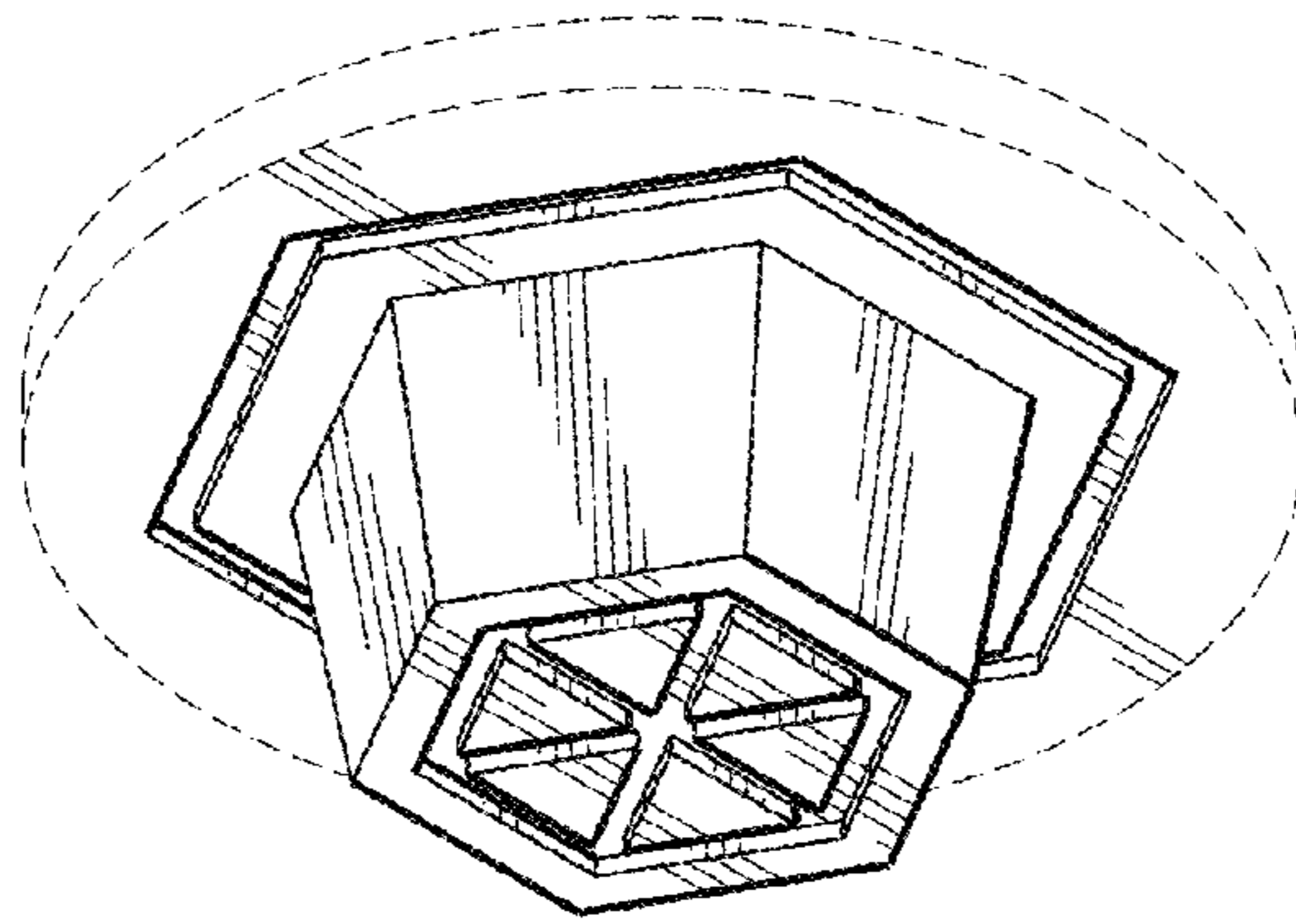


FIG. 1

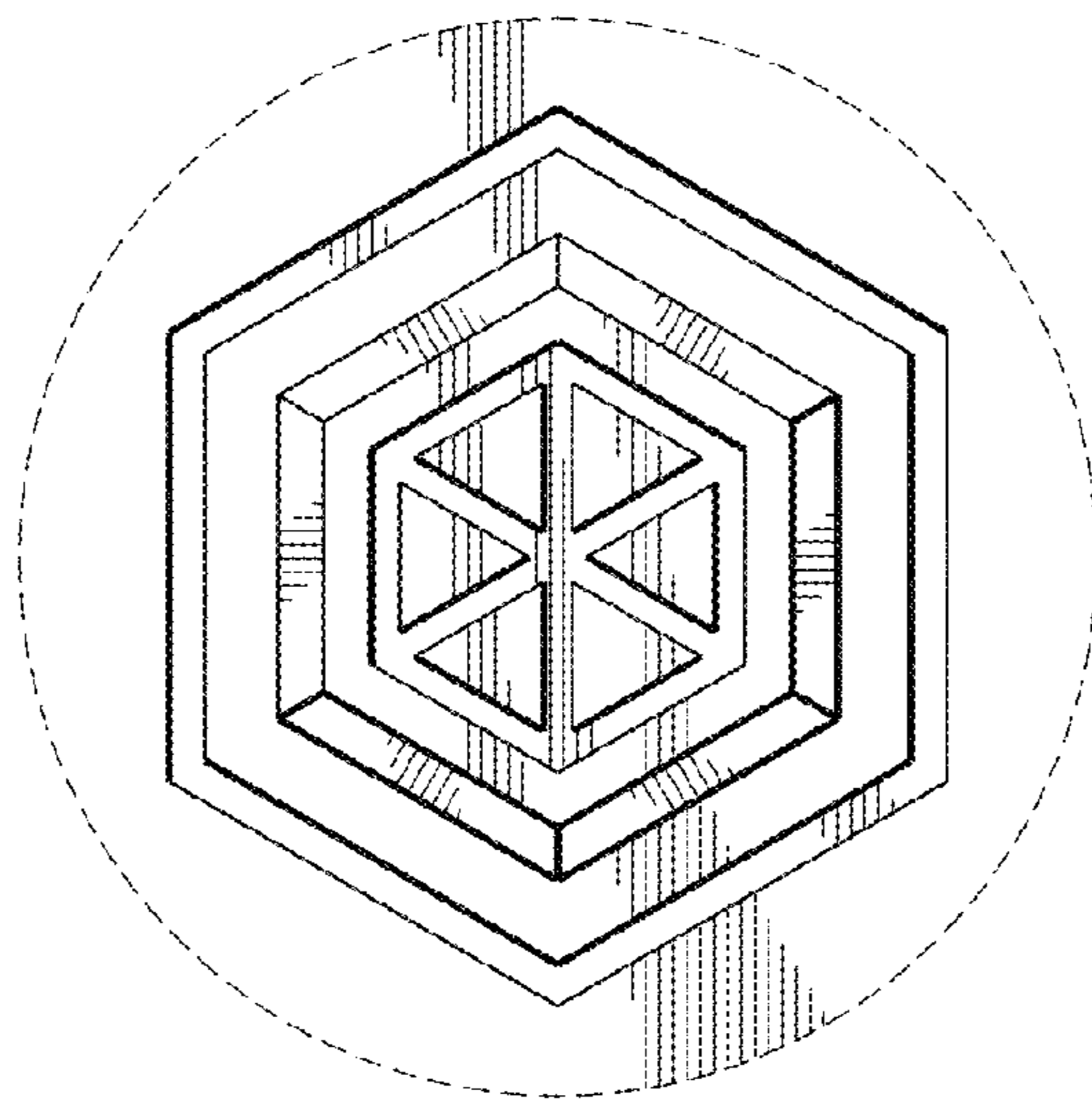


FIG. 2

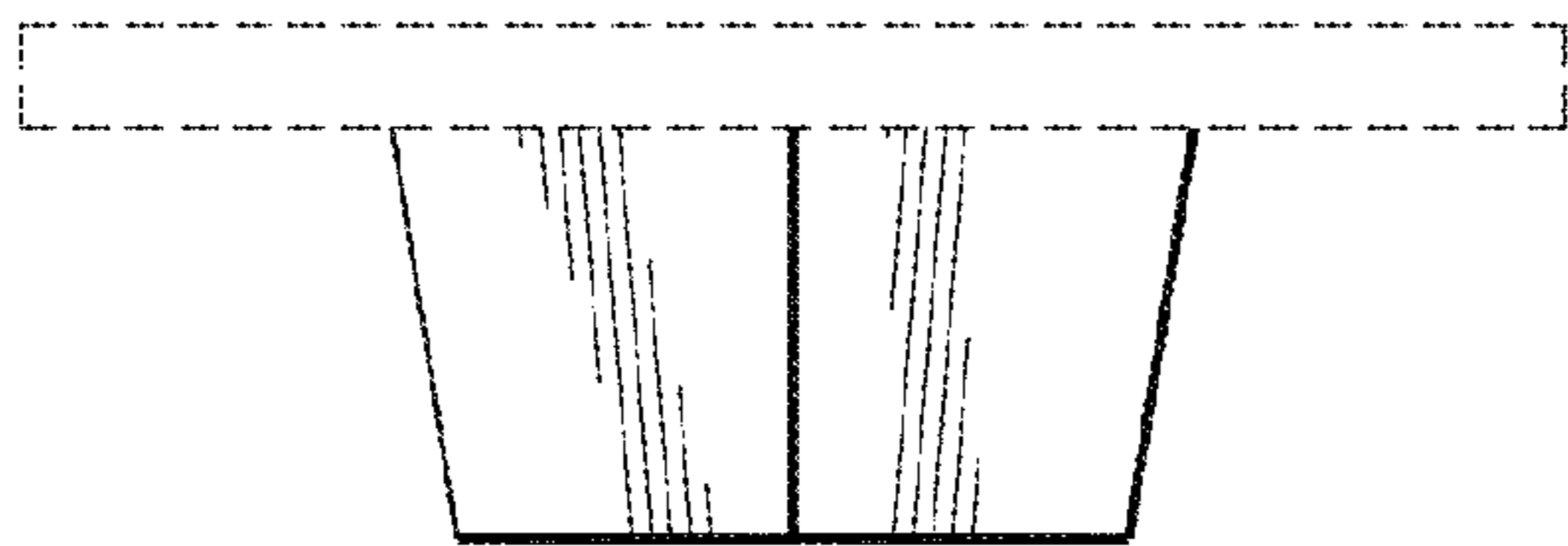


FIG. 3

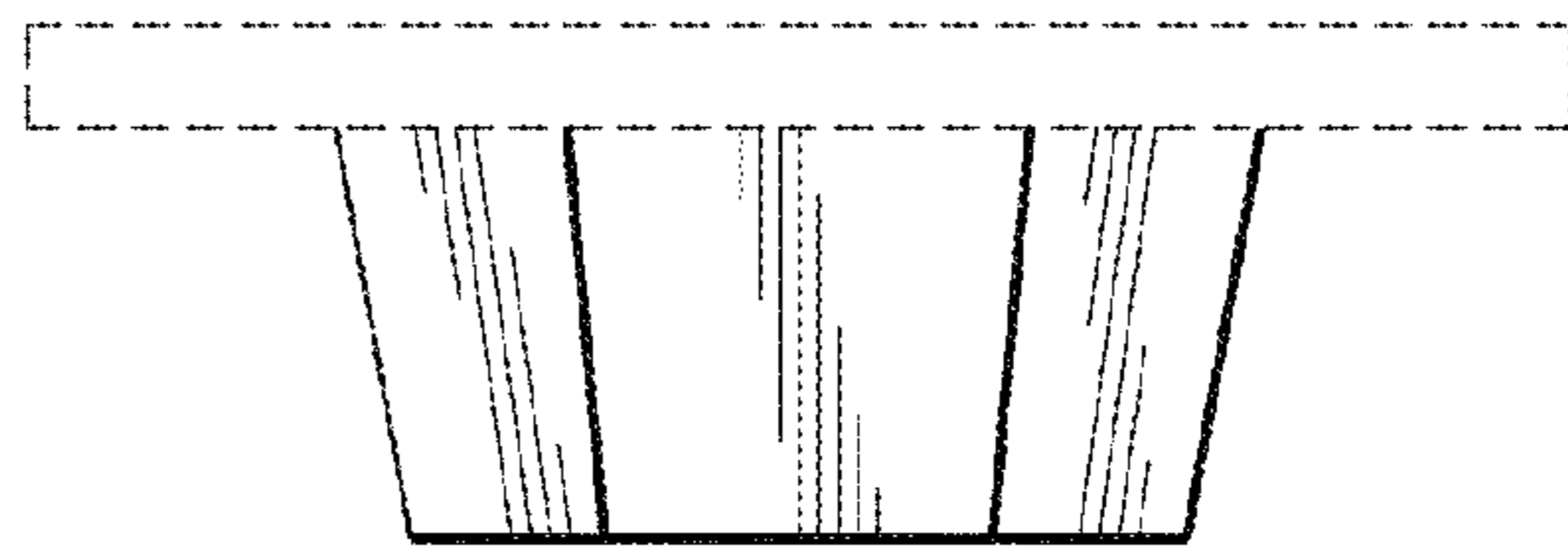


FIG. 4

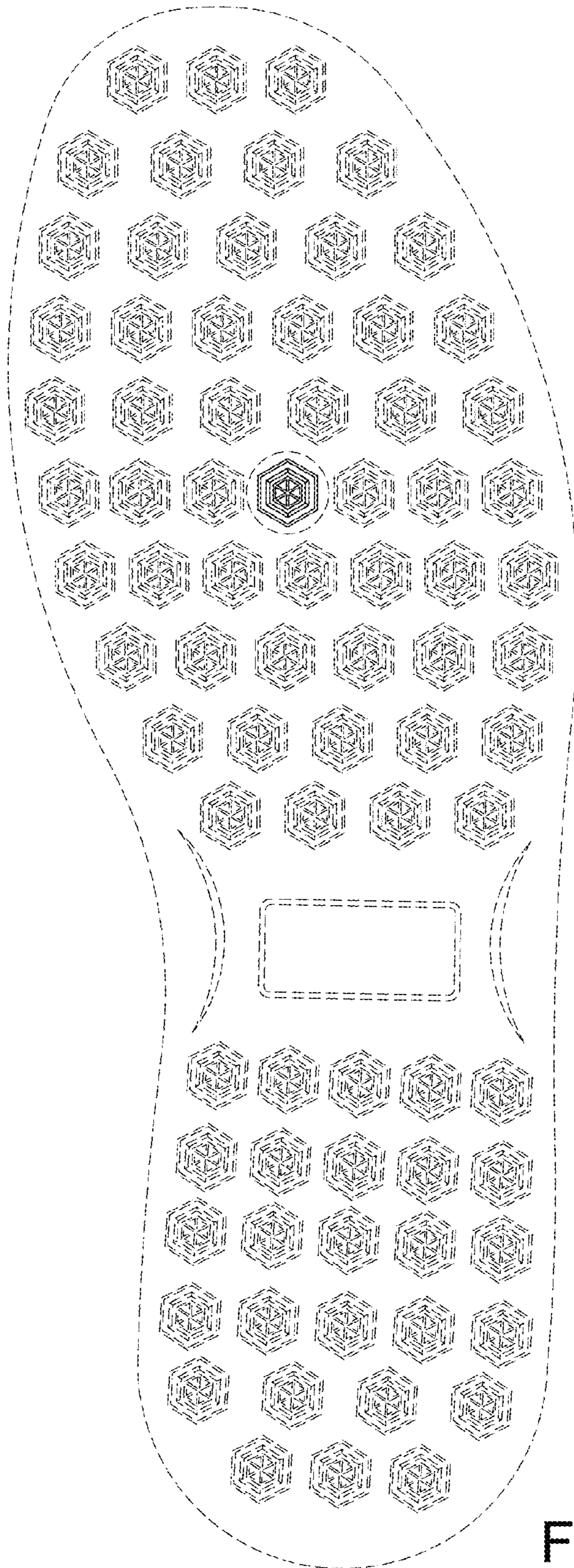


FIG. 5