



US00D734590S

(12) **United States Design Patent**  
**Evers**

(10) **Patent No.:** **US D734,590 S**  
(45) **Date of Patent:** **\*\* Jul. 14, 2015**

(54) **CHAIN LINK**

(71) Applicant: **Nordischer Maschinenbau Rud. Baader GmbH + Co. KG, Lübeck (DE)**

(72) Inventor: **Reinhard Evers, Stockelsdorf (DE)**

(73) Assignee: **Nordischer Maschinenbau Rud. Baader GmbH + Co. KG, Lübeck (DE)**

(\*\*) Term: **14 Years**

(21) Appl. No.: **29/443,991**

(22) Filed: **Jan. 24, 2013**

(30) **Foreign Application Priority Data**

Jul. 24, 2012 (EM) ..... 002078311-0001  
Jul. 24, 2012 (EM) ..... 002078311-0002  
Jul. 24, 2012 (EM) ..... 002078311-0003  
Jul. 24, 2012 (EM) ..... 002078311-0004  
Jul. 24, 2012 (EM) ..... 002078311-0009  
Jul. 24, 2012 (EM) ..... 002078311-0010

(51) **LOC (10) Cl.** ..... **12-05**

(52) **U.S. Cl.**  
USPC ..... **D34/35; D34/29**

(58) **Field of Classification Search**  
USPC ..... D34/29, 35; D8/499; 198/851, 838,  
198/853, 850; 474/212  
CPC ..... B65G 15/30; B65G 15/32; B65G 15/48  
See application file for complete search history.

(56) **References Cited**

**U.S. PATENT DOCUMENTS**

D25,713 S \* 6/1896 Teale ..... D8/499  
D27,223 S \* 6/1897 Fletcher ..... D8/499  
D27,465 S \* 8/1897 Fletcher ..... D8/499  
D30,242 S \* 2/1899 Smith ..... D8/499  
D32,107 S \* 1/1900 Weaver ..... D8/499  
2,199,292 A 4/1940 Pierce

2,784,836 A \* 3/1957 Le Tourneau ..... 198/834  
2,966,112 A 12/1960 Guettler  
3,056,309 A \* 10/1962 Horste ..... 474/218  
D250,104 S \* 10/1978 Bourgeois ..... D34/29  
4,526,271 A 7/1985 Finnighan  
4,615,343 A \* 10/1986 Komossa ..... 131/111  
4,991,315 A \* 2/1991 Falck ..... 34/217  
5,267,909 A 12/1993 Iacchetta  
D373,670 S \* 9/1996 Roberts ..... D34/29  
D381,177 S \* 7/1997 Patois et al. .... D34/29

(Continued)

**FOREIGN PATENT DOCUMENTS**

DE 1030122 10/1958  
DE 10206274 A1 8/2003

(Continued)

**OTHER PUBLICATIONS**

Notice of Allowance dated Sep. 15, 2014 from U.S. Appl. No. 29/443,992, filed Jan. 24, 2013.

(Continued)

*Primary Examiner* — Cynthia Ramirez

(74) *Attorney, Agent, or Firm* — Sunstone IP

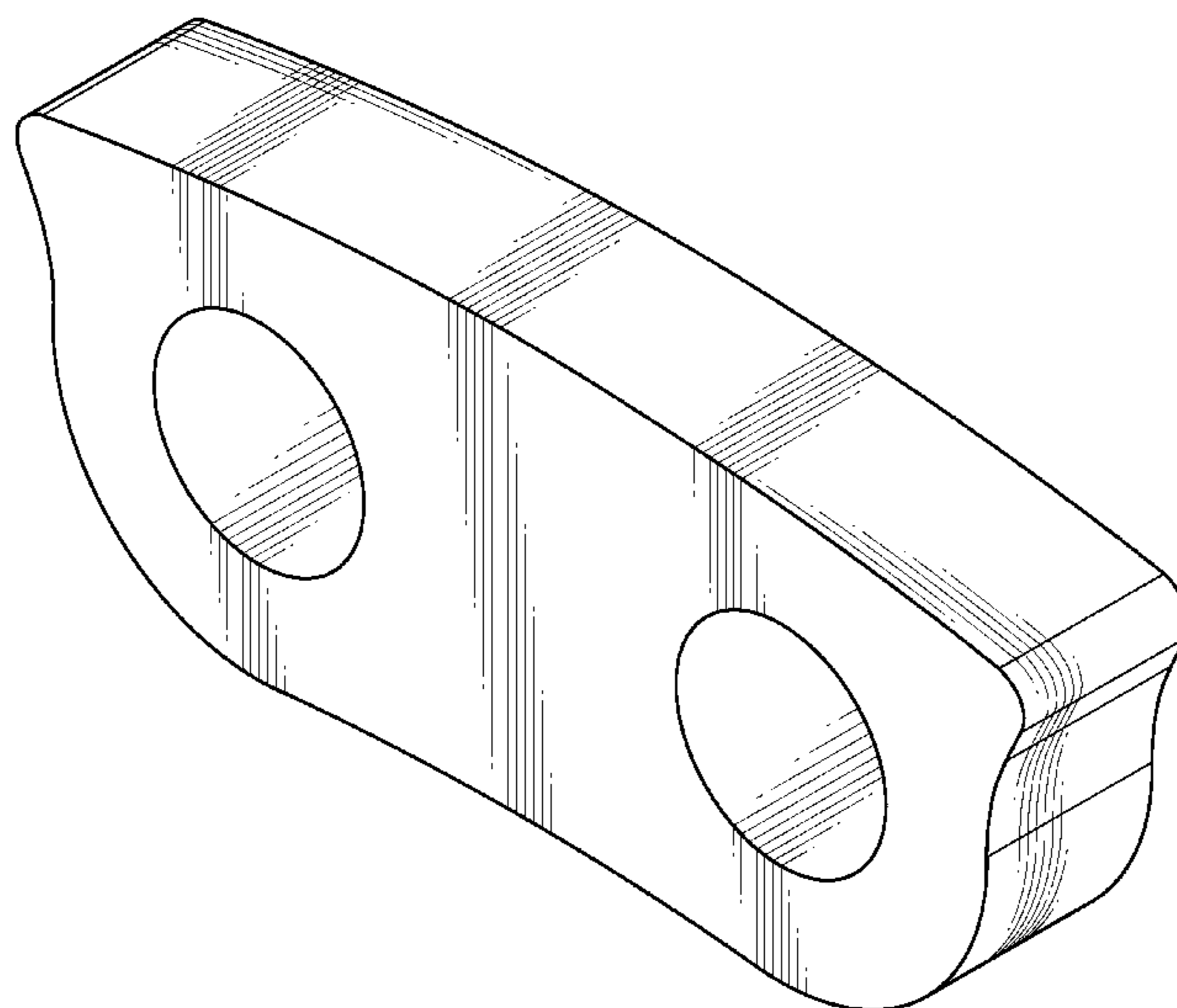
(57) **CLAIM**

The ornamental design for chain link, as shown and described.

**DESCRIPTION**

FIG. 1 is a perspective view of chain link showing the new design;  
FIG. 2 is a front elevational view thereof, the rear elevation view being identical thereto;  
FIG. 3 is a top plan view thereof;  
FIG. 4 is a bottom plan view thereof; and,  
FIG. 5 is a left side elevational view thereof, the right side elevation view being identical thereto.

**1 Claim, 4 Drawing Sheets**



(56)

References Cited

U.S. PATENT DOCUMENTS

5,846,149 A 12/1998 Ledvina et al.  
 5,895,880 A 4/1999 Golden  
 D449,416 S \* 10/2001 Horie et al. .... D34/35  
 6,450,910 B1 \* 9/2002 Matsumoto et al. .... 474/212  
 D518,074 S 3/2006 Yoshida et al.  
 D528,259 S \* 9/2006 Layne et al. .... D34/29  
 7,108,622 B2 9/2006 Okabe  
 D544,894 S 6/2007 Clarke  
 D545,333 S 6/2007 Clarke  
 D699,272 S 2/2014 Mochizuki  
 2002/0060142 A1 \* 5/2002 Morimoto et al. .... 198/851  
 2002/0086753 A1 7/2002 Yahata  
 2003/0199351 A1 10/2003 Nichols  
 2003/0236145 A1 \* 12/2003 Ledvina et al. .... 474/215  
 2005/0009655 A1 1/2005 Kubo et al.  
 2005/0009656 A1 1/2005 Preis et al.  
 2005/0020395 A1 1/2005 Graves  
 2005/0090347 A1 4/2005 Revankar et al.  
 2005/0170924 A1 8/2005 Meya et al.  
 2005/0170925 A1 8/2005 Hamilton  
 2006/0094551 A1 \* 5/2006 Tohara ..... 474/212  
 2006/0142103 A1 \* 6/2006 Marshall ..... 474/212  
 2006/0252592 A1 11/2006 Young  
 2007/0272523 A1 \* 11/2007 Victoris ..... 198/851  
 2010/0084319 A1 4/2010 Hahn et al.  
 2010/0236901 A1 \* 9/2010 Marshall ..... 198/851  
 2010/0304911 A1 12/2010 Kabai  
 2011/0183799 A1 7/2011 Young et al.  
 2011/0278136 A1 \* 11/2011 Weiser et al. .... 198/850

2011/0302843 A1 12/2011 Dallmann et al.  
 2012/0279832 A1 \* 11/2012 Bettati ..... 198/851  
 2014/0135160 A1 5/2014 Kaiser et al.  
 2014/0231226 A1 \* 8/2014 Sharma et al. .... 198/851

FOREIGN PATENT DOCUMENTS

DE 102004008669 A1 9/2005  
 DE 202007004473 U1 7/2007  
 DE 602005003660 T2 11/2008  
 DE 202010011056 U1 12/2011  
 EP 1128090 A2 8/2001  
 EP 1241117 A1 9/2002  
 EP 1843061 A1 10/2007  
 EP 2034218 A1 3/2009  
 EP 2255946 12/2010  
 FR 2961572 A1 12/2011  
 JP H02138093 A 11/1990  
 WO 2008116650 A1 10/2008  
 WO 2011012410 A1 2/2011

OTHER PUBLICATIONS

International Search Report dated Oct. 23, 2013 from International Patent Application No. PCT/EP2013/065284 filed Jul. 19, 2013.  
 International Preliminary Report on Patentability dated Jan. 27, 2015 from International Patent Application No. PCT/EP2013/065284 filed Jul. 19, 2013.  
 Notice of Allowance dated Dec. 19, 2014 from U.S. Appl. No. 29/443,992, filed Jan. 24, 2013.

\* cited by examiner

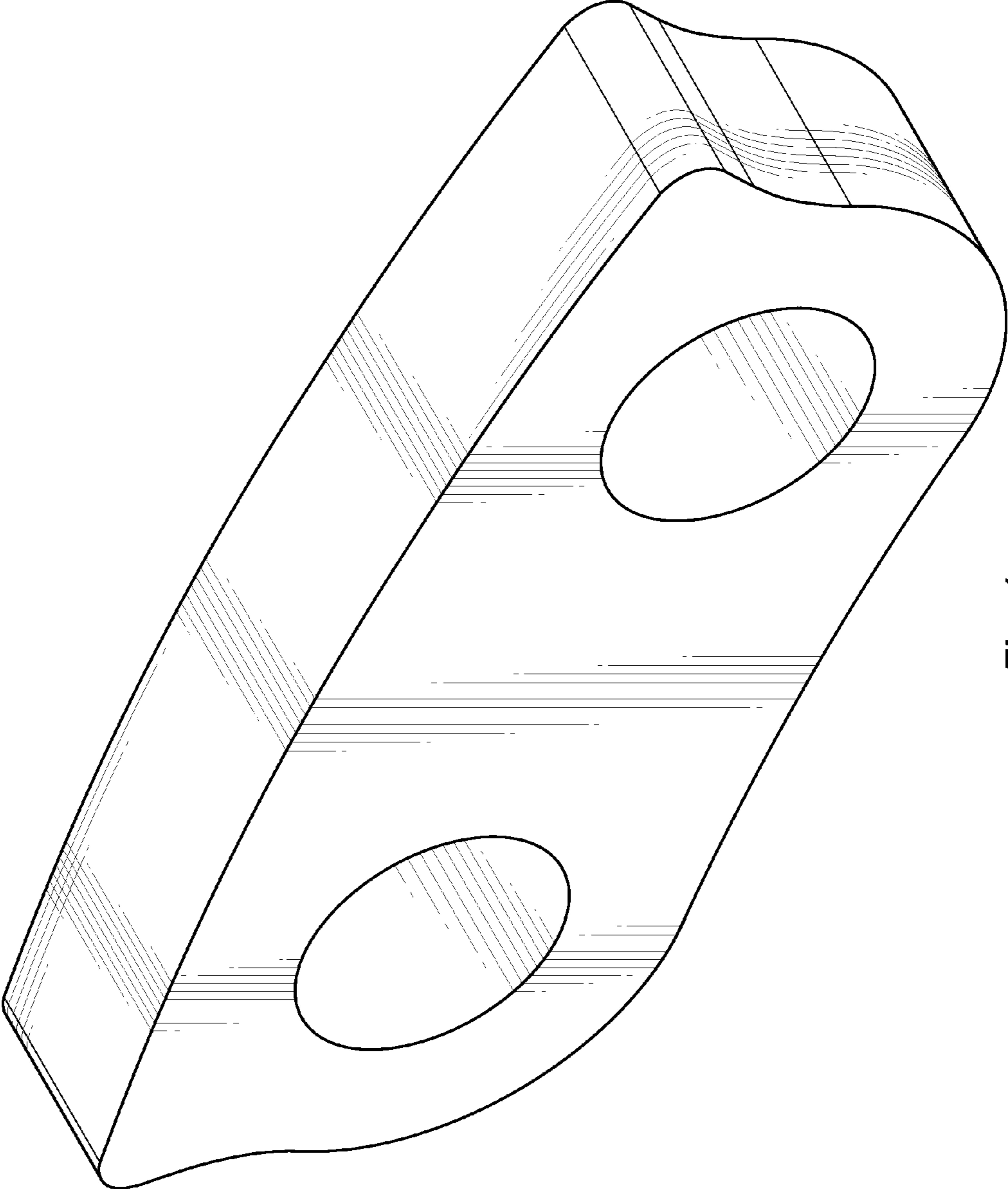


Fig. 1

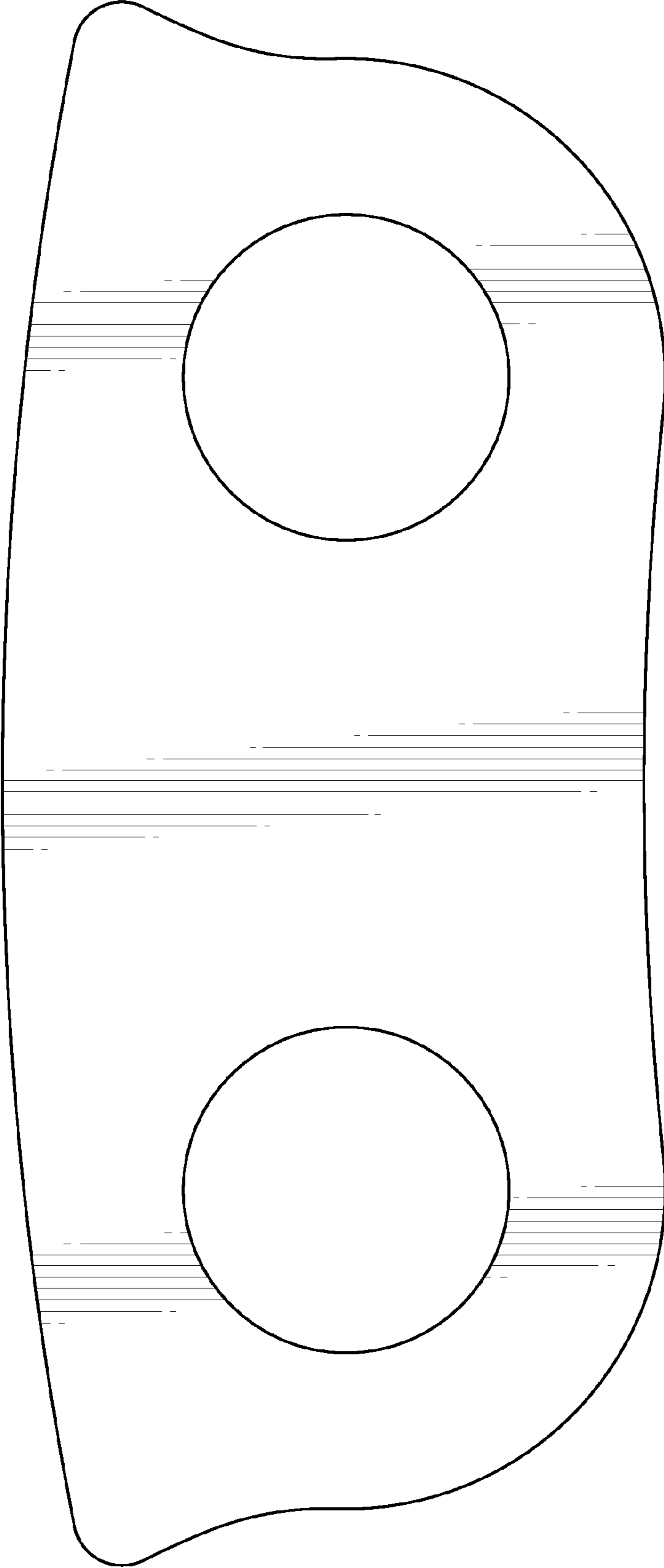
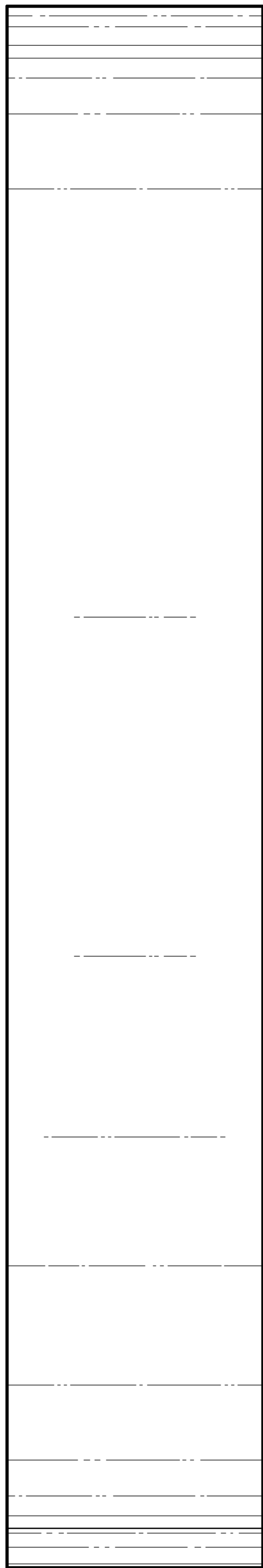
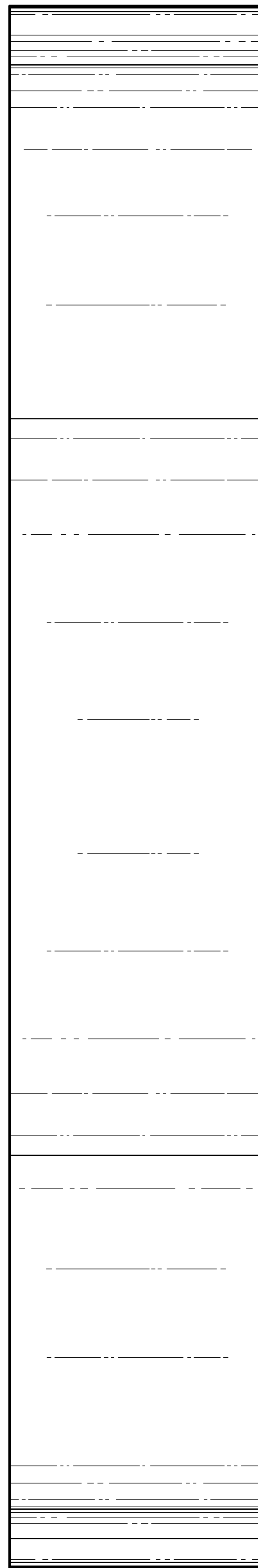


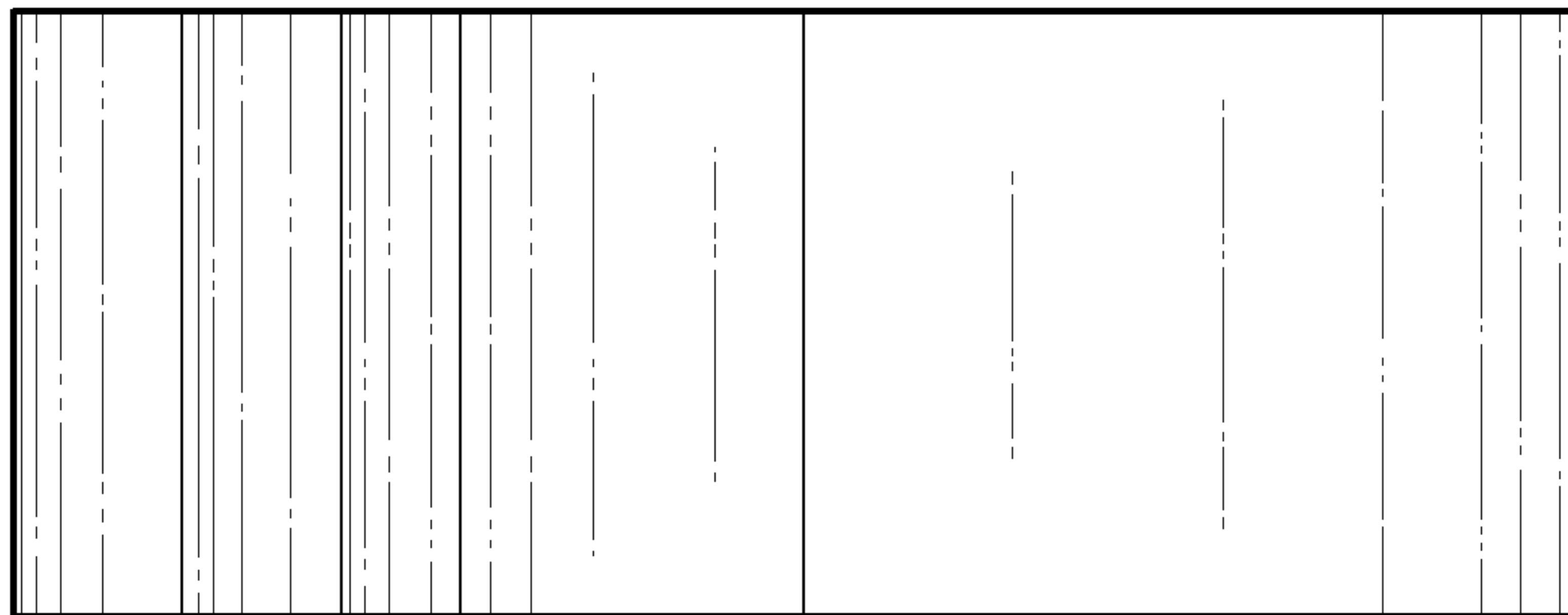
Fig. 2



*Fig. 3*



*Fig. 4*



**Fig. 5**