

US00D734588S

(12) **United States Design Patent**
Pradon

(10) **Patent No.:** **US D734,588 S**
(45) **Date of Patent:** **** Jul. 14, 2015**

(54) **LIFTING APPARATUS**

(75) Inventor: **Denis Pradon**, Bergisch Gladbach (DE)

(73) Assignee: **Tractel Greifzug GmbH**, Bergisch, Gladbach (DE)

(**) Term: **14 Years**

(21) Appl. No.: **29/431,236**

(22) Filed: **Sep. 5, 2012**

(51) **LOC (10) Cl.** **12-05**

(52) **U.S. Cl.**

USPC **D34/33**

(58) **Field of Classification Search**

USPC D34/28, 33; D8/14, 21, 28, 54;
254/382, 374, 356, 380, 389; 414/426,
414/427, 428, 430

See application file for complete search history.

(56) **References Cited**

U.S. PATENT DOCUMENTS

4,060,159	A	11/1977	Chaney	
4,193,311	A	3/1980	Rinio et al.	
4,706,940	A	11/1987	Harig	
D388,928	S *	1/1998	Kuryu	D34/33
D388,929	S *	1/1998	Kuryu	D34/33
D411,364	S *	6/1999	Sasaki et al.	D34/33
D438,358	S *	2/2001	Huang	D34/33
D459,048	S *	6/2002	Leemans	D34/33
D491,333	S	6/2004	Blasek	
D524,508	S *	7/2006	Lichtenvort	D34/33
D540,003	S *	4/2007	Hagihara et al.	D34/33
D550,923	S *	9/2007	Huang et al.	D34/33
7,273,132	B2	9/2007	Kocher, II	
D555,874	S *	11/2007	Elliott et al.	D34/33
D586,073	S *	2/2009	Tsao	D34/33
7,527,243	B2 *	5/2009	Blasek	254/333
D636,144	S *	4/2011	Nagase et al.	D34/33
D662,274	S *	6/2012	Riconda et al.	D34/33

OTHER PUBLICATIONS

Building Value Engineering, BISOMAC210, "Traction Hoist for Suspended Platform", 3 pages, Copyright Suspended States 2002/2003.

Suspended Stages, "Rentals—HI-LO Climber", 1 page, © Suspended Stages 2002/2003.

Hi-Lo Climbers, A division of L.E. Zygmund and Company, Inc., "Operator's Manual", Model D-800, FD-18, FD-24, 22 pages, Copyright 1996.

Lisbon Hoist, Inc. "Spirit Air & Electric Powered Hoists", 2 pages, (date unknown).

Power Climber, "Traction Hoist Comparison, 1000 LB Single Phase Models", 11 pages. (Data prepared from current literature available Jul. 2004).

Sky Climber, "Compact Air Hoists", 2 pages, Sky Climber®, LLC, Copyright 2011.

Sky Climber, "Compact Electric Hoists", 2 pages, Copyright 2011.

(Continued)

Primary Examiner — Mark Goodwin

(74) *Attorney, Agent, or Firm* — Orrick Herrington & Sutcliffe, LLP

(57) **CLAIM**

The ornamental design for a lifting apparatus, as shown and described.

DESCRIPTION

FIG. 1 is a perspective view of a lifting apparatus showing my new design.

FIG. 2 is a front view thereof;

FIG. 3 is a first side view thereof;

FIG. 4 is a second side view thereof;

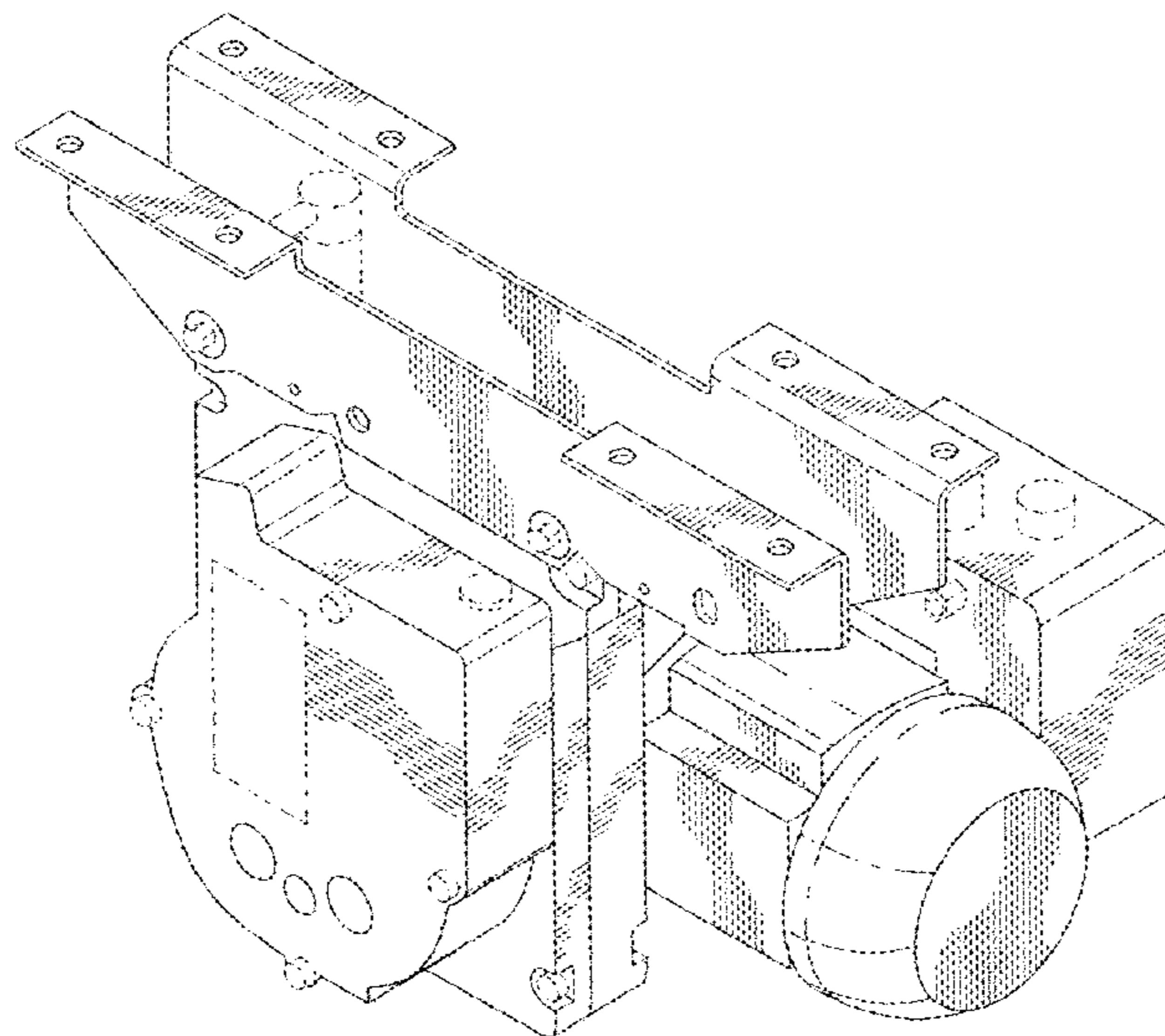
FIG. 5 is a top plan view thereof;

FIG. 6 is a bottom plan view thereof; and,

FIG. 7 is a back view thereof.

The broken line showing of various surface features is included for the purpose of illustrating portions of a lifting apparatus and forms no part of the claimed design.

1 Claim, 7 Drawing Sheets



(56)

References Cited

OTHER PUBLICATIONS

Sky Climber, "Operator's Instruction Manual Alpha 1000 Hoist", 19 pages, Nov. 1997.

Sky Climber, "Sky Climber® Alpha 2200", 1 page, Sky Climber®, LLC, Copyright 2011.

Sky Climber, "Tower Hoist", 2 pages, Sky Climber®, LLC, Copyright 2011.

Skyman, "Skymax 1100 E", 2 pages, Sky Man USA, LLC, (Copyright 2010 Sky man.

Skyman, "Skymax H400", 2 pages, Sky Man International NV, Copyright 2010 Sky man.

Skyman, "Skymax H1000", 2 pages, Sky Man USA, LLC, Copyright 2010 Sky man.

Skyman, "Skymax OCTO", 2 pages, Sky Man USA, LLC, Copyright 2010 Sky man.

Spider®, "SC40 Spider Climber", 1 page, Spider®, Copyright 2004 SafeWorks, LLC.

Spider, "SC-30 Air", 2 pages, Copyright 2004 SafeWorks, LLC.

Spider, "SC40 Electric", 2 pages, Copyright 2004 SafeWorks, LLC.

Spider, "SC 1000/1500", 3 pages, Copyright 2004 SafeWorks, LLC.

Spider, "SC1000 and SC1500, Temporary Access Solutions", 7 pages, Spider®, Copyright 2004 SafeWorks, LLC.

Spider, SC1000 and SC1500, 4 pages, Spider®, Copyright 2004 SafeWorks, LLC.

Spider, "Zmac/1000 Air", 2 pages, Copyright 2004 SafeWorks, LLC.

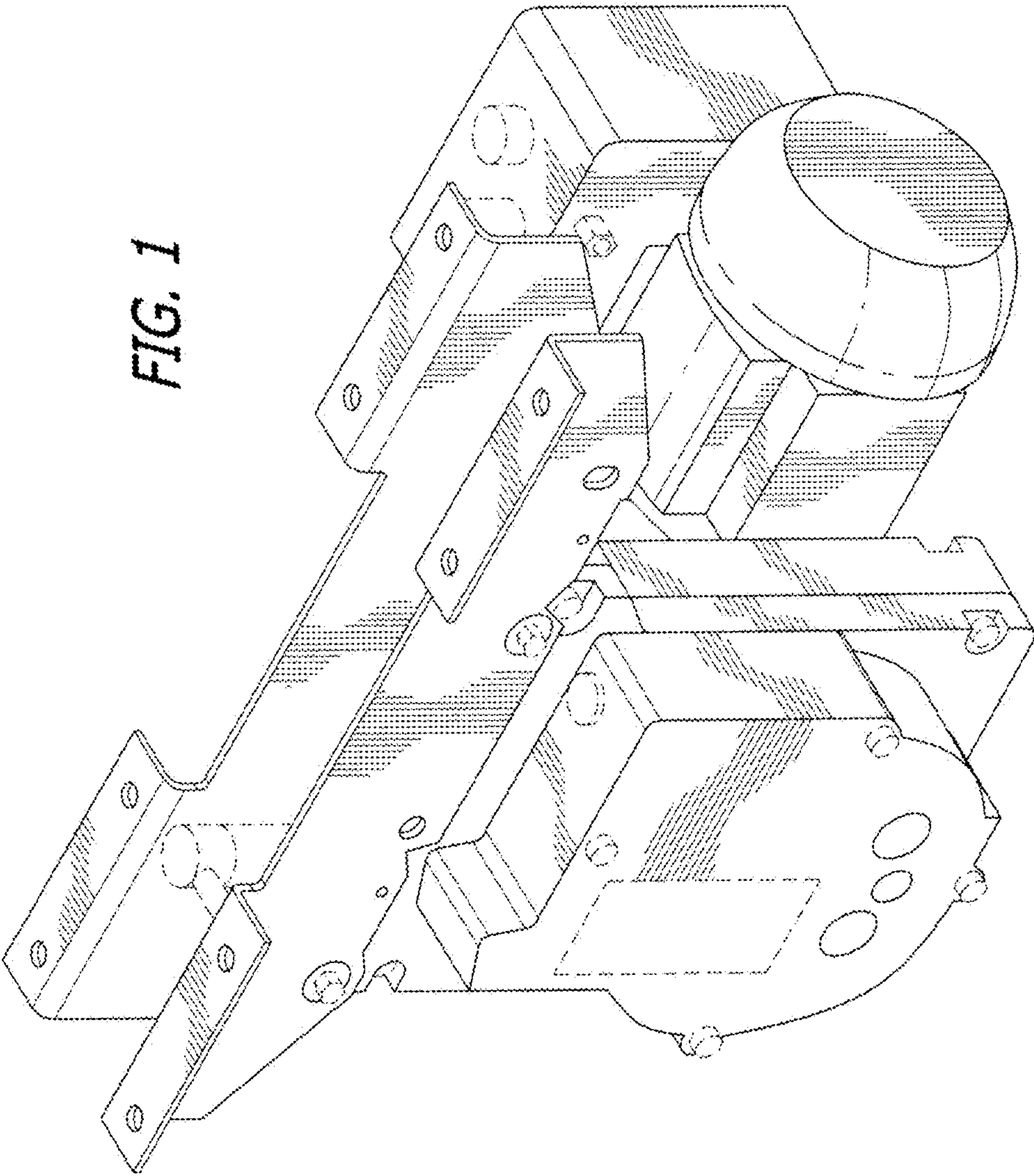
Spider, Zmac/1000 Electric, 2 pages, Copyright 2004 SafeWorks, LLC.

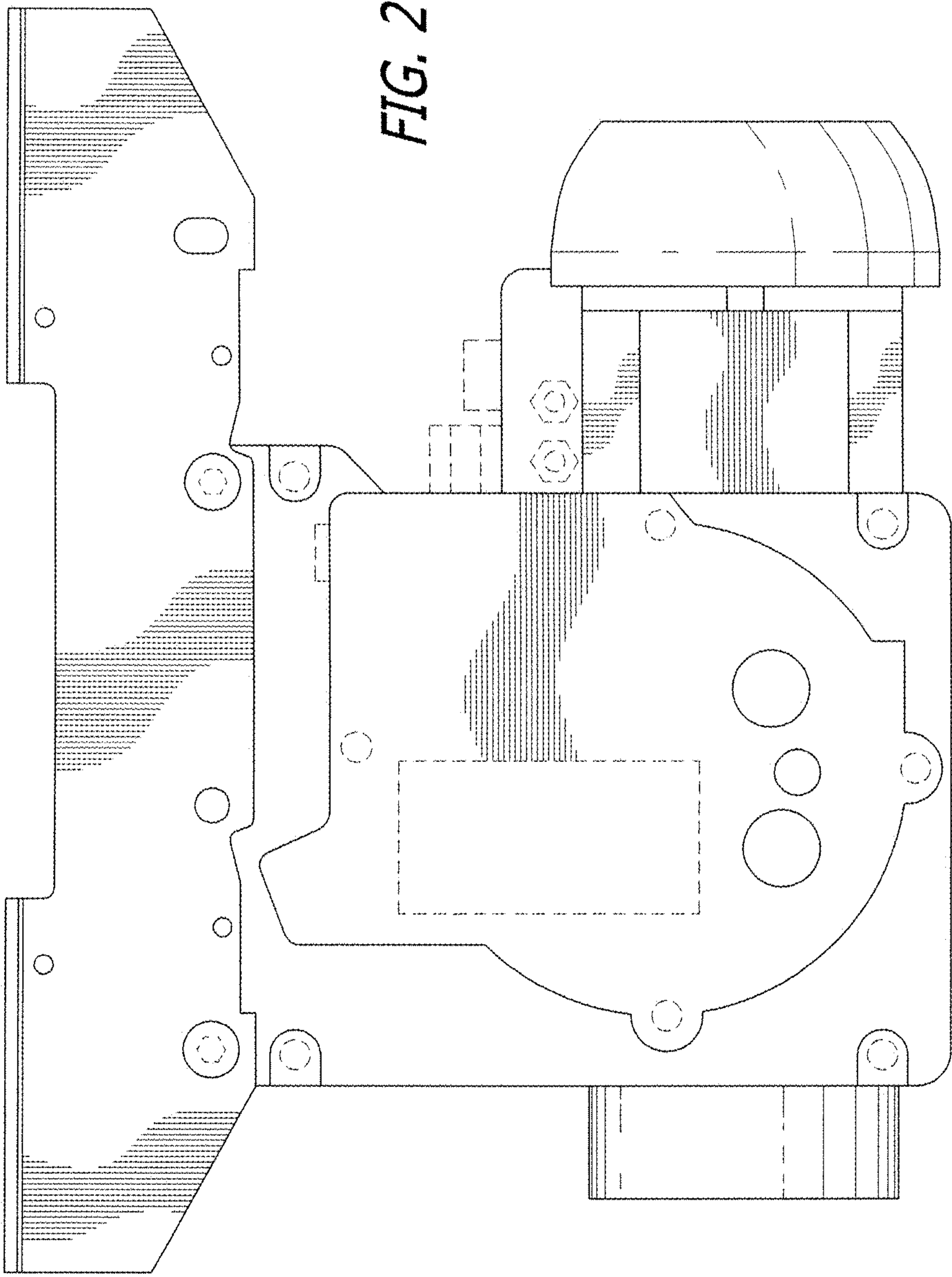
Spider, "Zmac/1000®" 2 pages, Copyright 2004 SafeWorks, LLC.

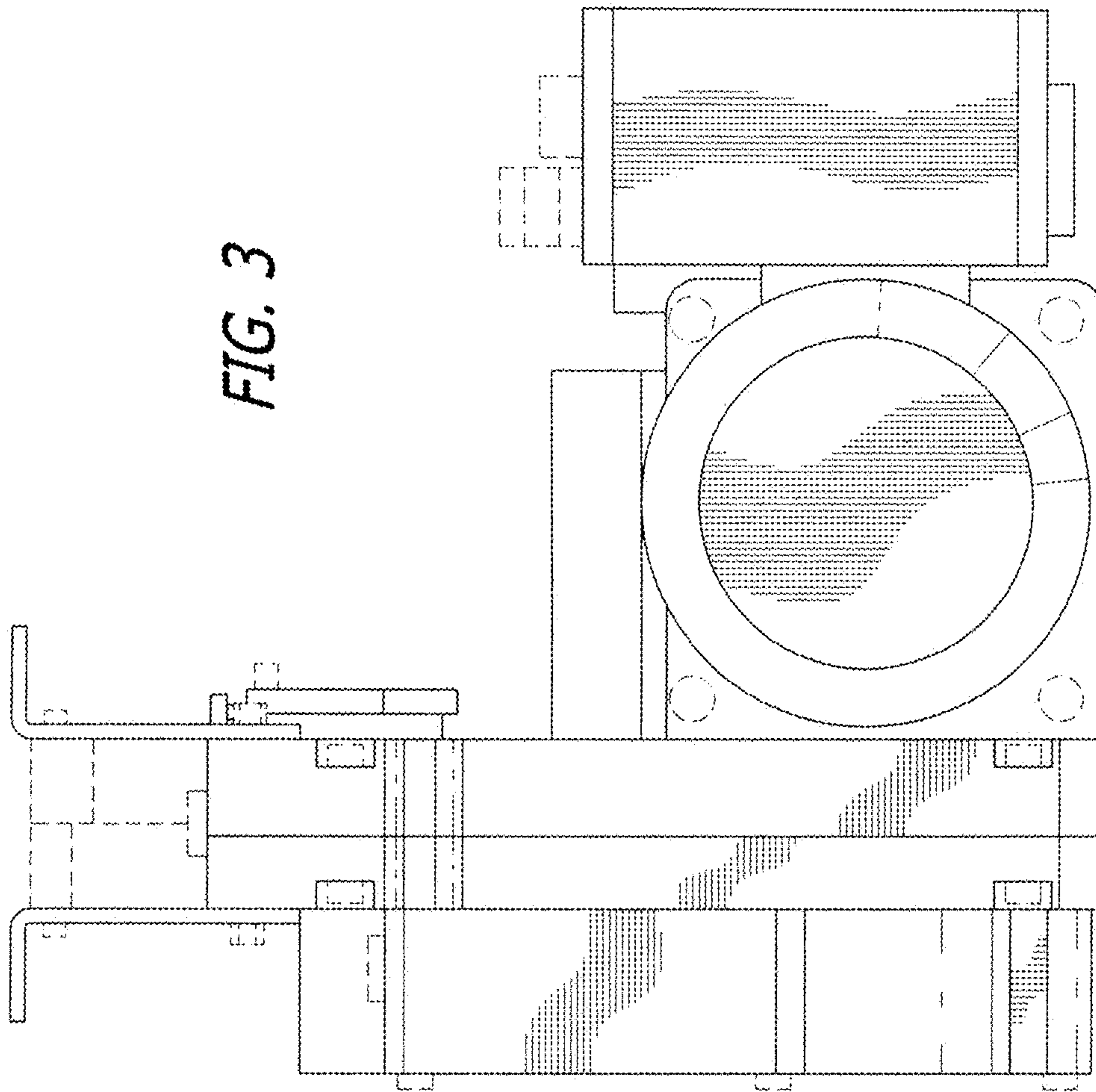
Excerpts from Record of *Secalt S.A., Tractel, Inc. v. Wuxi Shenxi Construction Machinery Company, Ltd.* Litigation, vol. I of II, On Appeal from the United States District Court for the District of Nevada (Las Vegas), Produced before Feb. 7, 2011.

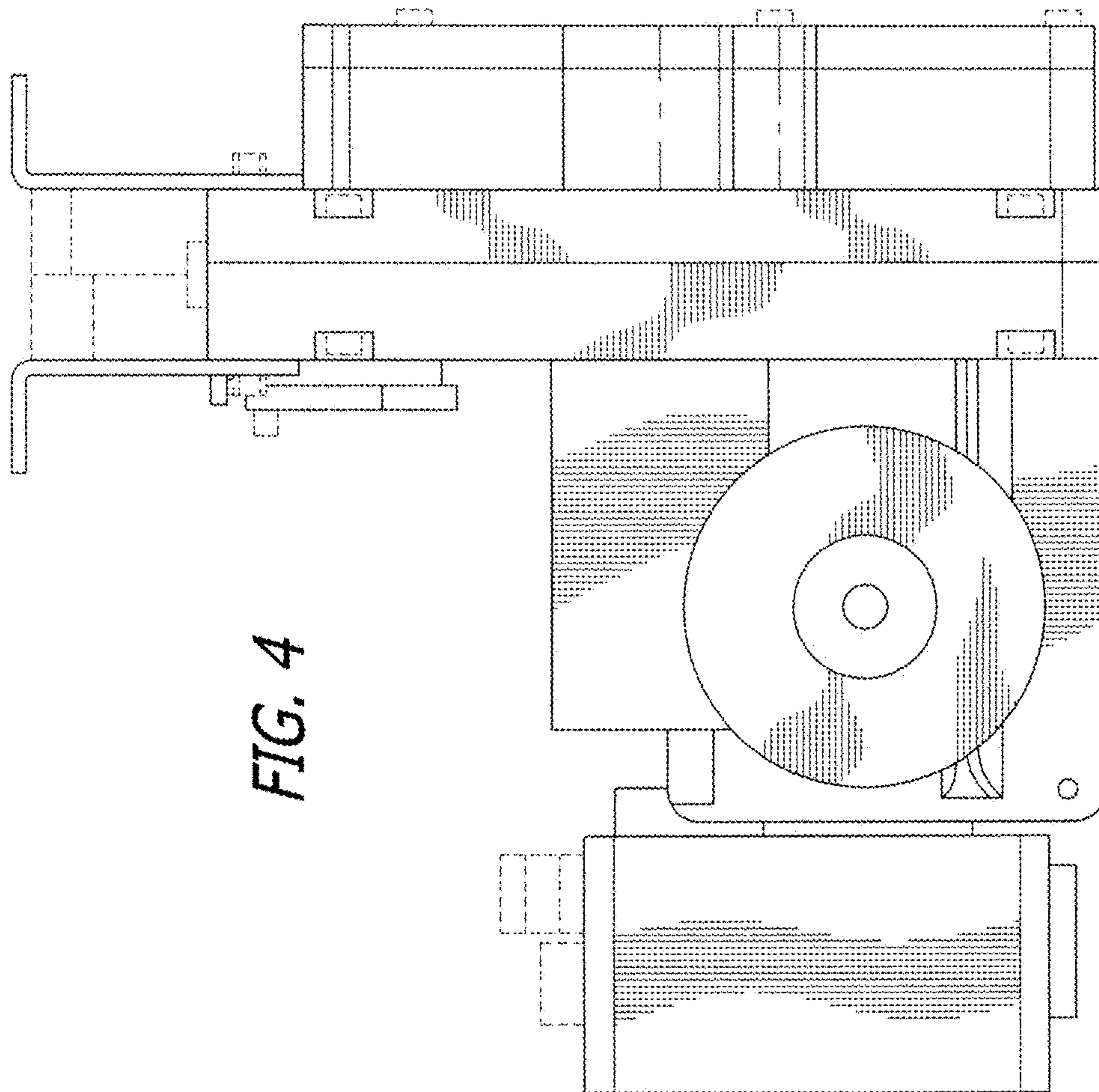
* cited by examiner

FIG. 1









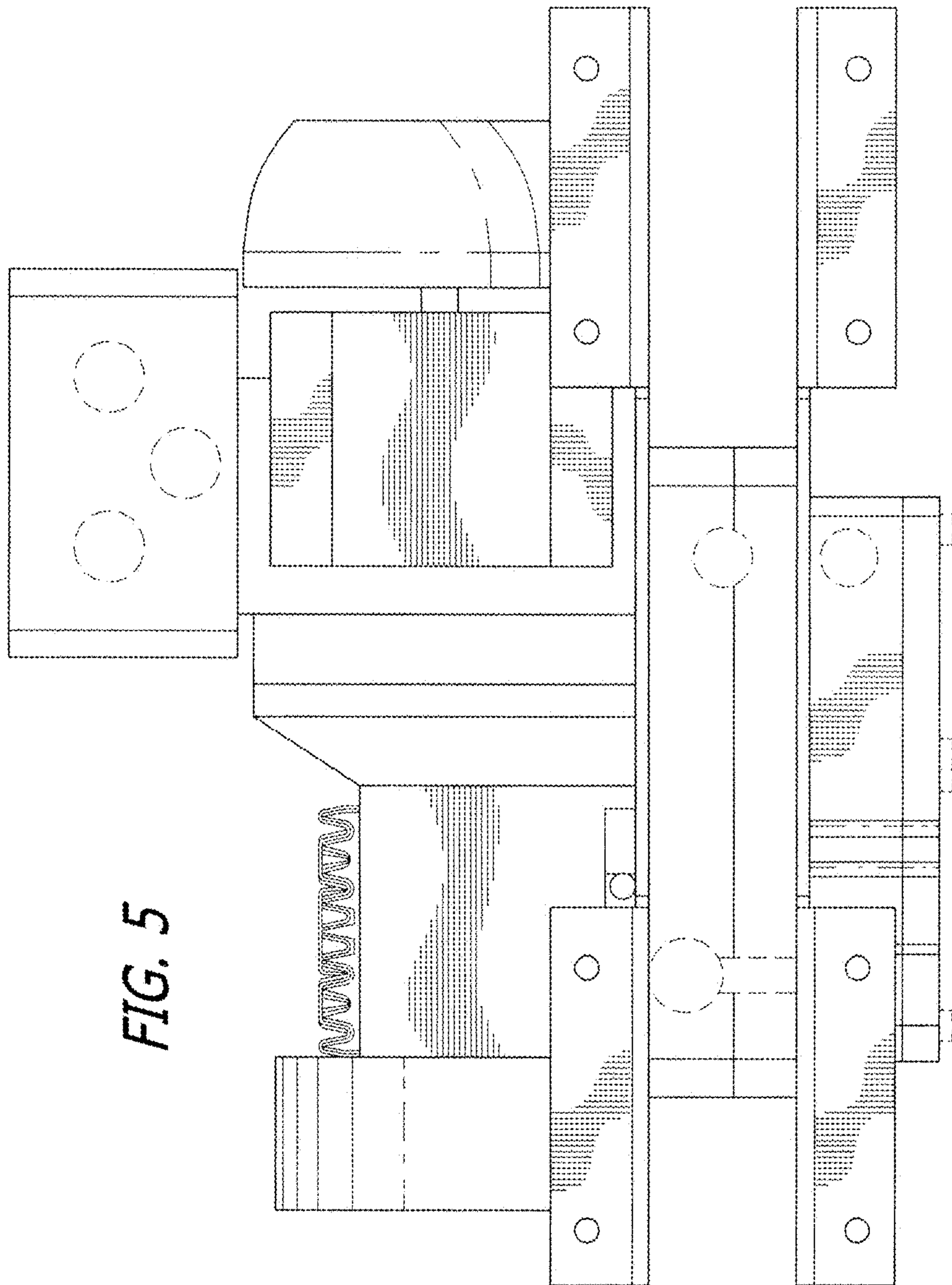


FIG. 5

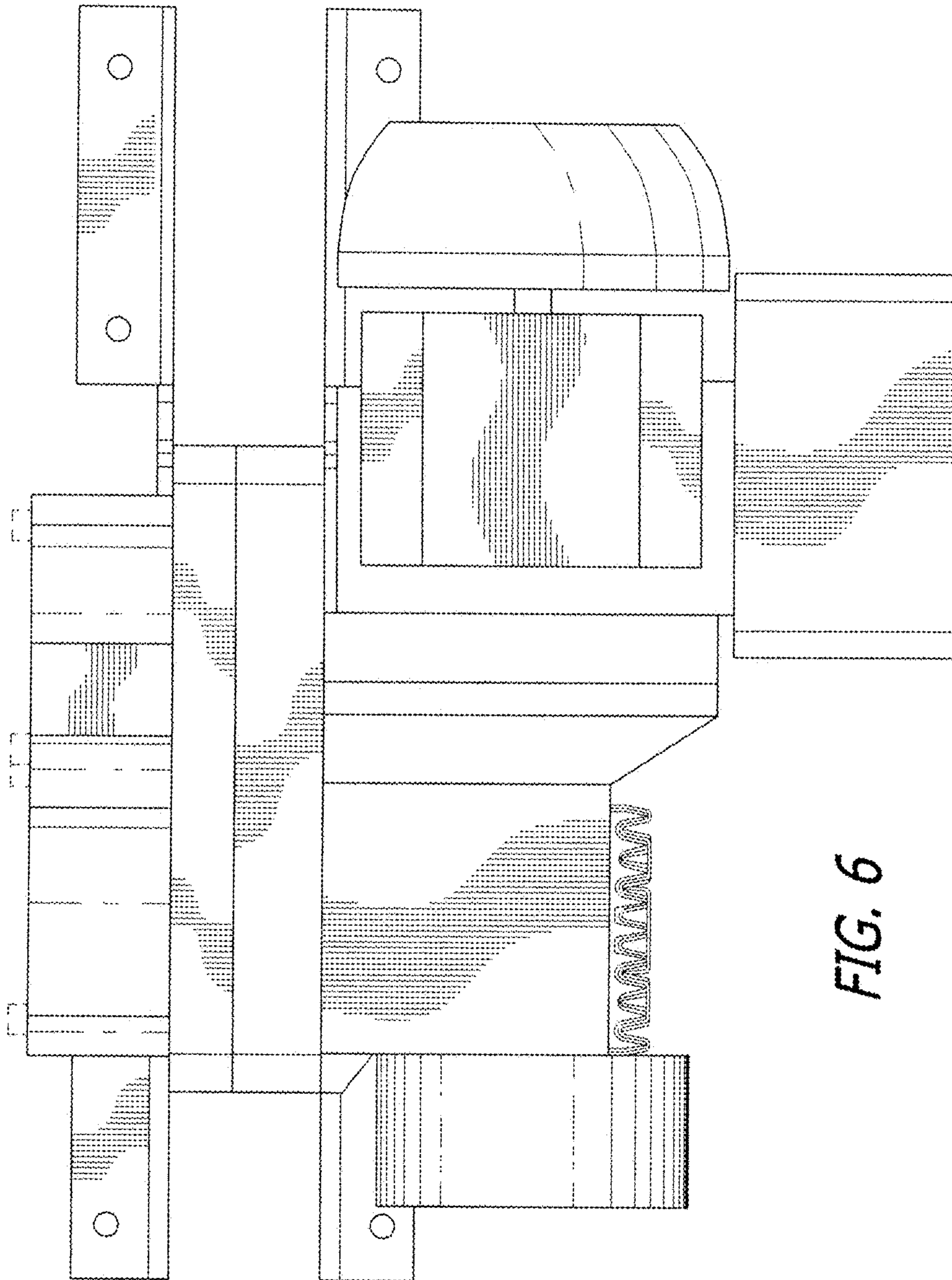


FIG. 6

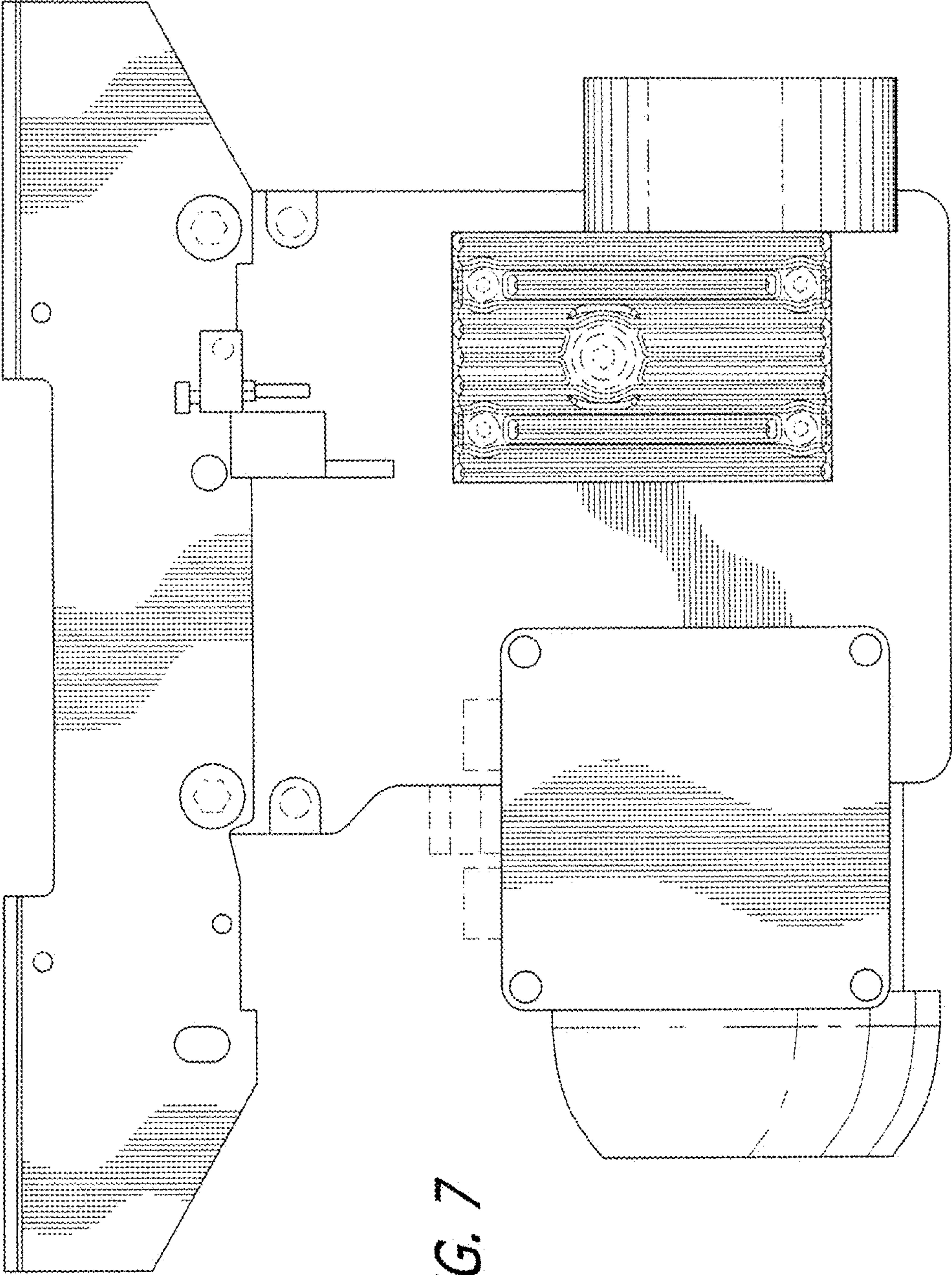


FIG. 7