



US00D734587S

(12) **United States Design Patent**
Golan et al.

(10) **Patent No.:** **US D734,587 S**
(45) **Date of Patent:** **** Jul. 14, 2015**

(54) **SHOPPING CART-RING SHAPED PAPER HOLDER**

(71) Applicants: **Tomer Golan**, Kibutz Ruhama (IL);
Dotan Vasa, Kibutz Negba (IL)

(72) Inventors: **Tomer Golan**, Kibutz Ruhama (IL);
Dotan Vasa, Kibutz Negba (IL)

(**) Term: **14 Years**

(21) Appl. No.: **29/480,772**

(22) Filed: **Jan. 29, 2014**

(51) **LOC (10) Cl.** **12-02**

(52) **U.S. Cl.**
USPC **D34/27**

(58) **Field of Classification Search**
USPC D34/12-27; 280/33.992, 33.991,
280/33.997; 224/411, 282, 553; 108/26, 44;
248/311.2, 313; D7/620, 607; 220/738;
D3/221, 254; 294/146; D8/395-396,
D8/499
CPC B60N 3/106; B60N 3/10; B60N 3/103;
A47G 23/0216; A47G 23/0208
See application file for complete search history.

(56) **References Cited**

U.S. PATENT DOCUMENTS

2,633,278 A * 3/1953 Muniz 224/411
D214,934 S * 8/1969 Pitts D6/567
D244,302 S * 5/1977 Bradley D27/104
4,826,058 A * 5/1989 Nakayama 224/554
D317,999 S * 7/1991 Sanford D7/620
5,048,736 A * 9/1991 Anatra 224/277
5,110,170 A * 5/1992 Boatwright 294/146
5,219,140 A * 6/1993 Spykerman 248/311.2
D341,883 S * 11/1993 Jones et al. D24/128
D342,192 S * 12/1993 Yu D7/620
D344,876 S * 3/1994 Vandergon D7/620
D346,996 S * 5/1994 Blackburn D12/411
D350,456 S * 9/1994 Linder D7/620
D353,840 S * 12/1994 Dietterich et al. D19/85

D355,948 S * 2/1995 Wu D34/27
D356,002 S * 3/1995 Morgan D6/552
D358,303 S * 5/1995 Guarrera et al. D7/620
D361,461 S * 8/1995 Linzenbold D6/556
5,494,306 A * 2/1996 Adamson et al. 280/33.992
D367,803 S * 3/1996 Hardway D7/620
D367,999 S * 3/1996 McCallum D7/620
D370,835 S * 6/1996 Nachtrab D7/620
D379,288 S * 5/1997 Azar D7/620
D383,284 S * 9/1997 Lines D34/27
5,732,862 A * 3/1998 Bull 224/217
D423,884 S * 5/2000 Greenwood D7/620
6,158,640 A 12/2000 Karp
6,220,557 B1 * 4/2001 Ziaylek et al. 248/316.1
6,227,510 B1 * 5/2001 McMullen, Sr. 248/311.2
D453,095 S * 1/2002 Bailey D7/620
D457,721 S * 5/2002 Matyas D3/221
D473,760 S * 4/2003 Perez D7/620

(Continued)

FOREIGN PATENT DOCUMENTS

DE 10358427 A1 7/2005
EP 0834436 A1 4/1998
FR 2771908 A1 6/1999

Primary Examiner — Cynthia Ramirez

Assistant Examiner — Gino Colan

(74) *Attorney, Agent, or Firm* — Rodney J. Fuller; Booth Udall Fuller, PLC

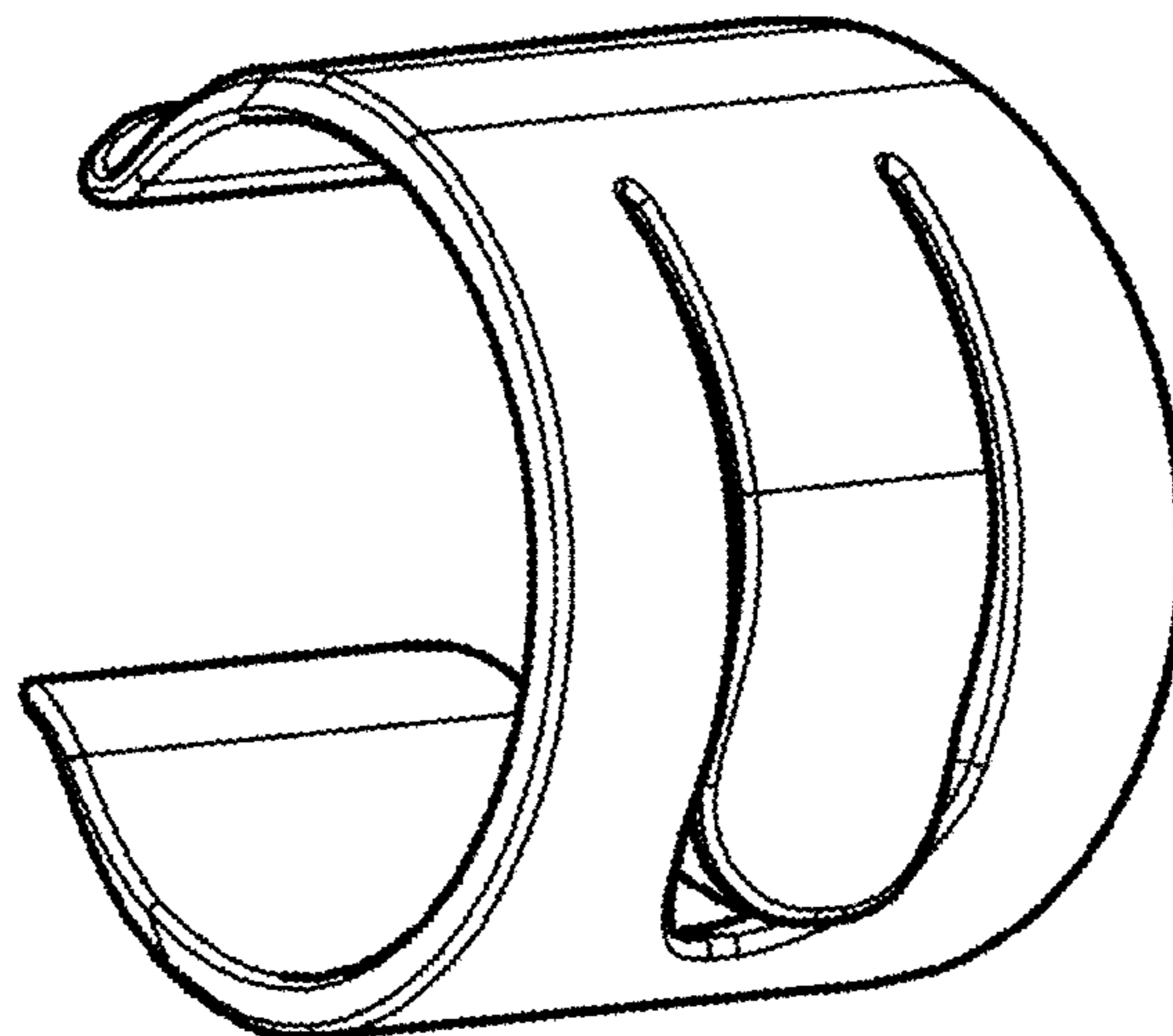
(57) **CLAIM**

The ornamental design for a shopping cart-ring shaped paper holder, as shown and described.

DESCRIPTION

FIG. 1 is a rear perspective view of a shopping cart ring-shaped paper holder;
FIG. 2 is a front perspective view thereof;
FIG. 3 is a front view thereof;
FIG. 4 is a right side view thereof, the left side view being a mirror image of the right side view;
FIG. 5 is a rear view thereof; and,
FIG. 6 is a bottom view thereof.

1 Claim, 6 Drawing Sheets



(56)

References Cited

U.S. PATENT DOCUMENTS

6,588,720	B1 *	7/2003	Revette	248/311.2	7,673,410	B1	3/2010	Buerchner	
6,644,524	B1 *	11/2003	Garvin	224/411	8,245,894	B2 *	8/2012	Buehler 224/411
6,749,204	B2 *	6/2004	Werner	280/33.992	8,313,114	B1 *	11/2012	Aron 280/33.992
D517,373	S *	3/2006	Cappellino et al.	D7/620	8,360,441	B2 *	1/2013	Caruso et al. 280/33.992
D528,870	S *	9/2006	Ryan	D7/620	D718,927	S *	12/2014	Smith D3/221
7,219,901	B2 *	5/2007	Ryan	280/33.992	2003/0132590	A1 *	7/2003	Werner 280/33.992
7,475,884	B2 *	1/2009	Ryan	280/33.992	2005/0183298	A1	8/2005	Cohen	
D604,946	S *	12/2009	Drake	D3/221	2007/0085282	A1 *	4/2007	Ryan 280/33.992
						2007/0085283	A1 *	4/2007	Ryan 280/33.992
						2008/0237284	A1 *	10/2008	Peota et al. 224/411
						2014/0117183	A1 *	5/2014	McClure 248/311.2

* cited by examiner

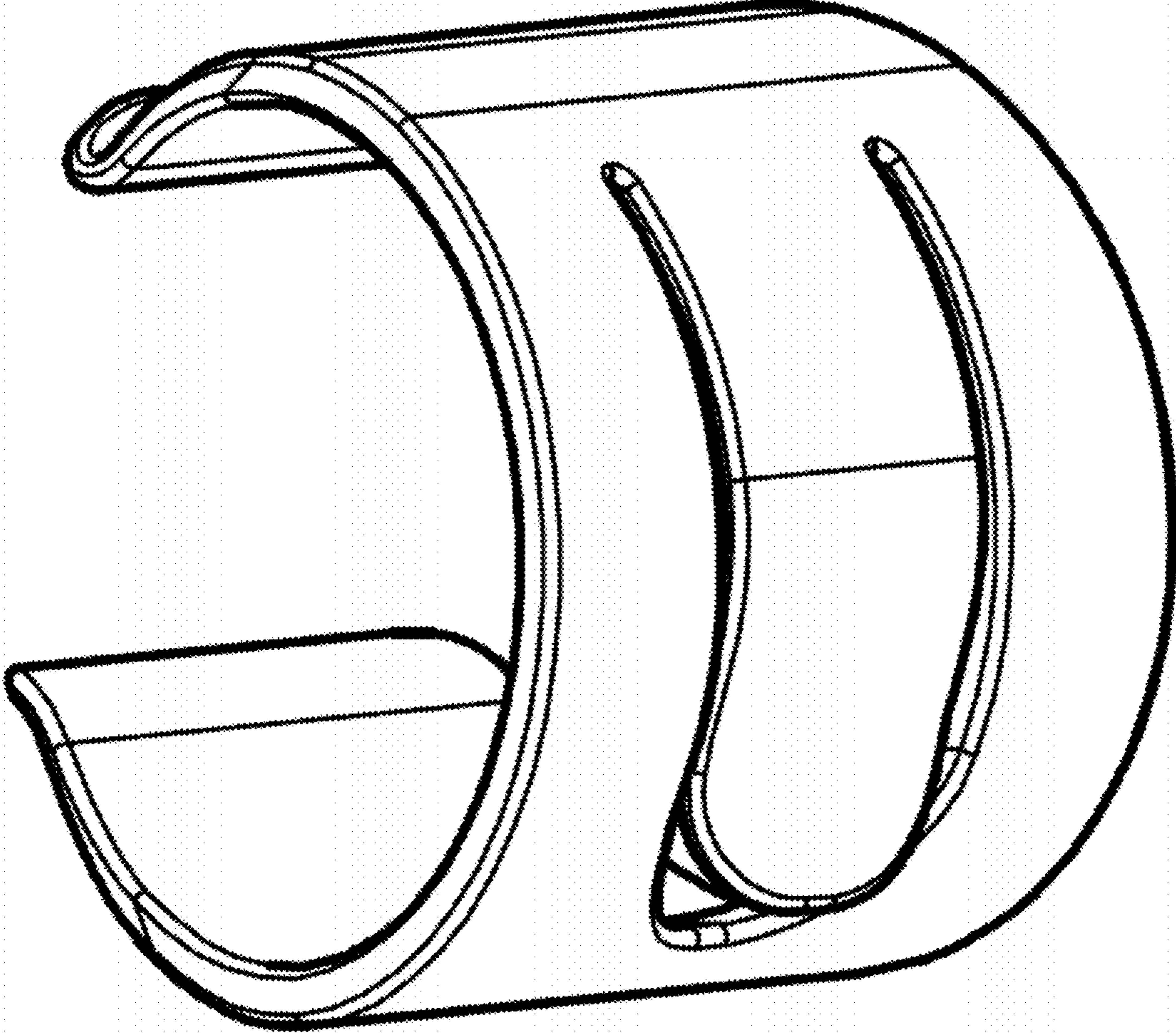


FIG. 1

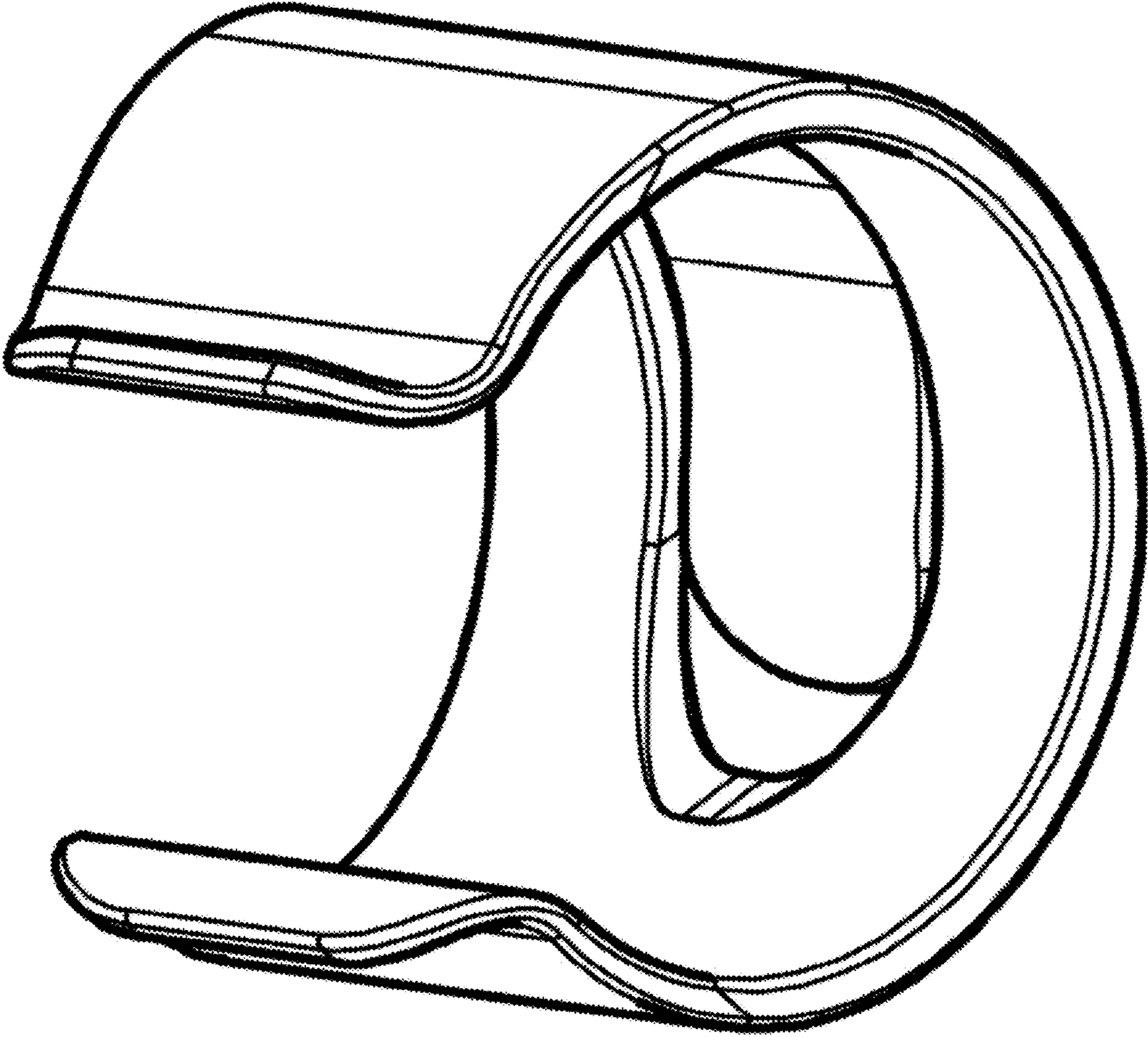


FIG. 2

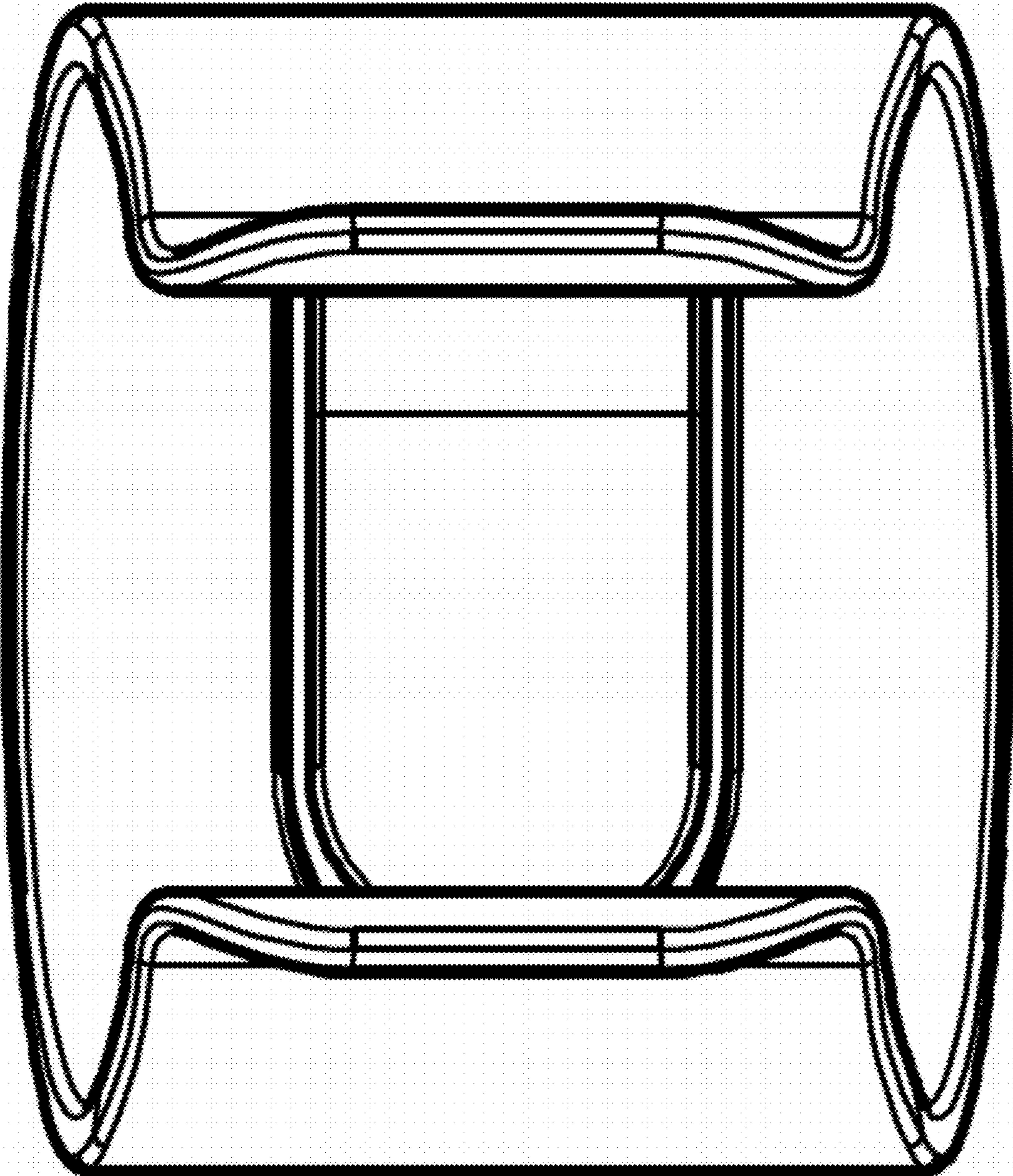


FIG. 3

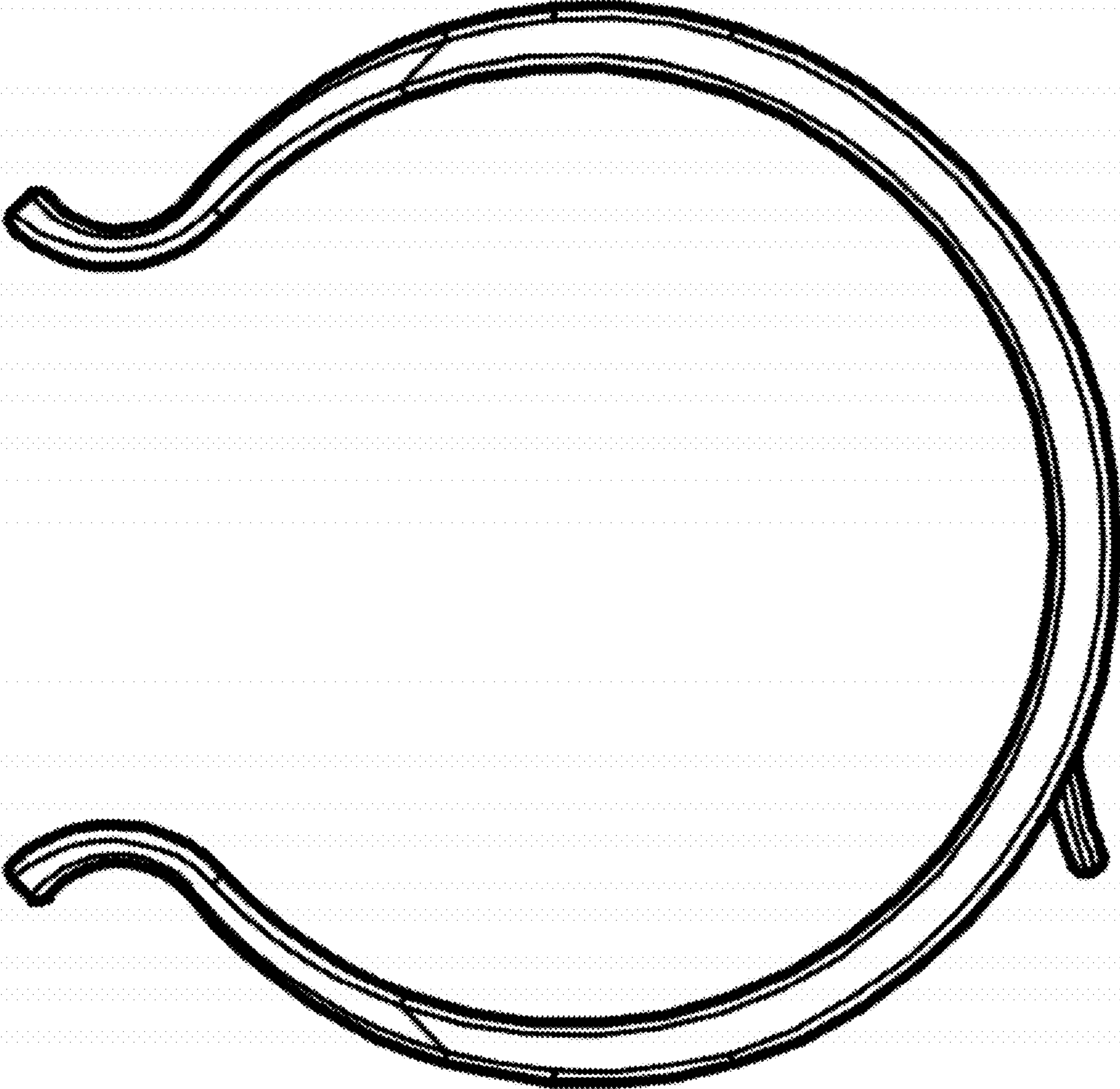


FIG. 4

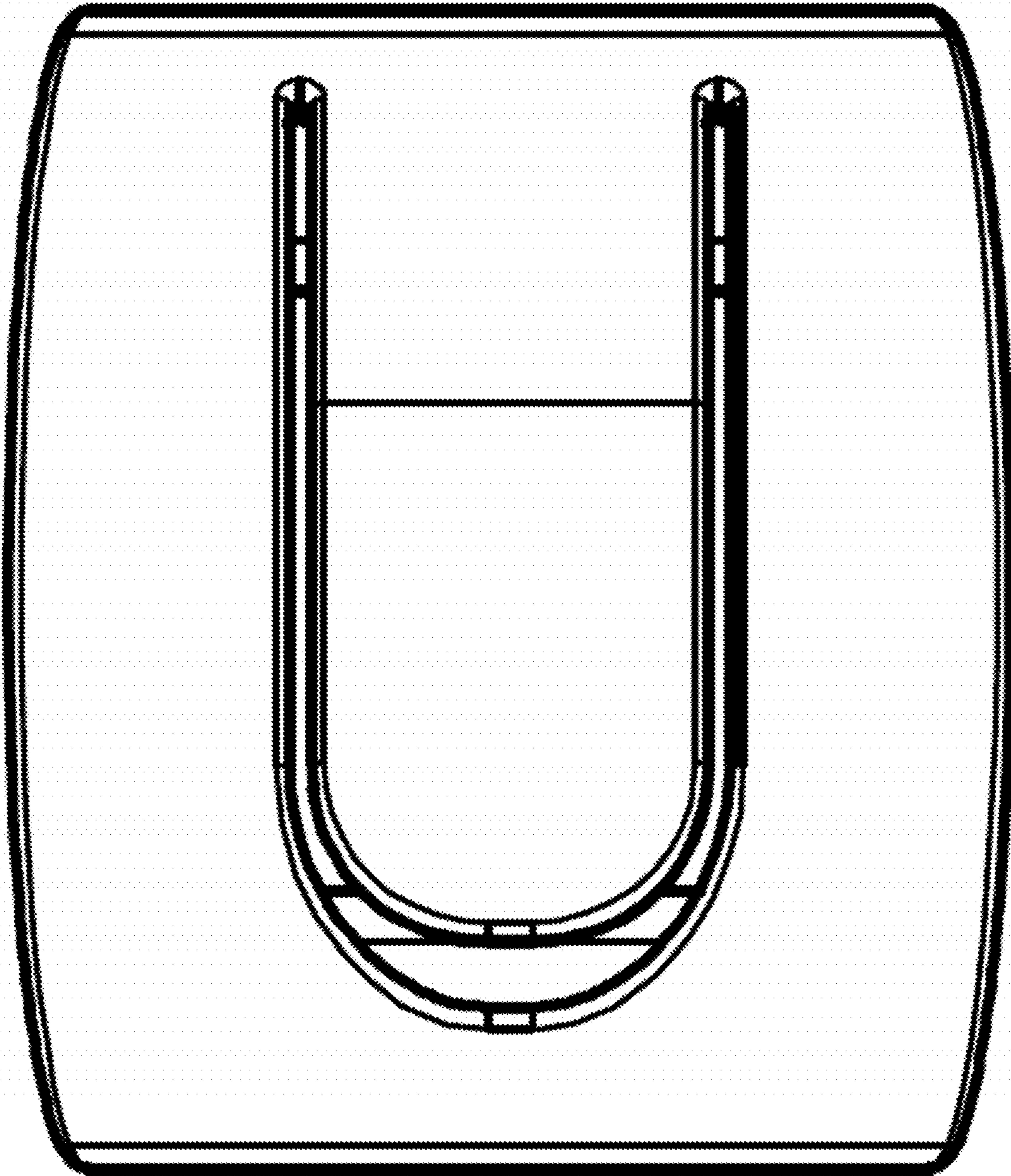


FIG. 5

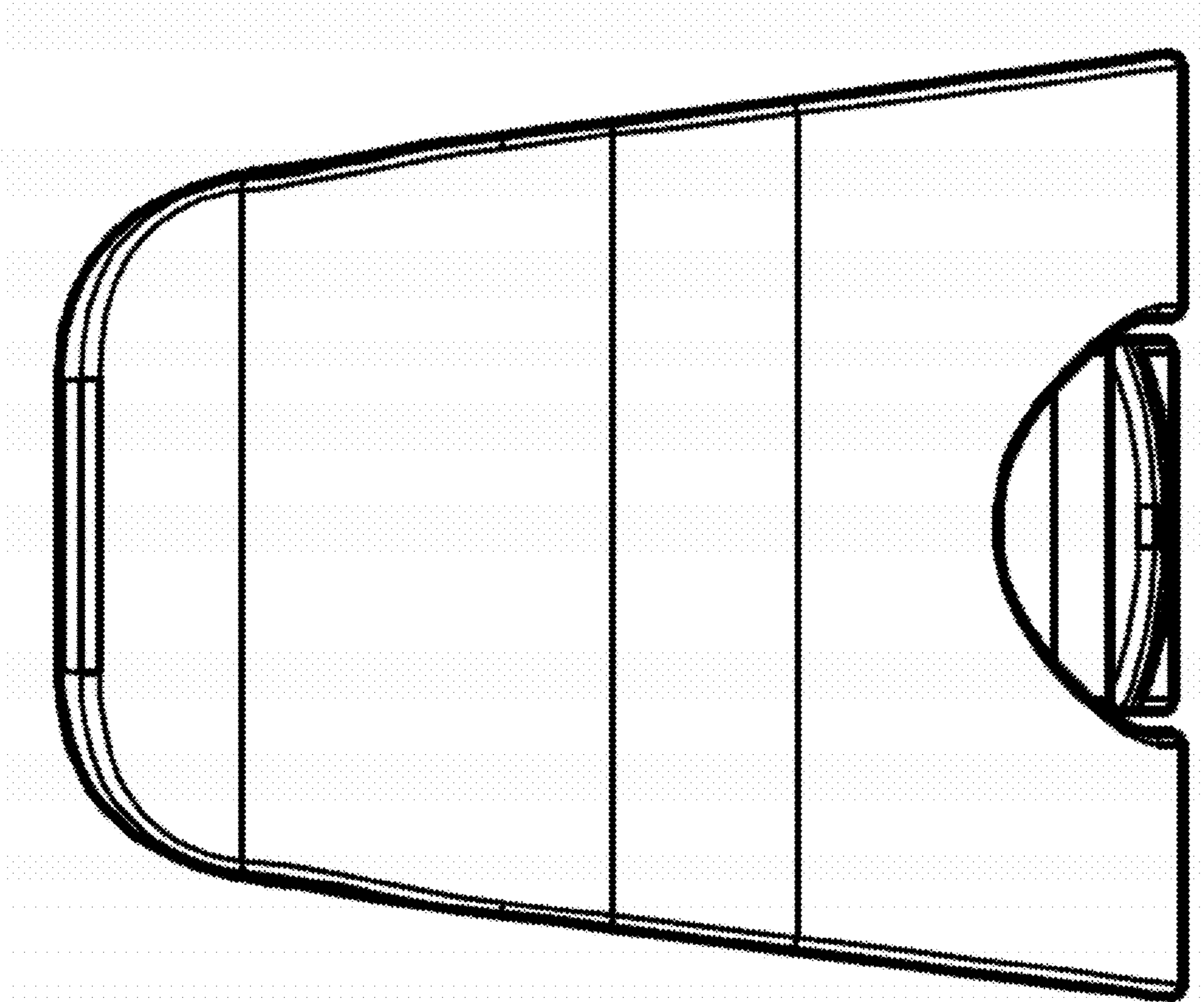


FIG. 6