



US00D734586S

(12) **United States Design Patent**
Thibault

(10) **Patent No.:** **US D734,586 S**
(45) **Date of Patent:** **** Jul. 14, 2015**

- (54) **PAINTERS WHEELED CADDY**
- (71) Applicant: **Richard Thibault**, Clinton Township, MI (US)
- (72) Inventor: **Richard Thibault**, Clinton Township, MI (US)
- (**) Term: **14 Years**
- (21) Appl. No.: **29/489,937**
- (22) Filed: **May 5, 2014**

- 3,752,494 A 8/1973 Dunn
- 3,874,531 A 4/1975 Mayo
- 4,067,485 A 1/1978 Soin
- 4,072,429 A 2/1978 Terzian et al.
- 4,217,062 A 8/1980 Trp et al.
- 4,449,322 A 5/1984 Blumenthal
- 4,458,963 A 7/1984 Keddie
- 4,588,318 A 5/1986 O'Brien et al.
- 4,635,951 A 1/1987 Berfield et al.
- D291,111 S 7/1987 Linn
- D292,533 S 10/1987 Saraga
- 4,715,296 A 12/1987 Wilkinson
- 4,717,276 A 1/1988 O'Brien et al.
- 4,790,610 A 12/1988 Welch et al.
- 4,832,355 A 5/1989 Hung
- 4,880,248 A 11/1989 Elmer
- 4,993,726 A 2/1991 Schumacher et al.
- 4,998,023 A 3/1991 Kitts
- 5,002,293 A 3/1991 Gottselig

Related U.S. Application Data

- (63) Continuation of application No. 12/207,583, filed on Sep. 10, 2008, now abandoned.

- (51) **LOC (10) Cl.** **12-02**
- (52) **U.S. Cl.**
USPC **D34/14**
- (58) **Field of Classification Search**
USPC D34/12-27; D32/53, 53.1, 54;
15/257.05, 257.06, 206, 262, 264;
280/79.5, 47.16, 47.34, 47.35
CPC A45D 34/046; B62B 2202/028; B62B
5/0083; B62B 3/02; B62B 3/10; B62B 3/006
See application file for complete search history.

(56) **References Cited**

U.S. PATENT DOCUMENTS

- 1,583,161 A 5/1926 Malott
- 1,759,749 A 5/1930 Chester
- 2,648,545 A 8/1953 Cassidy
- 2,840,384 A 1/1956 Bard
- 2,922,176 A 6/1958 Bernhardt
- 2,862,220 A 12/1958 Orr
- 2,935,210 A 5/1960 Philip
- 3,157,902 A 11/1964 Hardwick
- 3,523,702 A 8/1970 Unti et al.
- 3,558,152 A 1/1971 Miles et al.
- 3,663,982 A 5/1972 Hayden

(Continued)

FOREIGN PATENT DOCUMENTS

- GB 2282631 A 4/1995
- WO 2008096339 A2 8/2008

Primary Examiner — Cynthia Ramirez

(74) *Attorney, Agent, or Firm* — The Dobrusin Law Firm, P.C.

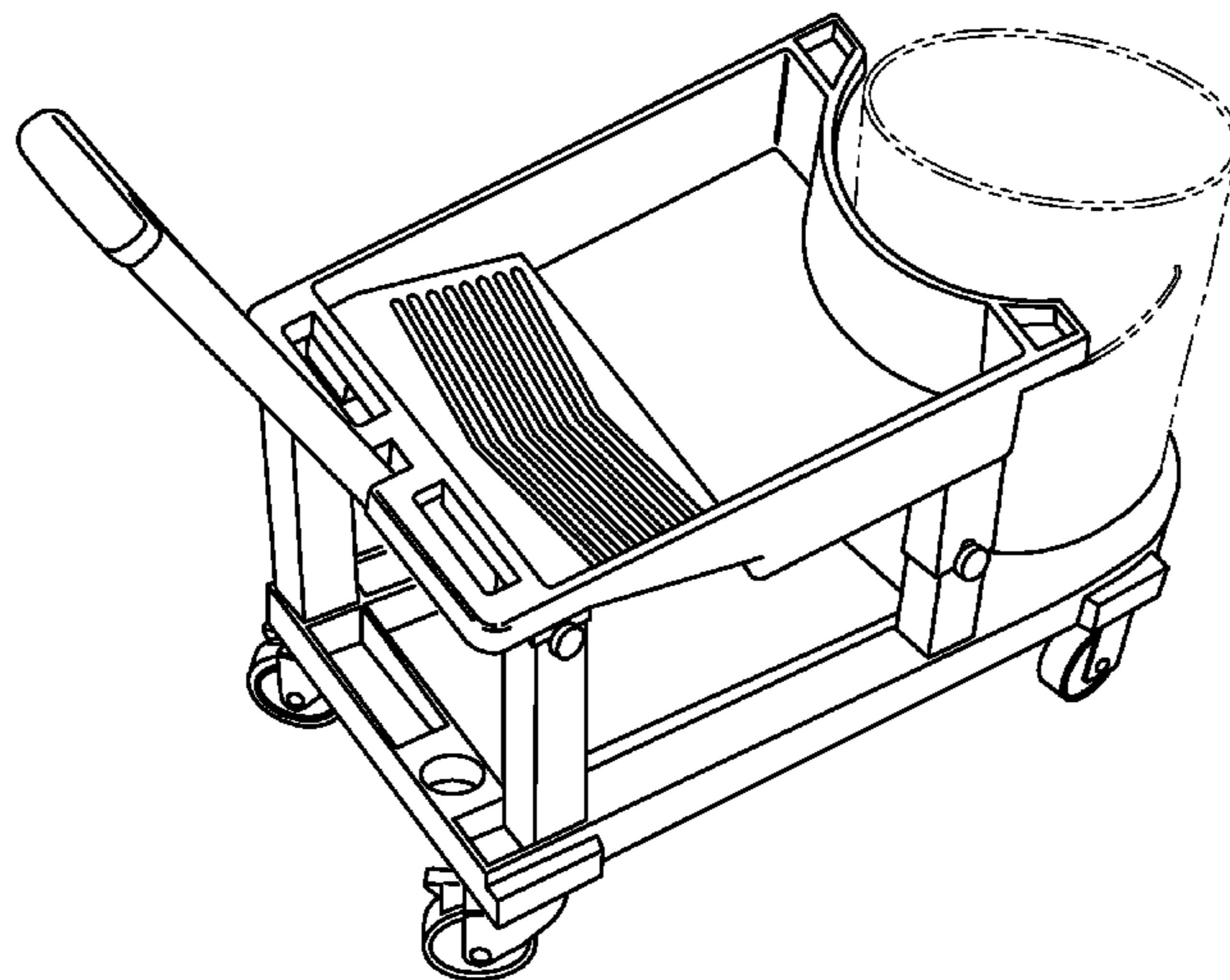
(57) **CLAIM**

The ornamental design for a painters wheeled caddy, as shown and described.

DESCRIPTION

FIG. 1 is a perspective view of a painters wheeled caddy showing my new design;
 FIG. 2 is a left side elevation view thereof;
 FIG. 3 is a right side elevation view thereof;
 FIG. 4 is a rear view thereof;
 FIG. 5 is a top plan view thereof; and,
 FIG. 6 is a front view thereof.

1 Claim, 3 Drawing Sheets



(56)

References Cited

U.S. PATENT DOCUMENTS

| | | | | | | | |
|-----------|------|---------|--------------------------|--------------|------|---------|-------------------------------|
| 5,004,255 | A | 4/1991 | Briggs | 6,547,264 | B1 | 4/2003 | Blackburn |
| 5,046,749 | A | 9/1991 | Owens | 6,590,184 | B1 | 7/2003 | Andersen |
| 5,107,775 | A | 4/1992 | Langlais et al. | 6,669,214 | B1 | 12/2003 | Domis |
| 5,156,411 | A | 10/1992 | Owens | 6,695,325 | B2 | 2/2004 | Carrillo |
| 5,190,303 | A | 3/1993 | Schumacher et al. | 6,698,771 | B1 | 3/2004 | Bergeron |
| 5,318,314 | A | 6/1994 | Cyphers et al. | D490,197 | S | 5/2004 | Goulet |
| 5,341,969 | A | 8/1994 | Accardo et al. | 6,746,039 | B2 | 6/2004 | Perelli |
| 5,380,033 | A * | 1/1995 | Harling 280/654 | 6,935,644 | B1 | 8/2005 | Oranday |
| D355,287 | S | 2/1995 | Camp, Jr. | 7,204,374 | B2 | 4/2007 | Marek |
| D356,198 | S * | 3/1995 | Litin D34/24 | 7,357,398 | B2 | 4/2008 | O'Connor |
| 5,460,391 | A | 10/1995 | Gantz et al. | D569,567 | S | 5/2008 | Kohn |
| D366,747 | S * | 1/1996 | Litin et al. D34/24 | 7,424,959 | B1 | 9/2008 | Biebel |
| 5,518,127 | A | 5/1996 | Warmack et al. | 7,516,704 | B2 | 4/2009 | Snider et al. |
| 5,642,830 | A | 7/1997 | Foster | 7,648,147 | B2 | 1/2010 | Lauer et al. |
| D383,579 | S | 9/1997 | Samson | 7,658,388 | B1 | 2/2010 | Rodriguez et al. |
| 5,727,708 | A | 3/1998 | Erickson | 7,661,685 | B2 * | 2/2010 | Thibault 280/47.35 |
| 5,806,867 | A | 9/1998 | Hampton | 7,758,055 | B2 | 7/2010 | Martinez |
| D409,808 | S * | 5/1999 | Zorzo D34/17 | 7,871,090 | B2 * | 1/2011 | Staub 280/79.5 |
| 5,931,595 | A | 8/1999 | Van Oost | D654,239 | S * | 2/2012 | Hurt D32/53 |
| 5,984,129 | A | 11/1999 | Pasinski | D660,540 | S * | 5/2012 | Thompson et al. D34/17 |
| 6,027,128 | A | 2/2000 | Stich et al. | D675,391 | S * | 1/2013 | Arvinte et al. D32/53.1 |
| 6,053,516 | A | 4/2000 | Ottaway | D694,975 | S * | 12/2013 | Lambertson et al. D32/53 |
| 6,079,720 | A | 6/2000 | Spear et al. | 2003/0102644 | A1 | 6/2003 | Figuroa |
| 6,095,746 | A | 8/2000 | Bergin | 2004/0227315 | A1 | 11/2004 | VanLandingham |
| 6,334,622 | B1 * | 1/2002 | Romero 280/47.26 | 2005/0103238 | A1 | 5/2005 | Paventi |
| 6,471,086 | B1 | 10/2002 | Fleckenstein | 2006/0103090 | A1 | 5/2006 | Fernandes et al. |
| 6,497,423 | B1 | 12/2002 | Perelli et al. | 2007/0182114 | A1 | 8/2007 | Fernandes et al. |
| | | | | 2007/0210547 | A1 | 9/2007 | Ellis |
| | | | | 2009/0026721 | A1 * | 1/2009 | Martinez 280/79.5 |

* cited by examiner

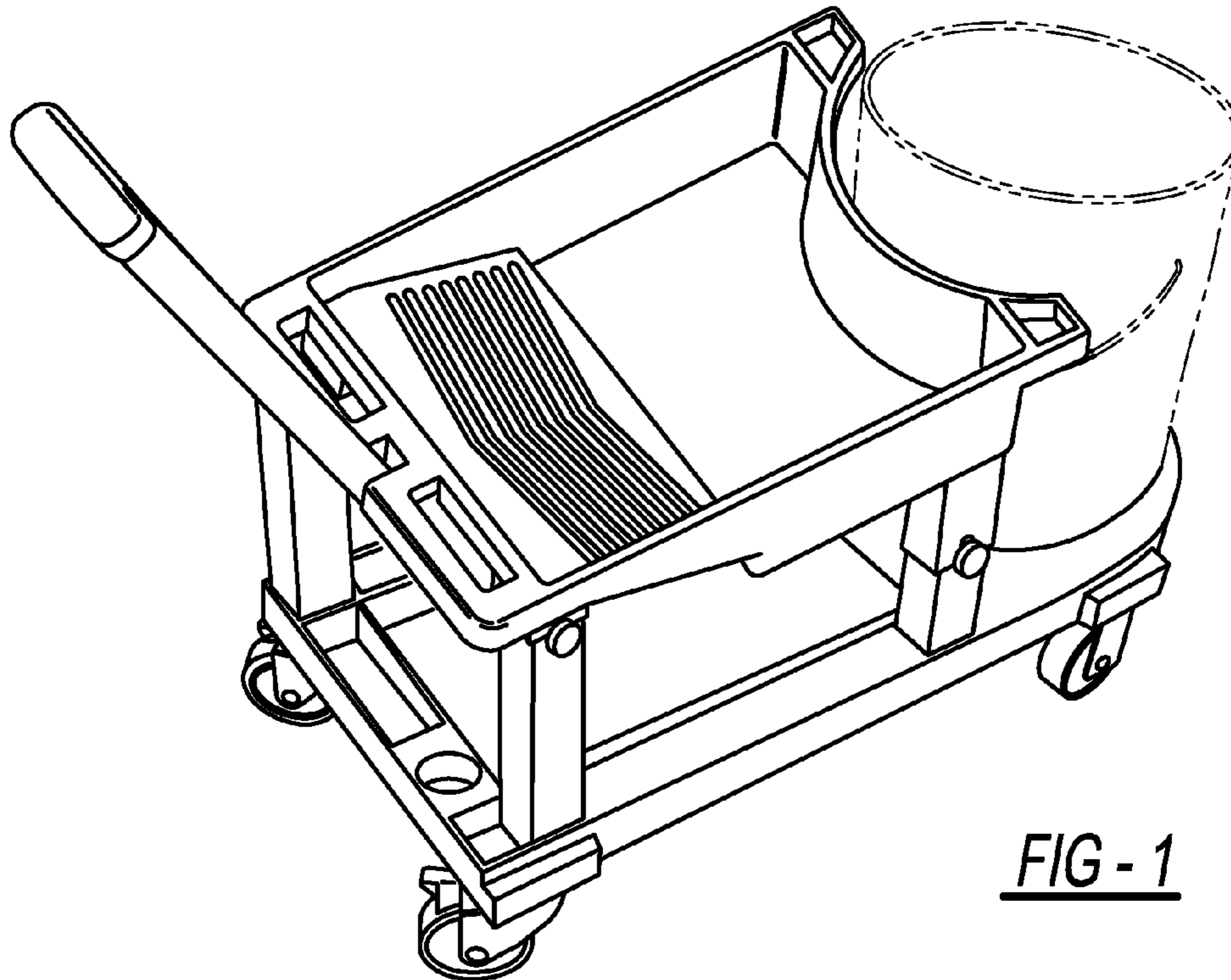


FIG - 1

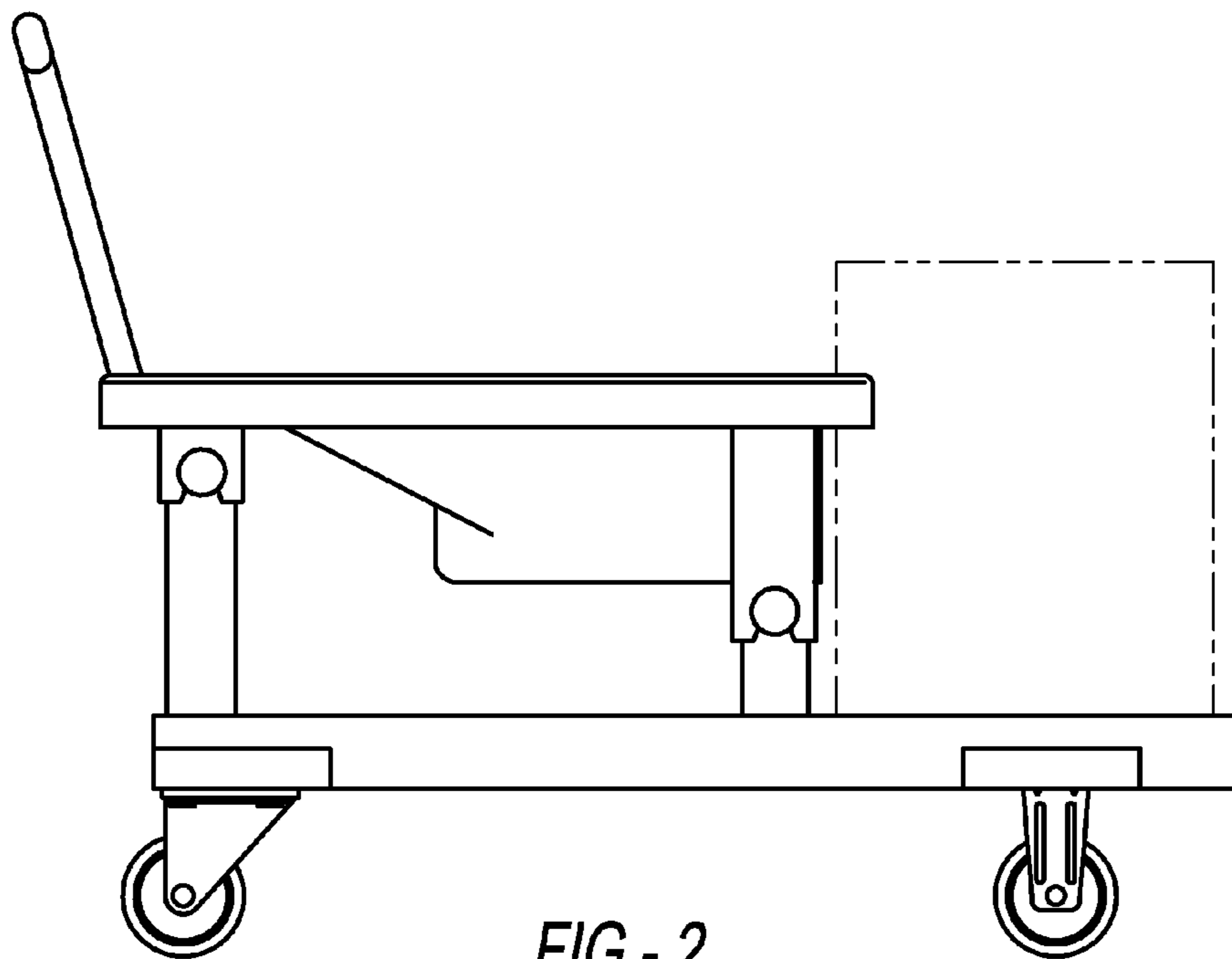


FIG - 2

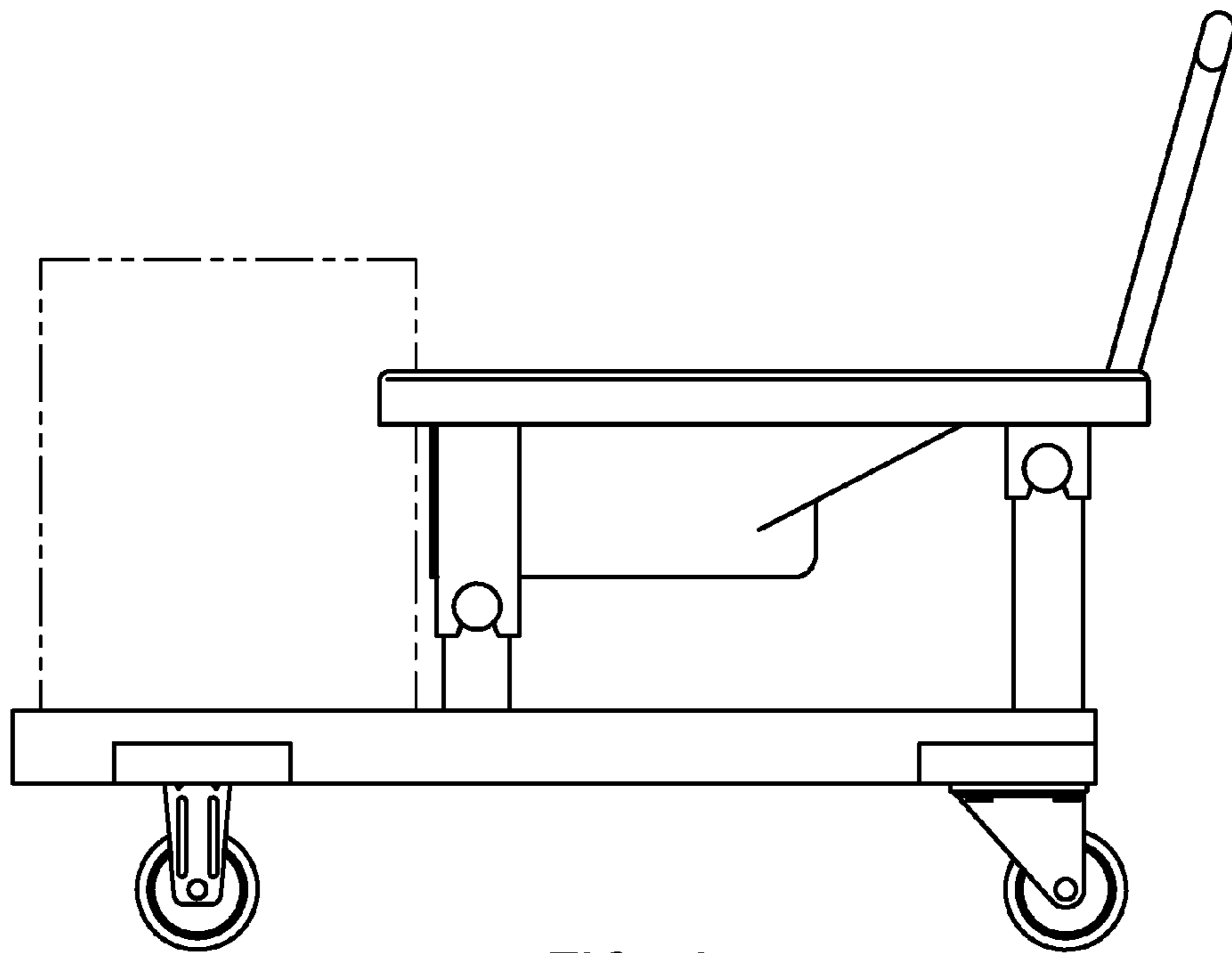


FIG - 3

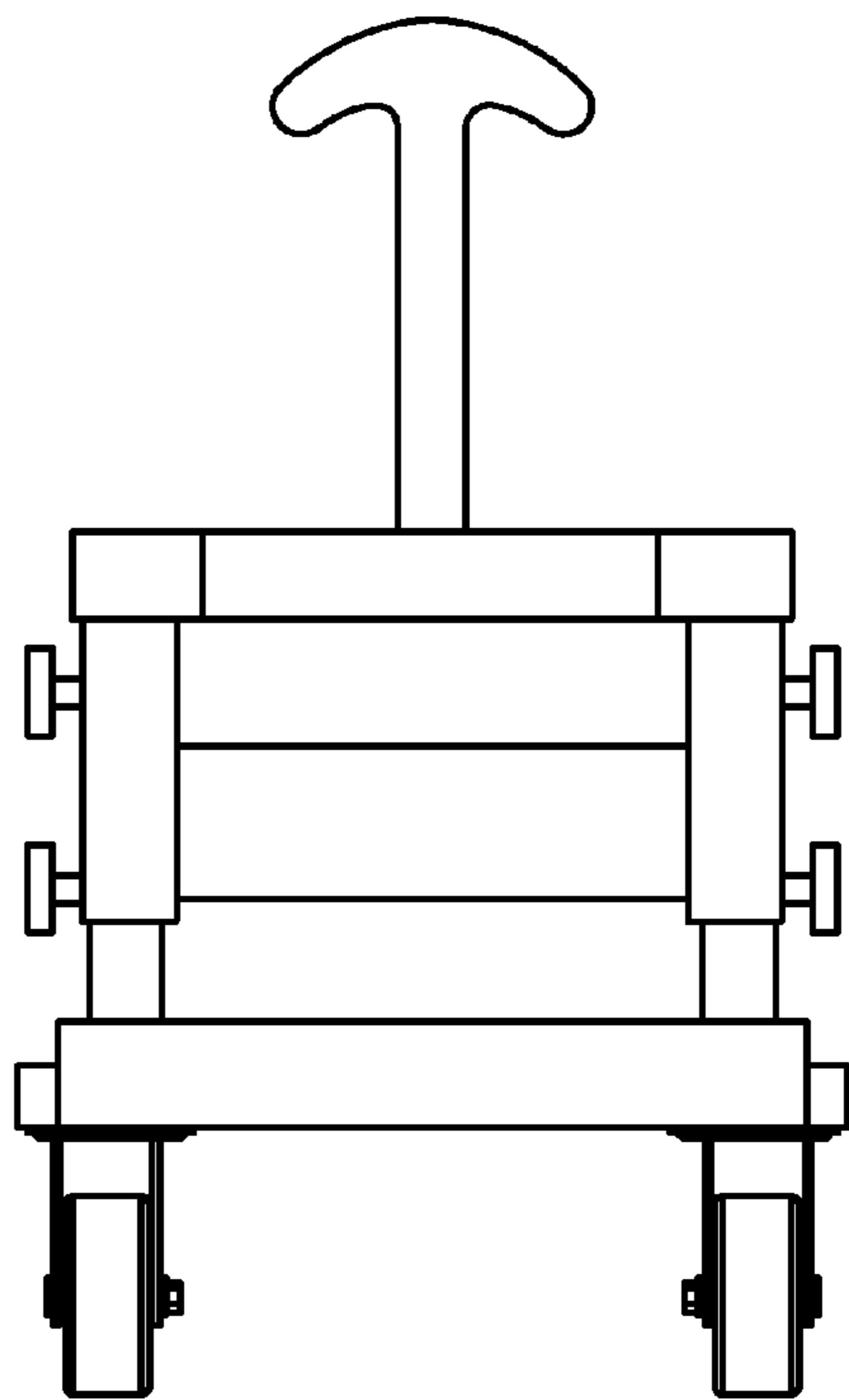


FIG - 4

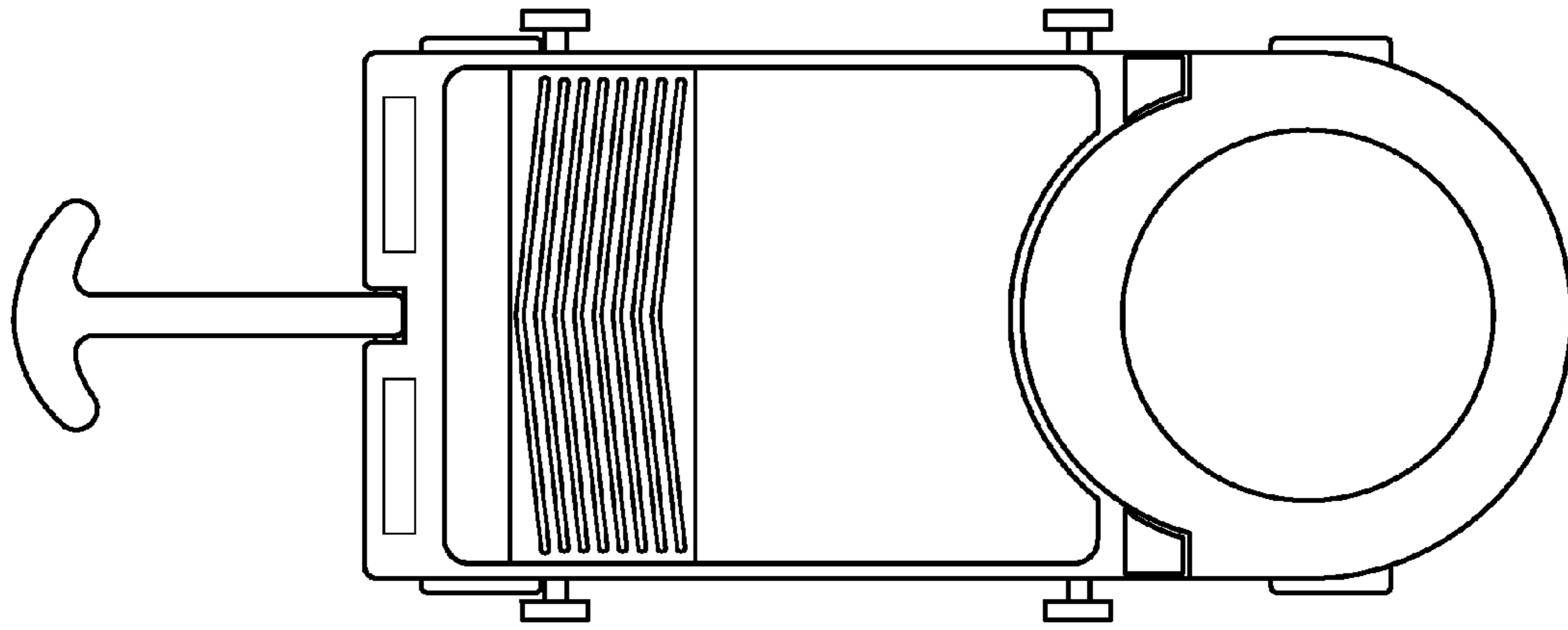


FIG - 5

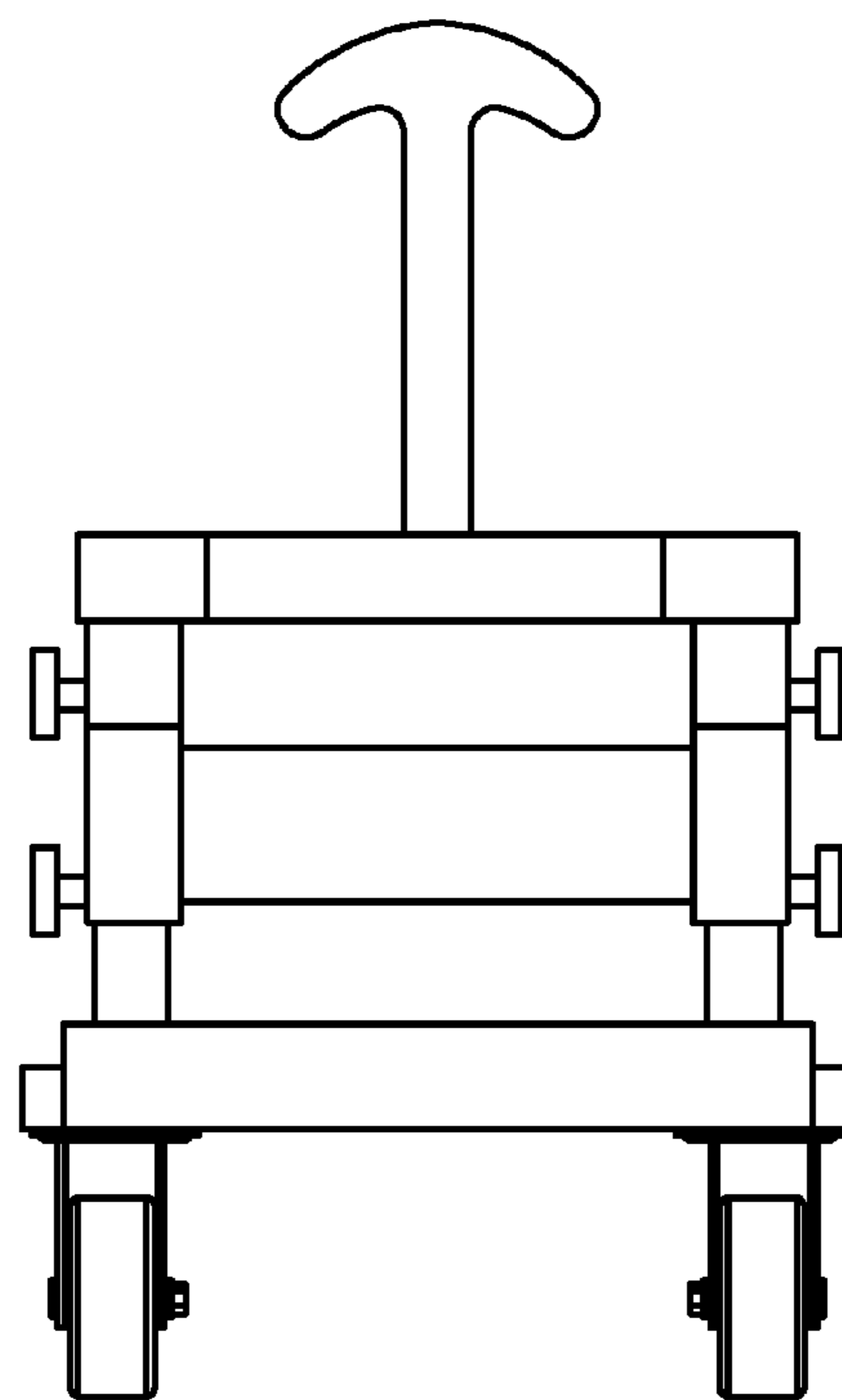


FIG - 6