

US00D734585S

(12) **United States Design Patent**
Brennan

(10) **Patent No.:** **US D734,585 S**
(45) **Date of Patent:** **** Jul. 14, 2015**

(54) **PET WASTE CONTAINER**

D581,105 S * 11/2008 Niskanen D30/153
D615,256 S 5/2010 Emerson
D631,134 S * 1/2011 German et al. D23/234

(71) Applicant: **Kathleen Brennan**, Laguna Beach, CA
(US)

* cited by examiner

(72) Inventor: **Kathleen Brennan**, Laguna Beach, CA
(US)

Primary Examiner — Cynthia Ramirez

(74) *Attorney, Agent, or Firm* — QuickPatents; Kevin Prince

(**) Term: **14 Years**

(57) **CLAIM**

(21) Appl. No.: **29/489,117**

I claim the ornamental design for a pet waste container, as shown and described.

(22) Filed: **Apr. 25, 2014**

DESCRIPTION

(51) **LOC (10) Cl.** **09-09**

(52) **U.S. Cl.**

USPC **D34/4**

(58) **Field of Classification Search**

USPC D34/1-11; 220/908, 908.1; D30/161;
137/272, 274, 283; 251/142, 144-148,
251/149.1

CPC B65F 1/06; B65F 1/1615; B65F 1/1607;
B65F 1/163; B65F 1/16; B65F 1/062; B65F
1/068; F02D 9/00; F02D 2700/0235

See application file for complete search history.

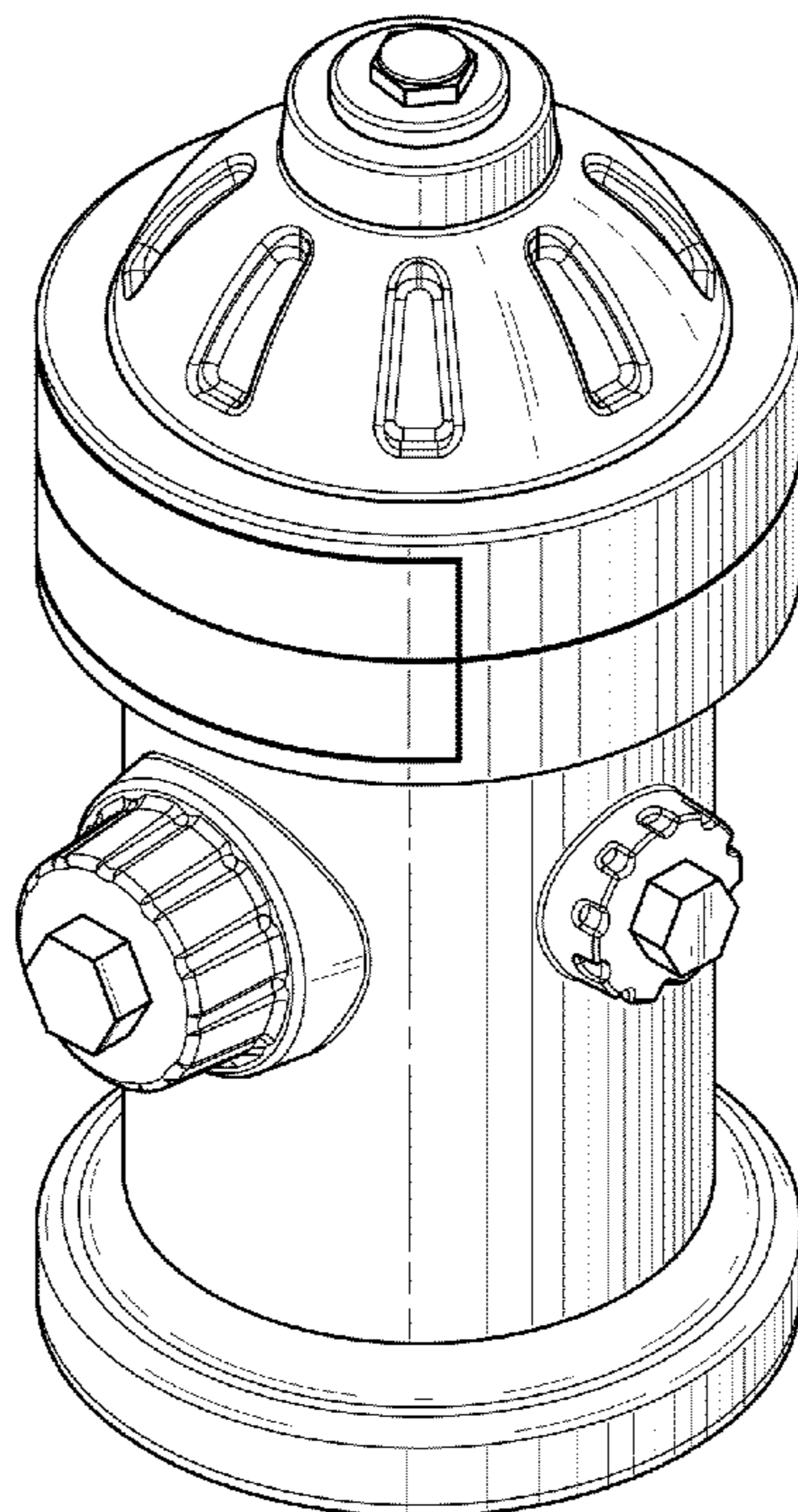
(56) **References Cited**

U.S. PATENT DOCUMENTS

D240,062 S *	5/1976	Satten	D21/483
D262,555 S *	1/1982	Skubic	D21/483
D282,109 S *	1/1986	Golden et al.	D29/126
D307,402 S *	4/1990	Rouse et al.	D11/157
D328,620 S *	8/1992	Maple	D21/483
D480,243 S *	10/2003	Edwards et al.	D6/515
D488,575 S *	4/2004	Aguilera	D26/40
D538,097 S *	3/2007	Godinger	D7/301

FIG. 1 is a perspective view of a pet waste container, showing my new design in a closed configuration;
FIG. 2 is a front elevational view of FIG. 1;
FIG. 3 is a rear elevational view of FIG. 1;
FIG. 4 is a right-side elevational view of FIG. 1, the left-side elevational view being a mirror image thereof;
FIG. 5 is a top plan view of FIG. 1;
FIG. 6 is a bottom plan view of FIG. 1;
FIG. 7 is a perspective view thereof, illustrated in a drawer-open configuration;
FIG. 8 is a right-side elevational view of FIG. 8, the left-side elevational view being a mirror image thereof;
FIG. 9 is a top plan view of FIG. 8;
FIG. 10 is a bottom plan view of FIG. 8;
FIG. 11 is a perspective view thereof, illustrated in a top-open configuration;
FIG. 12 is a right-side elevational view of FIG. 11, the left-side elevational view being a mirror image thereof; and,
FIG. 13 is a front elevational view of FIG. 11.

1 Claim, 8 Drawing Sheets



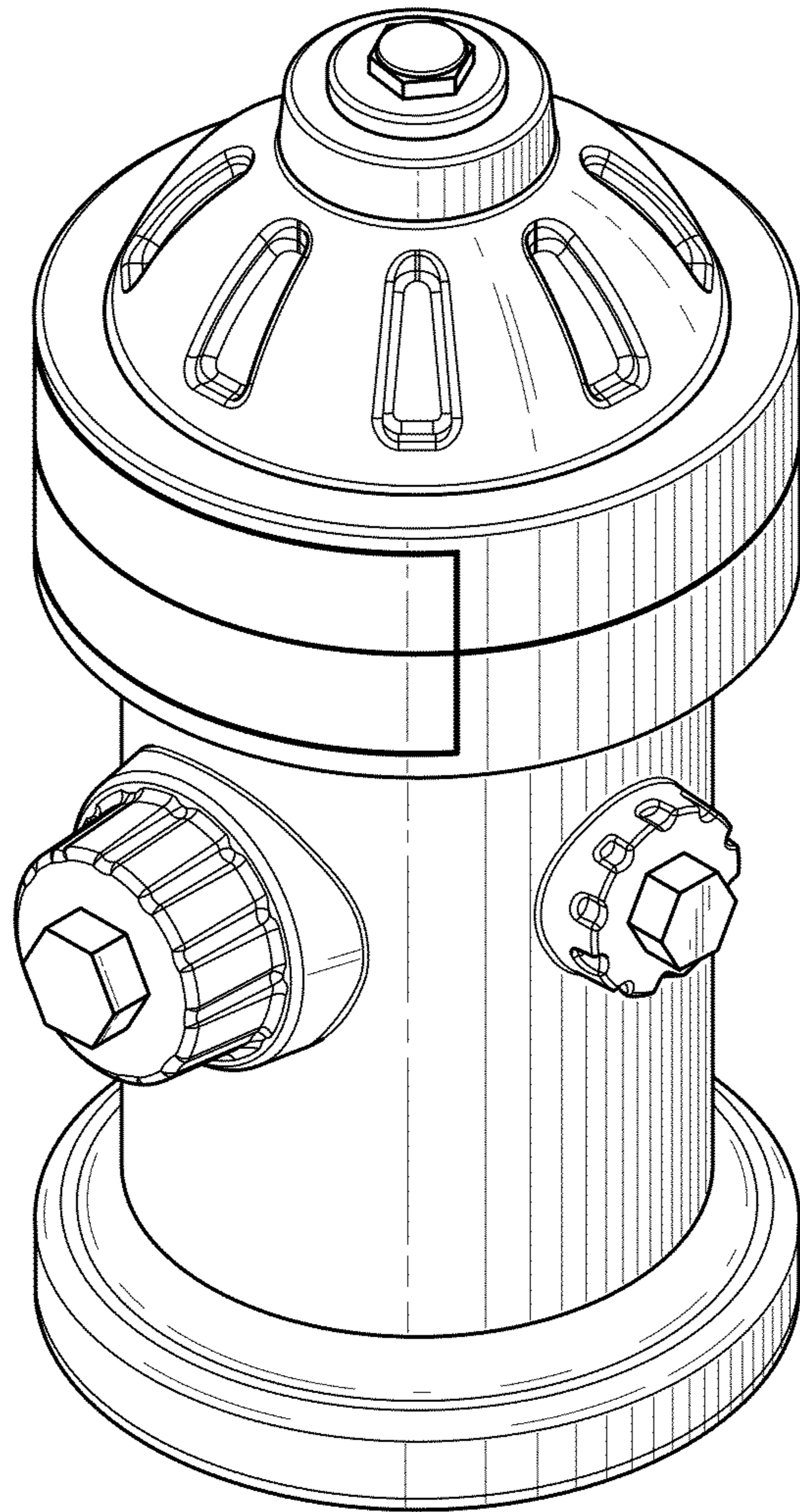


FIG. 1

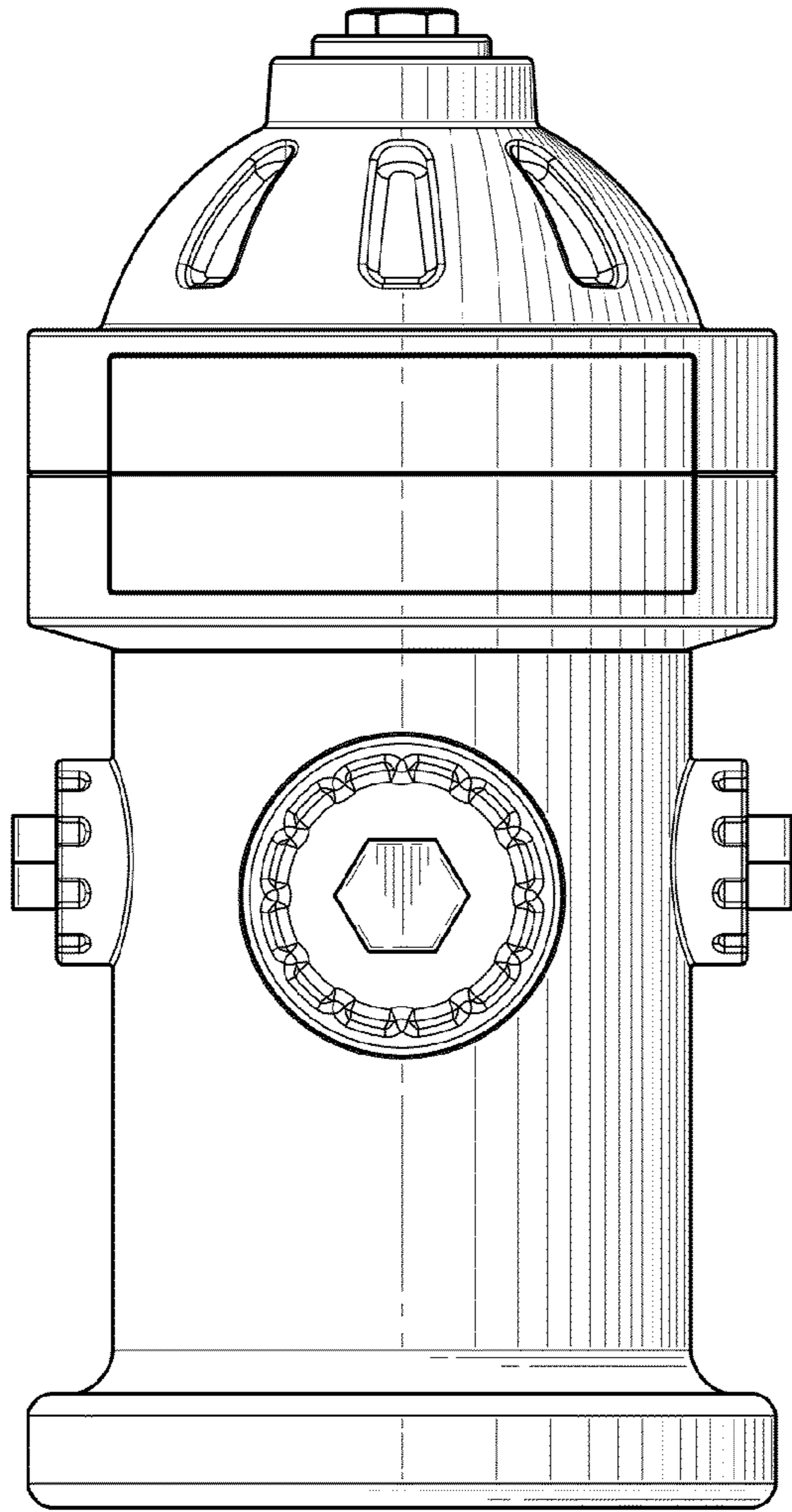


FIG. 2

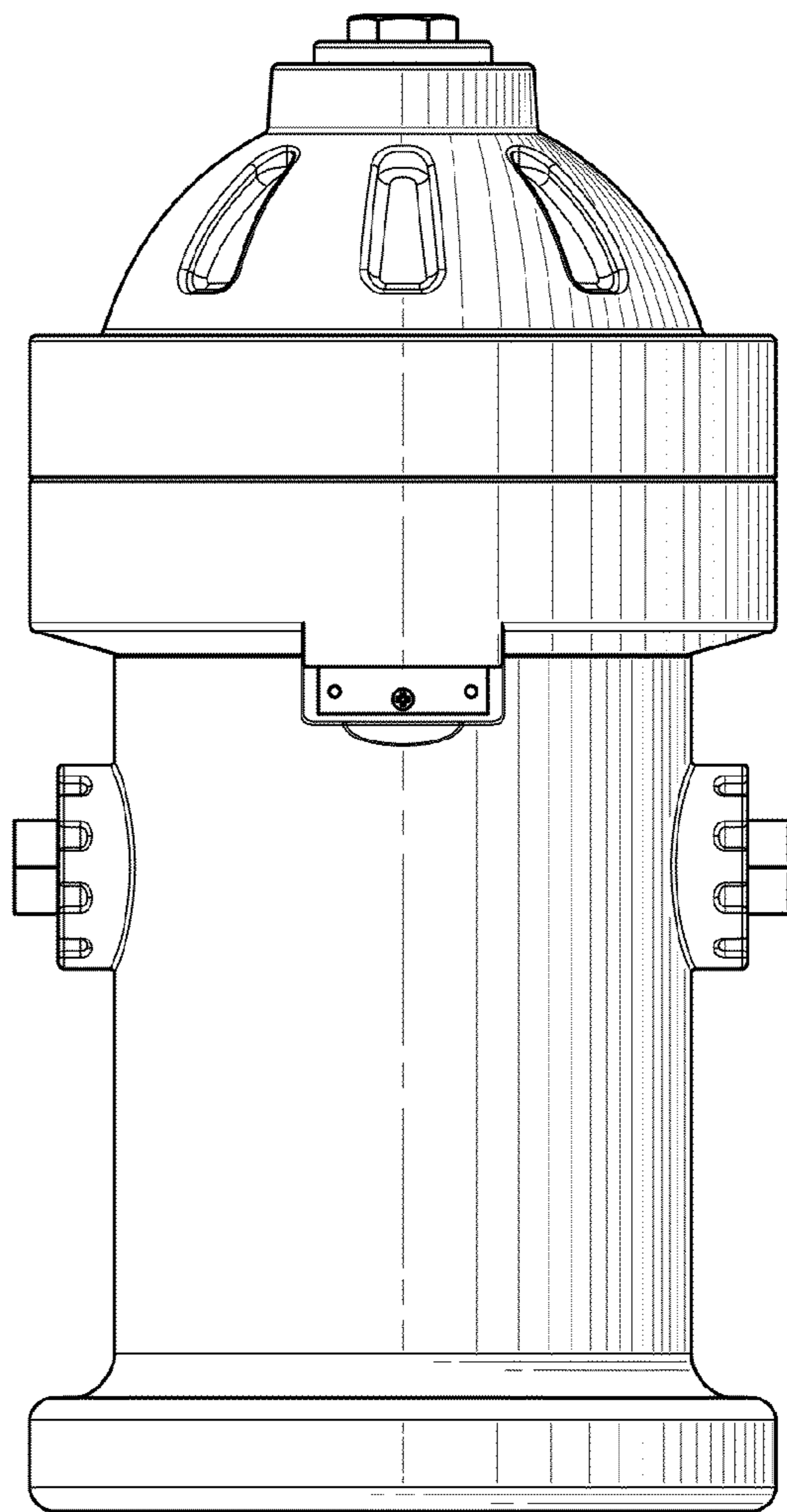


FIG. 3

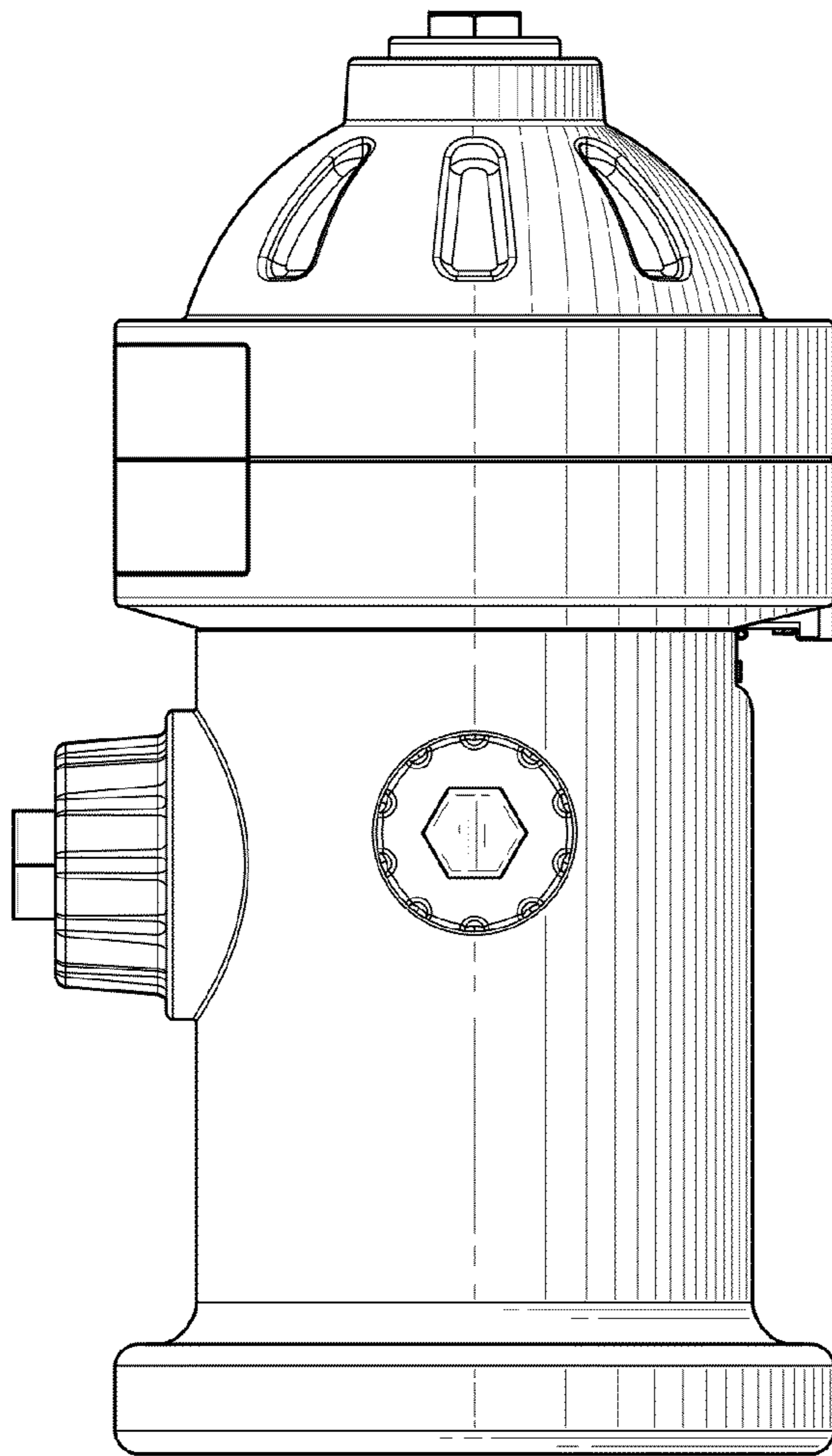


FIG. 4

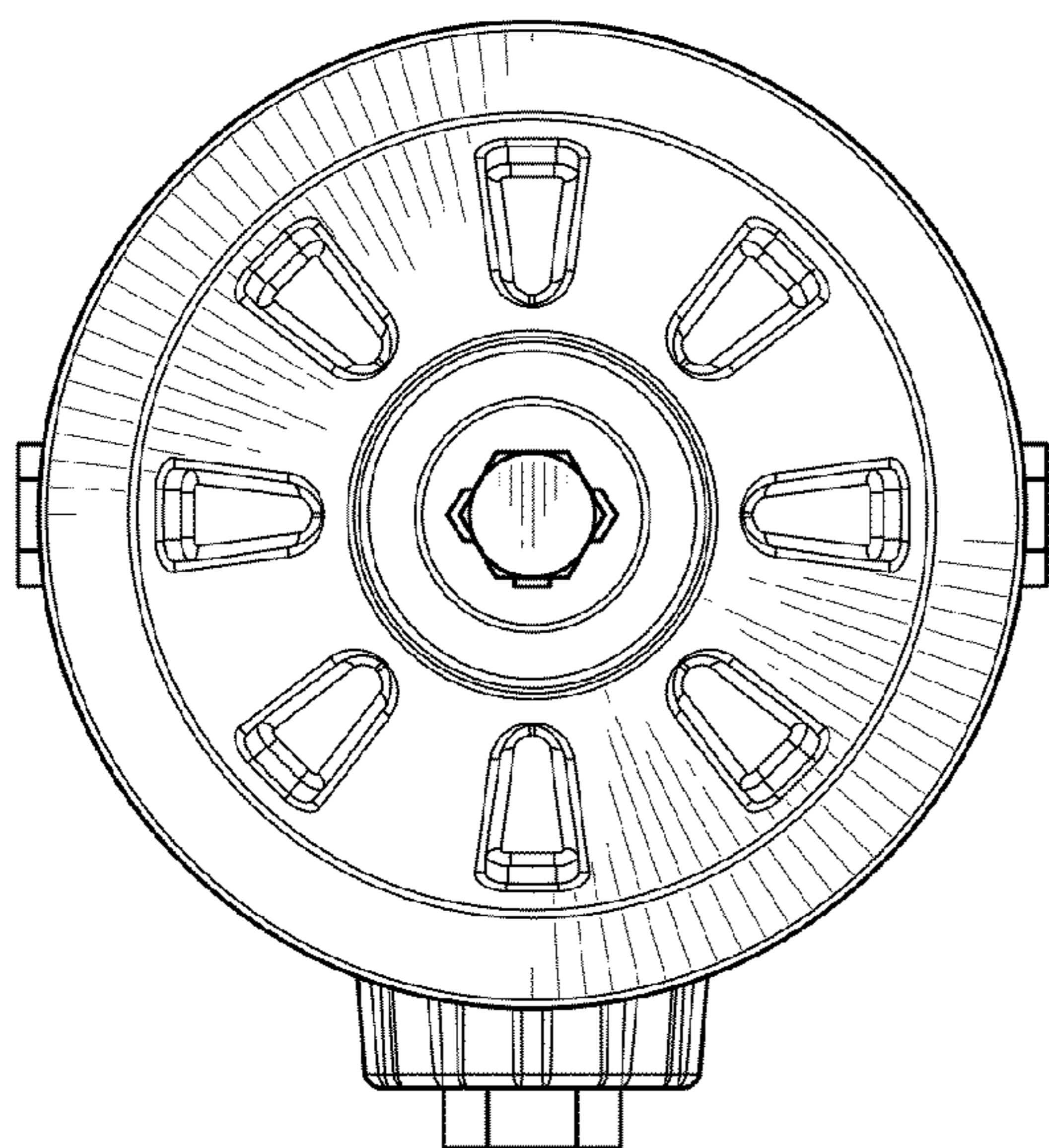


FIG. 5

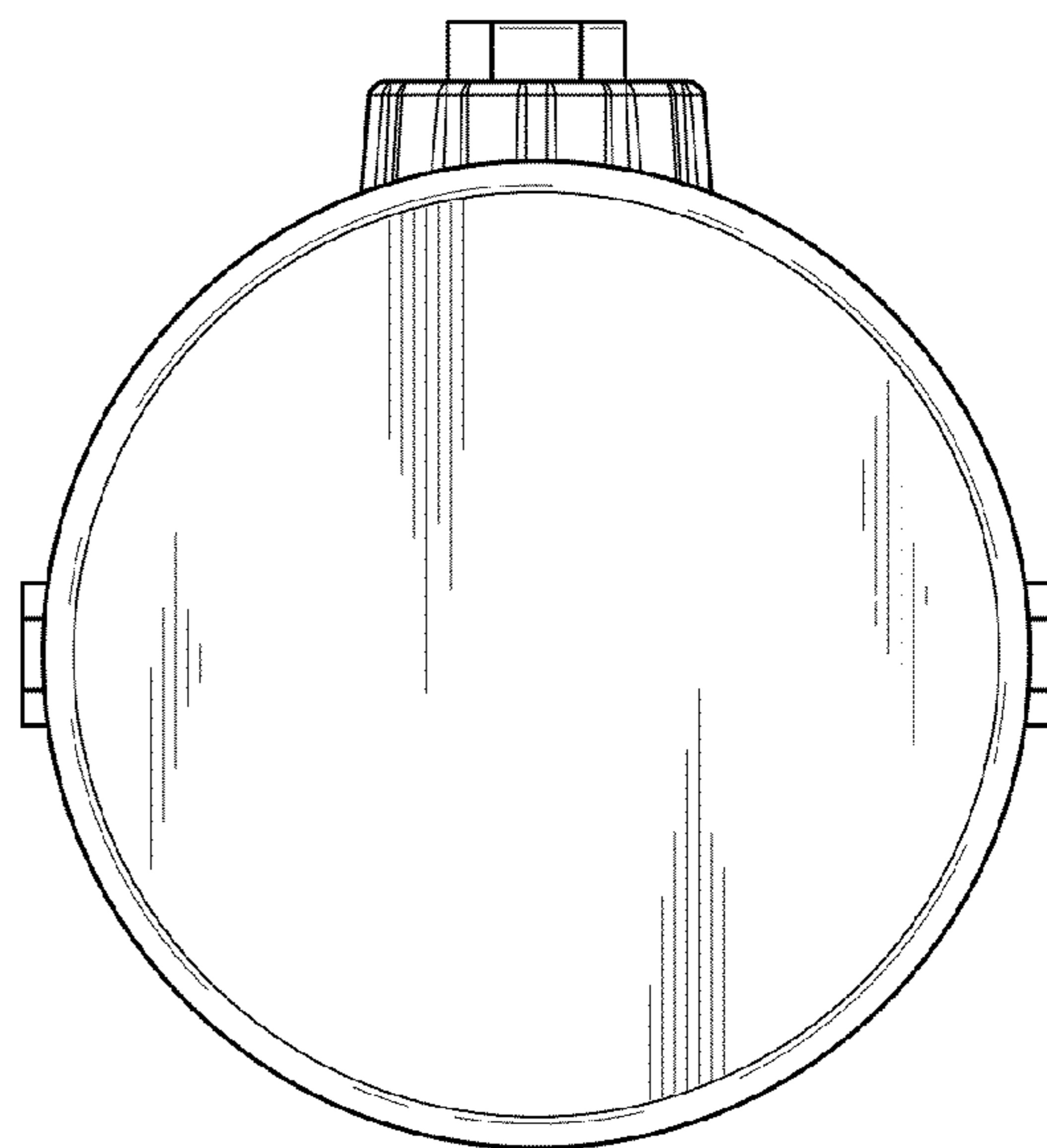


FIG. 6

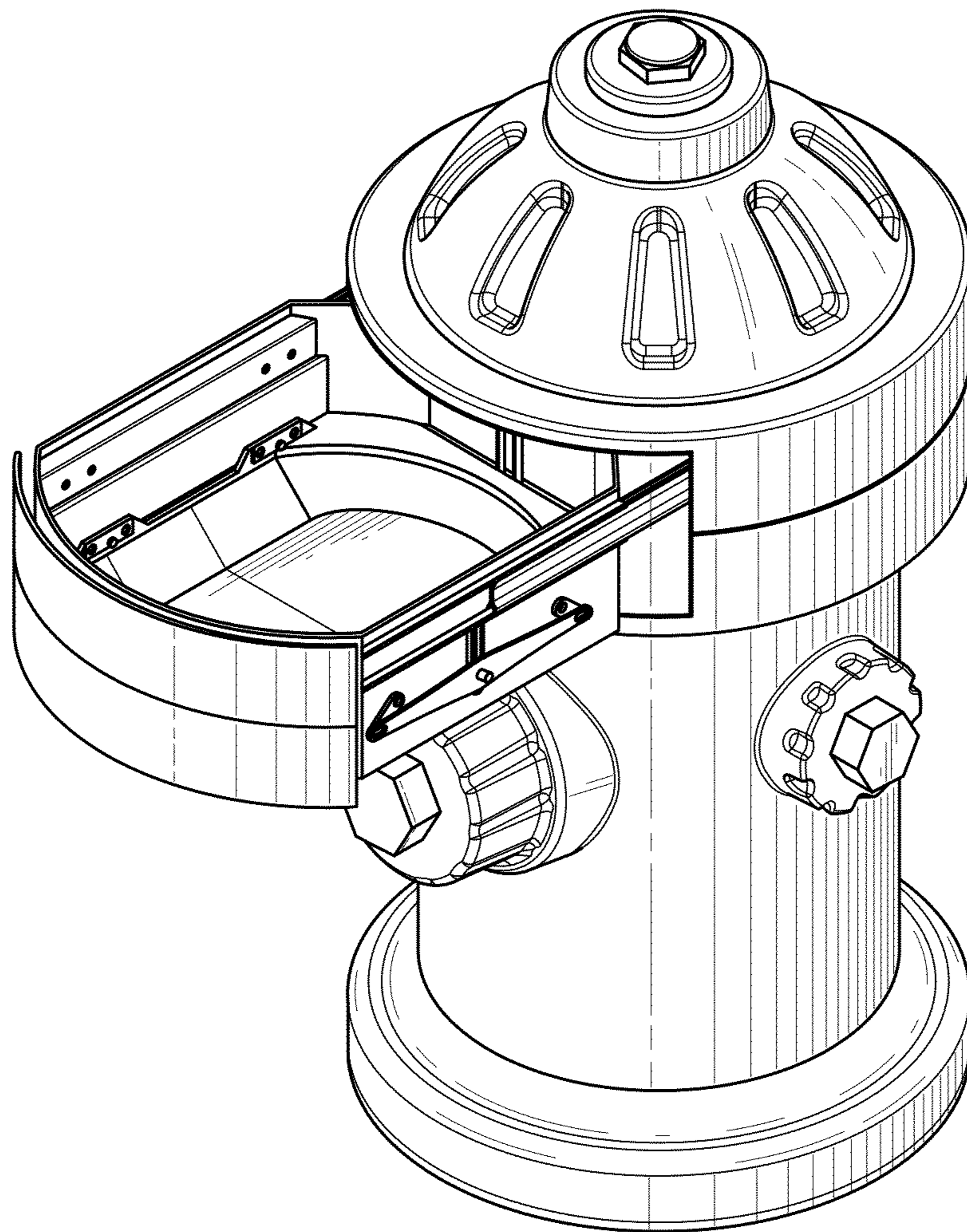


FIG. 7

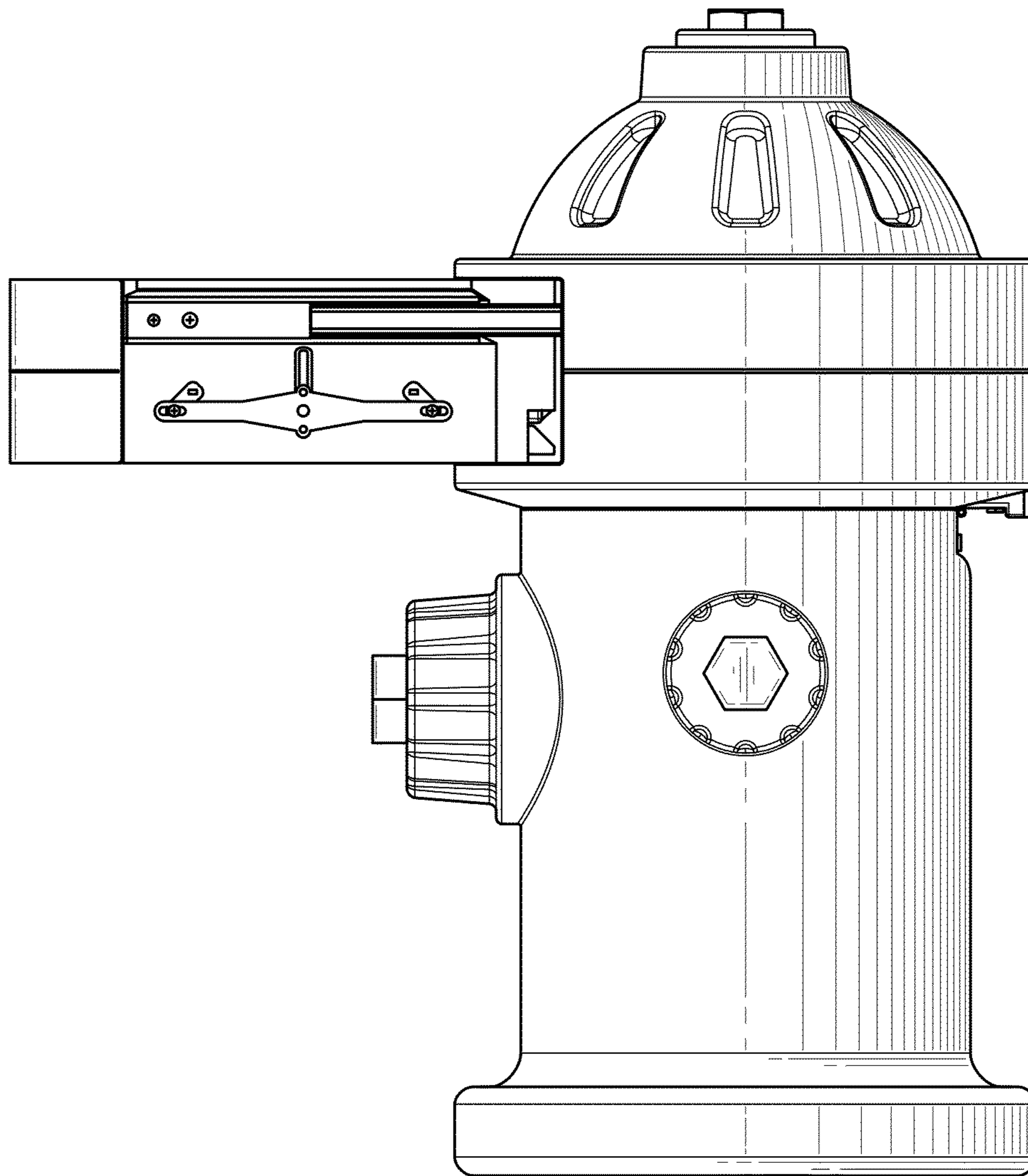


FIG. 8

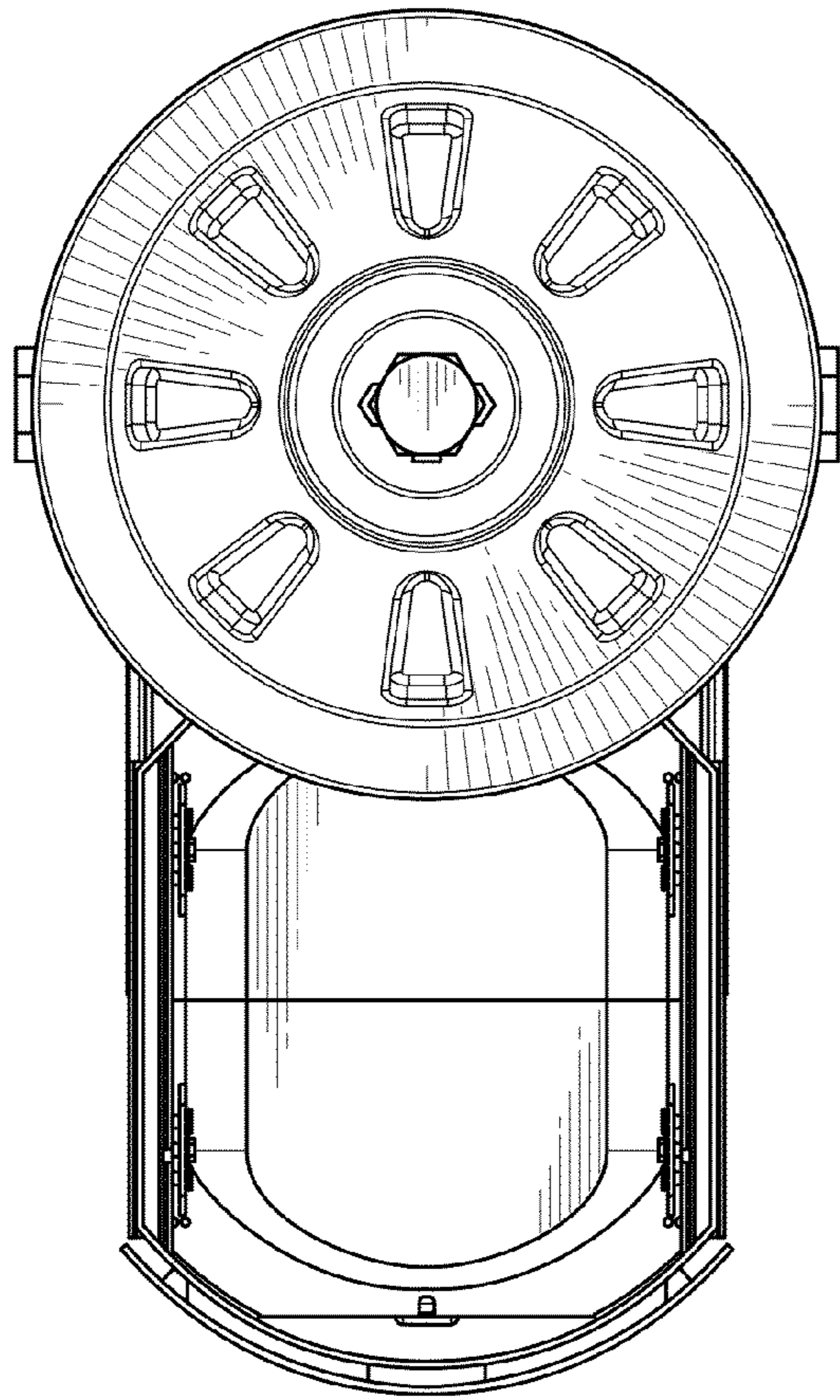


FIG. 9

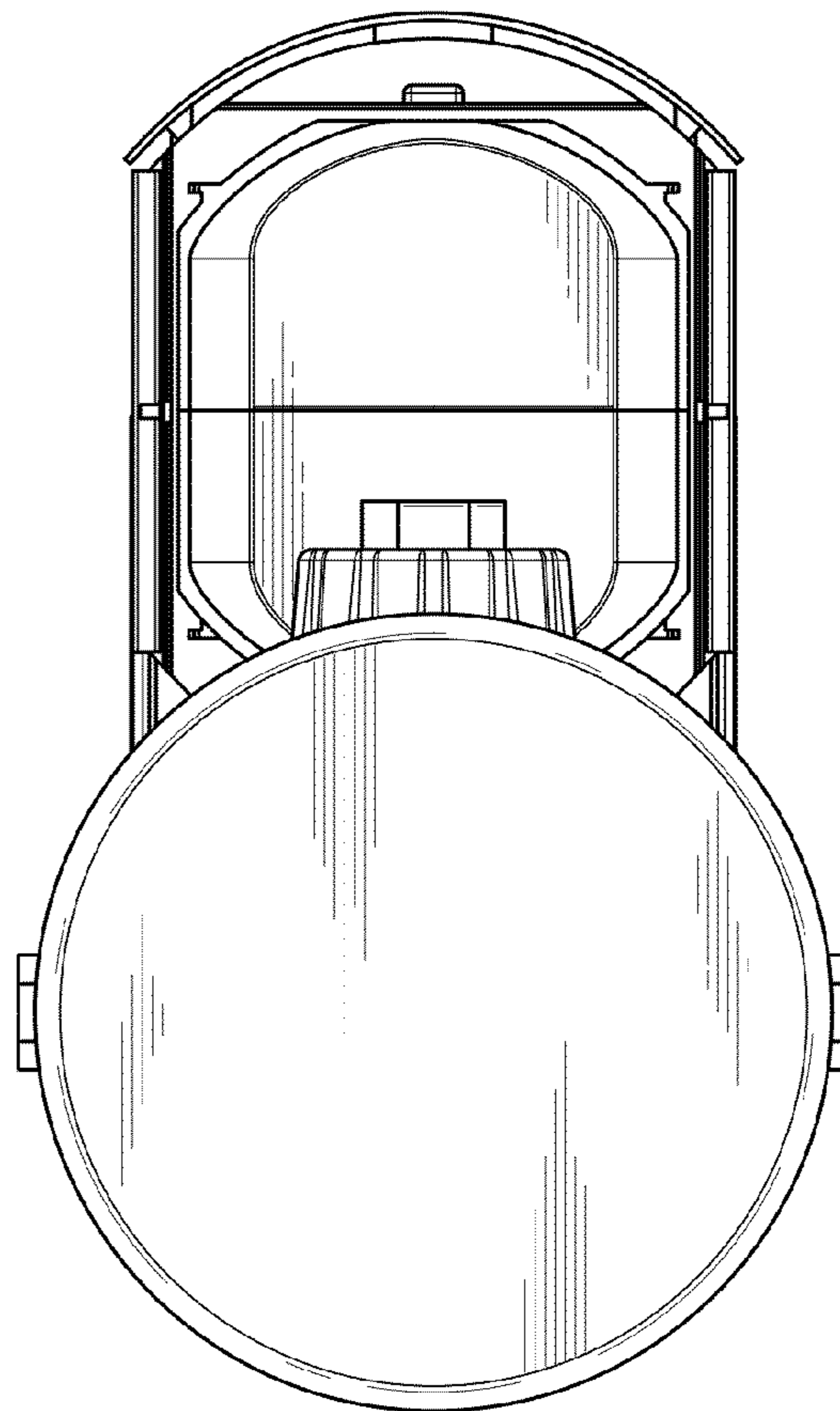


FIG. 10

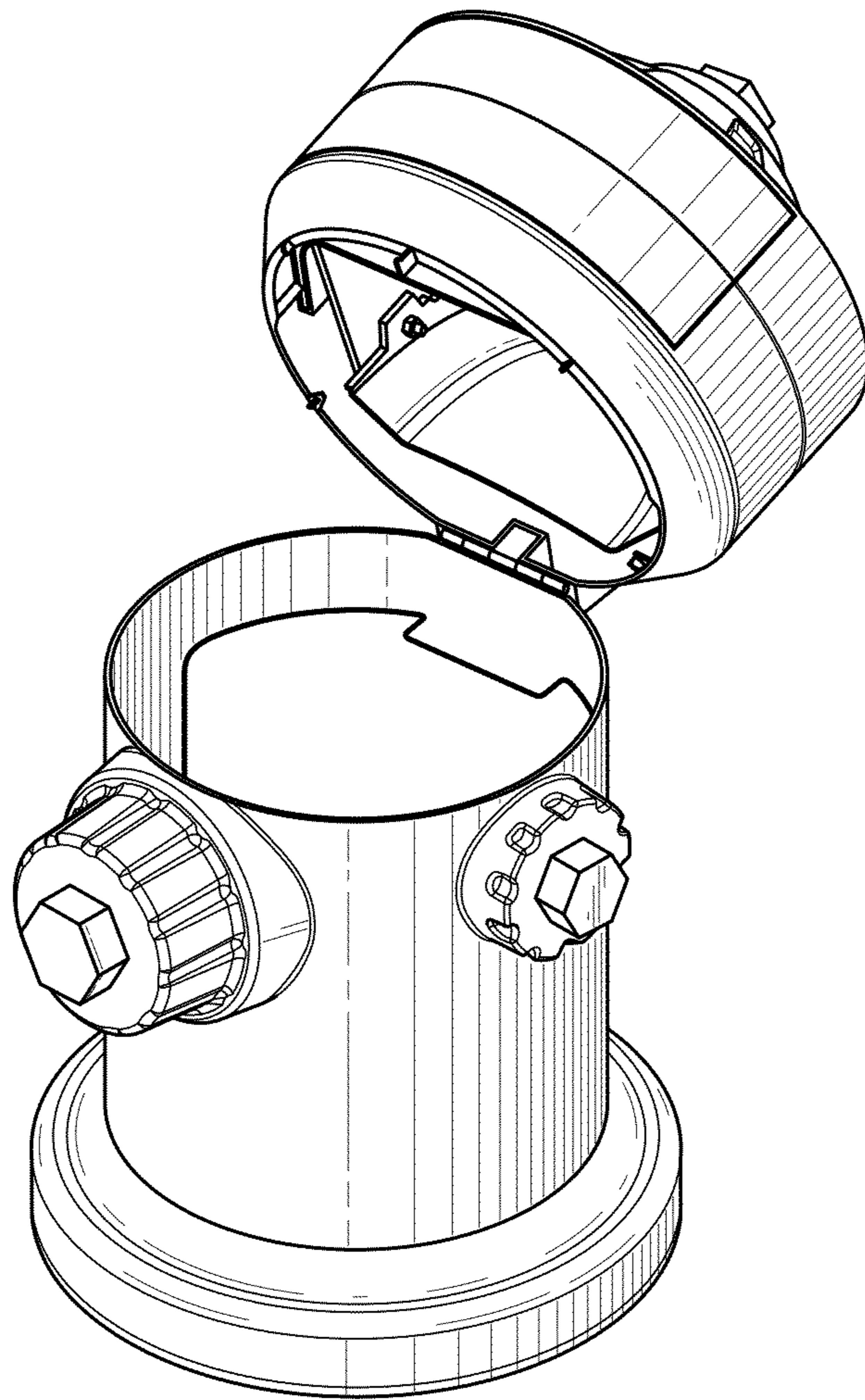


FIG. 11

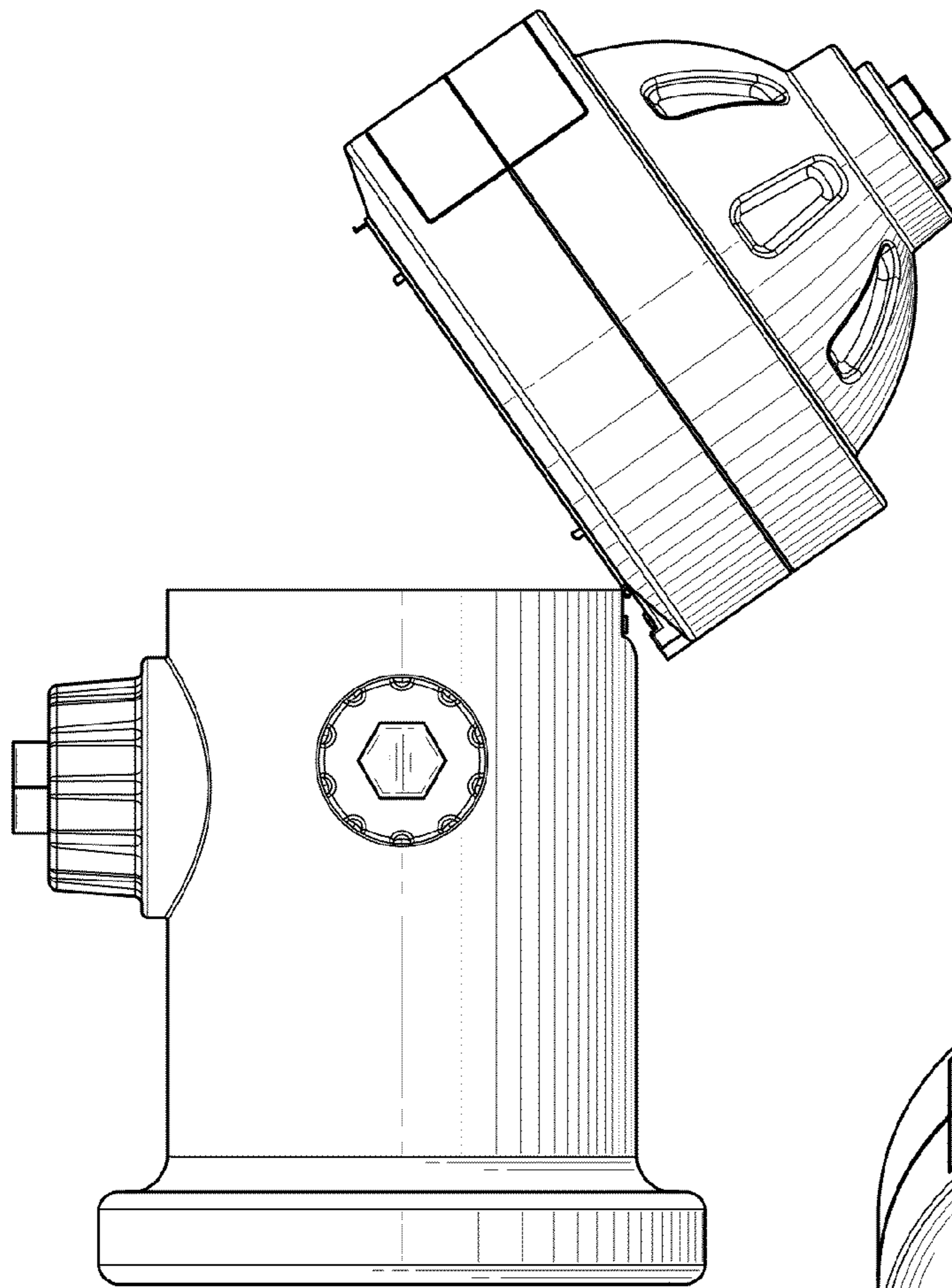


FIG. 12

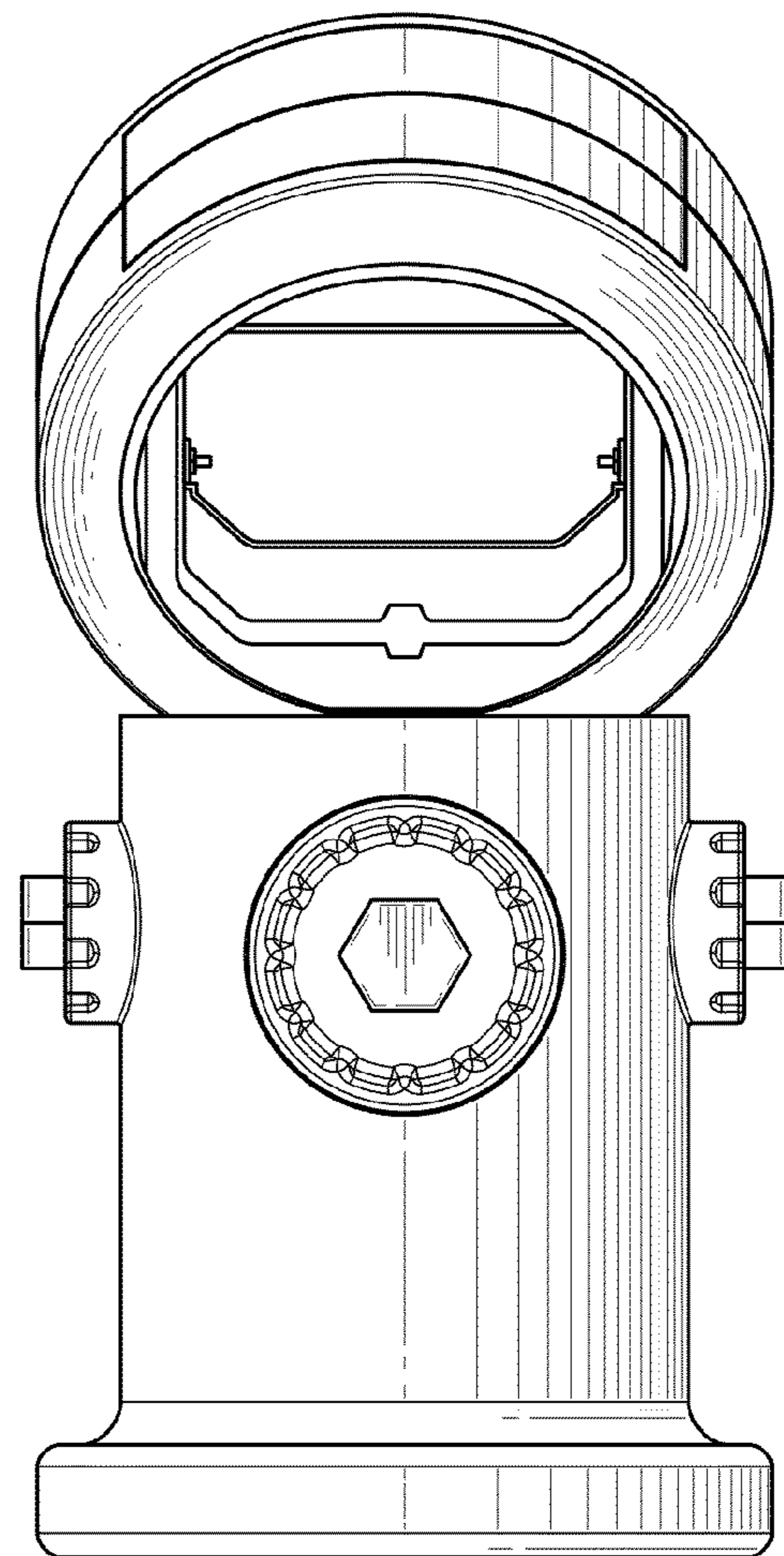


FIG. 13