



US00D734584S

(12) **United States Design Patent**
Cole

(10) **Patent No.:** **US D734,584 S**
(45) **Date of Patent:** **** Jul. 14, 2015**

- (54) **MOBILE INCINERATOR**
- (71) Applicant: **Kevin Brian Cole**, Grand Lake, CO (US)
- (72) Inventor: **Kevin Brian Cole**, Grand Lake, CO (US)
- (**) Term: **14 Years**
- (21) Appl. No.: **29/481,328**
- (22) Filed: **Feb. 4, 2014**

- 3,563,189 A 2/1971 Osburn
- 3,682,115 A 8/1972 Rodgers
- 3,785,302 A 1/1974 Davis
- 3,785,303 A 1/1974 Hopkins
- 3,915,104 A 10/1975 Hapgood et al.
- 3,938,450 A 2/1976 Jaronko et al.
- 3,939,783 A 2/1976 du Chambon
- 4,144,824 A 3/1979 Bartling, Sr.
- 4,218,980 A 8/1980 Probsteder
- 4,250,818 A 2/1981 Sigg
- 4,688,494 A 8/1987 Domnitch
- 4,850,423 A 7/1989 Allen et al.
- 4,852,815 A 8/1989 Giannotti
- 4,976,210 A 12/1990 Dewald

(Continued)

Related U.S. Application Data

- (63) Continuation of application No. 13/267,415, filed on Oct. 6, 2011, now abandoned, which is a continuation-in-part of application No. 12/800,497, filed on May 17, 2010, now abandoned, and a continuation-in-part of application No. 29/401,271, filed on Sep. 9, 2011, now Pat. No. Des. 661,856.
- (51) **LOC (10) Cl.** **09-09**
- (52) **U.S. Cl.**
USPC **D34/1.1**
- (58) **Field of Classification Search**
USPC D34/1, 1.1; 110/194, 240, 241, 242, 110/235, 244, 177, 245, 243; 414/420, 422, 414/424, 411
CPC F23G 1/00; F23G 5/12; F23G 5/165; F23G 5/32; B01J 6/001
See application file for complete search history.

References Cited

U.S. PATENT DOCUMENTS

- 558,976 A 4/1896 McClellan
- 558,977 A 4/1896 McClellan
- 1,461,108 A 7/1923 Born
- 2,545,625 A 3/1951 McKinley
- 2,882,842 A 4/1959 Alexander
- 2,923,229 A 2/1960 Halford
- 3,215,100 A 11/1965 Maurice

OTHER PUBLICATIONS

Armstrong, "Burnin' slash and kickin' ash," Sky-Hi News, available at <http://www.skyhidailynews.com/article/20100614/NEWS/100619985>, Jun. 14, 2010, 2 pages.

(Continued)

Primary Examiner — Cynthia Ramirez

(74) *Attorney, Agent, or Firm* — Sheridan Ross P.C.

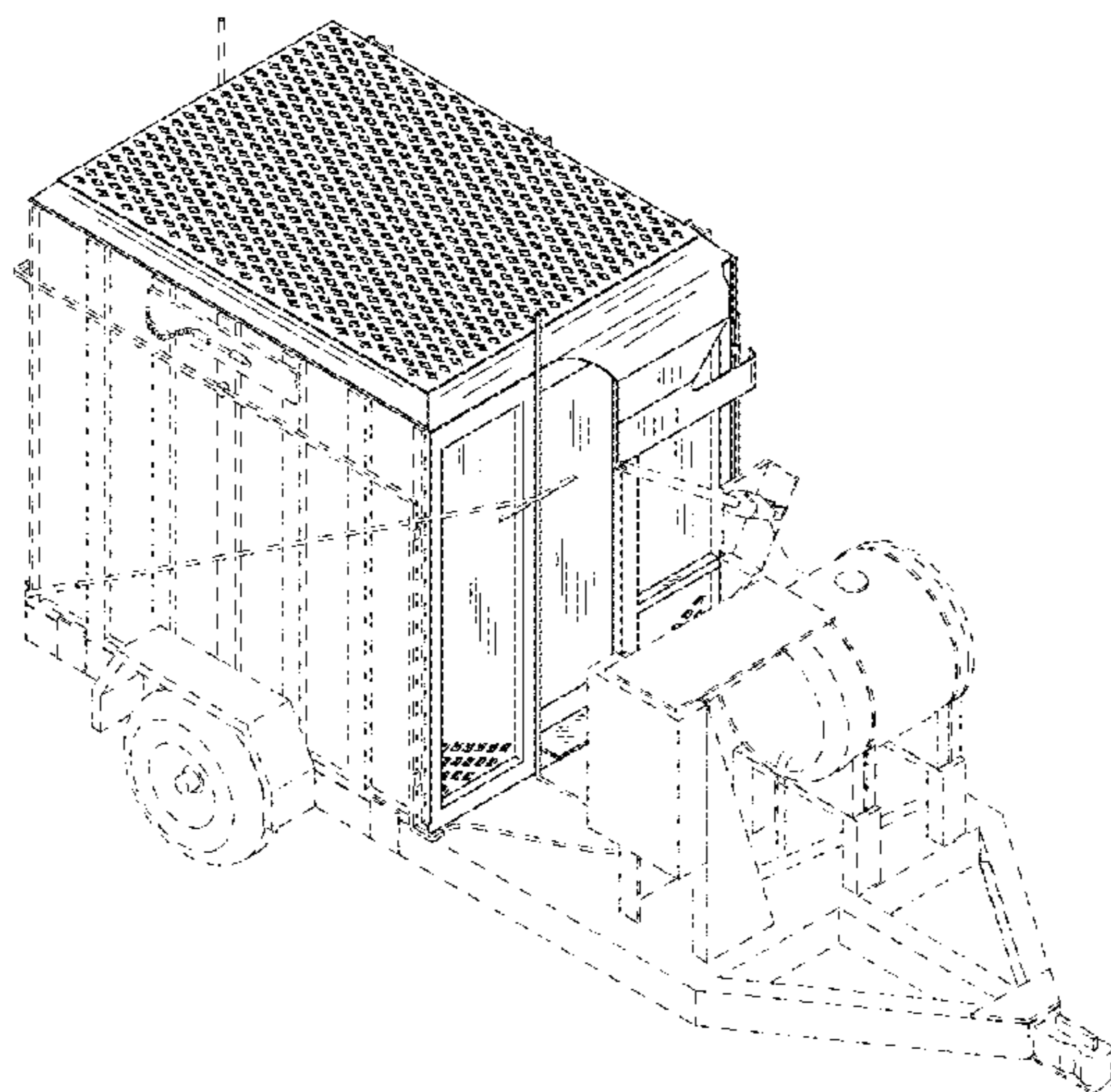
(57) **CLAIM**

The ornamental design for a mobile incinerator, as shown and described.

DESCRIPTION

FIG. 1 is a perspective view of the mobile incinerator of my new design;
FIG. 2 is a front elevation view thereof;
FIG. 3 is a rear elevation view thereof;
FIG. 4 is a right elevation view thereof;
FIG. 5 is a left elevation view thereof;
FIG. 6 is a top plan view thereof; and,
FIG. 7 is a bottom plan view thereof.
The broken lines shown comprise environment and form no part of the claimed design.

1 Claim, 7 Drawing Sheets



(56)

References Cited

U.S. PATENT DOCUMENTS

5,040,972 A 8/1991 Kleinhenz et al.
5,050,509 A 9/1991 Mormino
5,062,372 A 11/1991 Ritter
D325,803 S 4/1992 Sugiue
D333,894 S 3/1993 Johnson
5,191,846 A 3/1993 Clay
D343,487 S 1/1994 McIntyre
5,743,196 A 4/1998 Beryozkin et al.
5,893,358 A 4/1999 Whitfield
6,173,662 B1 1/2001 Donovan
6,352,040 B1 3/2002 Voorhees et al.
6,874,331 B2 4/2005 Chandler et al.
7,503,268 B2 3/2009 O'Connor
D661,856 S 6/2012 Cole
2003/0101916 A1 6/2003 Brown et al.

2006/0225781 A1 10/2006 Locher
2006/0270280 A1 11/2006 Sodemann et al.
2007/0137537 A1 6/2007 Drisdelle et al.
2008/0110380 A1 5/2008 Gauthier et al.
2010/0242812 A1 9/2010 Romeo
2012/0060825 A1 3/2012 Hensley et al.

OTHER PUBLICATIONS

Official Action for U.S. Appl. No. 13/267,415 mailed Dec. 21, 2012, 10 pages.
Official Action for U.S. Appl. No. 13/267,415 mailed Apr. 23, 2013, 9 pages.
Official Action for U.S. Appl. No. 13/267,415 mailed Oct. 4, 2013, 12 pages.
Notice of Allowance for U.S. Appl. No. 29/401,271, mailed Feb. 28, 2012, 6 pages.
Official Action for U.S. Appl. No. 12/800,497 mailed May 22, 2012, 13 pages.

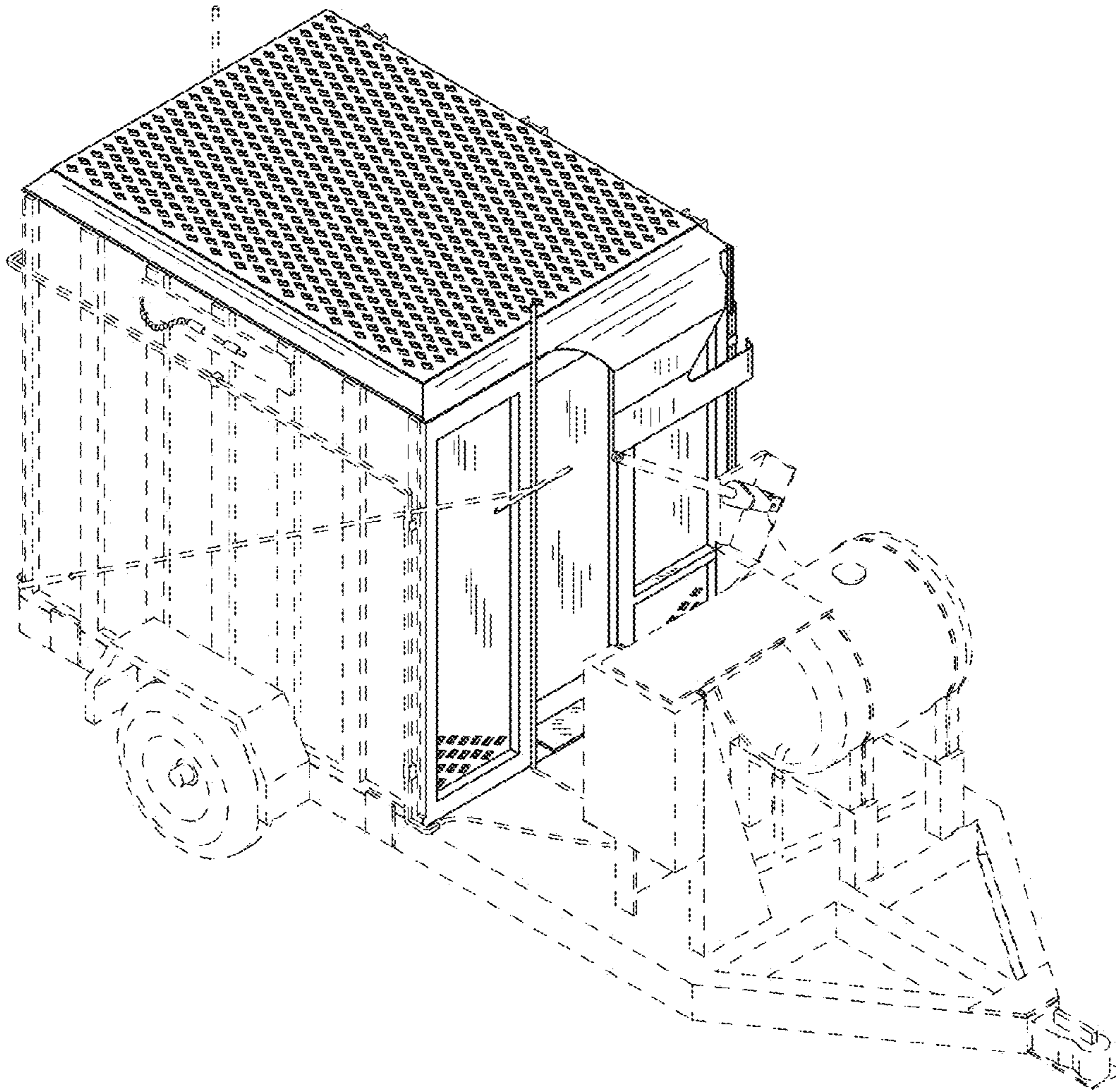


FIG. 1

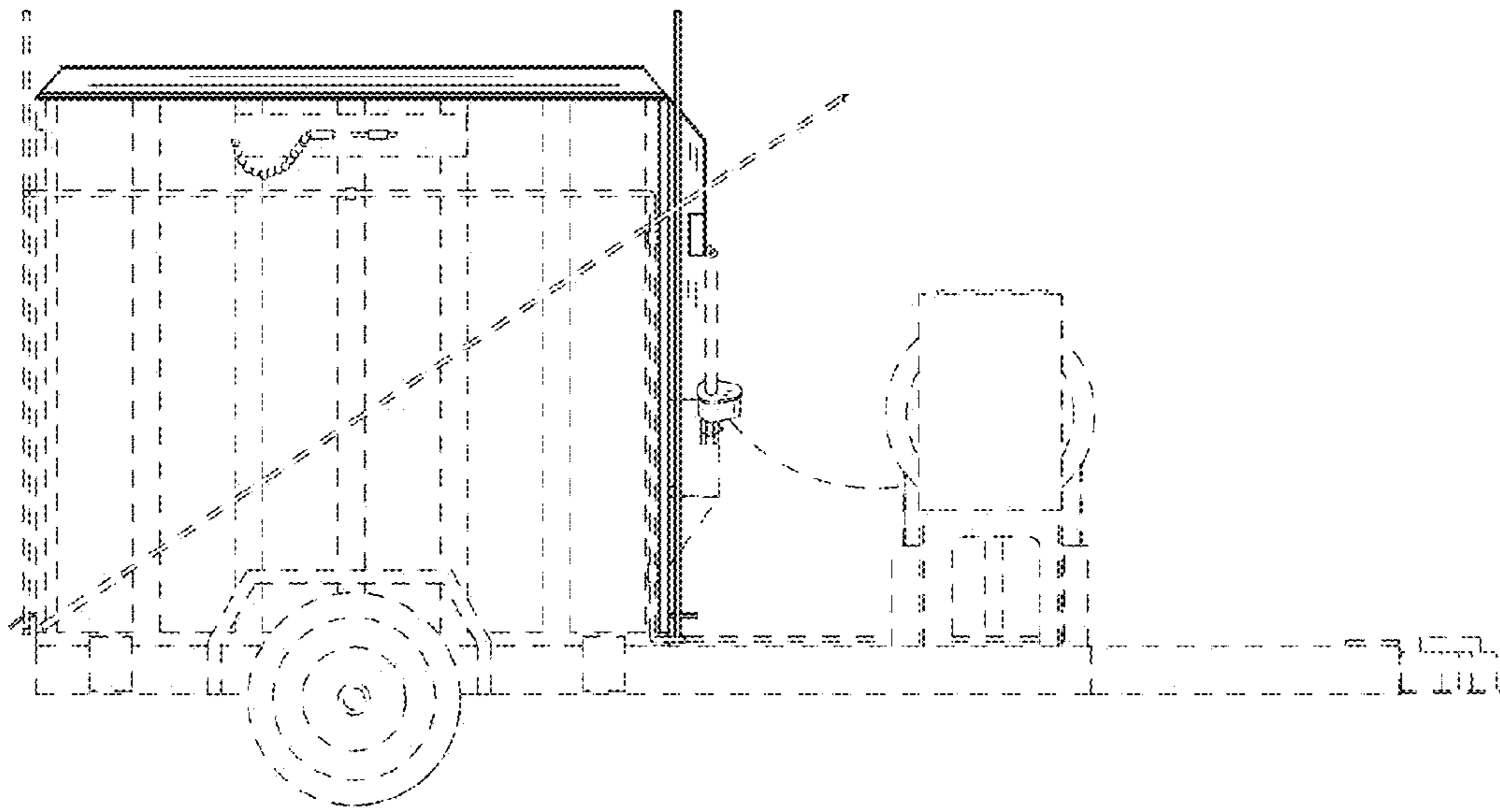


FIG.2

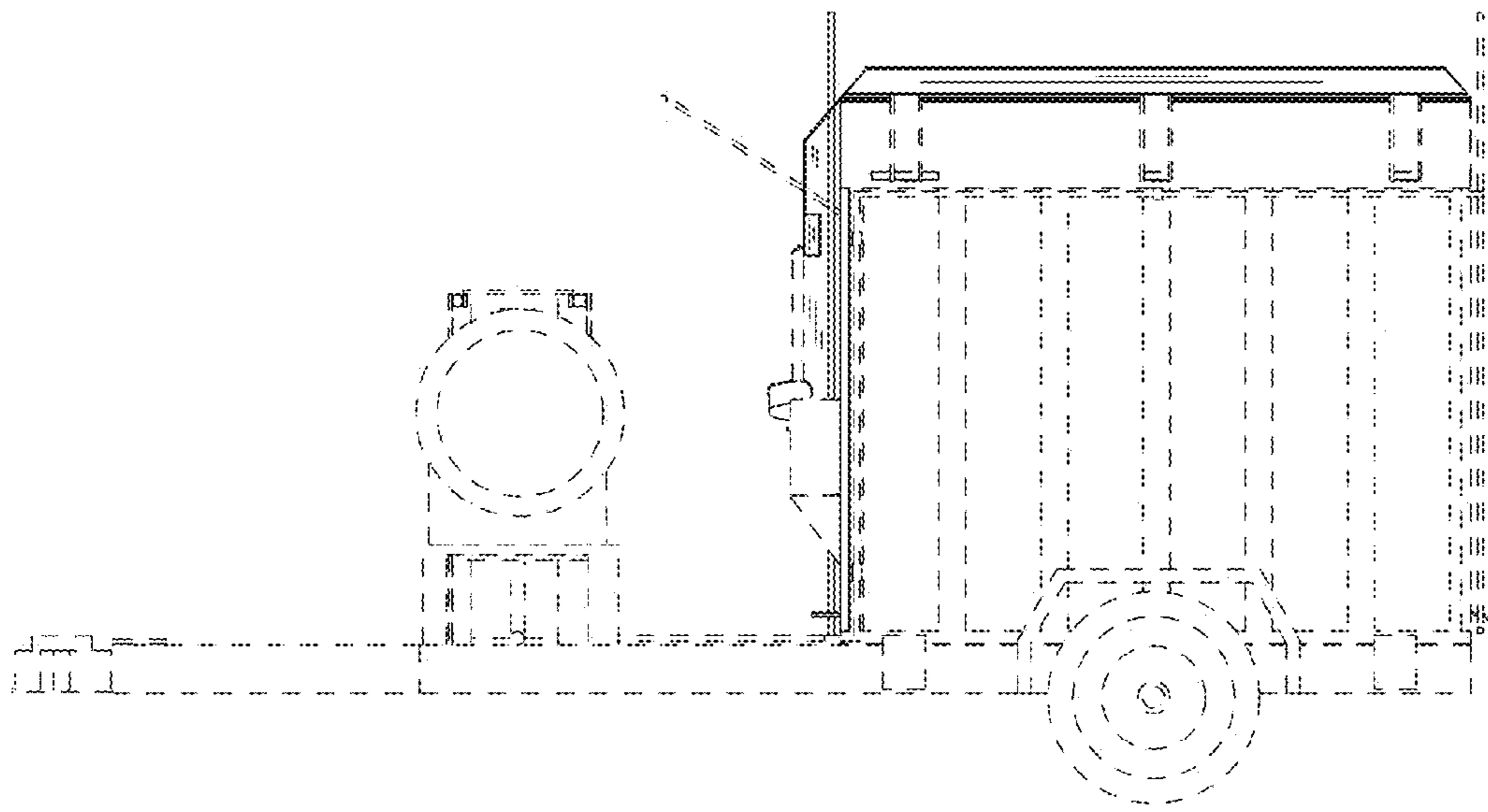


FIG.3

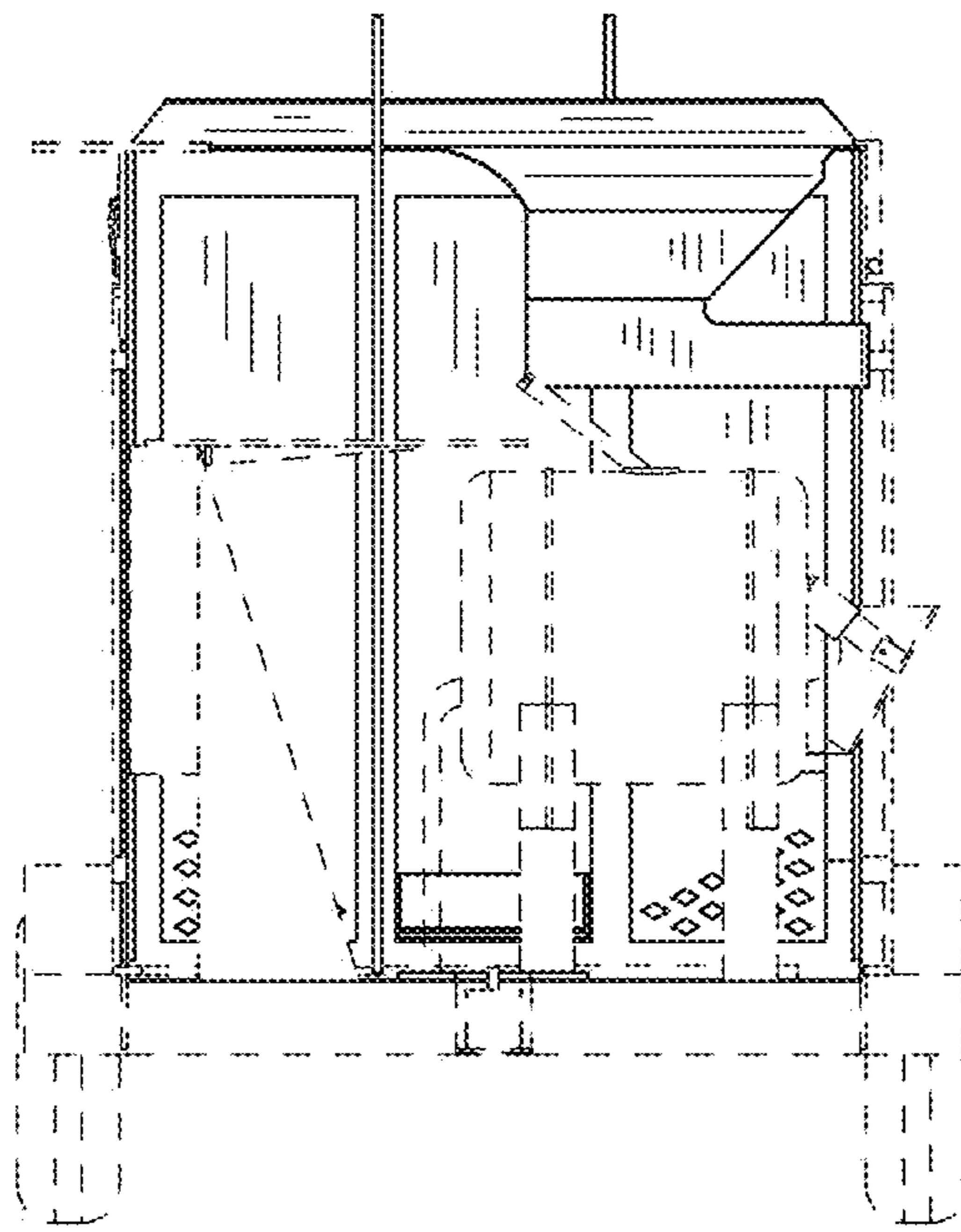


FIG.4

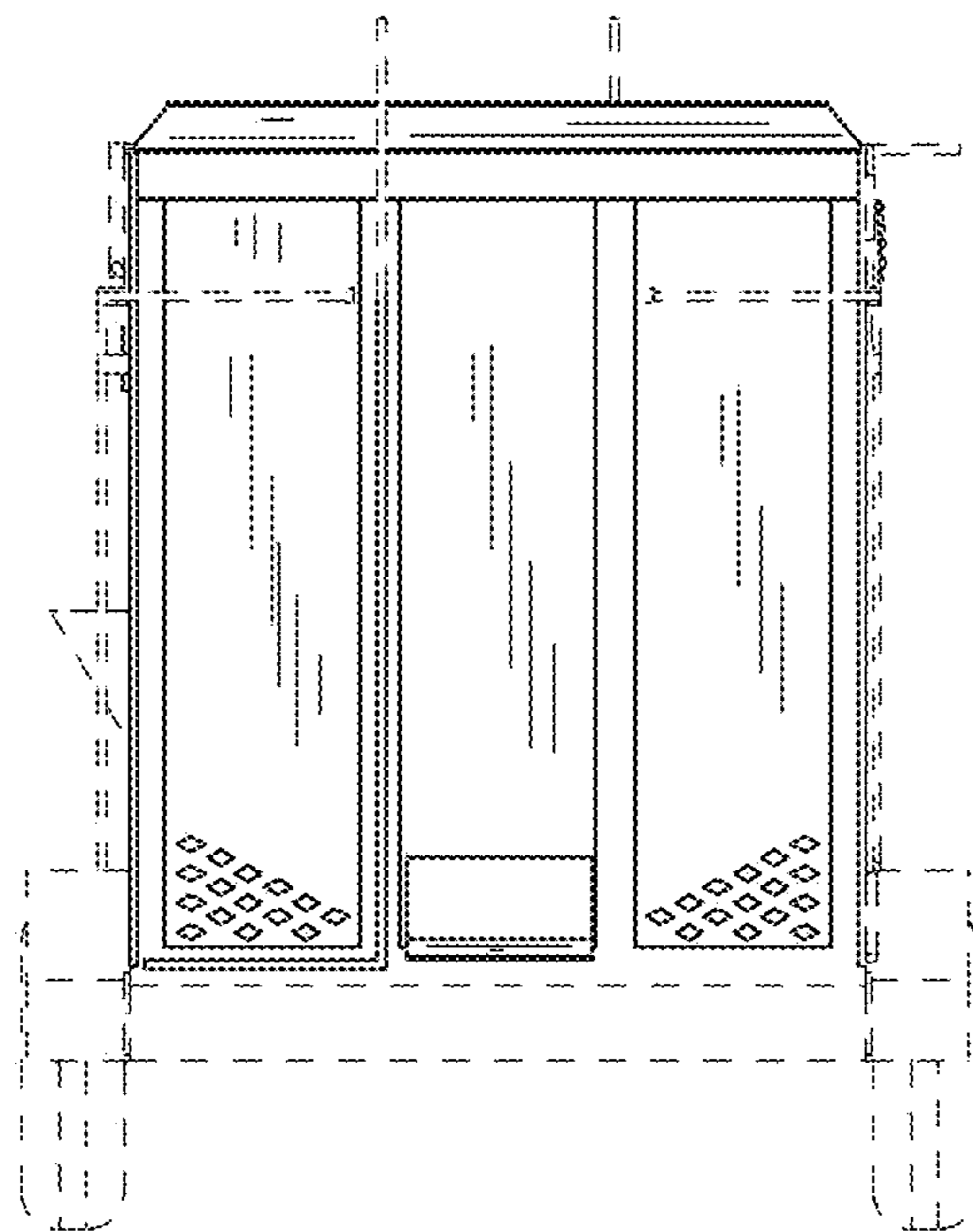


FIG.5

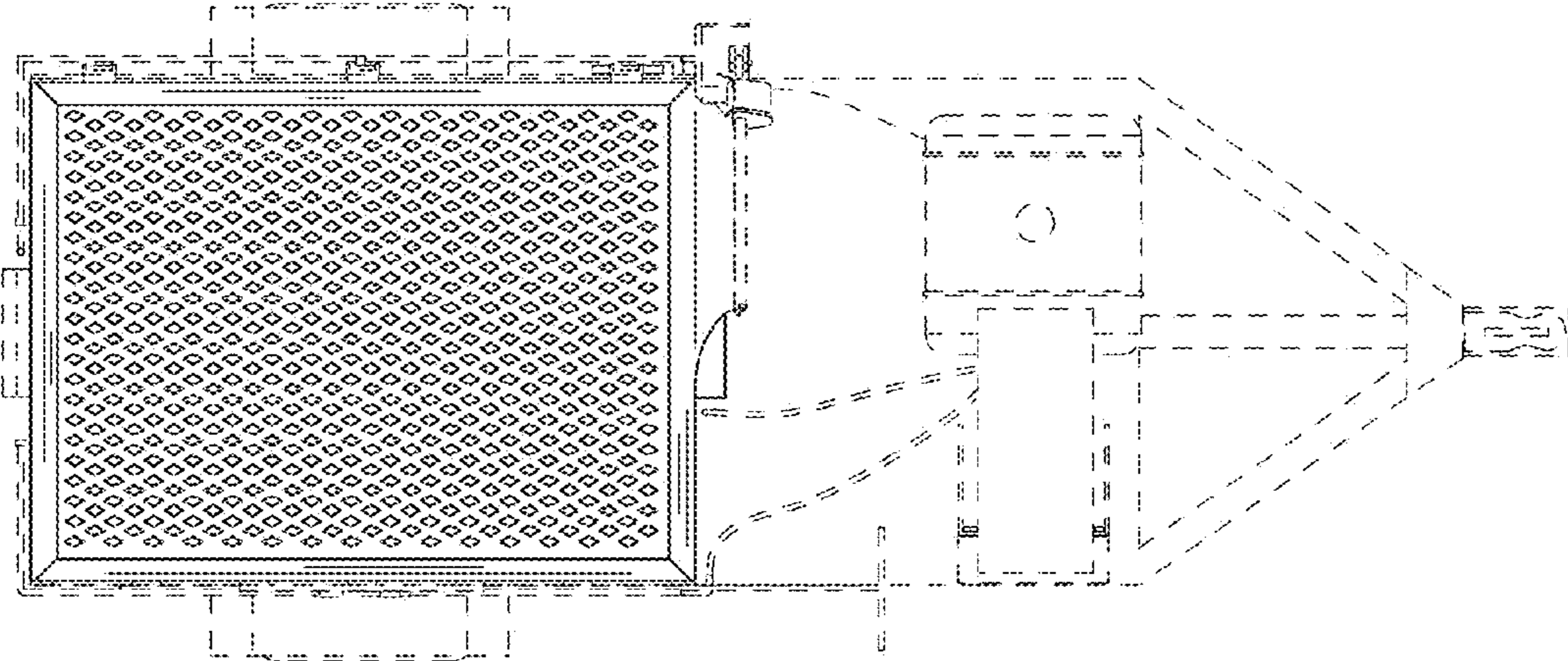


FIG.6

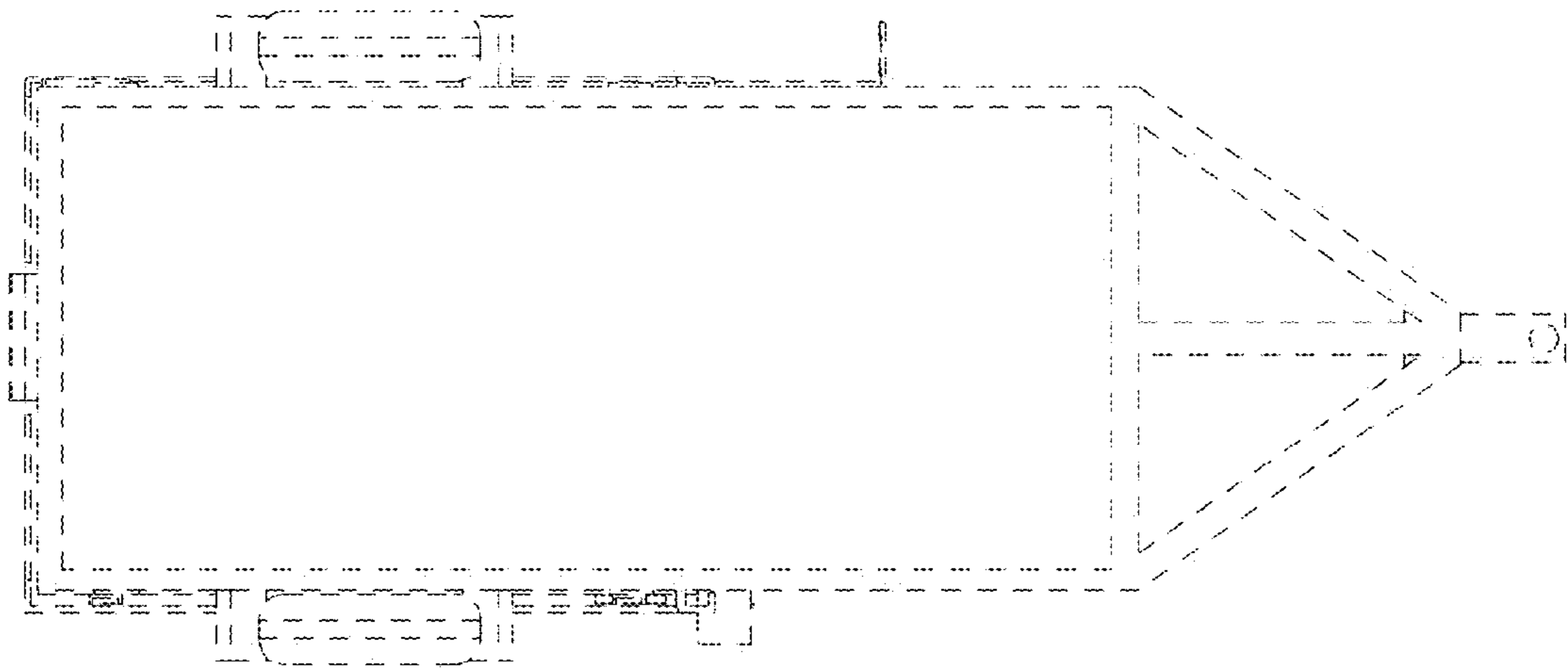


FIG.7