

US00D734580S

(12) **United States Design Patent**  
**Wright**

(10) **Patent No.:** **US D734,580 S**  
(45) **Date of Patent:** **\*\* Jul. 14, 2015**

(54) **INVERTED SOAP BOTTLE HOLDER**

(71) Applicant: **Hieshia McPherson Wright**, Sumter,  
SC (US)

(72) Inventor: **Hieshia McPherson Wright**, Sumter,  
SC (US)

(\*\*) Term: **14 Years**

(21) Appl. No.: **29/459,657**

(22) Filed: **Jul. 2, 2013**

(51) **LOC (10) Cl.** ..... **32-01**

(52) **U.S. Cl.**  
USPC ..... **D32/55**; D9/455

(58) **Field of Classification Search**  
USPC ..... D6/542; D9/455; D7/619.1; D32/55;  
248/146, 311.3; 211/74

See application file for complete search history.

(56) **References Cited**

U.S. PATENT DOCUMENTS

D181,080 S *	9/1957	Tomarin	.....	D9/455
D207,808 S *	5/1967	Coulthurst	.....	D9/455
D210,517 S *	3/1968	Baratte	.....	D9/455
3,813,072 A	5/1974	Moore		
4,969,580 A	11/1990	Mikhail		

5,065,966 A *	11/1991	Hartke	.....	248/311.3
D386,084 S *	11/1997	Marseglia	.....	D9/455
7,178,693 B1	2/2007	Cutrone		
D543,109 S *	5/2007	Carlson et al.	.....	D9/455
D627,121 S *	11/2010	Merritt	.....	D32/55

\* cited by examiner

*Primary Examiner* — Brian N Vinson

(74) *Attorney, Agent, or Firm* — Crossley Patent Law

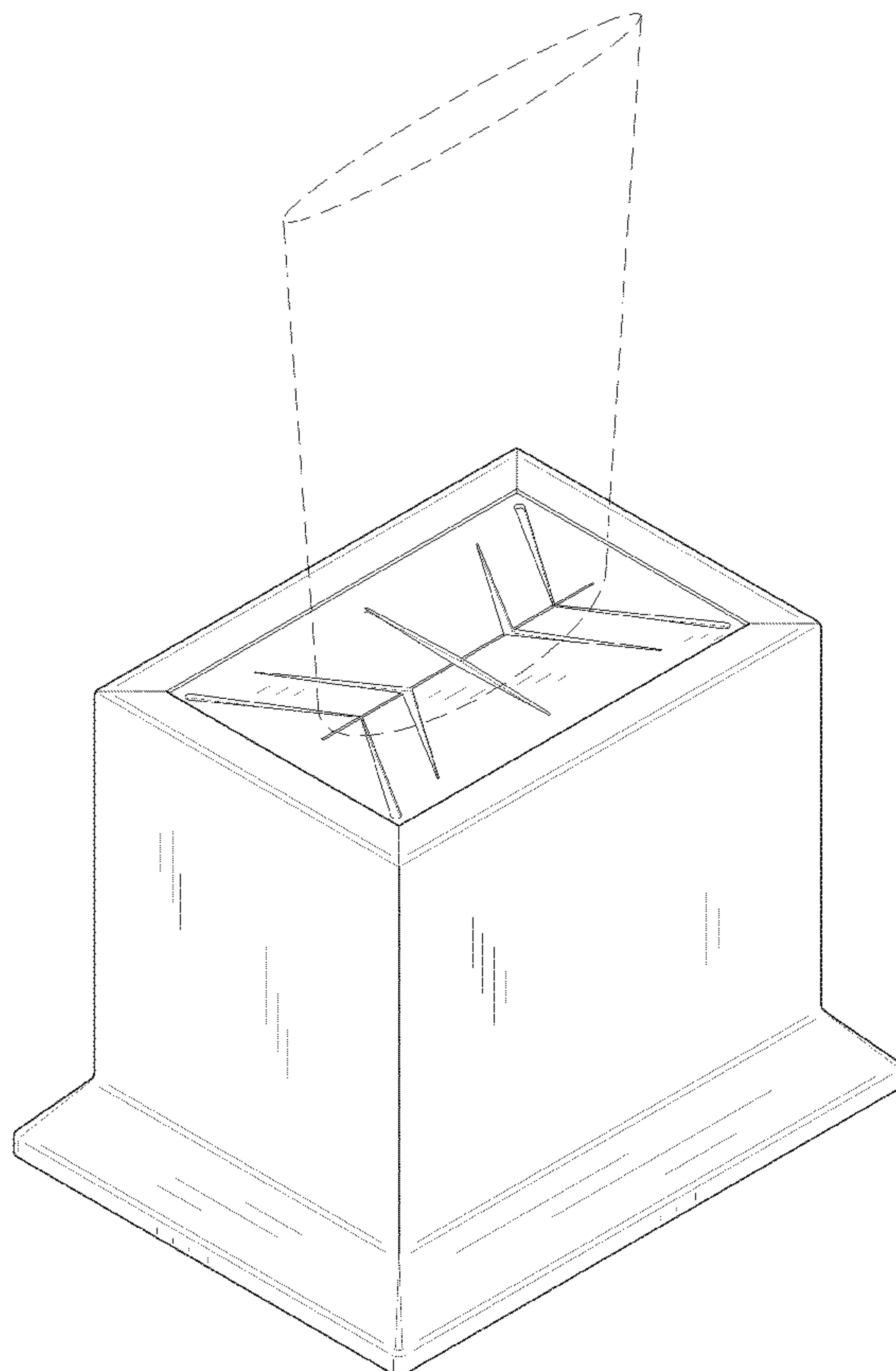
(57) **CLAIM**

The ornamental design for an inverted soap bottle holder, as shown and described.

**DESCRIPTION**

FIG. 1 is a front elevation view of an inverted soap bottle holder showing my new design, the opposite side being a mirror image of the shown;  
 FIG. 2 is a right side elevation view thereof, the opposite side being a mirror image of the shown;  
 FIG. 3 is a top plan view thereof showing a single opening;  
 FIG. 4 is a bottom plan view thereof; and,  
 FIG. 5 is an isometric view thereof showing a single opening.  
 The broken lines in FIG. 5 of the drawings depict a soap bottle as environmental subject matter only and form no part of the claimed design.

**1 Claim, 5 Drawing Sheets**



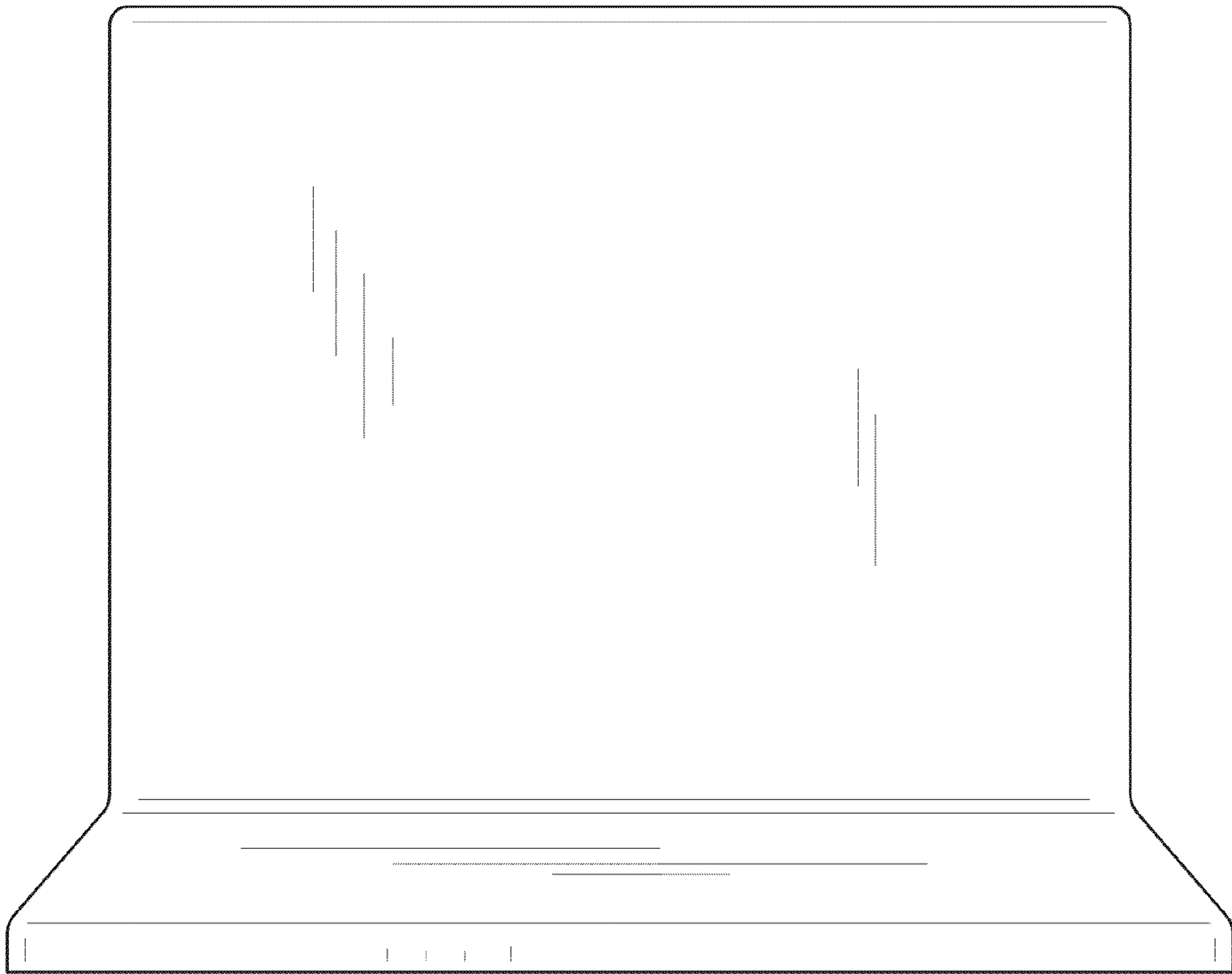


FIG. 1

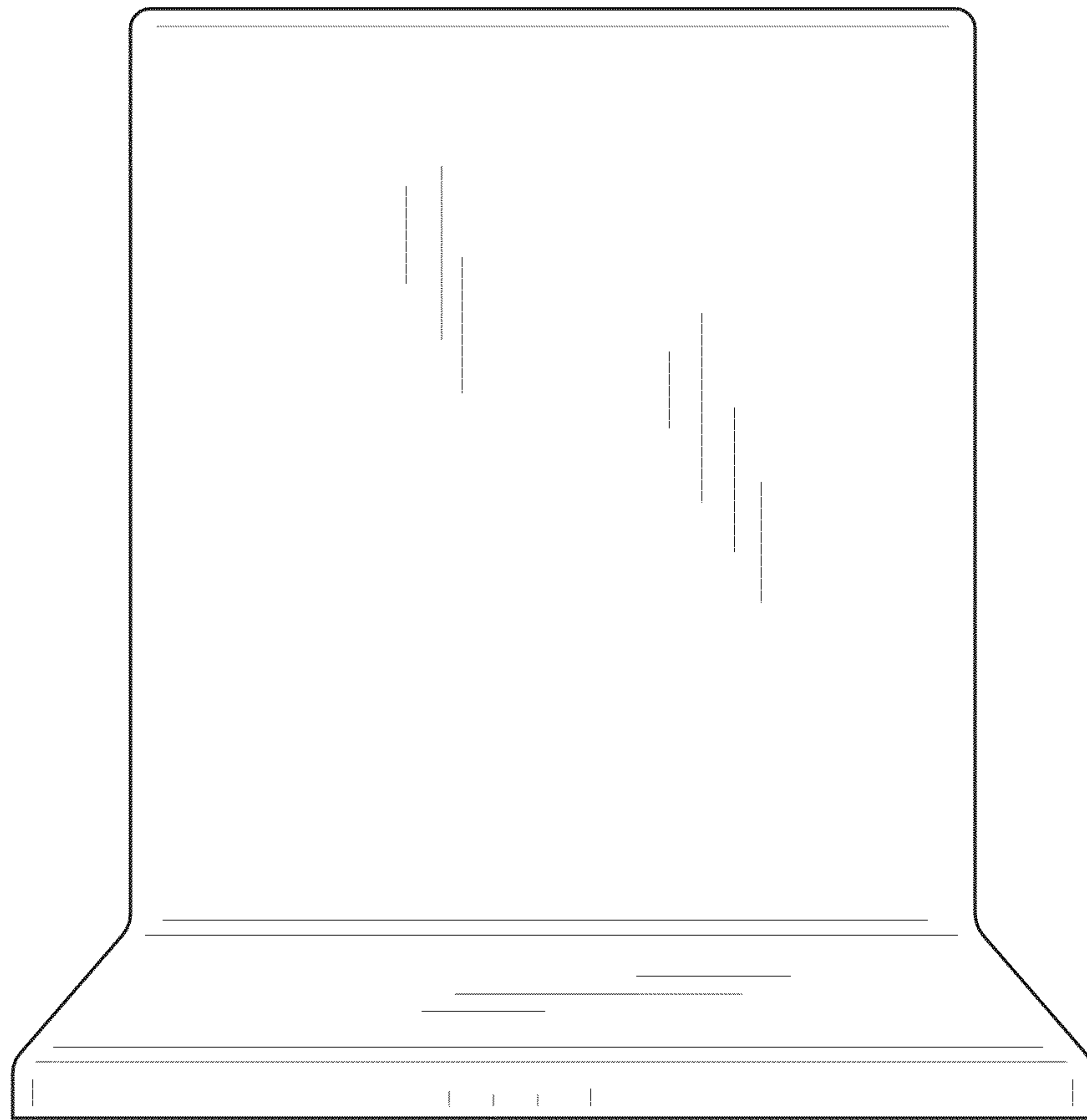


FIG. 2

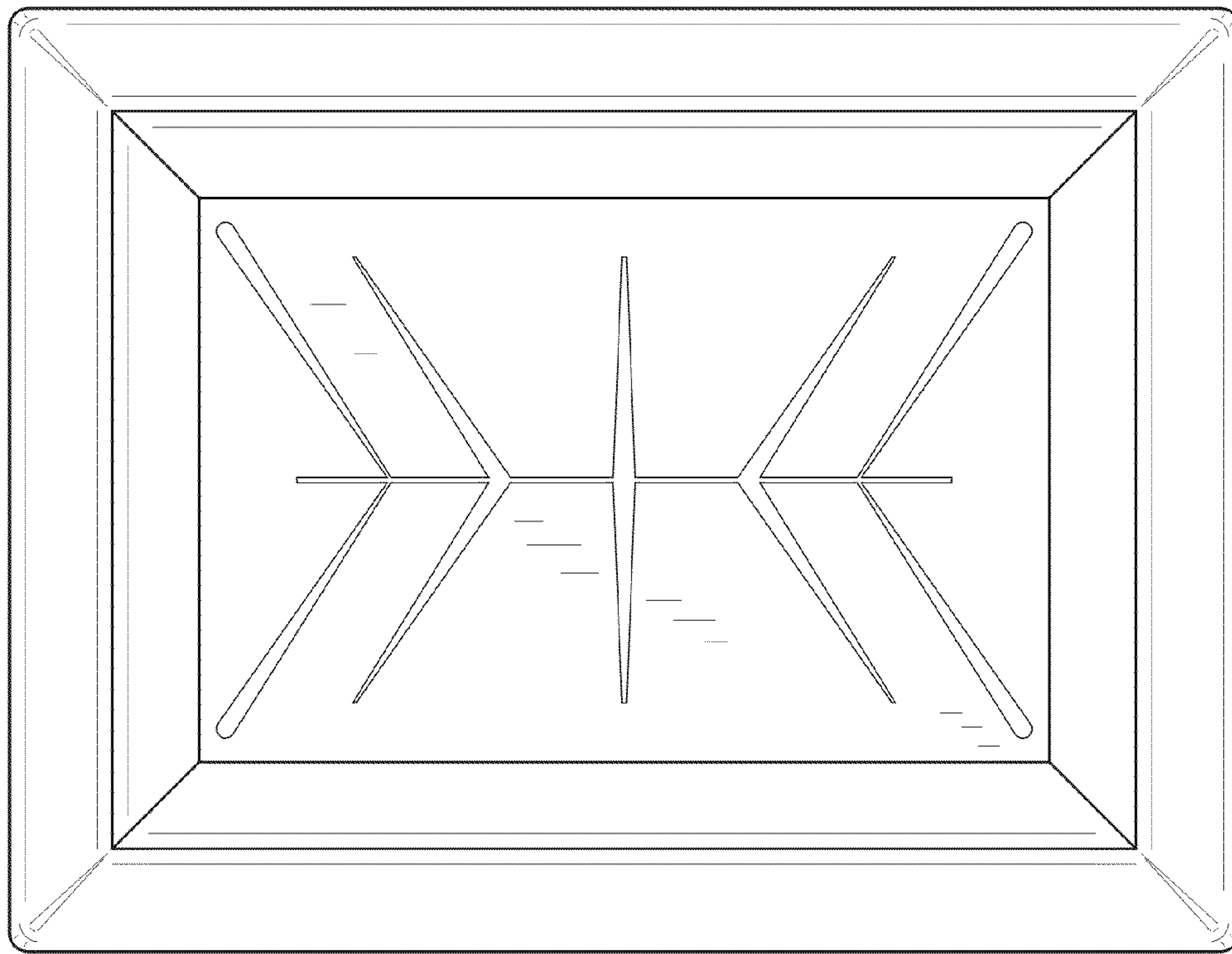


FIG. 3



FIG. 4

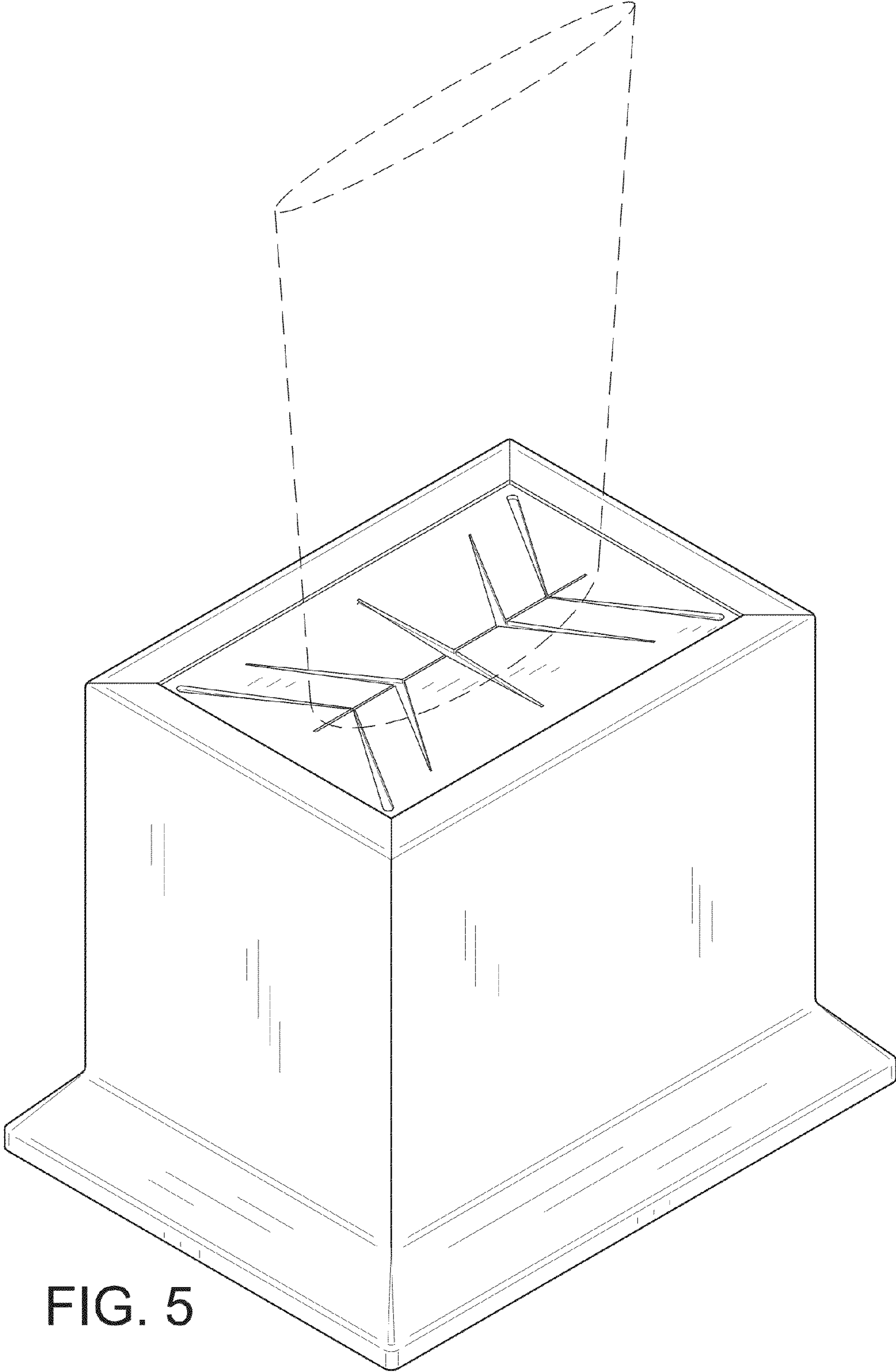


FIG. 5