



US00D734579S

(12) **United States Design Patent**
Brodeur et al.

(10) **Patent No.:** **US D734,579 S**
(45) **Date of Patent:** **** Jul. 14, 2015**

(54) **PAINT CAN HOLDER**

(71) Applicants: **Edward Paul Brodeur**, St. Catharines (CA); **Hilton Percy Whyte**, St. Catharines (CA)

(72) Inventors: **Edward Paul Brodeur**, St. Catharines (CA); **Hilton Percy Whyte**, St. Catharines (CA)

(**) Term: **14 Years**

(21) Appl. No.: **29/476,114**

(22) Filed: **Dec. 11, 2013**

(51) **LOC (10) Cl.** **07-07**

(52) **U.S. Cl.**
USPC **D32/54**

(58) **Field of Classification Search**
USPC D32/53.1, 54; 248/154, 210–211; 220/694, 699; D8/373
CPC A47F 7/00; A47F 7/02; A47F 7/04; A47F 7/06; A47F 7/08; A47F 7/12
See application file for complete search history.

(56) **References Cited**

U.S. PATENT DOCUMENTS

2,735,641	A *	2/1956	Joecks	248/210
3,104,859	A *	9/1963	Hoelzel	248/210
D353,242	S *	12/1994	McCoy et al.	D32/54
D364,949	S *	12/1995	Birch	D32/54
D368,158	S *	3/1996	Dancyger et al.	D3/215
D403,784	S *	1/1999	Raines	D25/68

D464,484	S *	10/2002	Landen	D3/229
D594,164	S *	6/2009	Lee et al.	D32/54
D646,961	S *	10/2011	Hampton et al.	D8/373
D666,897	S *	9/2012	Church	D8/373

* cited by examiner

Primary Examiner — Michael A Pratt

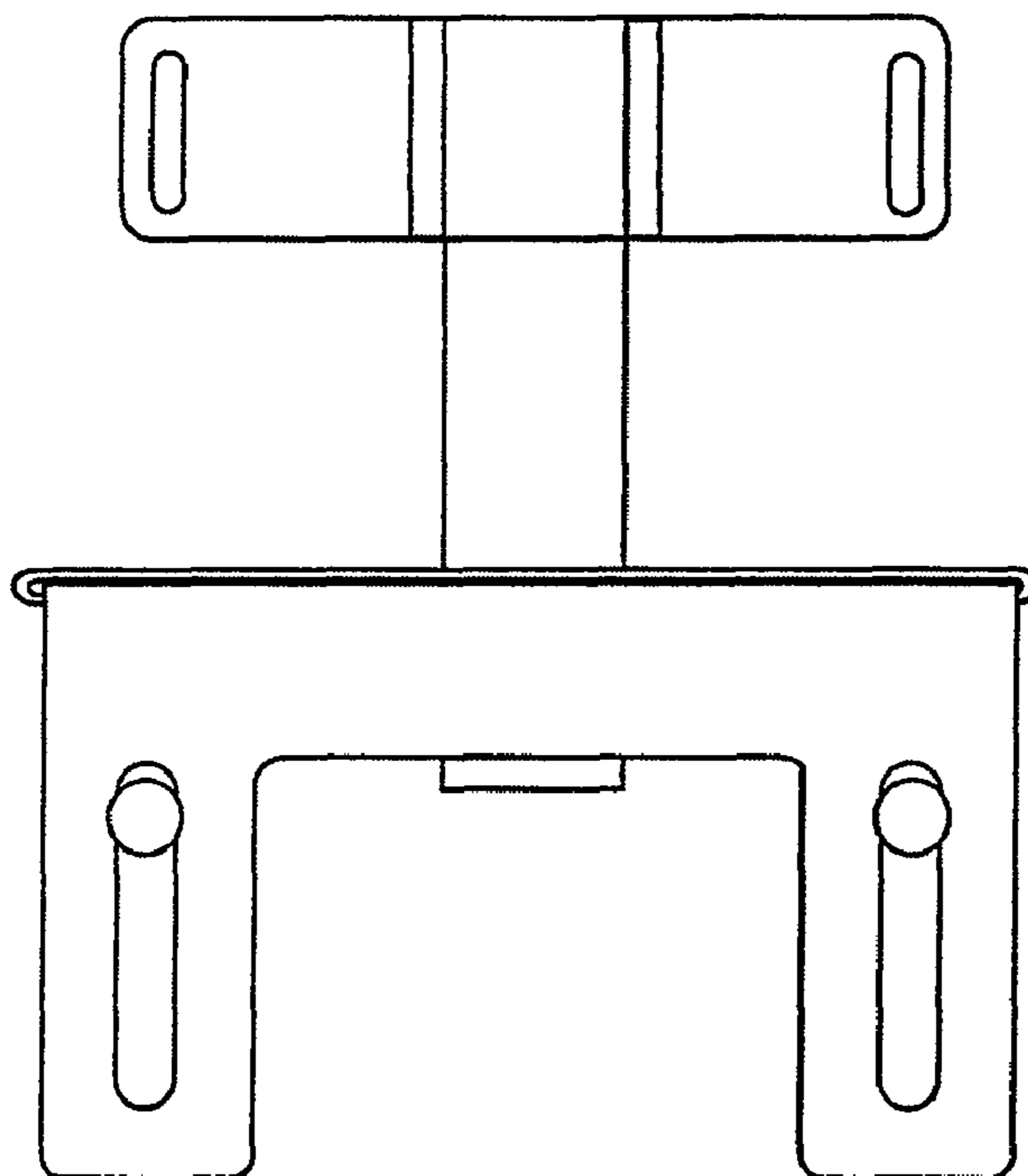
(57) **CLAIM**

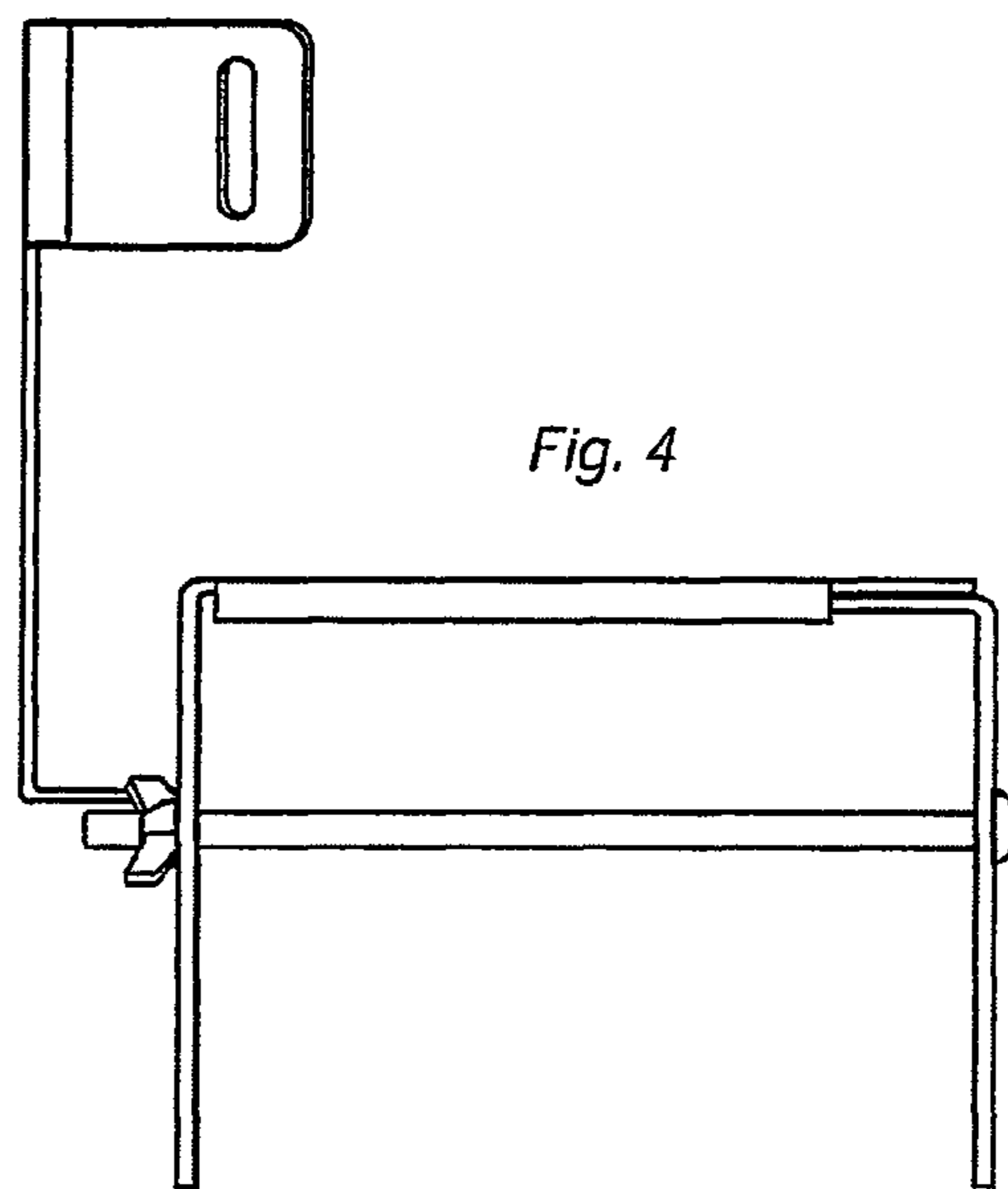
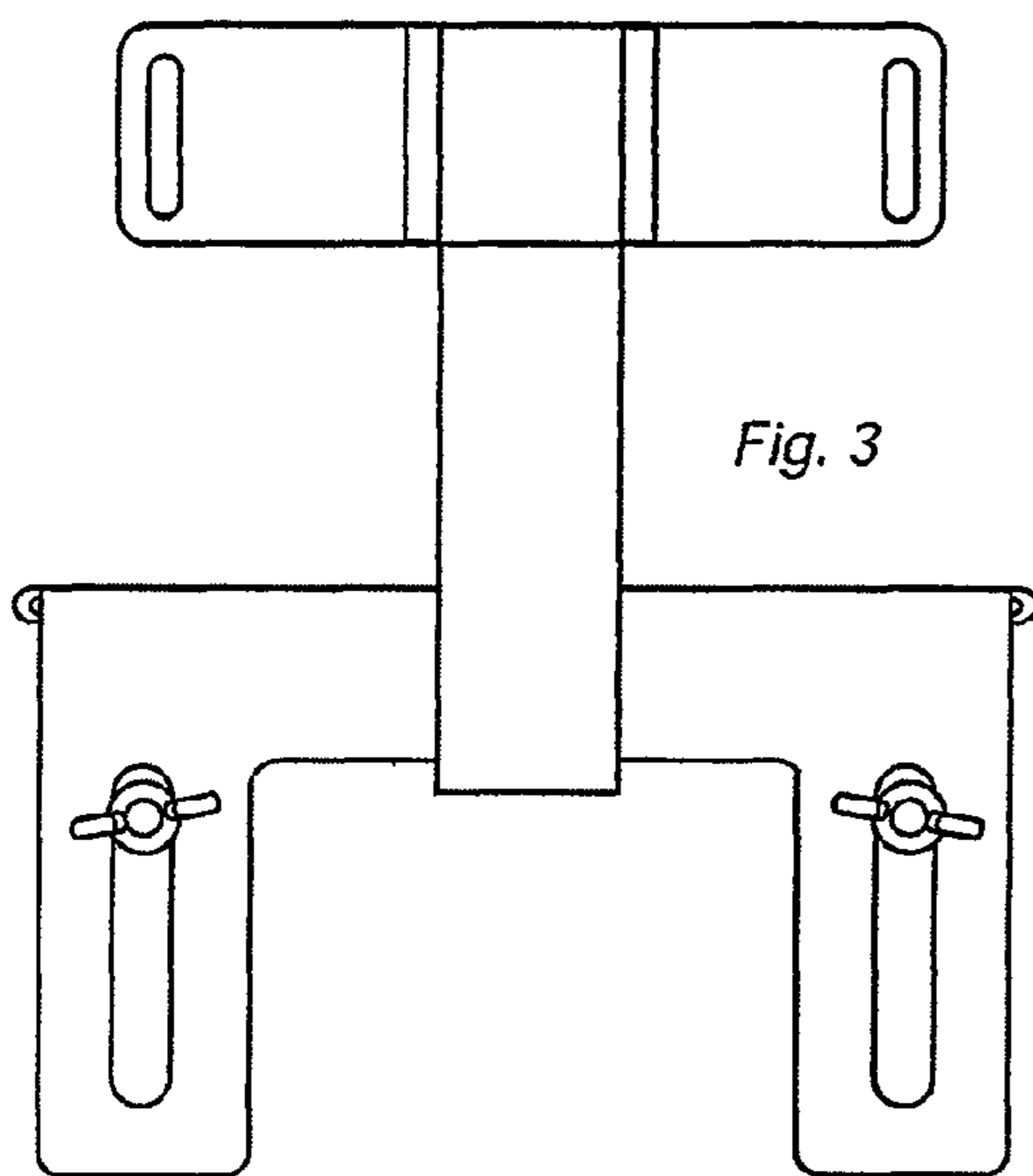
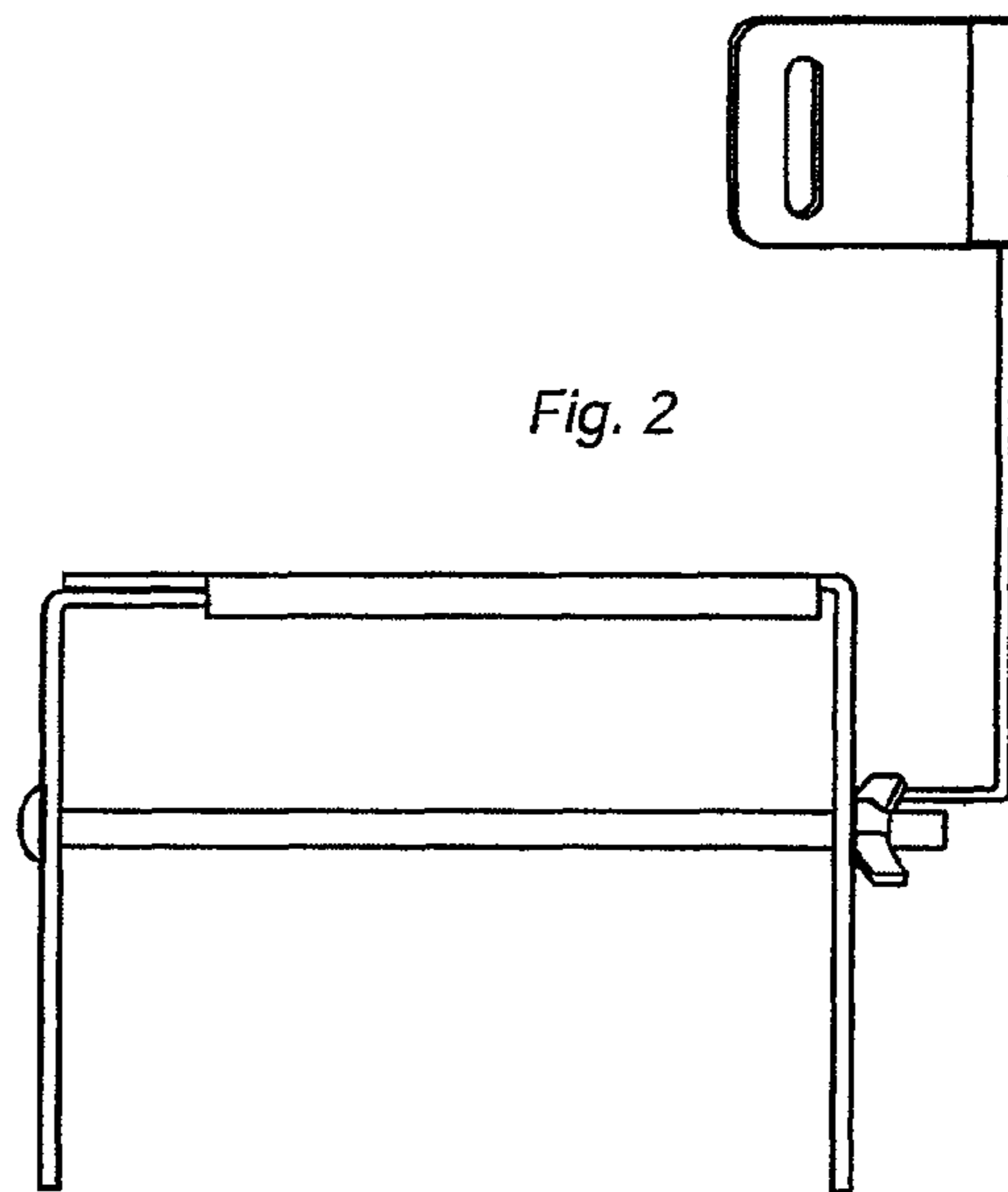
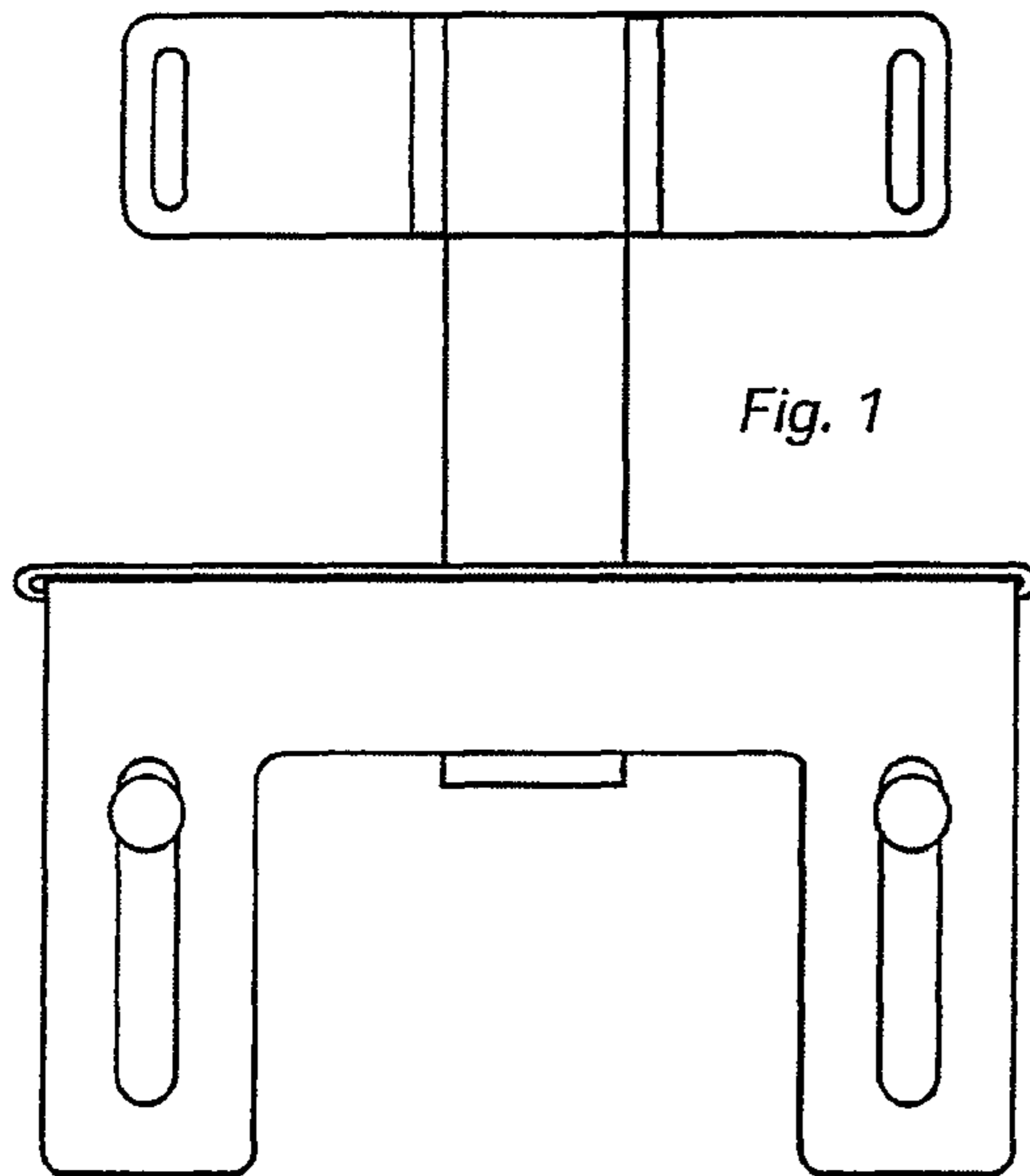
The ornamental design for a paint can holder, as shown and described.

DESCRIPTION

FIG. 1 is a front plan view of a paint can holder of the present design the horizontal encircling structure shown in FIGS. 5 through 7 has been omitted for ease of illustration;
 FIG. 2 is a right side end view of the paint can holder shown in FIG. 1, the horizontal encircling structure shown in FIGS. 5 through 7 has been omitted for ease of illustration;
 FIG. 3 is a back plan view of the paint can holder shown in FIG. 1, the horizontal encircling structure shown in FIGS. 5 through 7 has been omitted for ease of illustration;
 FIG. 4 is a left side end view of the paint can holder shown in FIG. 1, the horizontal encircling structure shown in FIGS. 5 through 7 has been omitted for ease of illustration;
 FIG. 5 is a front top perspective view of the paint can holder
 FIG. 6 is a back top perspective view of the paint can holder;
 and,
 FIG. 7 is a back top perspective view of the paint can holder shown in FIGS. 5 and 6 in use, wherein the broken lines are the environment of the paint can holder shown in use and form no part of the claimed design.

1 Claim, 3 Drawing Sheets





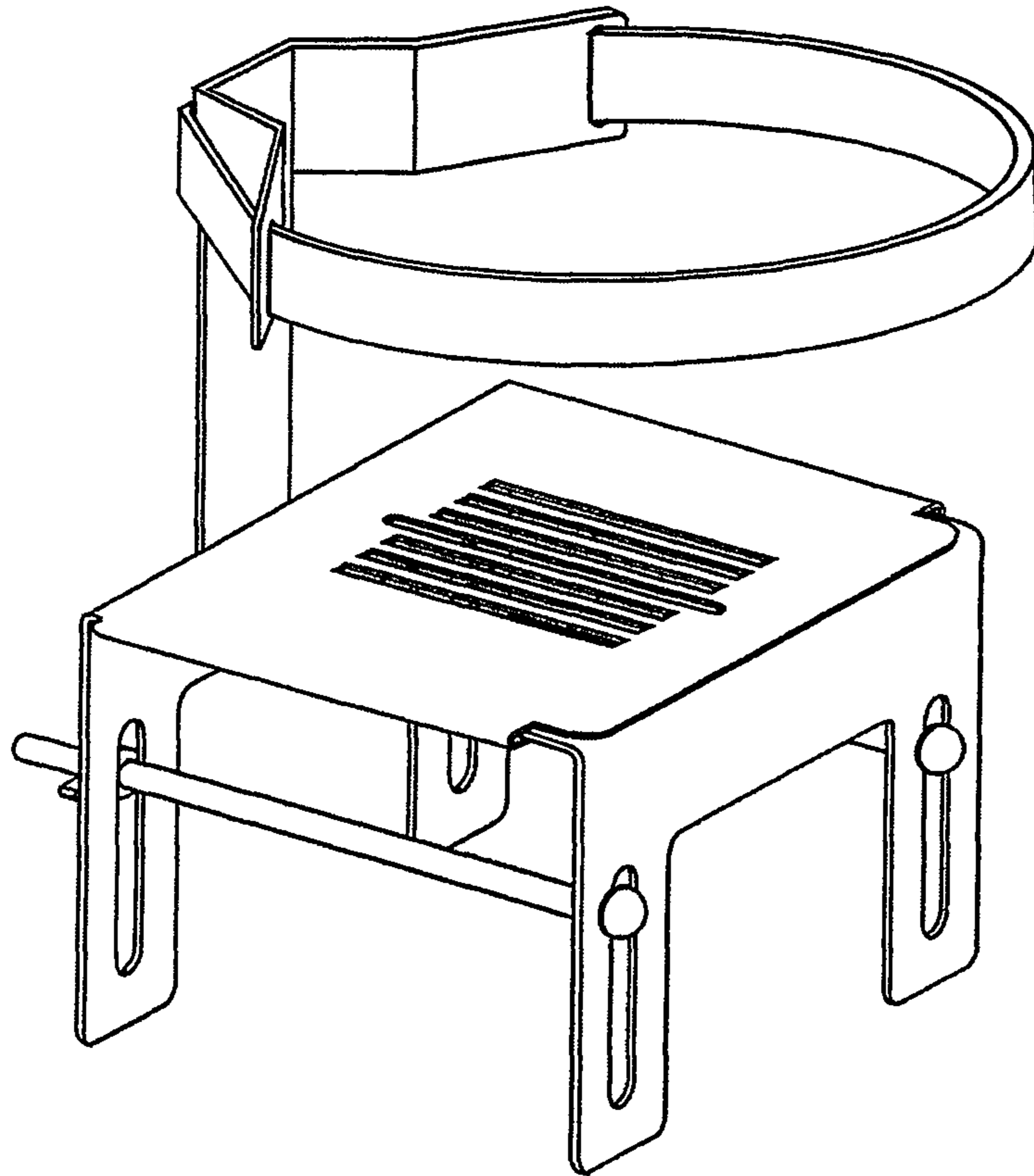


Fig. 5

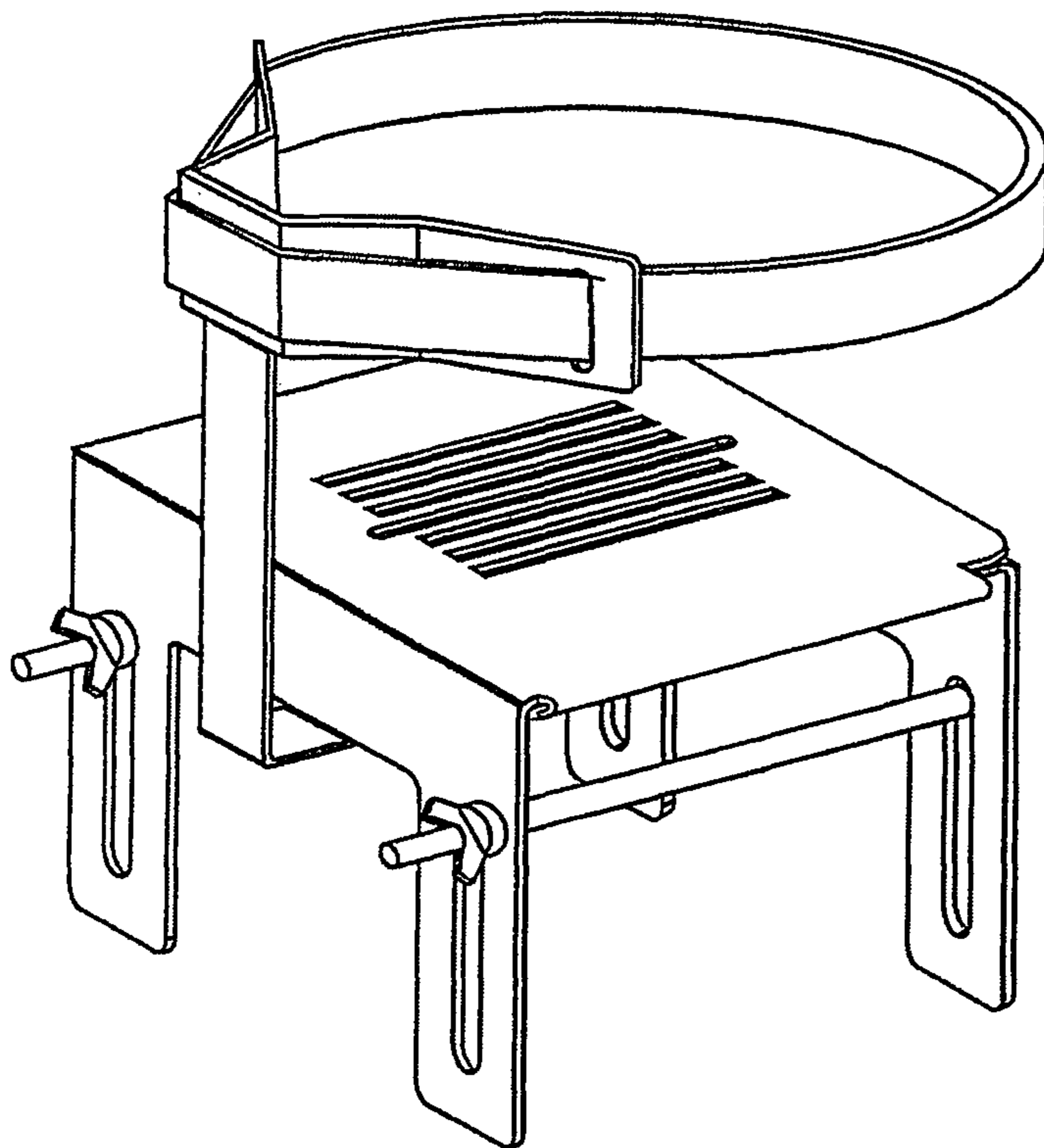


Fig. 6

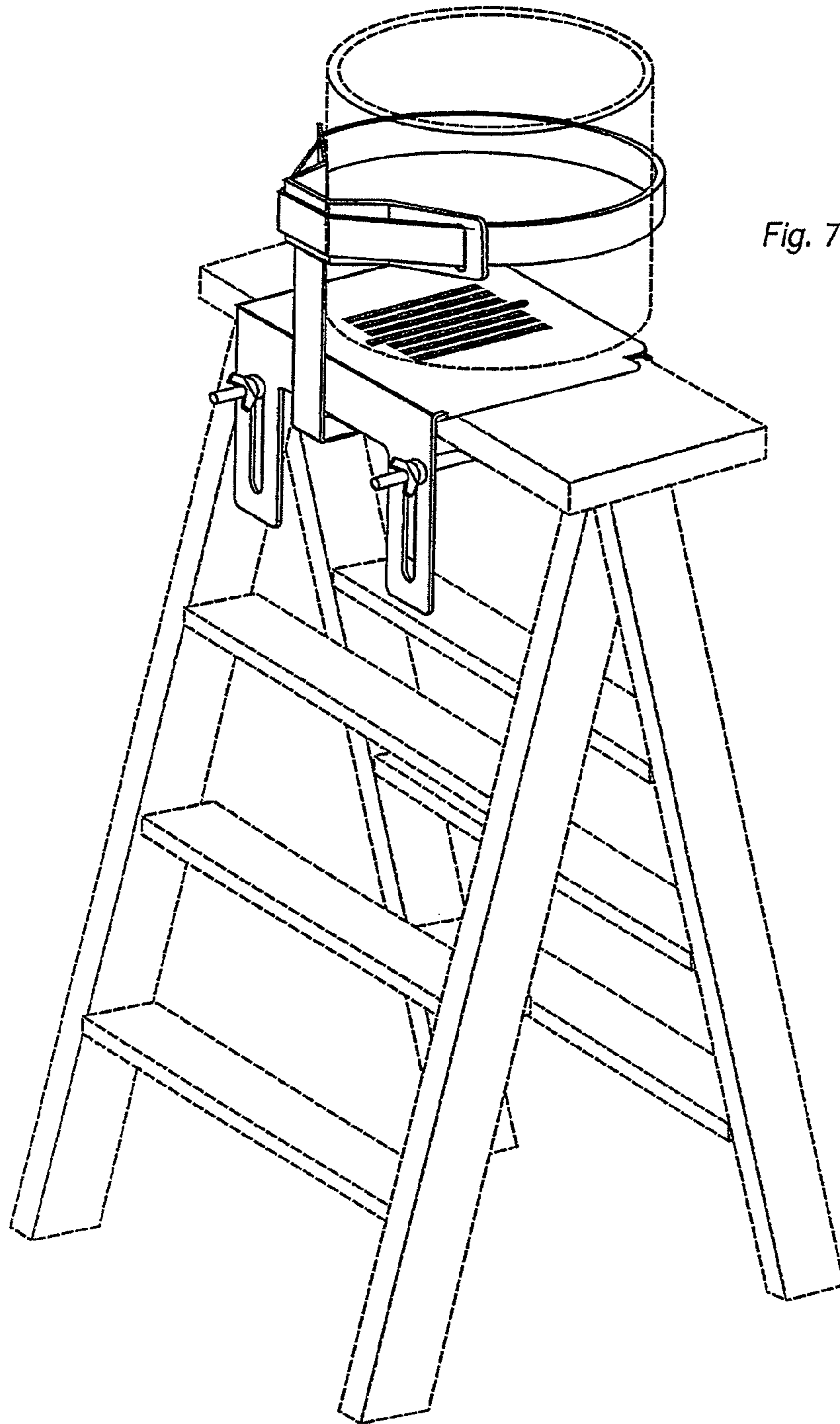


Fig. 7