



US00D734577S

(12) **United States Design Patent**
Ludescher

(10) **Patent No.:** **US D734,577 S**
(45) **Date of Patent:** **** Jul. 14, 2015**

(54) **CRANE**

(71) Applicant: **Liebherr-Werk Nenzing GmbH,**
Nenzing (AT)

(72) Inventor: **Guenter Ludescher,** Weiler (AT)

(73) Assignee: **Liebherr-Werk Nenzing GmbH,**
Nenzing (AT)

(**) Term: **14 Years**

(21) Appl. No.: **29/457,062**

(22) Filed: **Jun. 6, 2013**

(30) **Foreign Application Priority Data**

Dec. 7, 2012 (EP) 2 149 435

(51) **LOC (10) Cl.** **12-05**

(52) **U.S. Cl.**
USPC **D32/33**

(58) **Field of Classification Search**
USPC D34/28, 33, 34; D15/10, 22-31;
182/36, 37; 212/291, 223, 232,
212/301-304

See application file for complete search history.

(56) **References Cited**

U.S. PATENT DOCUMENTS

1,509,295	A *	9/1924	Holcomb et al.	414/690
2,035,044	A *	3/1936	Carle	212/223
D134,464	S *	12/1942	Zeilman	D34/34
4,555,032	A *	11/1985	Mick et al.	212/302
D666,375	S *	8/2012	Bohnacker	D34/33
D666,784	S *	9/2012	Bohnacker	D34/33
8,573,420	B2 *	11/2013	Noske et al.	212/302

* cited by examiner

Primary Examiner — Robin V Webster

(74) *Attorney, Agent, or Firm* — Alleman Hall McCoy
Russell & Tuttle LLP

(57) **CLAIM**

The ornamental design for a crane, as shown and described.

DESCRIPTION

FIG. 1 is a left rear perspective view of a design for a crane according to the present disclosure.

FIG. 2 is a right rear perspective view of the crane of FIG. 1.

FIG. 3 is a front right perspective view of the crane of FIG. 1.

FIG. 4 is a front left perspective view of the crane of FIG. 1.

FIG. 5 is a right side view of the crane of FIG. 1.

FIG. 6 is a left side view of the crane of FIG. 1.

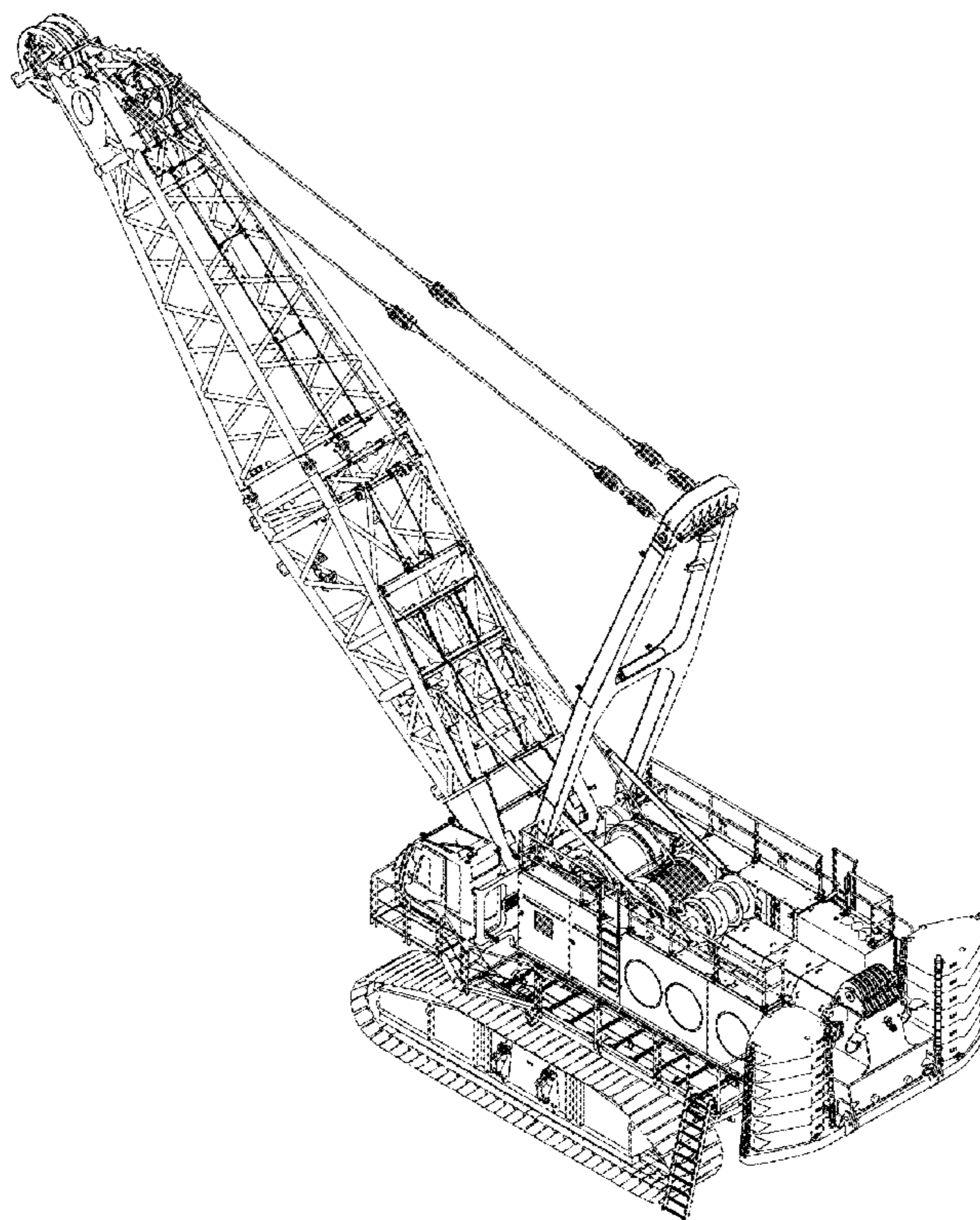
FIG. 7 is a rear view of the crane of FIG. 1.

FIG. 8 is a top view of the crane of FIG. 1; and,

FIG. 9 is a front view of the crane of FIG. 1.

The solid lines in FIGS. 1-9 illustrate a crane according to the present disclosure.

1 Claim, 9 Drawing Sheets



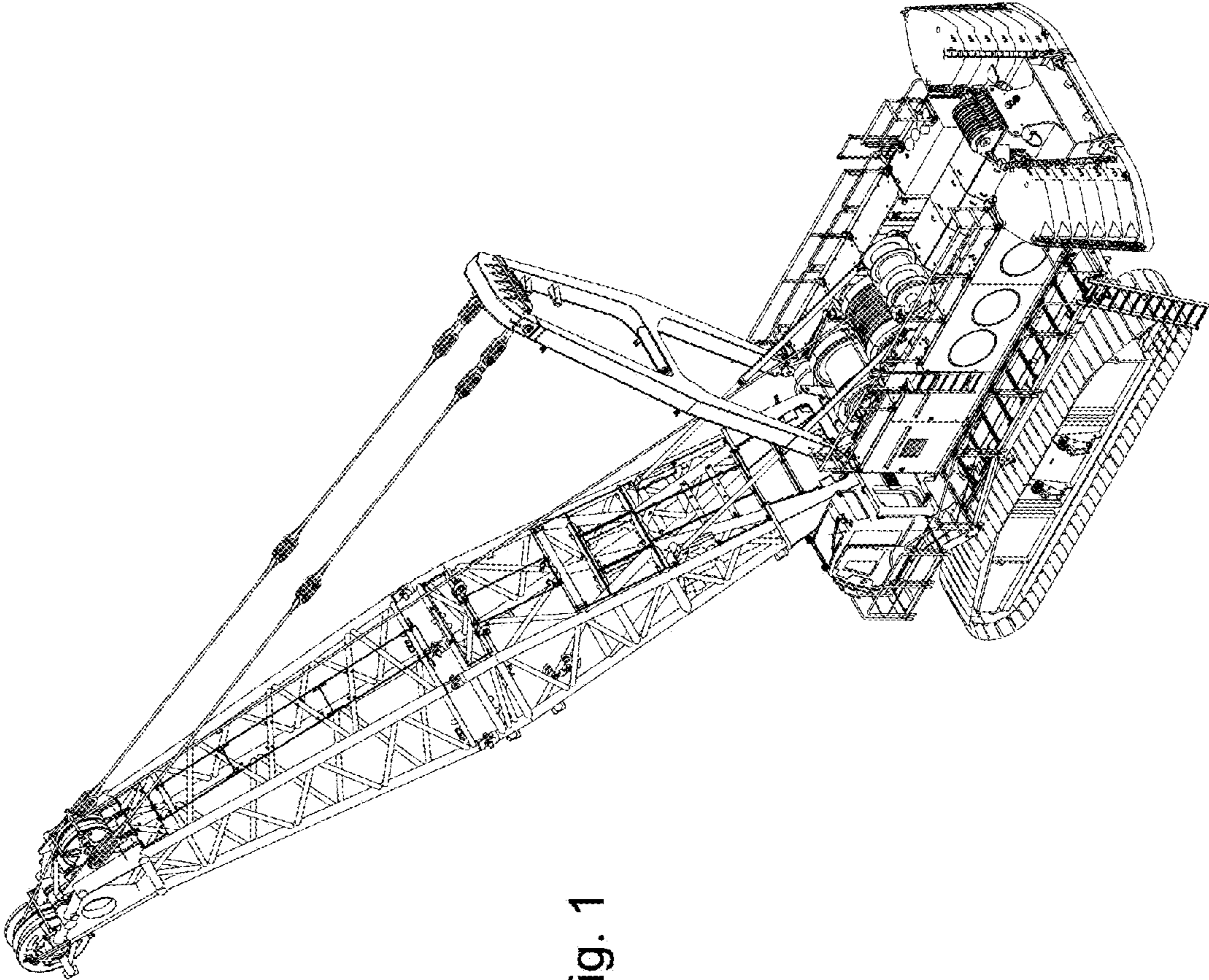
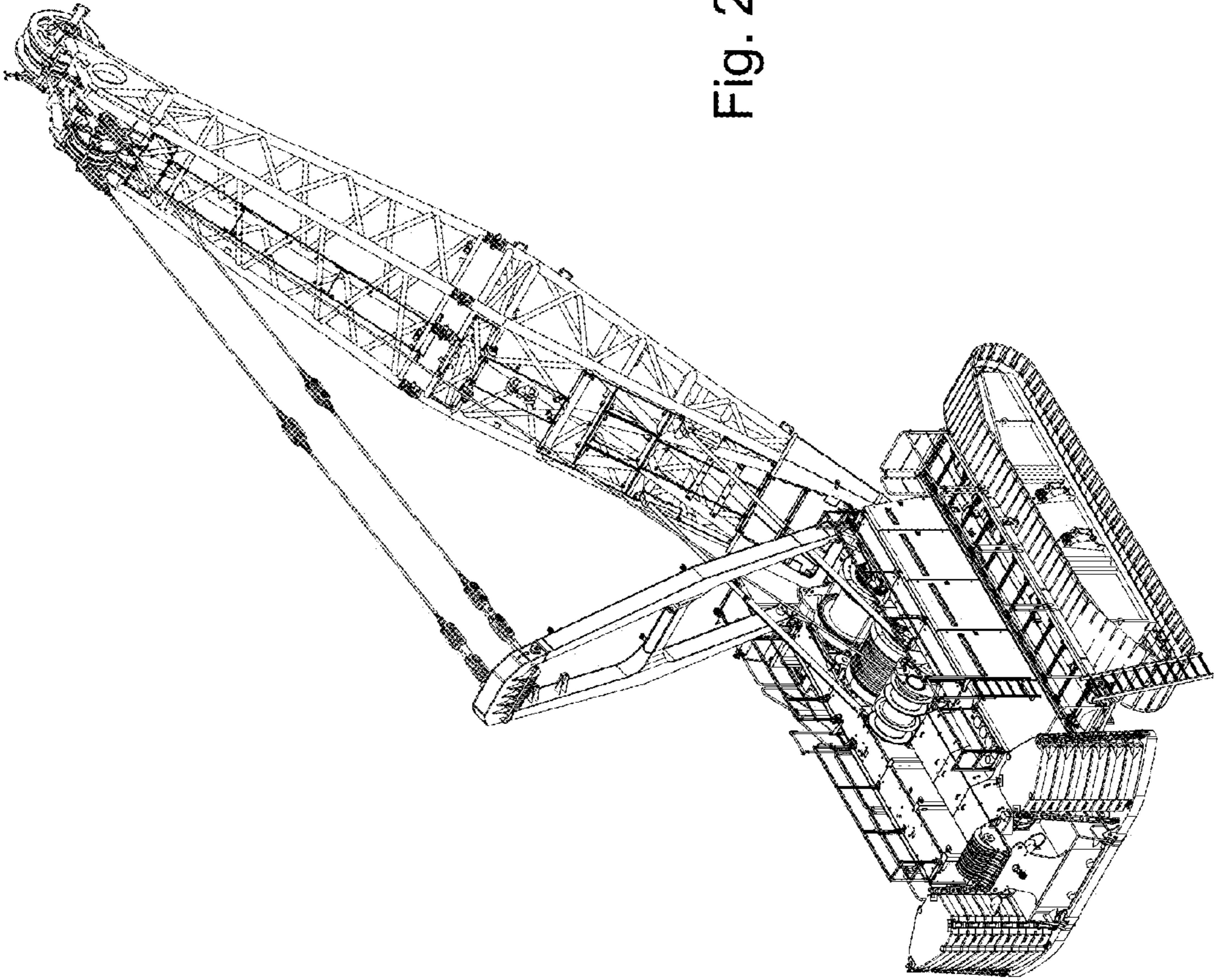


Fig. 1

Fig. 2



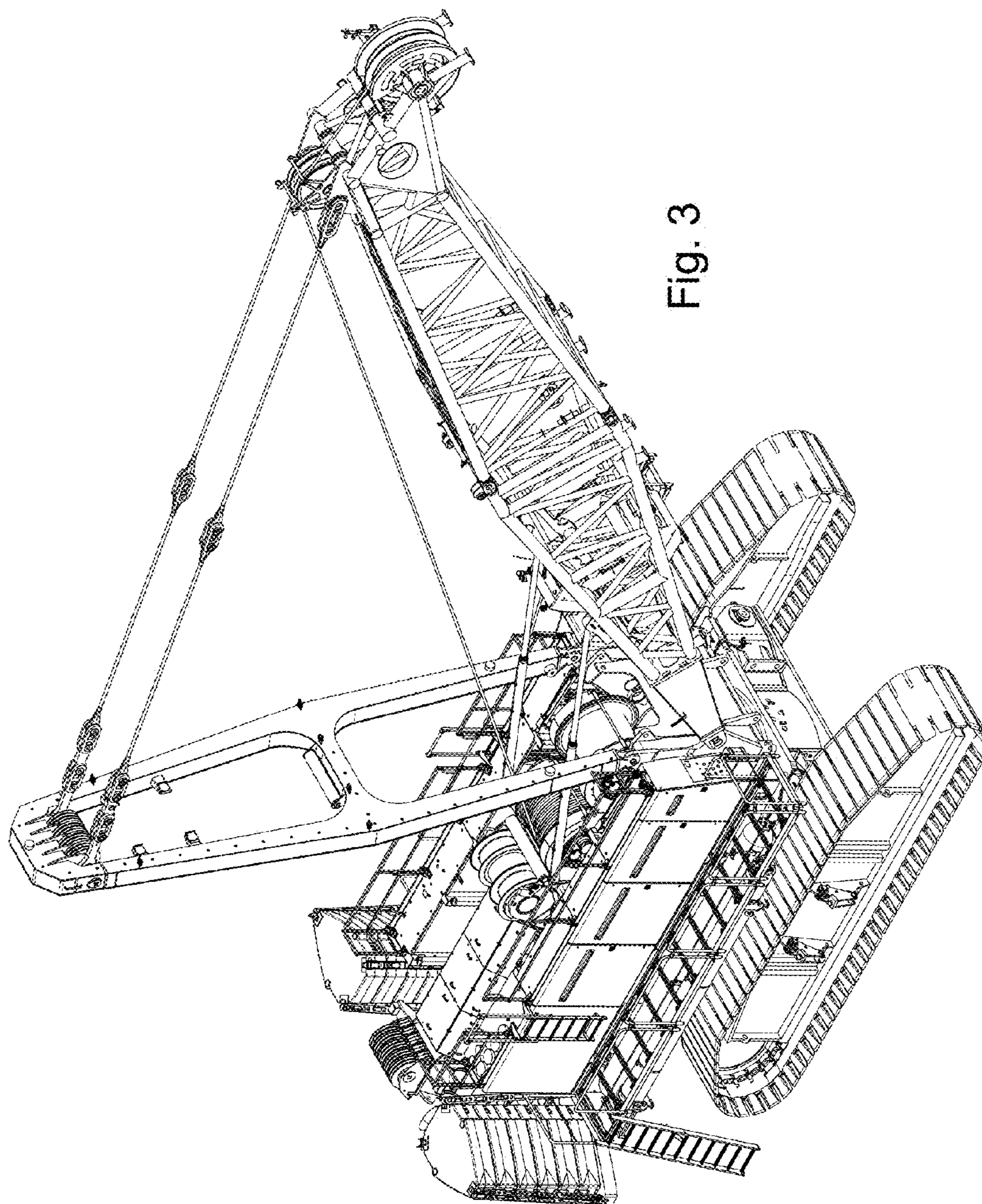


Fig. 3

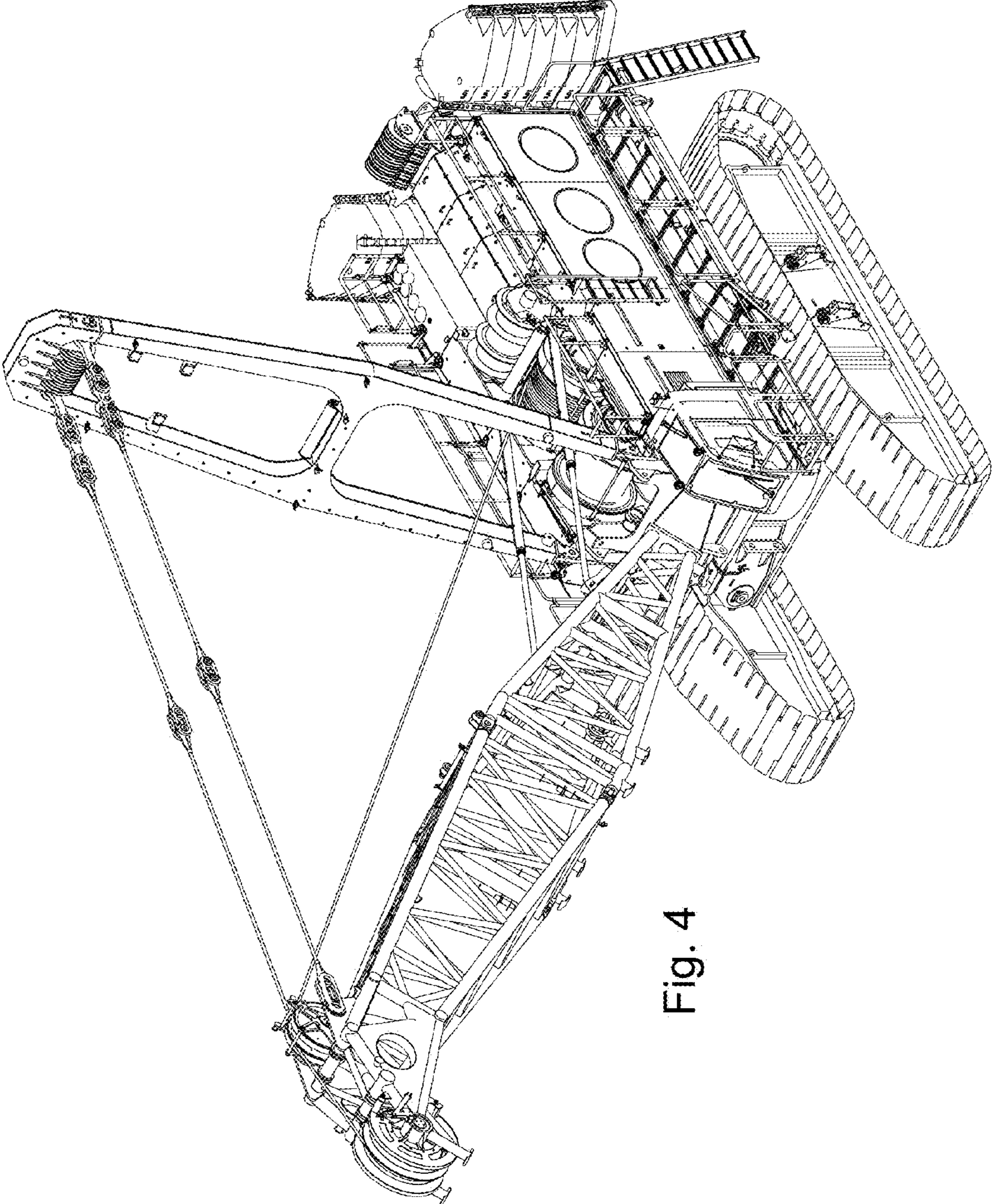


Fig. 4

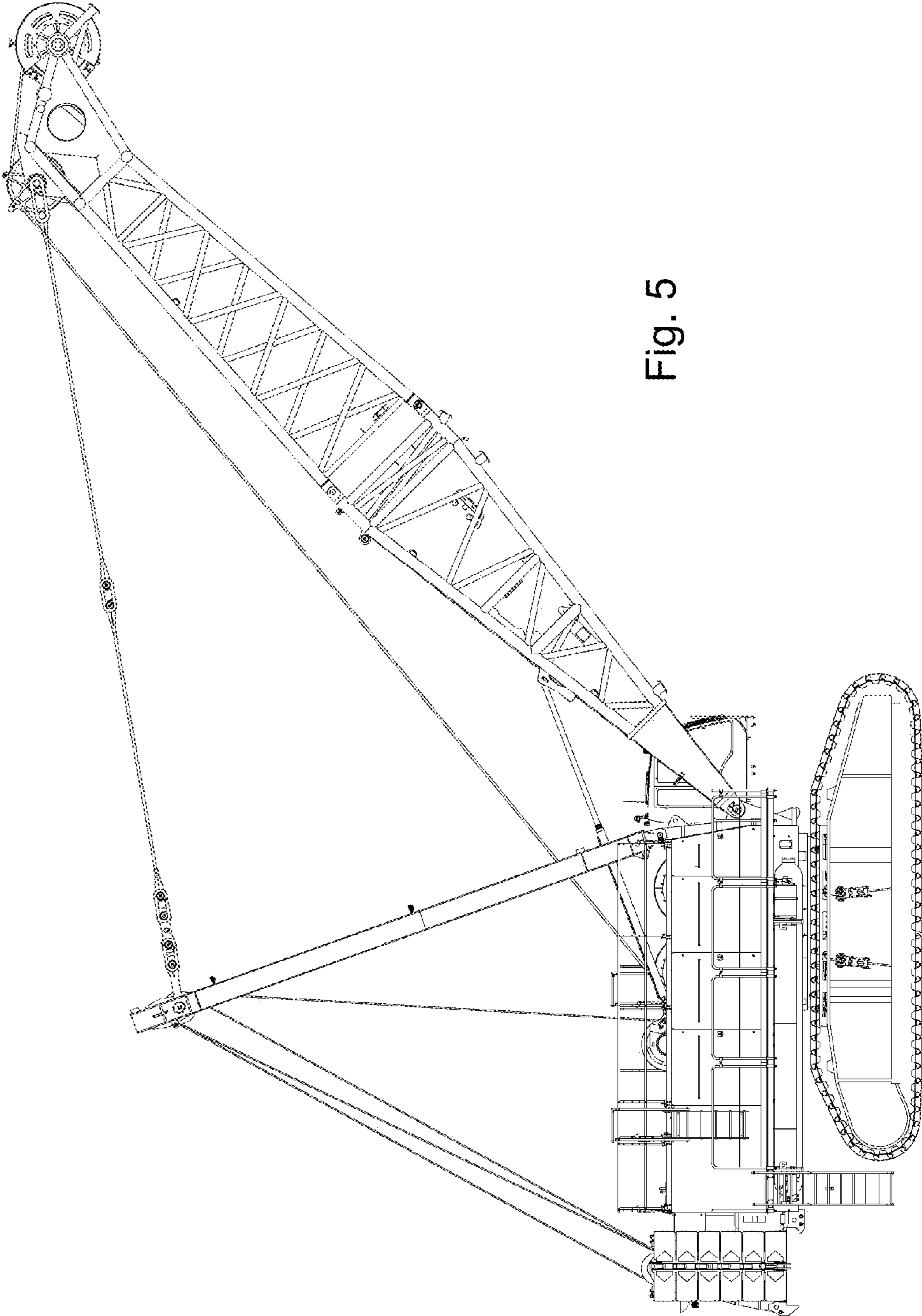


Fig. 5

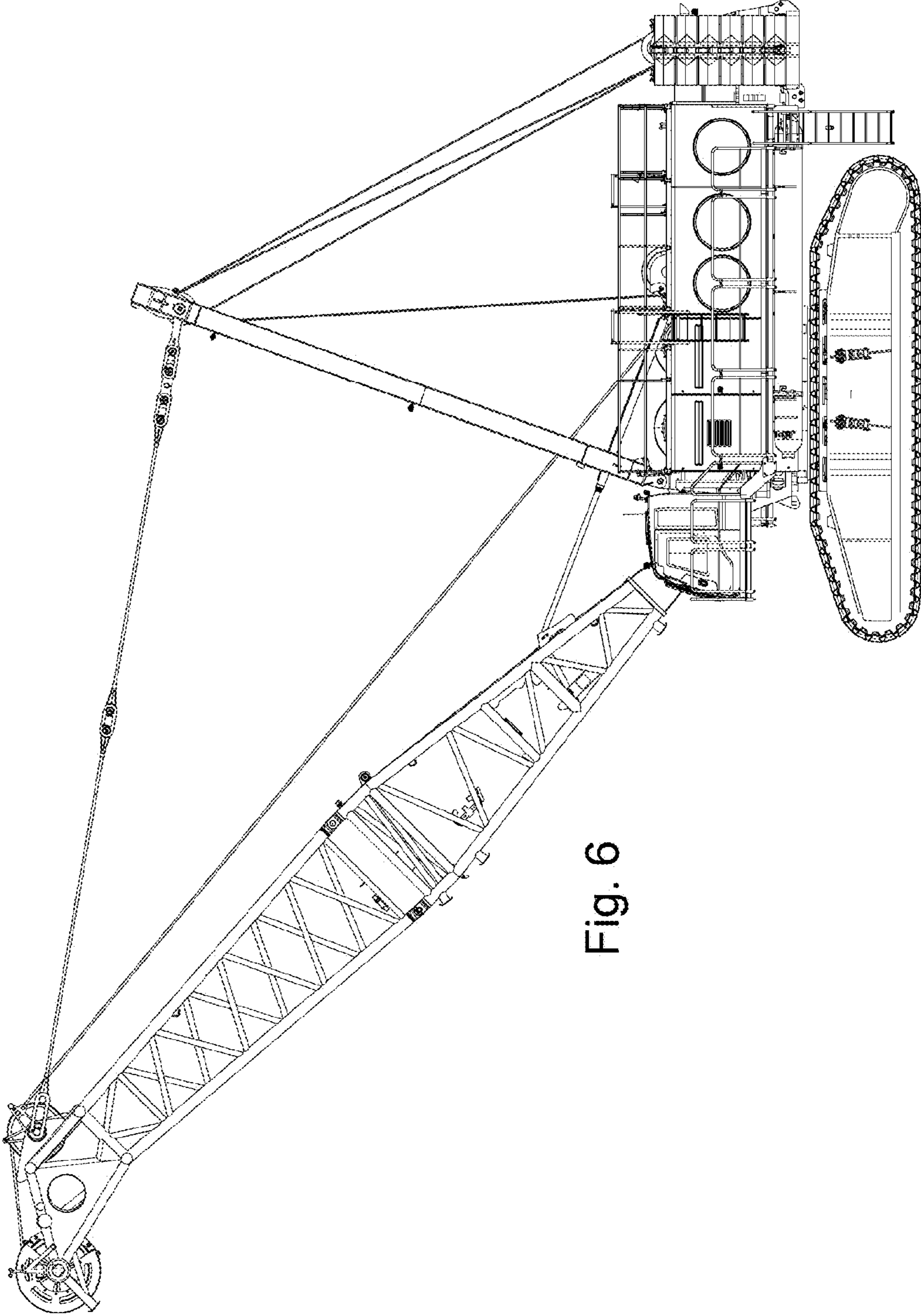


Fig. 6

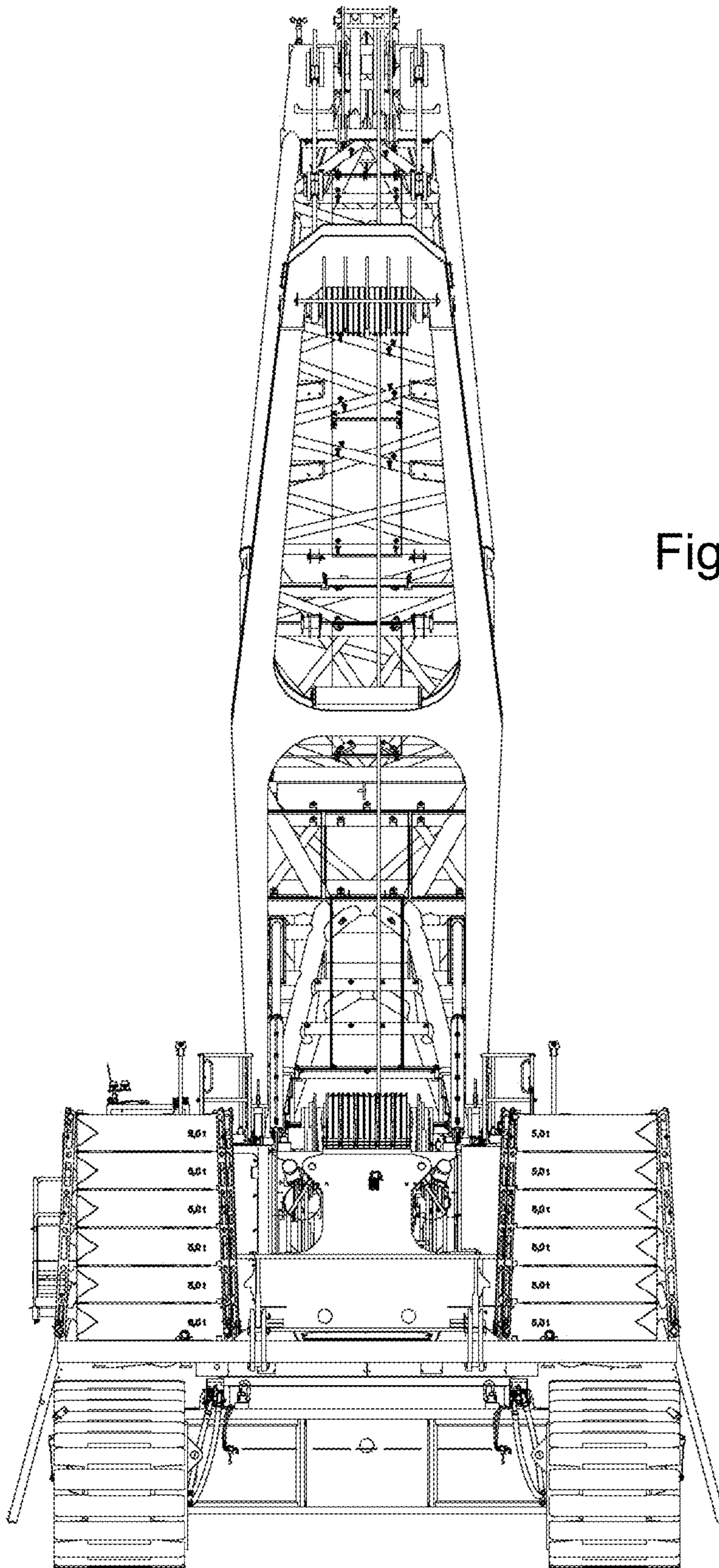


Fig. 7

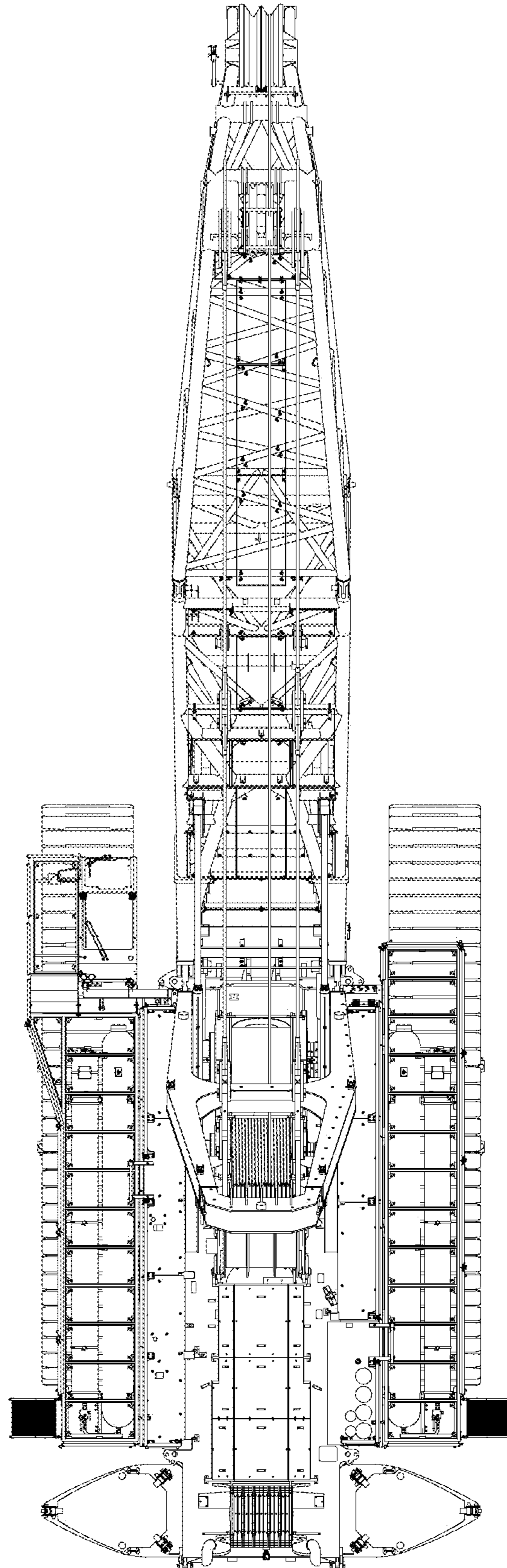


Fig. 8

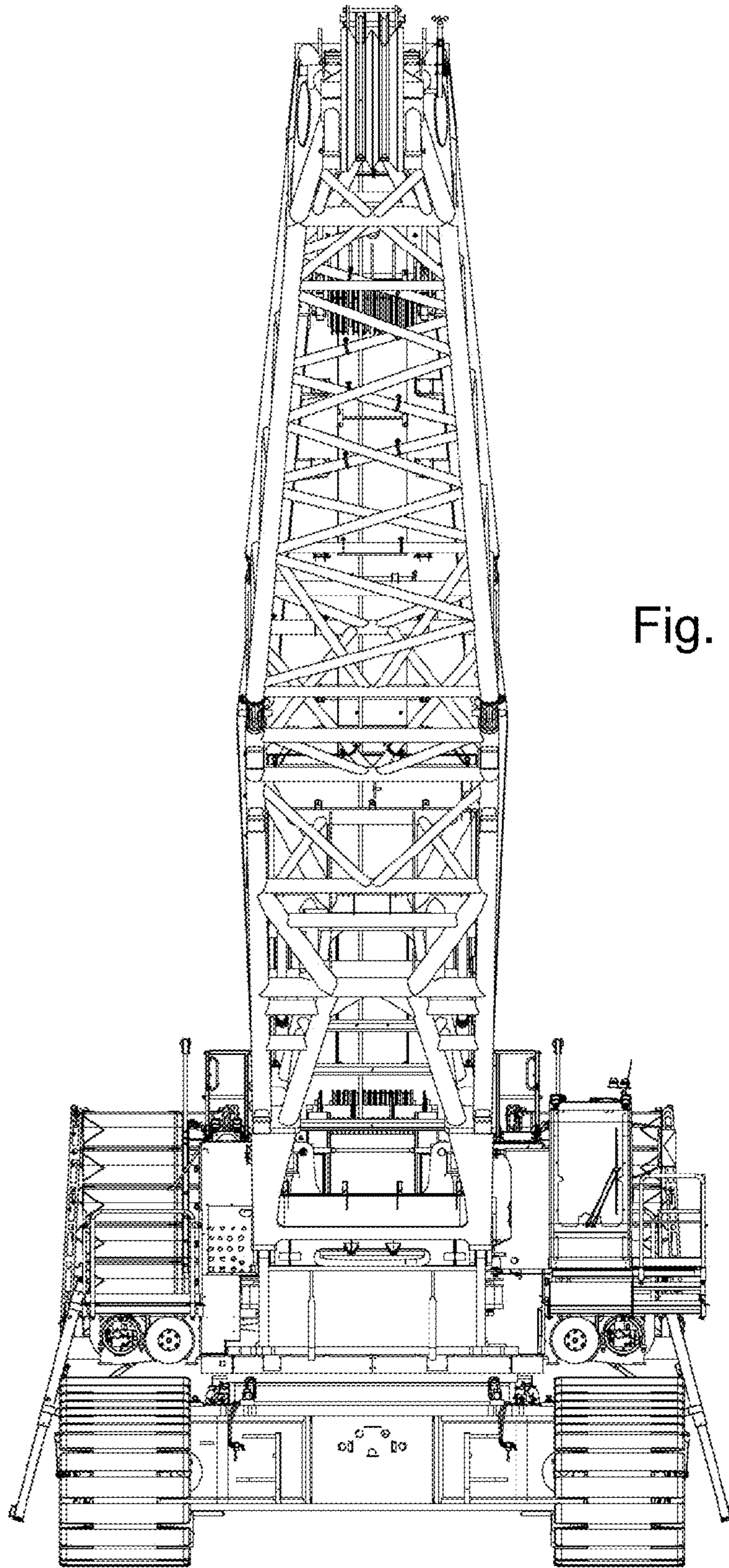


Fig. 9