



US00D734574S

(12) **United States Design Patent**
Schultz

(10) **Patent No.:** **US D734,574 S**
(45) **Date of Patent:** **** Jul. 14, 2015**

(54) **HANDHELD VACUUM FOR HAIR CLIPPINGS**

(71) Applicant: **Michael Schultz**, Sandy Springs, GA
(US)

(72) Inventor: **Michael Schultz**, Sandy Springs, GA
(US)

(**) Term: **14 Years**

(21) Appl. No.: **29/461,180**

(22) Filed: **Jul. 19, 2013**

(51) **LOC (10) Cl.** **15-05**

(52) **U.S. Cl.**
USPC **D32/18**

(58) **Field of Classification Search**
USPC D32/22, 31, 34, 15-16, 17-18, 1;
D30/158
CPC B26B 19/44; A47L 5/24; A47L 15/362;
A47L 15/28; A47L 9/325; A47L 9/2857;
A47L 9/1427
See application file for complete search history.

(56) **References Cited**

U.S. PATENT DOCUMENTS

2,697,876	A	12/1954	Blanchard	
D176,422	S *	12/1955	Madl	D32/18
D184,829	S *	4/1959	Nerheim	D32/18
2,972,160	A	2/1961	Hahn	
D272,568	S *	2/1984	Kuhl	D30/158
4,485,583	A *	12/1984	Planty	43/139
D303,856	S *	10/1989	Yuen	D32/18
D307,067	S *	4/1990	Kuhl et al.	D30/158
5,035,024	A	7/1991	Steiner et al.	
D326,744	S *	6/1992	LeClair	D30/158
5,267,372	A	12/1993	Jones	
D368,342	S *	3/1996	Found	D32/18
D383,260	S *	9/1997	Laube	D30/158
D467,048	S *	12/2002	Masaki	D32/17
6,557,206	B1	5/2003	Liu	
D481,840	S *	11/2003	Lammers et al.	D32/18
D543,667	S *	5/2007	Yoshimoto et al.	D32/18

D553,810	S *	10/2007	Lau	D32/18
D595,018	S *	6/2009	Hsu	D32/18
D624,254	S *	9/2010	Ediger et al.	D32/17
D626,708	S *	11/2010	Khalil et al.	D32/18
D647,259	S *	10/2011	Ediger et al.	D32/17
8,069,529	B2	12/2011	Groff et al.	
8,225,512	B2	7/2012	Coleman et al.	
D723,228	S *	2/2015	Luglan	D32/18
2005/0210624	A1 *	9/2005	Lammers et al.	15/344
2006/0230619	A1	10/2006	Williams et al.	
2009/0277012	A1 *	11/2009	Mikula et al.	30/41.6
2011/0308035	A1 *	12/2011	Casper	15/344

(Continued)

FOREIGN PATENT DOCUMENTS

EP	0008117	B1	2/1980
EP	0847721	B1	6/1998

(Continued)

Primary Examiner — Ruth McInroy

(74) *Attorney, Agent, or Firm* — Mathew L. Grell; Balser & Grell IP Law

(57) **CLAIM**

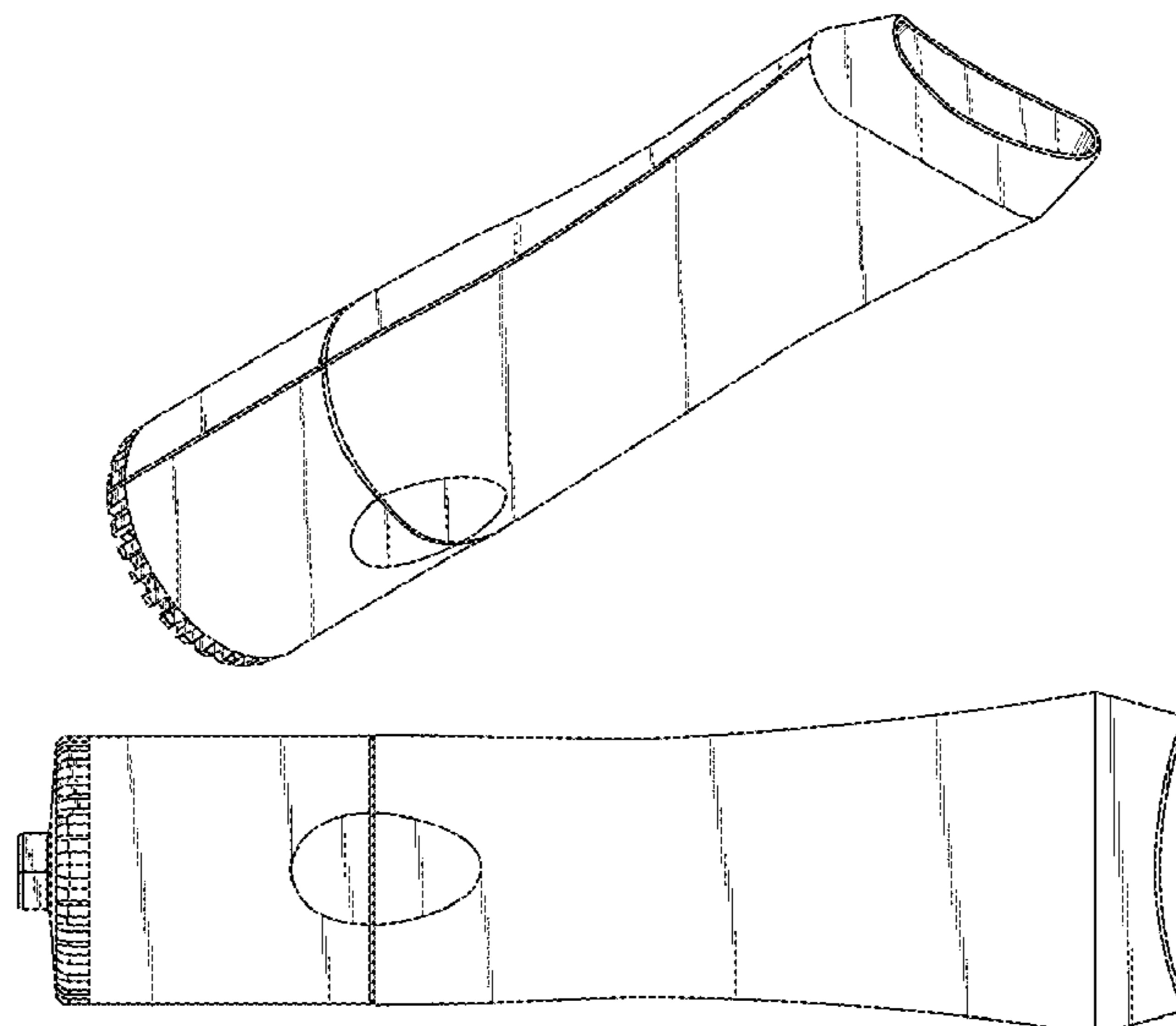
The ornamental design for a handheld vacuum for hair clippings, as shown and described.

DESCRIPTION

FIG. 1 is a perspective view of a handheld vacuum for hair clippings showing my new design; FIG. 2 is a bottom view thereof; FIG. 3 is a top view thereof; FIG. 4 is a right side view thereof; FIG. 5 is a left side view thereof; FIG. 6 is a front view thereof; and, FIG. 7 is a rear view thereof.

This disclosure relates generally to vacuum cleaners, and, more specifically, to an ornamental design for a handheld vacuum cleaner for vacuuming hair clippings around a person's neck.

1 Claim, 4 Drawing Sheets



(56)

References Cited

FOREIGN PATENT DOCUMENTS

U.S. PATENT DOCUMENTS

2013/0031742 A1 2/2013 Miefalk et al.
2014/0366312 A1* 12/2014 Christensen 15/344

EP 1222891 B1 7/2002
EP 1775078 A1 4/2007

* cited by examiner

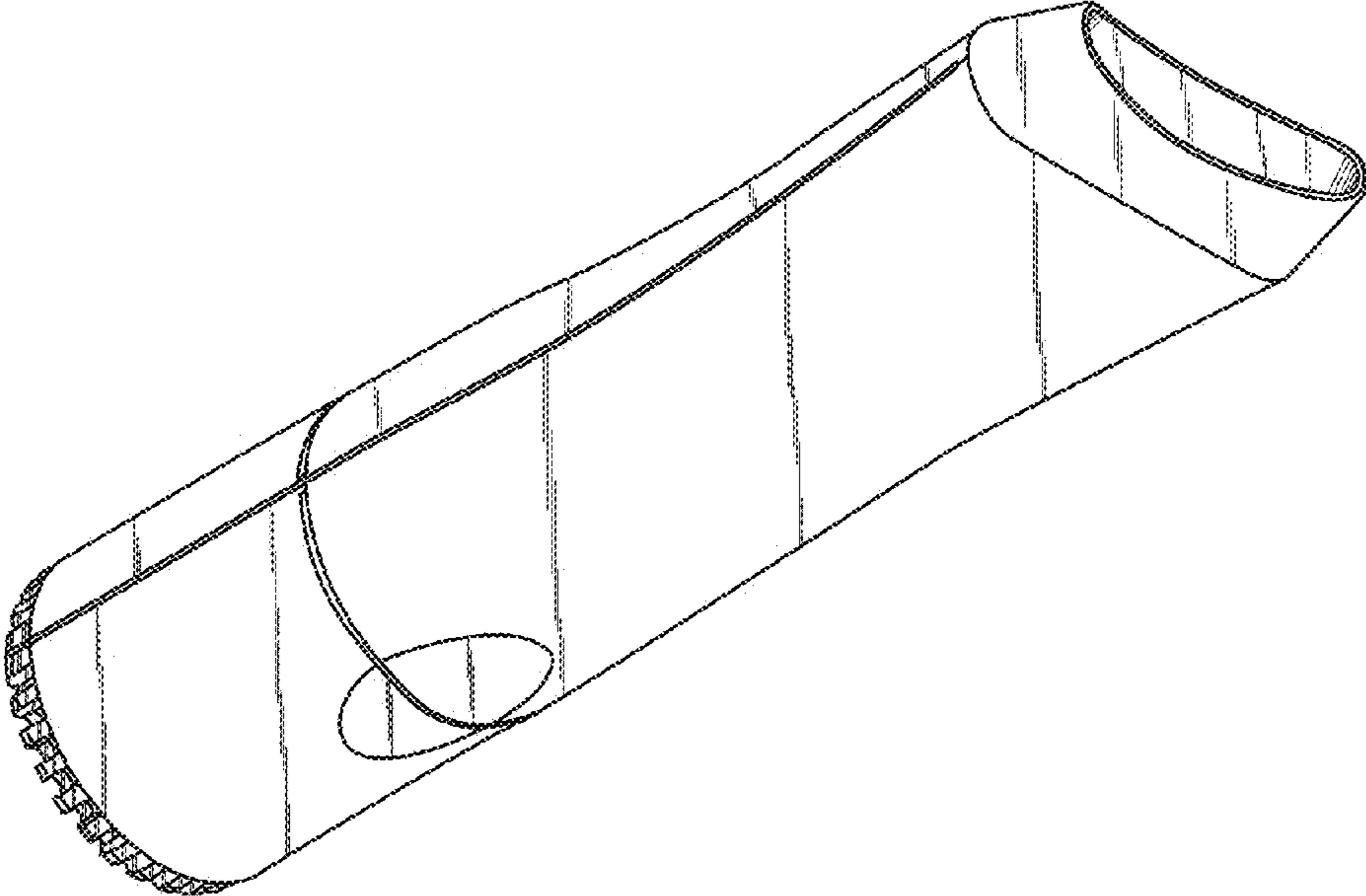


FIG. 1

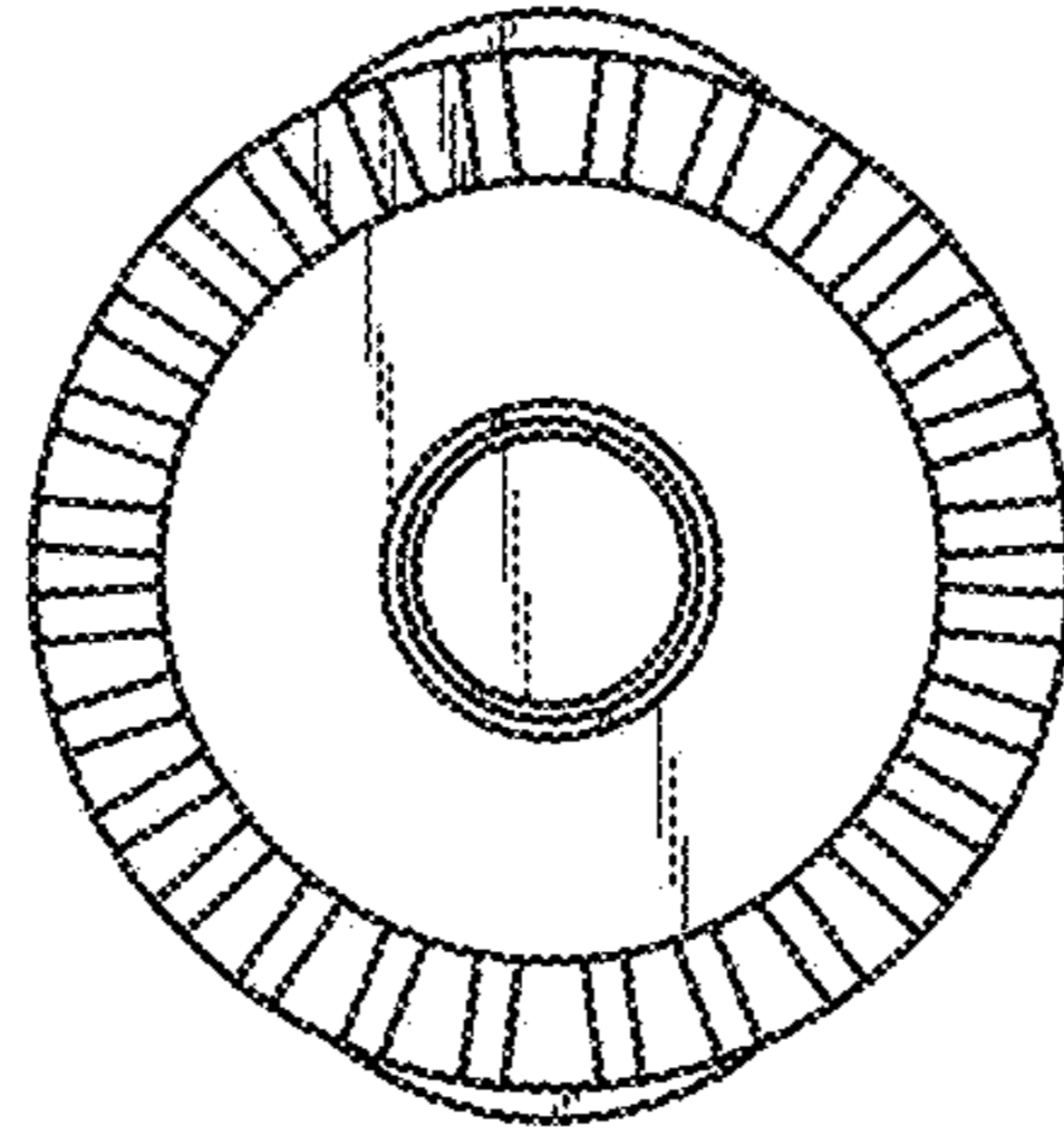


FIG. 2

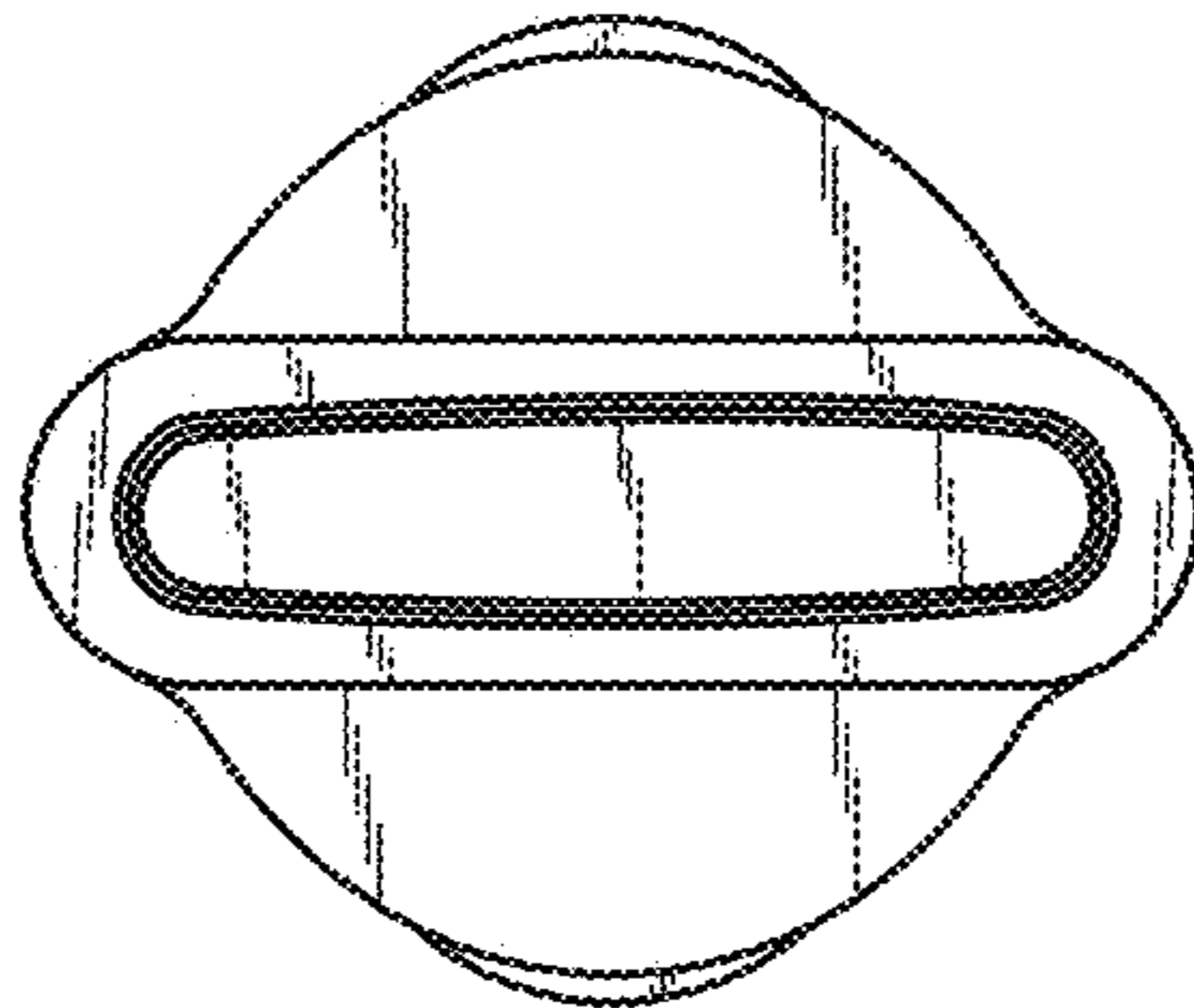


FIG. 3

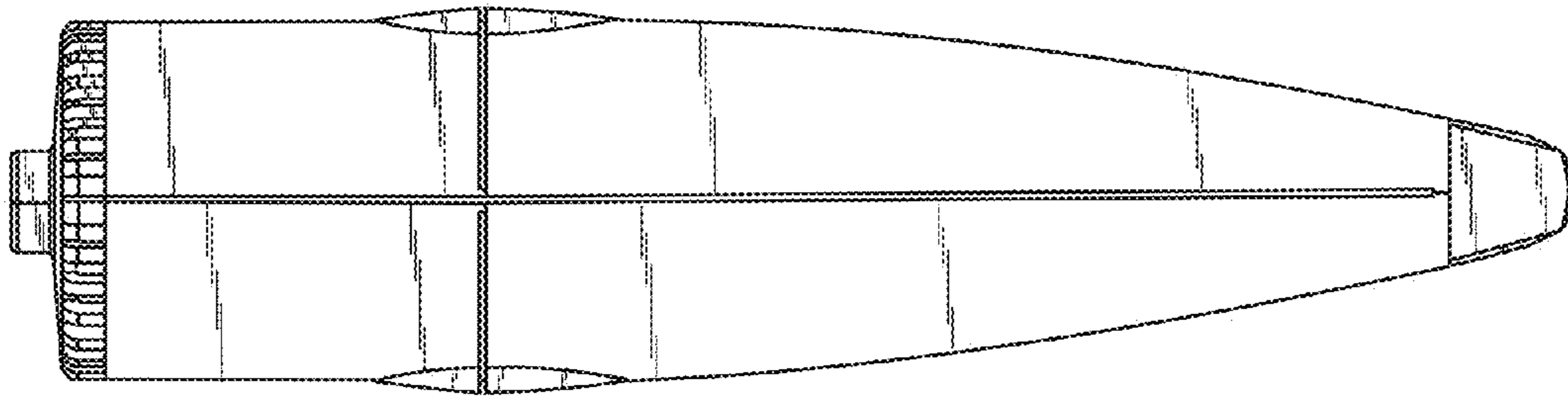


FIG. 4

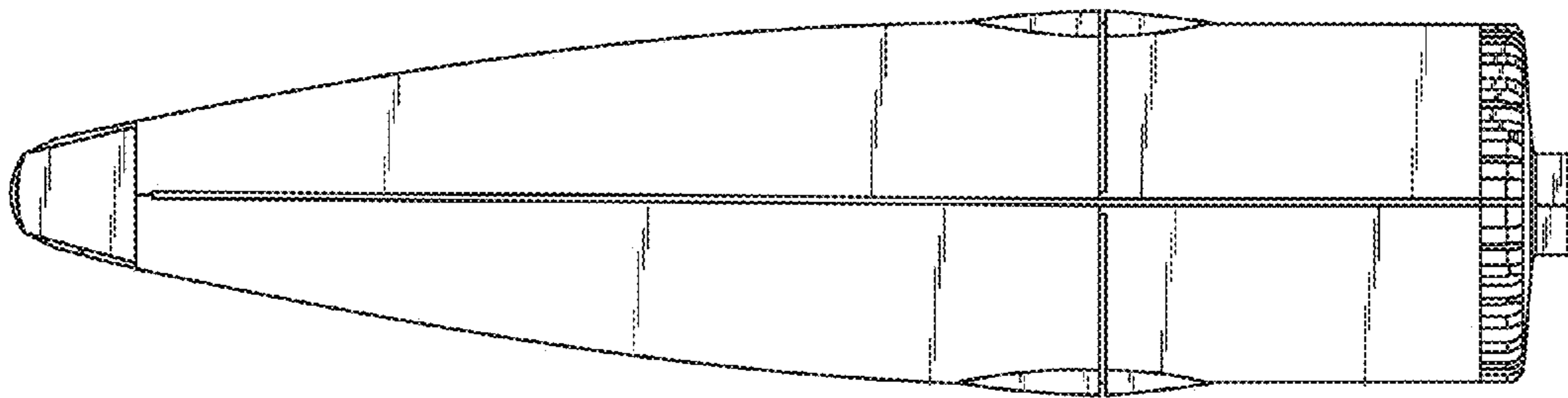


FIG. 5

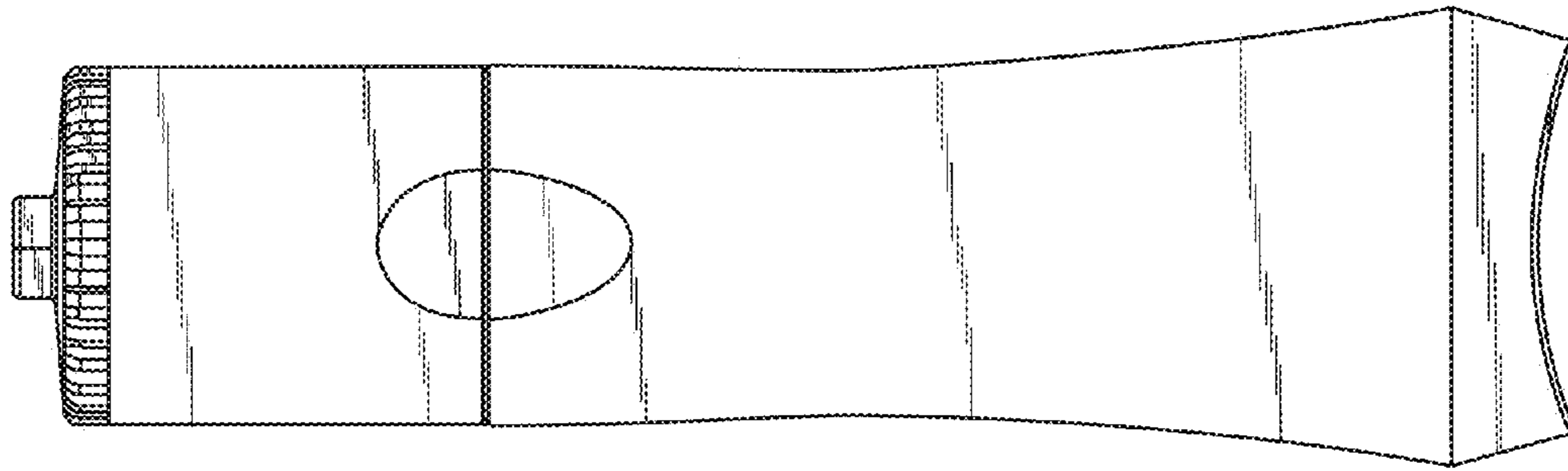


FIG. 6

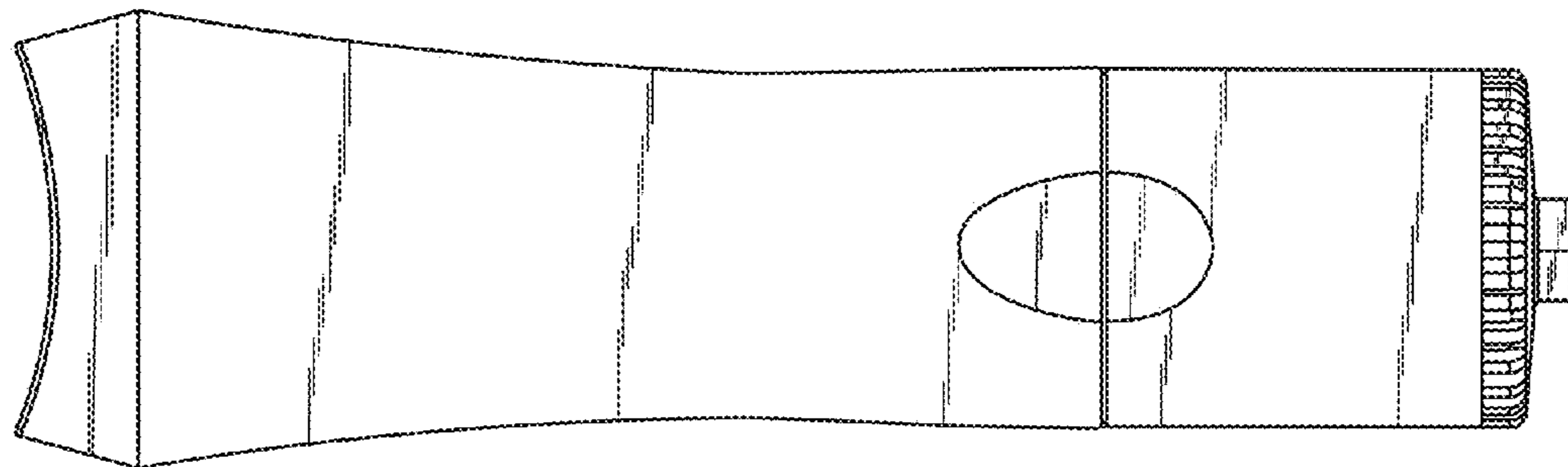


FIG. 7