



US00D734573S

(12) **United States Design Patent**  
**Dammkoehler**

(10) **Patent No.:** **US D734,573 S**  
(45) **Date of Patent:** **\*\* Jul. 14, 2015**

- (54) **FLOOR CLEANING MACHINE**
- (71) Applicant: **Alfred Kaercher GmbH & Co. KG**,  
Winnenden (DE)
- (72) Inventor: **Denis Dammkoehler**, Backnang (DE)
- (73) Assignee: **Alfred Kaercher GmbH & Co. KG**,  
Winnenden (DE)
- (\*\*) Term: **14 Years**
- (21) Appl. No.: **29/470,579**
- (22) Filed: **Oct. 23, 2013**
- (30) **Foreign Application Priority Data**  
May 17, 2013 (WO) ..... DM/080 953
- (51) **LOC (10) Cl.** ..... **15-05**
- (52) **U.S. Cl.**  
USPC ..... **D32/16**
- (58) **Field of Classification Search**  
USPC ..... D32/1.2, 6, 12, 15-16; 134/57 R; 68/5 C,  
68/13 R, 27-28; 15/213-214, 320, 323,  
15/345, 383; D15/199; D24/217; 239/88,  
239/146, 332, 398; 417/34, 307, 364  
CPC ..... A47L 7/0036  
See application file for complete search history.

- (56) **References Cited**  
**U.S. PATENT DOCUMENTS**  
D202,170 S \* 9/1965 Little et al. .... D32/16  
D206,576 S \* 1/1967 Knapp et al. .... D32/16  
4,667,364 A \* 5/1987 Meili ..... 15/320  
4,759,094 A \* 7/1988 Palmer et al. .... 15/320  
D332,158 S \* 12/1992 Bothun et al. .... D32/15  
D417,045 S \* 11/1999 Dziersk et al. .... D32/16  
D510,896 S \* 10/2005 Hoelzel et al. .... D12/175  
D533,320 S \* 12/2006 Pedlar ..... D32/16

- D542,988 S \* 5/2007 Dammkoehler et al. .... D32/16
- D544,659 S \* 6/2007 Auerswald et al. .... D32/16
- D549,405 S \* 8/2007 Dammkoehler ..... D32/16
- D569,057 S \* 5/2008 Goff ..... D32/16
- D571,512 S \* 6/2008 Dammkoehler et al. .... D32/15
- D659,308 S \* 5/2012 Dammkoehler ..... D32/16
- D661,853 S \* 6/2012 Dammkoehler ..... D32/16
- 2008/0276414 A1 \* 11/2008 Wood et al. .... 15/383

(Continued)

**FOREIGN PATENT DOCUMENTS**

- CN 300865016 \* 12/2008
- CN 301625399 \* 7/2011

(Continued)

**OTHER PUBLICATIONS**

Eureka Sweepers Youtube clip date Jan. 15, 2013, online, site visited Mar. 3, 2015, <https://www.youtube.com/watch?v=-bm39iH7YJ0>.\*

(Continued)

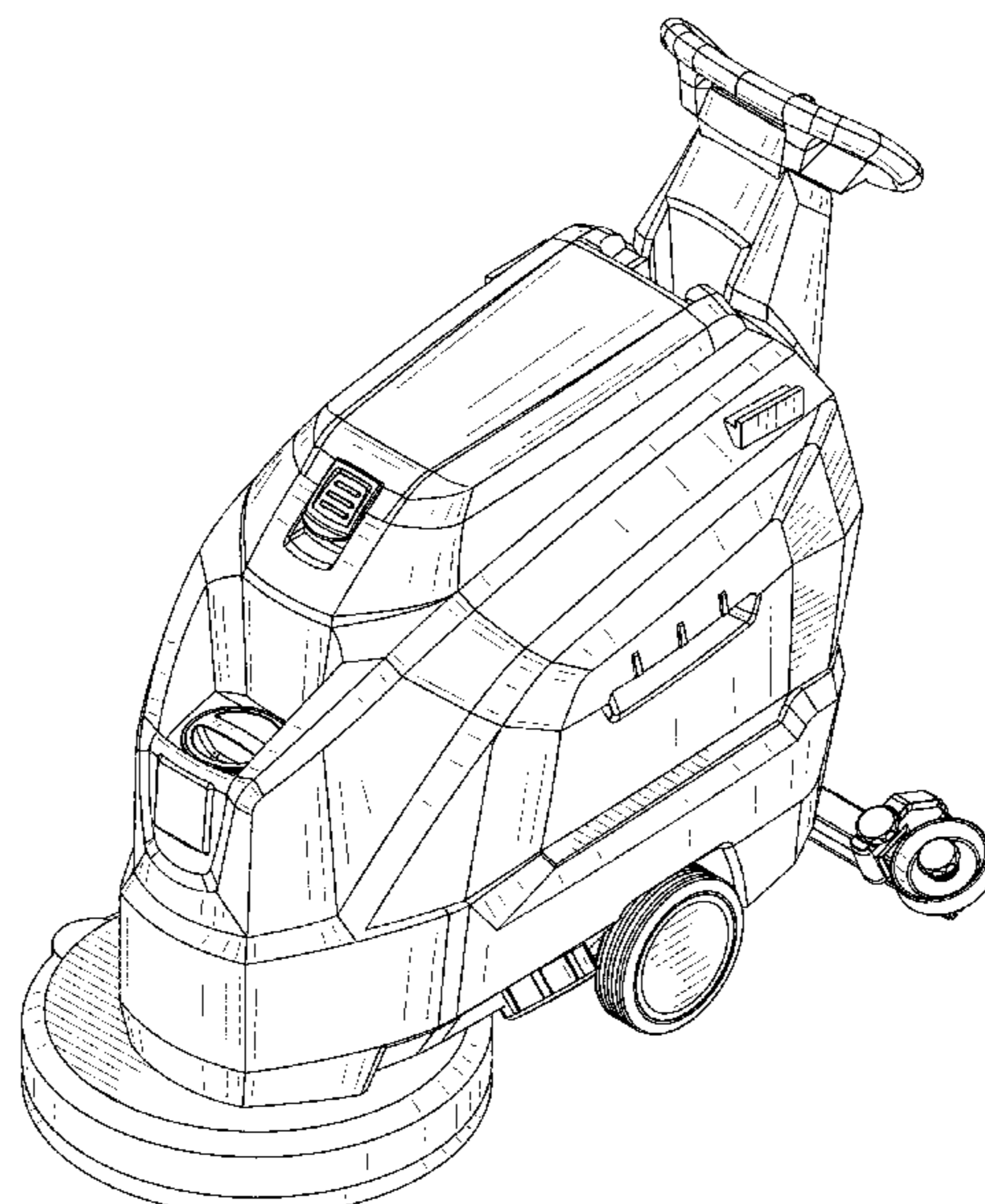
*Primary Examiner* — John Windmuller  
*Assistant Examiner* — John R Yeh  
(74) *Attorney, Agent, or Firm* — Lipsitz & McAllister, LLC

(57) **CLAIM**  
The ornamental design for a floor cleaning machine, as shown and described.

**DESCRIPTION**

FIG. 1 is a front, top and left side perspective view of a floor cleaning machine showing the new design; FIG. 2 is a front, top and right side perspective view thereof; FIG. 3 is a front elevational view thereof; FIG. 4 is a left side elevational view thereof; FIG. 5 is a rear elevational view thereof; FIG. 6 is a right side elevational view thereof; and, FIG. 7 is a top plan view thereof.

**1 Claim, 7 Drawing Sheets**



(56)

**References Cited**

U.S. PATENT DOCUMENTS

2010/0212690	A1*	8/2010	Linden et al. ....	134/6
2011/0047730	A1*	3/2011	Krausnick et al. ....	15/49.1
2011/0197916	A1*	8/2011	Oberhaensli et al. ....	134/6
2014/0144467	A1*	5/2014	Merz et al. ....	134/6

FOREIGN PATENT DOCUMENTS

CN	301804684	*	1/2012
JP	D1436475	*	3/2012
WO	WO D073008-004	*	1/2011

OTHER PUBLICATIONS

Factory Cat Micro Mag scrubber brochure date Sep. 2011, online, site visited Mar. 4, 2015, <http://www.factorycat.com/docs/brochures/FC-MicroMag.pdf>.\*

Floor Scrubbers and Floor Sweepers, website copyright 2012, <http://www.performancepeople.com/products/scrubbers-sweepers>, [site visited Mar. 4, 2015 9:27:02 PM].\*

Industrial Cleaning Equipment | Industrial Cleaning Machines, Internet wayback date Aug. 21, 2011, online, <http://web.archive.org/web/20110821052021/http://www.cleanhire.co.uk/>, [site visited Mar. 4, 2015 9:25:07 PM].\*

Wiese | Walk Behind and Rider Industrial Floor Scrubbers, wayback date Jan. 22, 2012, online, <http://web.archive.org/web/20120122004332/http://www.wieseusa.com/scrubbers.html>, [site visited Mar. 4, 2015 9:22:37 PM].\*

Extract from catalog of Alfred Kaercher GmbH & Co. KG, "Programme 2008", cover, pp. 214-225, 233, 235 and last page (Dec. 2007).

Extract from catalog of Alfred Kaercher GmbH & Co. KG, "Programme 2009 Kaercher Professional Commercial", cover, pp. 135, 147, 154-165 and last page (Mar. 2009).

Extract from catalog of Alfred Kaercher GmbH & Co. KG, "Programme 2010 Kaercher Professional", cover, pp. 146, 159, 166-177 and last page (Nov. 2009).

Extract from catalog of Alfred Kaercher GmbH & Co. KG, "Programme 2011 Kaercher Professional (Commercial)", cover, pp. 203-204, 206, 208, 210-211 and last page (Nov. 2010).

Extract from catalog of Alfred Kaercher GmbH & Co. KG, "Programme 2011 Kaercher Professional (Professional, Industrial)", cover, pp. 51-53, 64-65, 73-76, 78, 80-82 and last page (Nov. 2010).

Extract from catalog of Alfred Kaercher GmbH & Co. KG, "Programme 2012 Kaercher Professional", cover, pp. 219-220 and last page (Nov. 2011).

Extract from catalog of Alfred Kaercher GmbH & Co. KG, "Programme 2012 Kaercher Professional (Professional, Industrial)" cover, pp. 16, 26, 30, 36 and last page (Nov. 2011).

\* cited by examiner

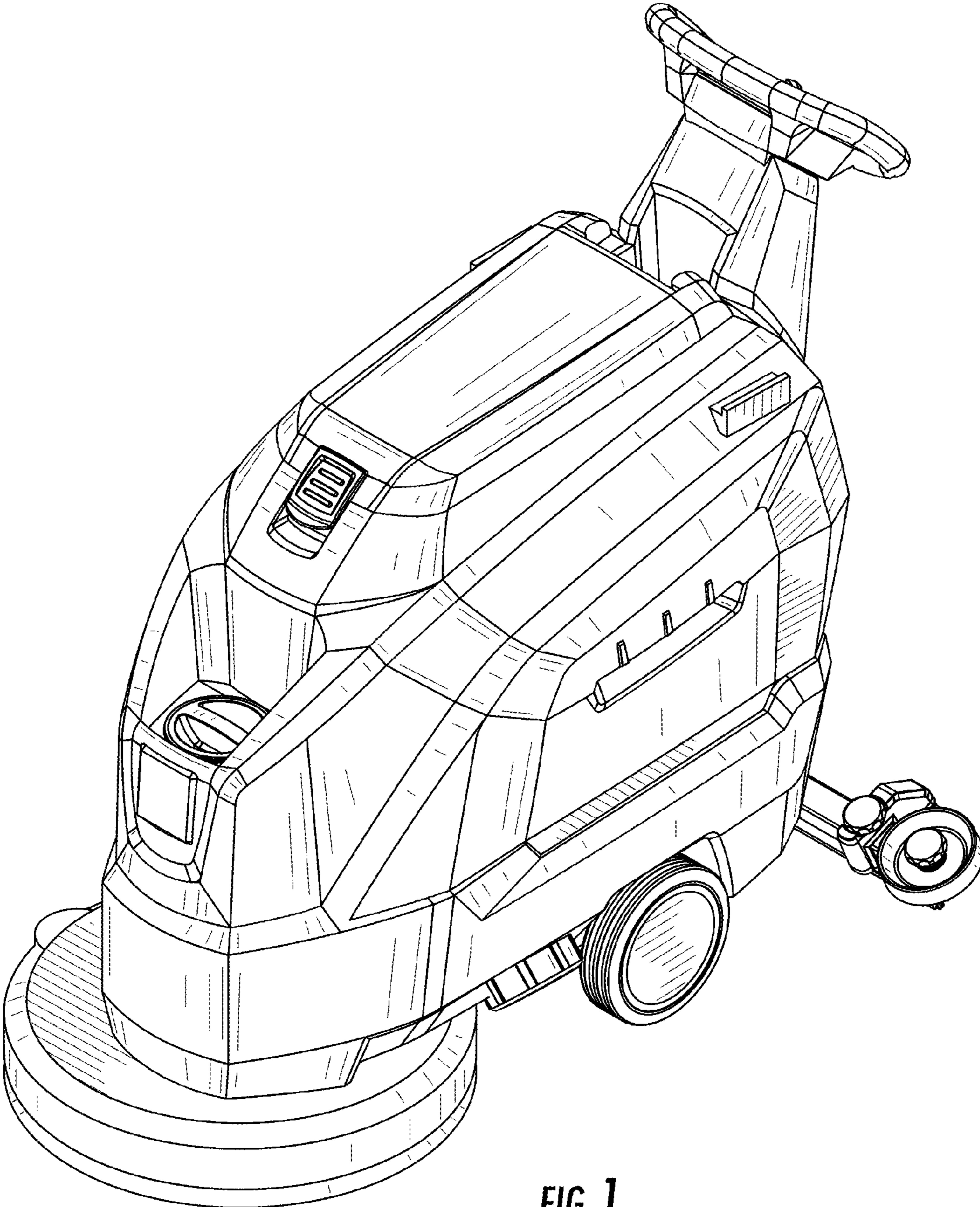
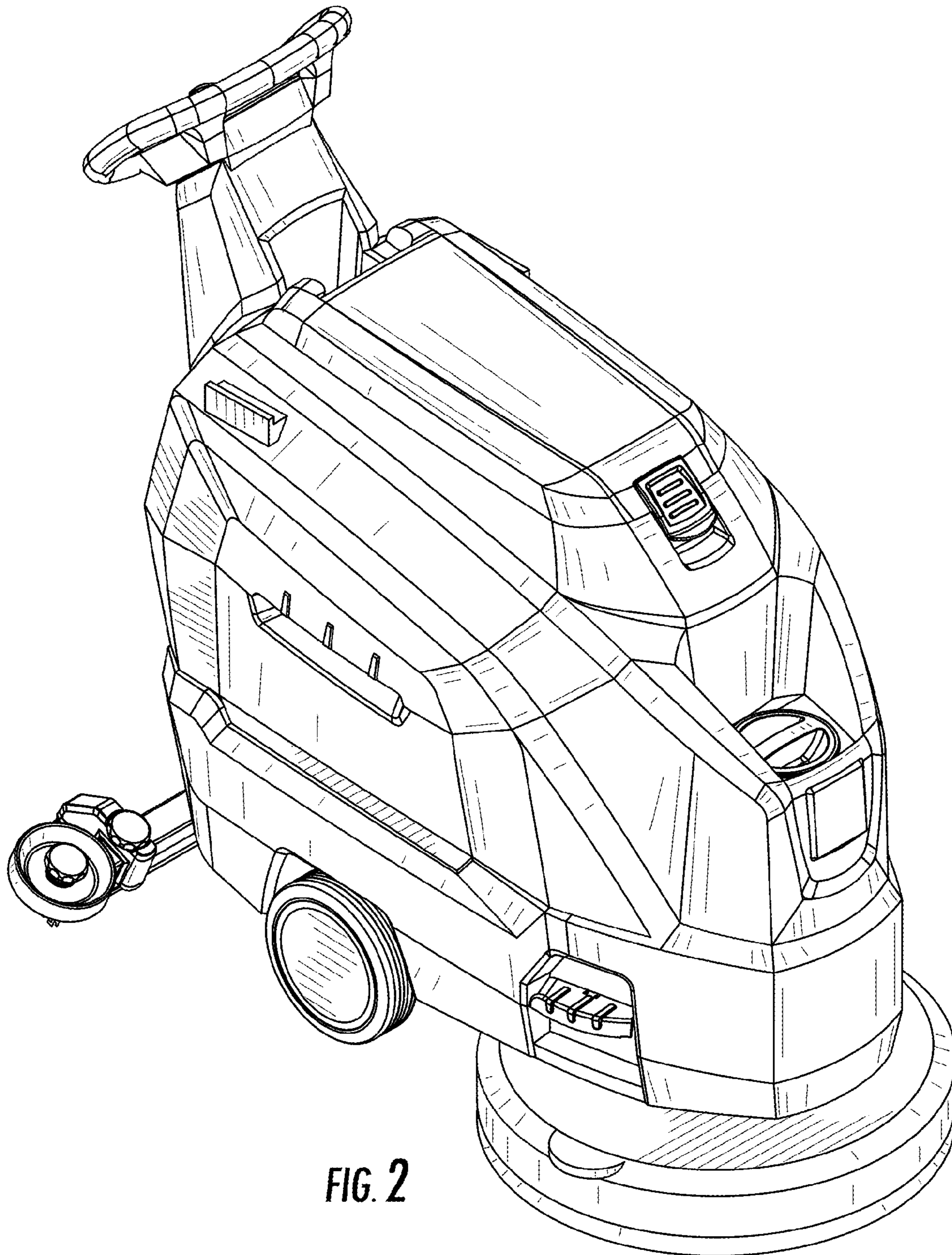
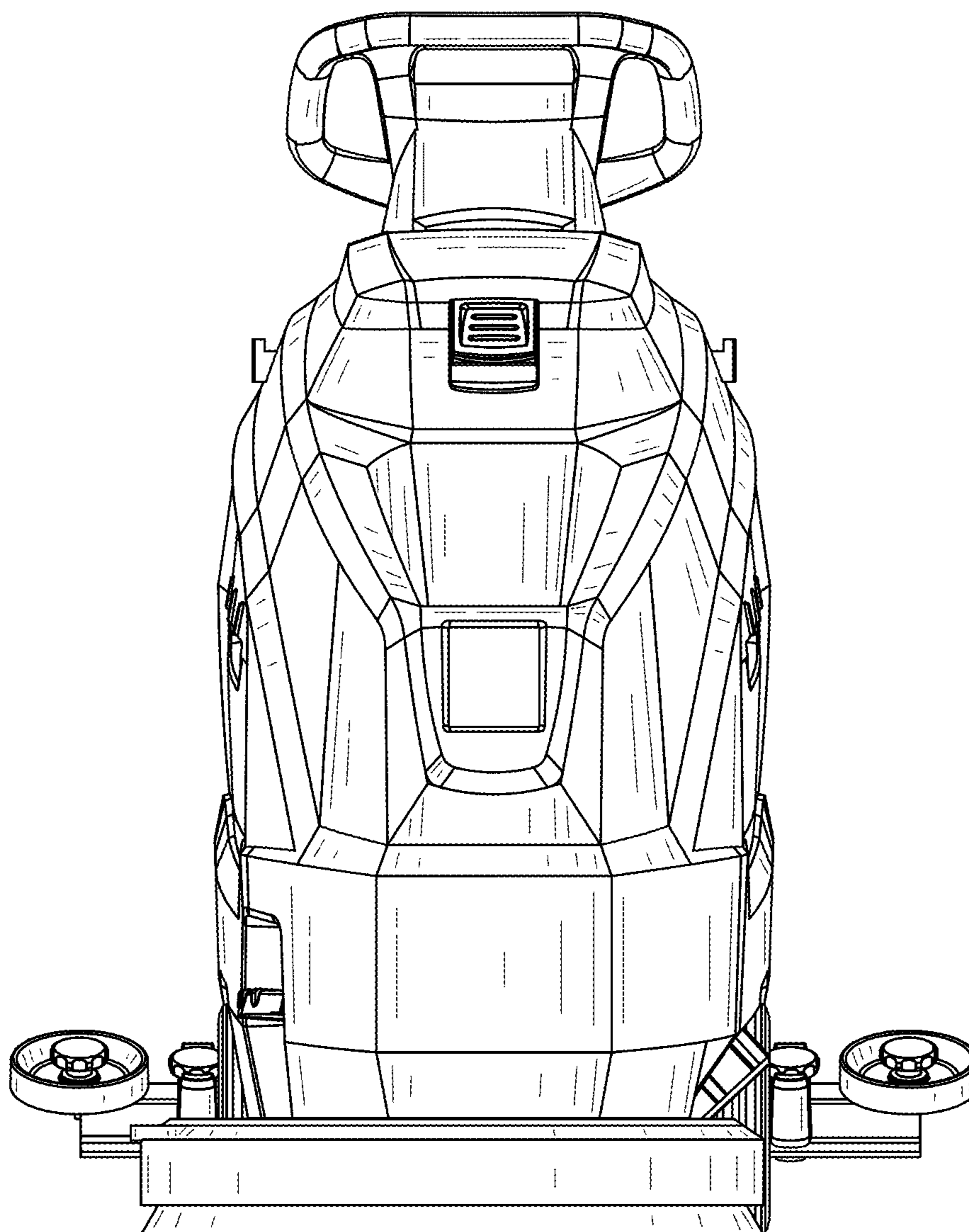


FIG. 1





**FIG. 3**

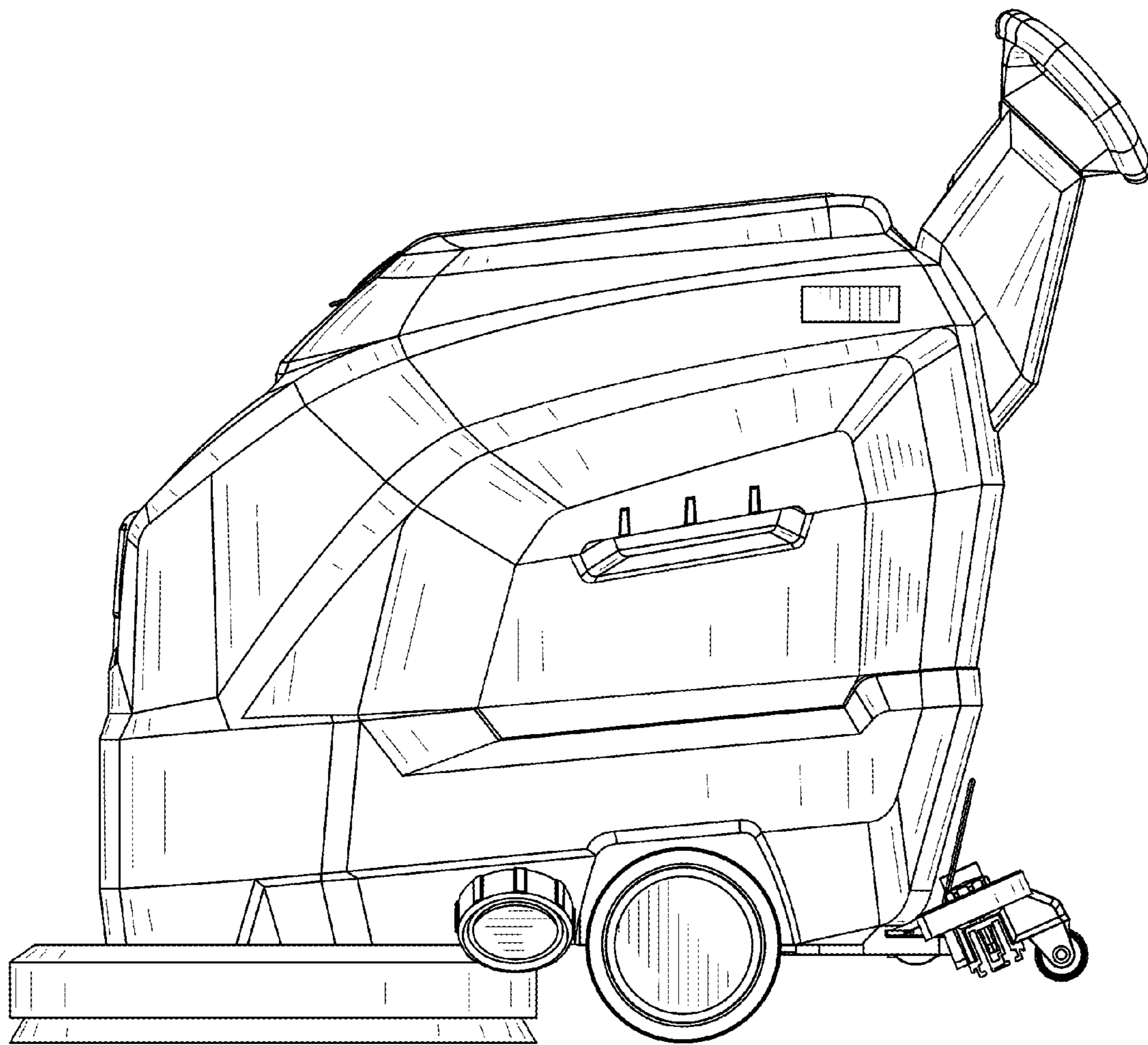
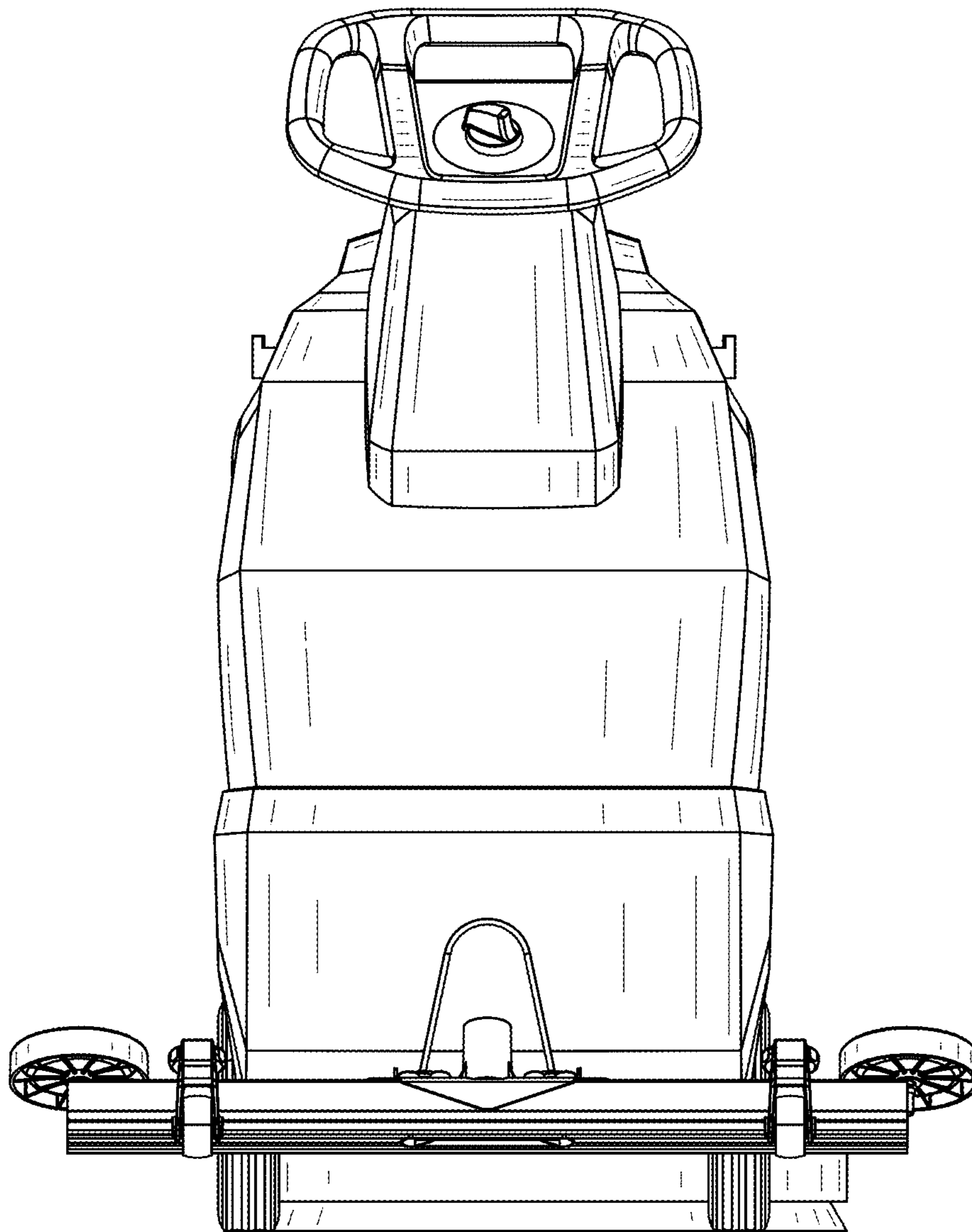


FIG. 4



**FIG. 5**

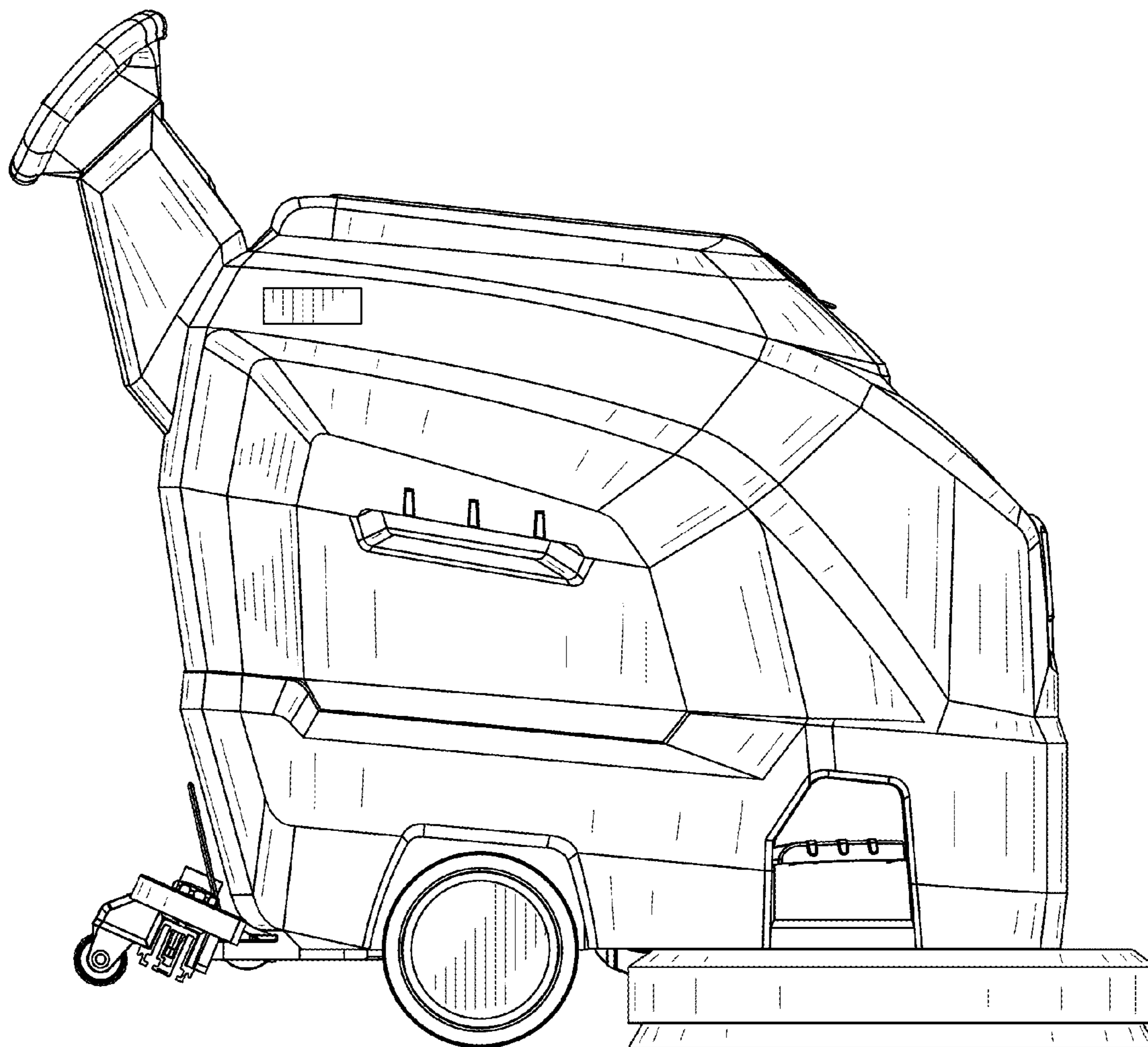


FIG. 6



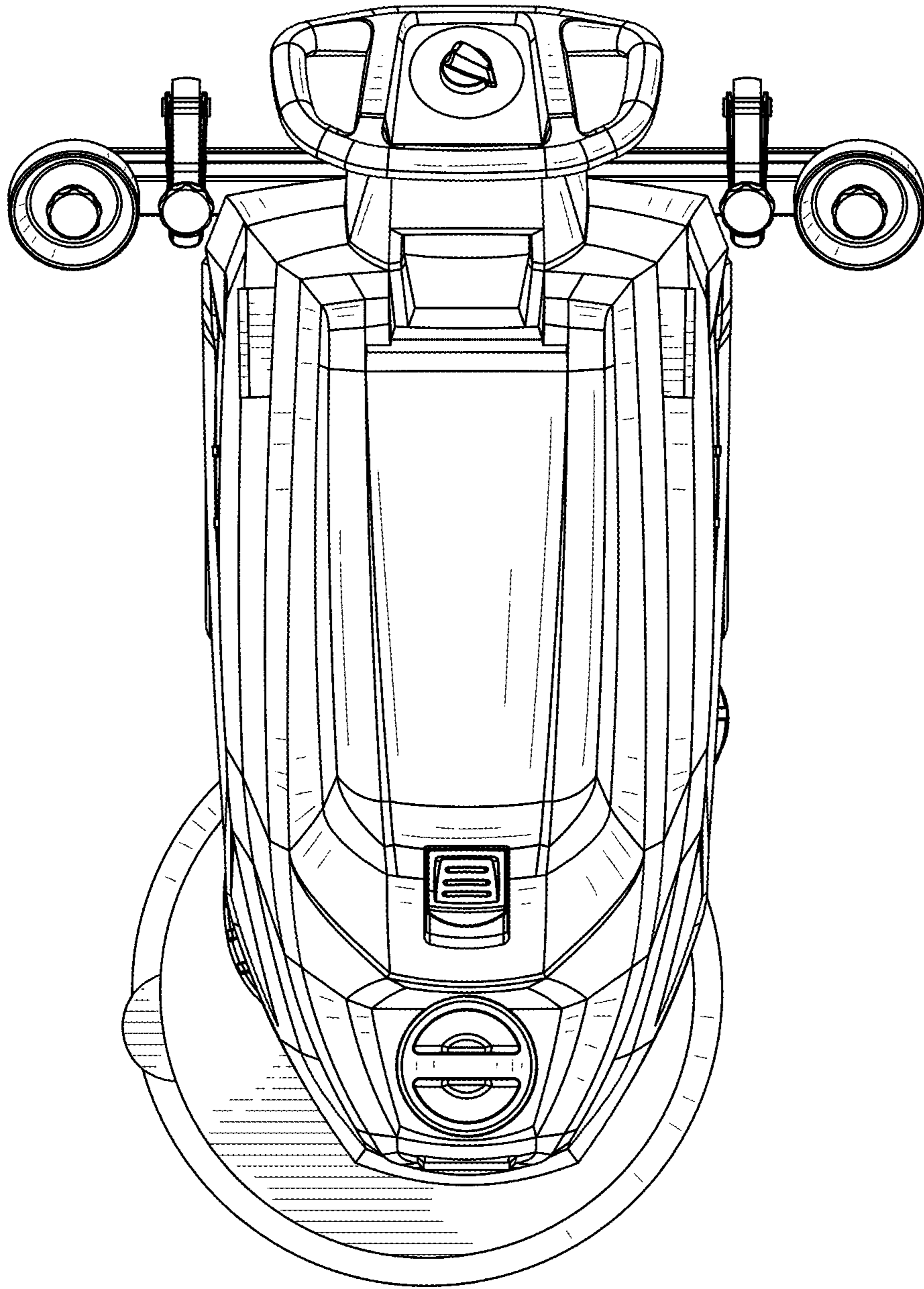


FIG. 7