



US00D734572S

(12) **United States Design Patent**
Choi et al.

(10) **Patent No.:** **US D734,572 S**
(45) **Date of Patent:** **** Jul. 14, 2015**

(54) **WASHING MACHINE**

(71) Applicant: **Samsung Electronics Co., Ltd.**,
Suwon-si, Gyeonggi-do (KR)

(72) Inventors: **Hyoung-Sub Choi**, Seoul (KR);
Jung-Hoon Hwang, Yongin-si (KR);
Ki-Sang Yoon, Daejeon (KR); **Jae-Won Choi**, Seoul (KR); **Tae-Hyoung Cho**,
Seoul (KR)

(73) Assignee: **SAMSUNG ELECTRONICS CO., LTD.** (KR)

(**) Term: **14 Years**

(21) Appl. No.: **29/469,309**

(22) Filed: **Oct. 9, 2013**

(30) **Foreign Application Priority Data**

Apr. 10, 2013 (KR) 30-2013-0018626

(51) **LOC (10) CL.** **15-05**

(52) **U.S. CL.**
USPC **D32/6**

(58) **Field of Classification Search**
USPC 312/228, 31; D32/28, 3, 5-6, 25;
68/3 R, 5 R, 12.01; 34/87-88, 523-524,
34/108, 595, 603
See application file for complete search history.

(56) **References Cited**

U.S. PATENT DOCUMENTS

D542,986 S *	5/2007	Crookshanks	D32/6
D550,907 S *	9/2007	Jeon et al.	D32/6
D556,956 S *	12/2007	Kim	D32/6
D561,957 S *	2/2008	Browne et al.	D32/6
D564,719 S *	3/2008	Eicher et al.	D32/28
D571,064 S *	6/2008	Eicher et al.	D32/28
D572,419 S *	7/2008	Park et al.	D32/6
D573,762 S *	7/2008	Eicher et al.	D32/28

D576,362 S *	9/2008	Park et al.	D32/6
D577,162 S *	9/2008	Shail et al.	D32/6
D577,470 S *	9/2008	Park et al.	D32/28
D577,471 S *	9/2008	Park et al.	D32/28
D582,106 S *	12/2008	Kim et al.	D32/6
D588,757 S *	3/2009	Park et al.	D32/6

(Continued)

FOREIGN PATENT DOCUMENTS

CN	300956627	*	7/2009
CN	302327065	*	2/2013

OTHER PUBLICATIONS

LG Debuts New Home Appliances with Latest Smart Features, Core Technologies at CES 2011, Announced Jan. 5, 2011, [Site Visited Feb. 25, 2015] http://www.lgnewsroom.com/ces2011/view.php?product_code=3&product_type=3&post_index=102.*

(Continued)

Primary Examiner — Eric Goodman
Assistant Examiner — Luqman McNeil
(74) *Attorney, Agent, or Firm* — Cantor Colburn LLP

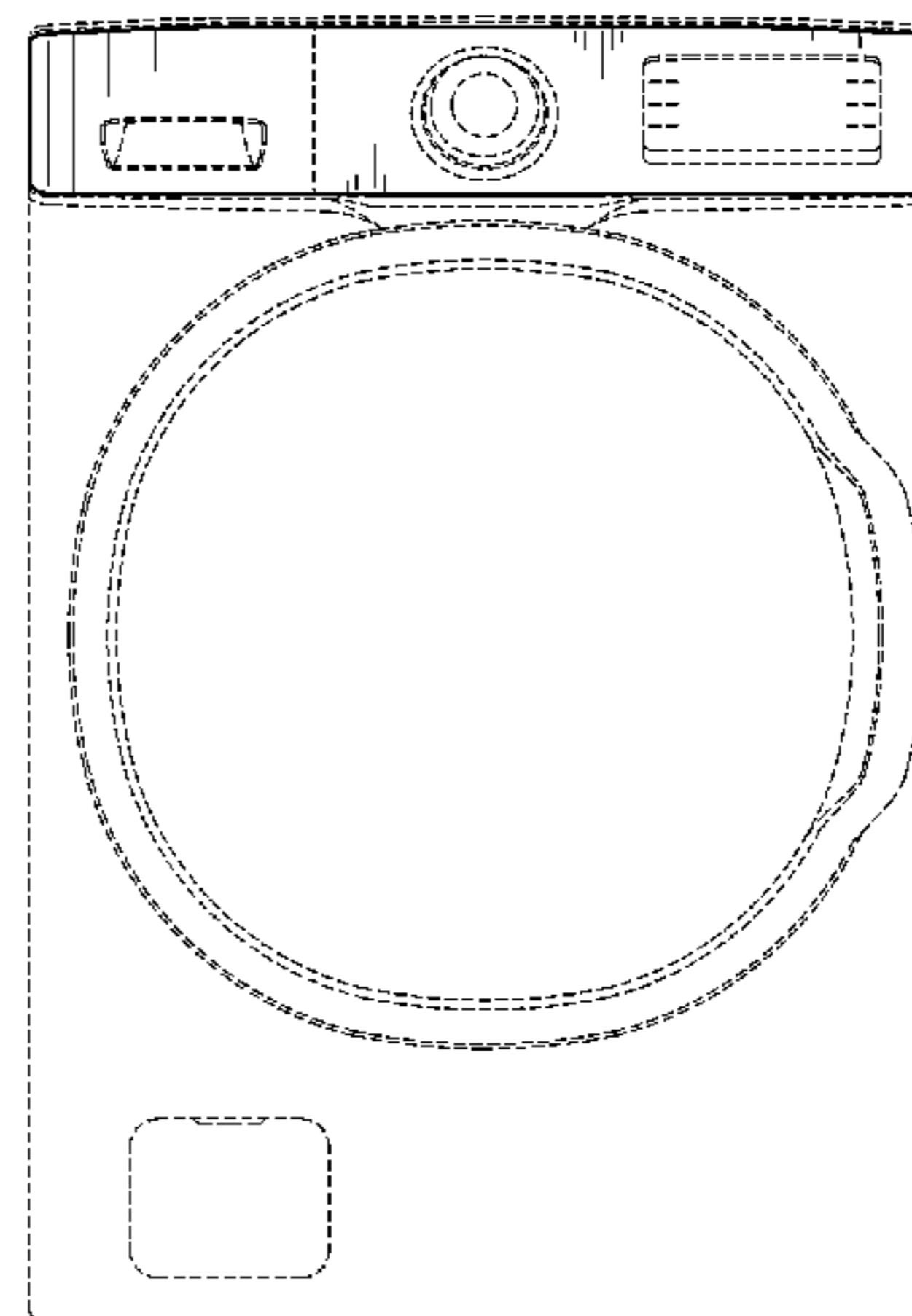
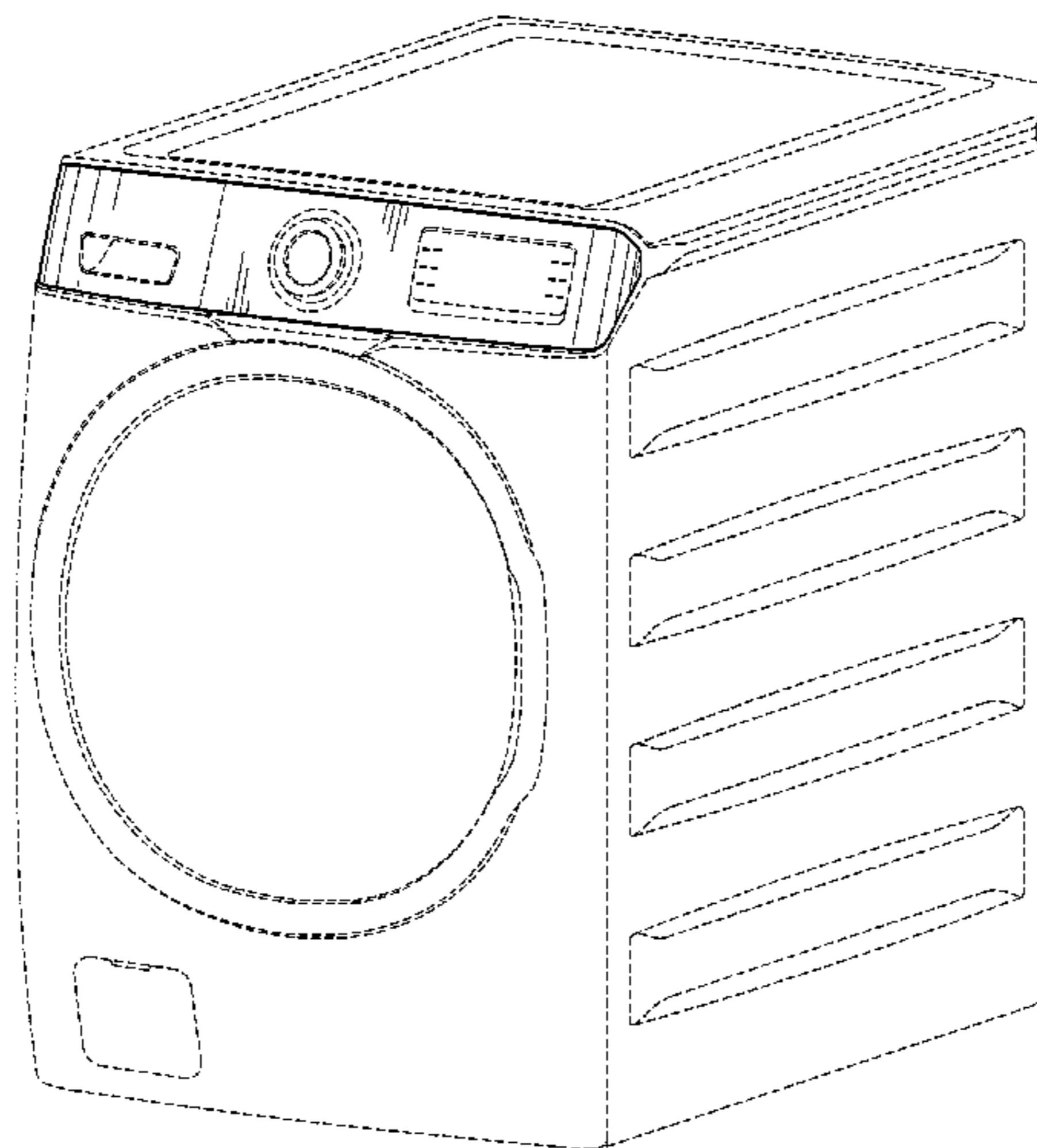
(57) **CLAIM**

We claim, the ornamental design for a washing machine, as shown and described.

DESCRIPTION

FIG. 1 is a perspective view of a washing machine, showing our new design in an exemplary embodiment; FIG. 2 is a front elevation view thereof; FIG. 3 is a rear elevation view thereof; FIG. 4 is a side elevation view thereof; FIG. 5 is a another side elevation view thereof; FIG. 6 is a top plan view thereof; and, FIG. 7 is a bottom plan view thereof. The broken lines illustrating portions of the washing machine are for environmental purposes only and form no part of the claimed design.

1 Claim, 6 Drawing Sheets



(56)

References Cited

U.S. PATENT DOCUMENTS

D589,215 S * 3/2009 Cho et al. D32/6
D613,010 S * 3/2010 Eicher et al. D32/28
D616,161 S * 5/2010 Tridello et al. D32/3
D618,866 S * 6/2010 Lee D32/6
D622,917 S * 8/2010 Lee D32/6
D625,889 S * 10/2010 Lee et al. D32/6
D625,890 S * 10/2010 Lee et al. D32/6
D627,114 S * 11/2010 Jeon et al. D32/6

D634,492 S * 3/2011 Chung et al. D32/6
D635,727 S * 4/2011 Jeon et al. D32/6
D663,908 S * 7/2012 Jeon et al. D32/6
2007/0052332 A1* 3/2007 Kim 312/228

OTHER PUBLICATIONS

Asko UltraCare Line Series Classic W6424T, Announced Feb. 1, 2001, [Site Visited Feb. 25, 2015] <http://www.ajmadison.com/cgi-bin/ajmadison/W6424T.html>.*

* cited by examiner

FIG. 1

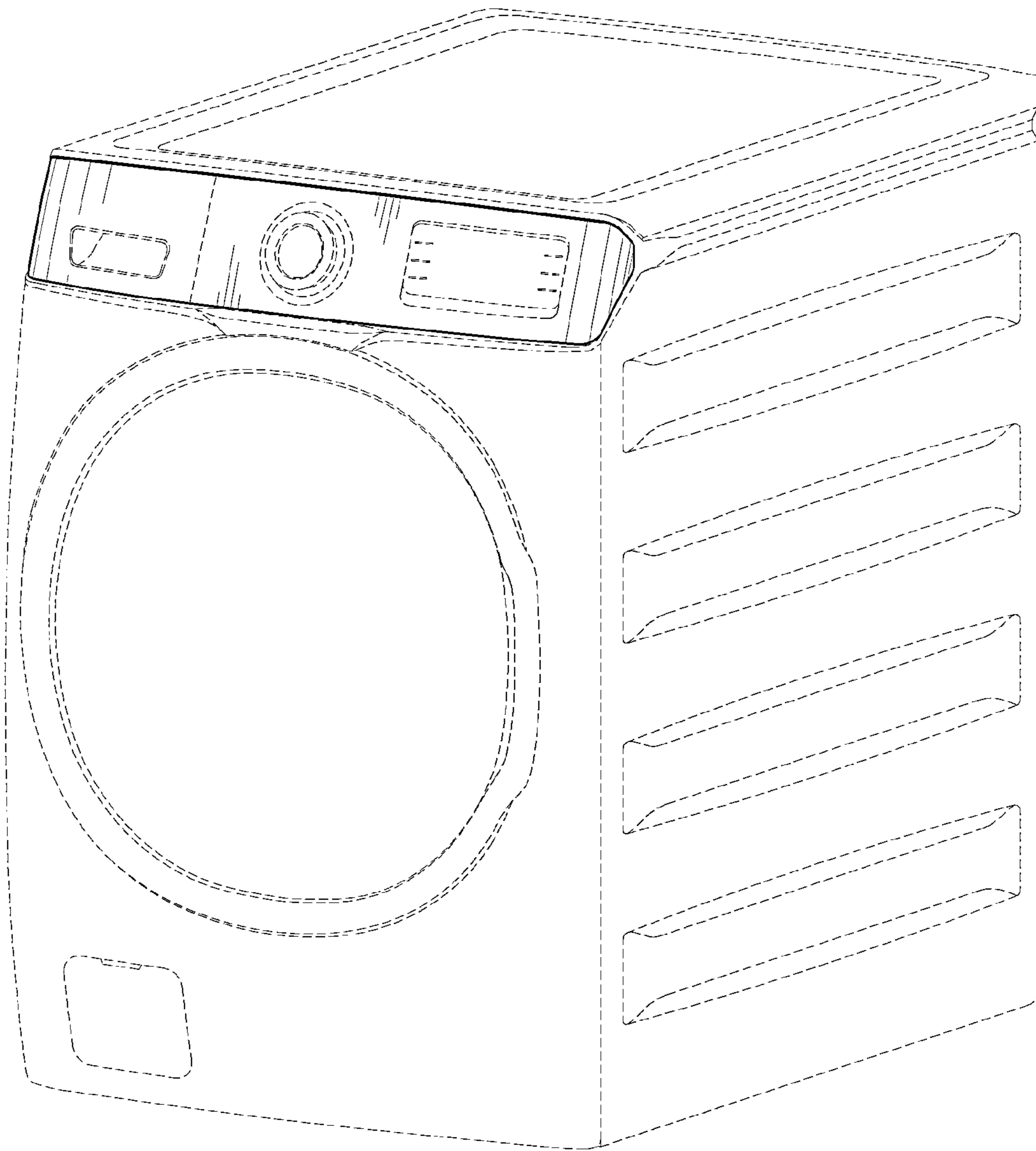


FIG. 2

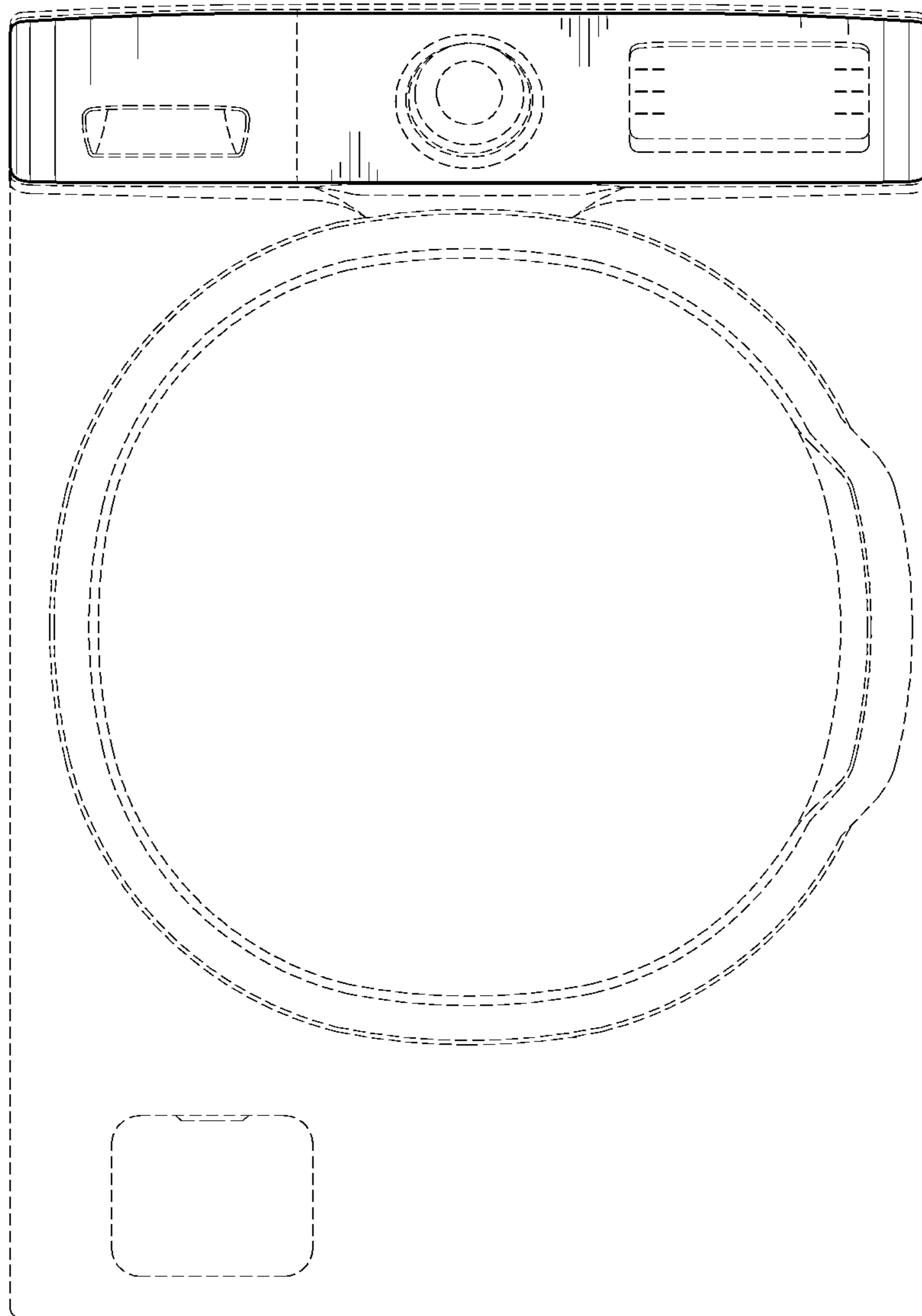


FIG. 3



FIG. 4

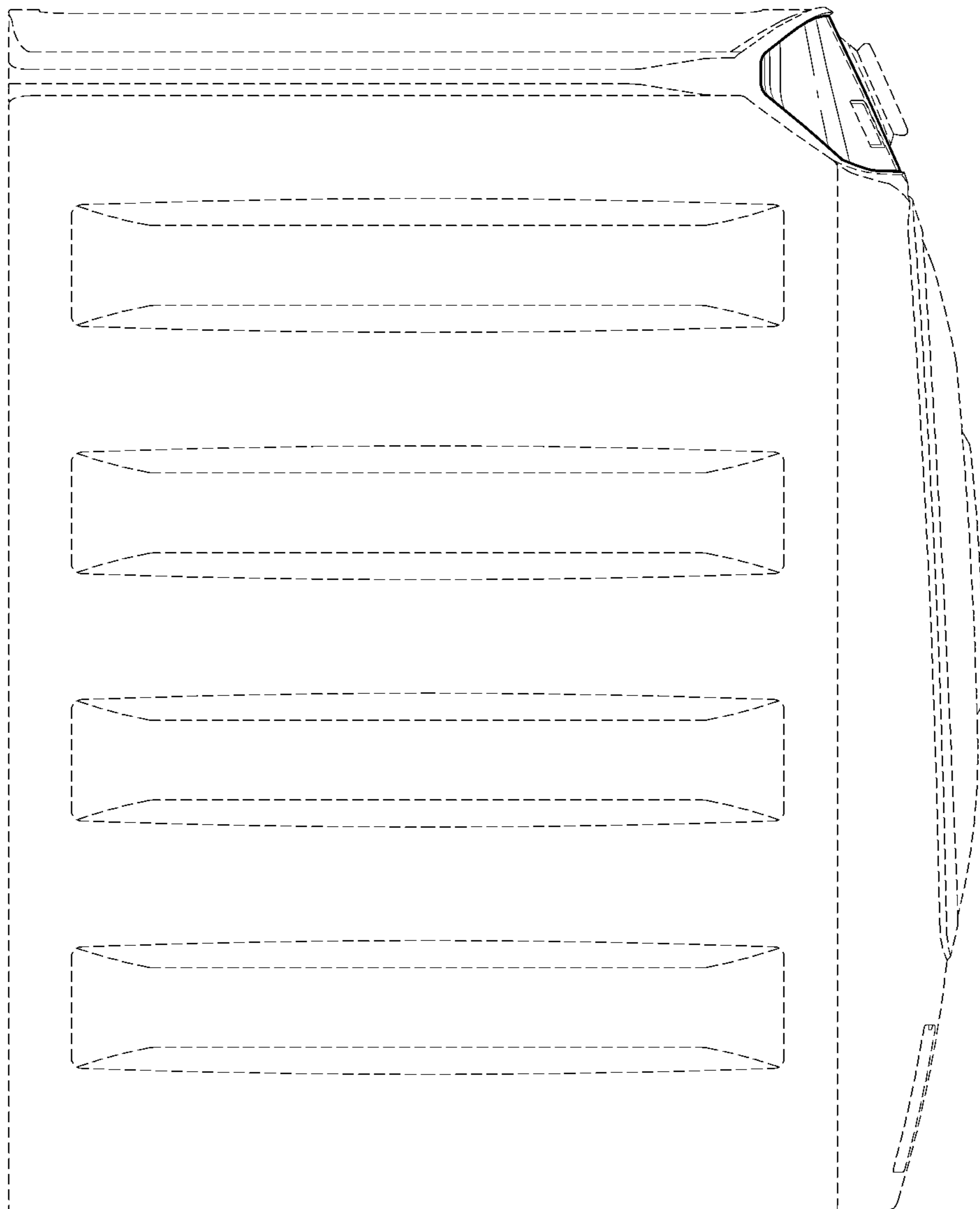


FIG. 5

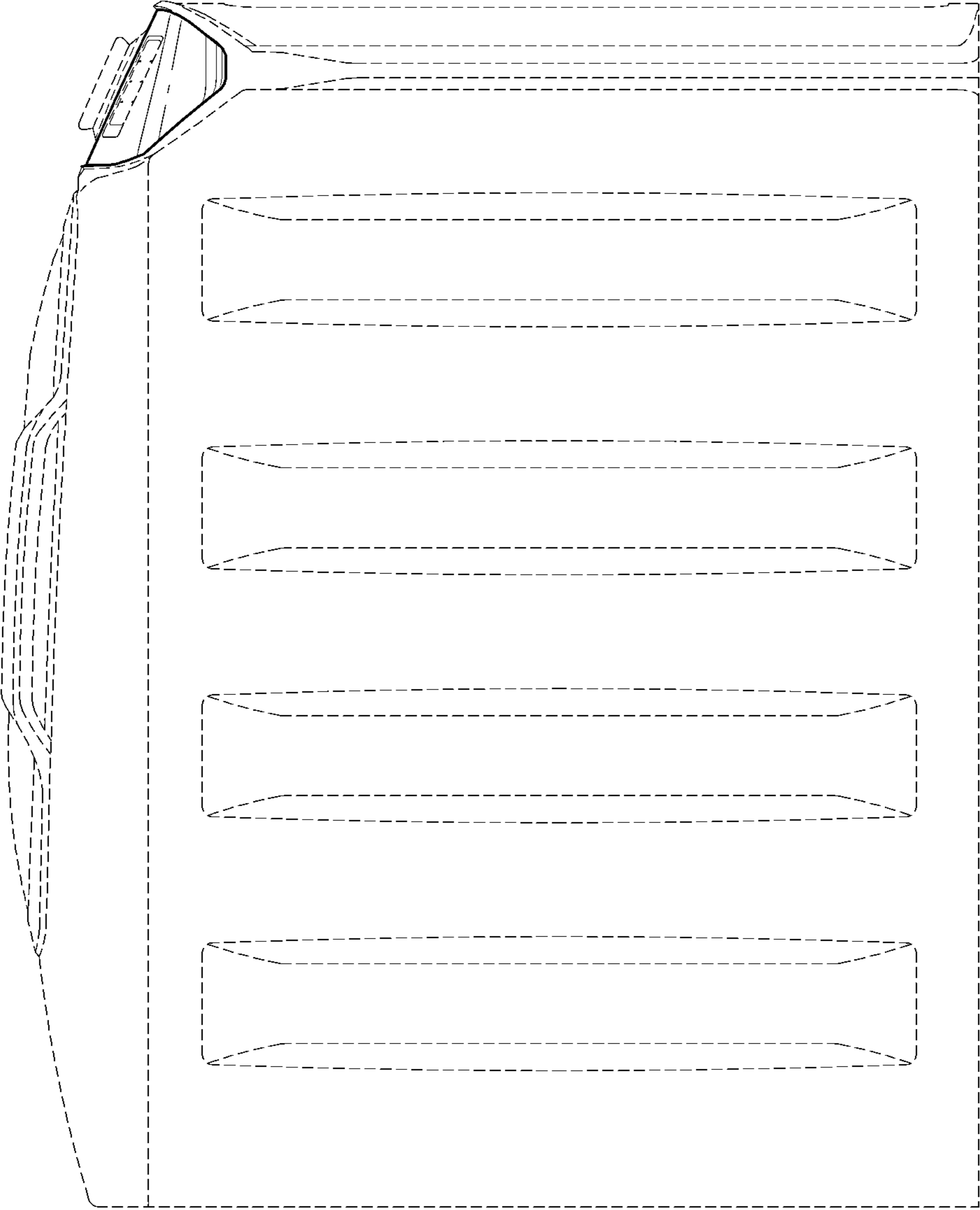


FIG. 6

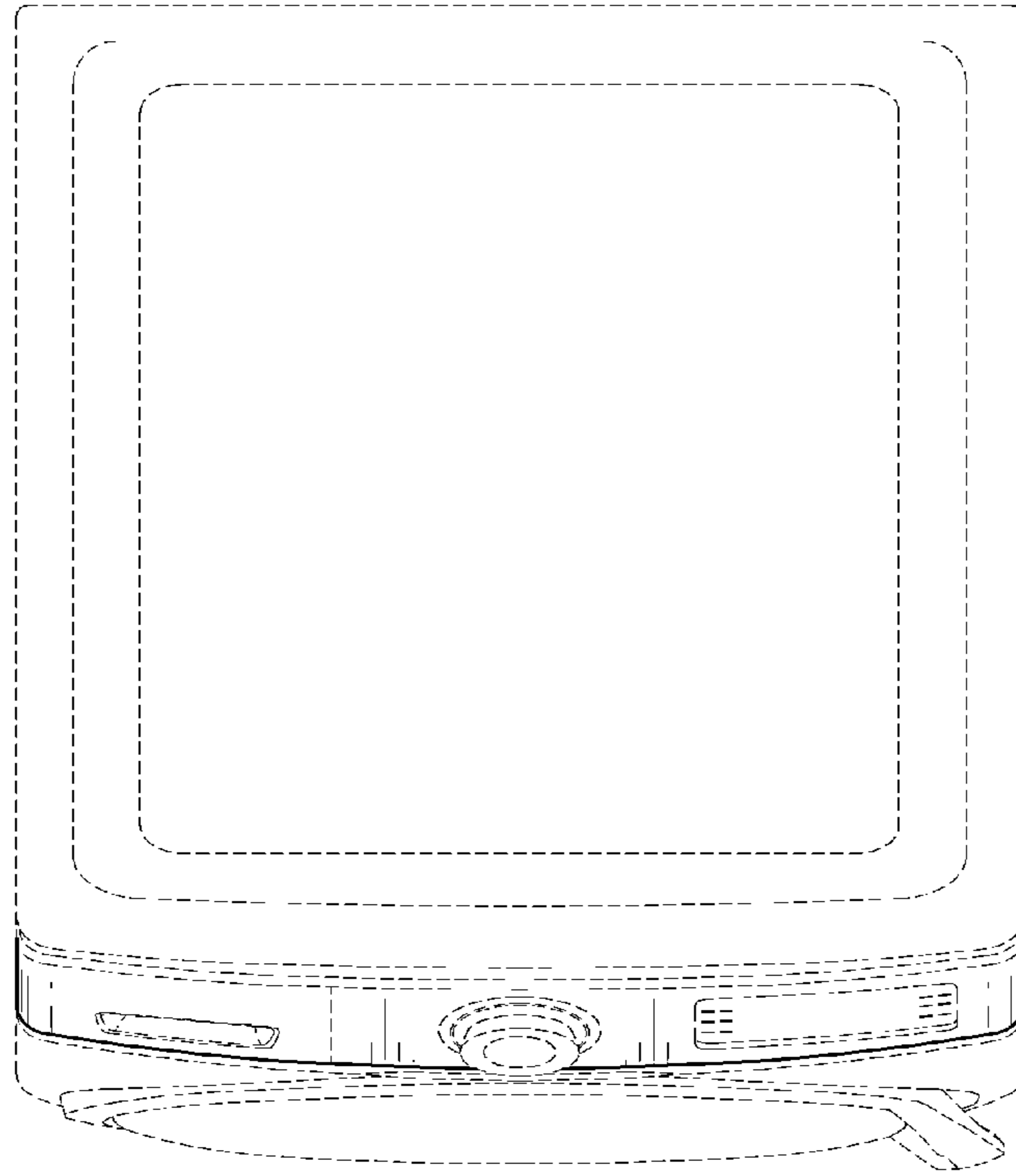


FIG. 7

