



US00D734571S

(12) **United States Design Patent**
Tschan

(10) **Patent No.:** **US D734,571 S**
(45) **Date of Patent:** **** Jul. 14, 2015**

(54) **PAINT SPRAY GUN CLEANING DEVICE**

FOREIGN PATENT DOCUMENTS

(71) Applicant: **SATA GmbH & Co. KG**, Kornwestheim (DE)

EM 002098962 9/2012
EM 002099036 9/2012

(Continued)

(72) Inventor: **Alexander Tschan**, Kornwestheim (DE)

OTHER PUBLICATIONS

(73) Assignee: **SATA GmbH & Co. KG**, Kornwestheim (DE)

Office Action dated Jan. 14, 2015 for U.S. Appl. No. 29/447,887.

(Continued)

(**) Term: **14 Years**

(21) Appl. No.: **29/490,620**

Primary Examiner — T. Chase Nelson

Assistant Examiner — Michelle E Wilson

(22) Filed: **May 12, 2014**

(74) *Attorney, Agent, or Firm* — Paul D. Bianco; Martin Fleit; Fleit Gibbons Gutman Bongini & Bianco PL

(30) **Foreign Application Priority Data**

Nov. 12, 2013 (EM) 002343459-0001

(51) **LOC (10) Cl.** **15-05**

(52) **U.S. Cl.**

USPC **D32/1**

(58) **Field of Classification Search**

USPC D32/1, 4, 16, 21, 30, 35; 134/102.1,
134/102.2, 102.3, 169 A, 188, 198, 200;
15/320–321, 353

See application file for complete search history.

(56) **References Cited**

U.S. PATENT DOCUMENTS

1,662,496 A	3/1928	Forsgard	
1,711,221 A	4/1929	Blakeslee	
2,198,441 A	4/1940	Mollart	
2,612,899 A	10/1952	Webb	
2,682,273 A *	6/1954	Roach	134/102.1
2,726,667 A *	12/1955	Wigmore	134/102.1
2,745,418 A *	5/1956	Balcom et al.	134/102.1
2,786,000 A *	3/1957	Roach	134/21
2,948,285 A *	8/1960	Poe et al.	134/102.1
3,159,472 A	12/1964	Revell	
D200,594 S	3/1965	Sass	
D204,306 S	4/1966	Hamm	

(Continued)

(57) **CLAIM**

The ornamental design for a paint spray gun cleaning device, as shown and described.

DESCRIPTION

FIG. 1 is a front perspective view of a paint spray gun cleaning device according to the present invention;

FIG. 2 is a front view of the paint spray gun cleaning device of FIG. 1;

FIG. 3 is a rear view of the paint spray gun cleaning device of FIG. 1;

FIG. 4 is a first side view of the paint spray gun cleaning device of FIG. 1;

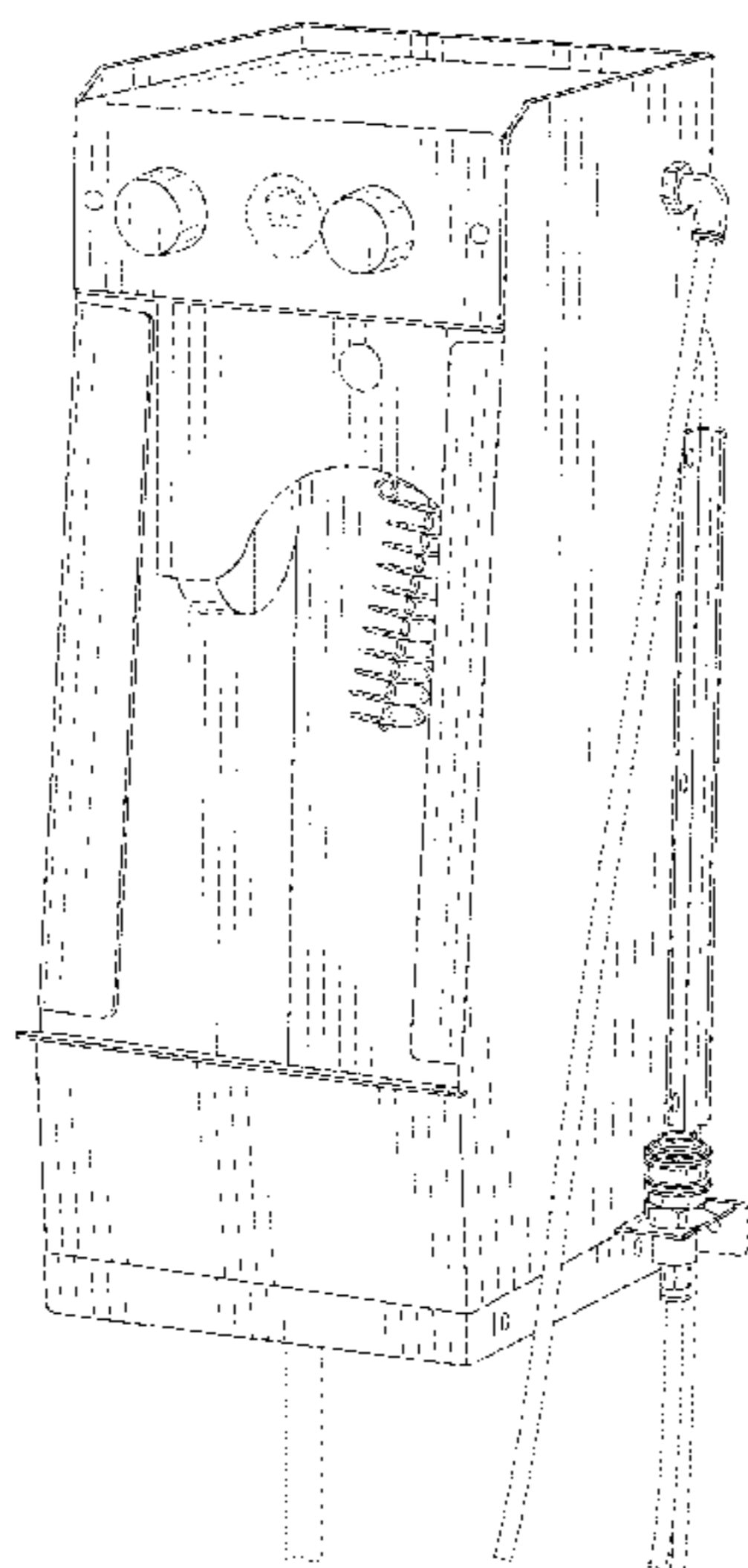
FIG. 5 is a second side view of the paint spray gun cleaning device of FIG. 1;

FIG. 6 is a top view of the paint spray gun cleaning device of FIG. 1; and,

FIG. 7 is a bottom view of the paint spray gun cleaning device of FIG. 1.

The broken line showing portions of a paint spray gun cleaning device illustrates the environment of the claimed design and forms no part thereof.

1 Claim, 6 Drawing Sheets



(56)

References Cited

U.S. PATENT DOCUMENTS

D205,760 S 9/1966 Hocutt et al.
 D208,903 S * 10/1967 Zadron D32/4
 D217,928 S 6/1970 Felske
 3,601,135 A * 8/1971 Marlow et al. 134/102.3
 3,656,493 A 4/1972 Black et al.
 3,771,539 A * 11/1973 De Santis 134/111
 4,025,363 A * 5/1977 De Santis 134/102.2
 D276,472 S 11/1984 Harrison
 D293,950 S 1/1988 Ogden et al.
 D298,372 S * 11/1988 Taylor, Jr. D32/1
 4,785,836 A * 11/1988 Yamamoto 134/56 R
 4,793,369 A * 12/1988 Robb et al. 134/170
 4,826,539 A 5/1989 Harpold
 4,899,769 A * 2/1990 Tsai 134/111
 5,143,102 A * 9/1992 Blaul 134/58 R
 5,183,066 A * 2/1993 Hethcoat 134/54
 5,213,117 A * 5/1993 Yamamoto 134/58 R
 5,232,299 A 8/1993 Hiss
 5,388,601 A * 2/1995 Mansur 134/56 R
 5,584,899 A * 12/1996 Shorts 55/323
 5,704,381 A * 1/1998 Millan et al. 134/102.2
 D402,820 S 12/1998 Morison et al.
 5,853,014 A 12/1998 Rosenauer

5,937,875 A * 8/1999 Nygren 134/22.11
 6,554,009 B1 * 4/2003 Beijbom et al. 134/95.3
 6,647,997 B2 * 11/2003 Mohn 134/56 R
 6,732,751 B2 5/2004 Chiang
 6,955,180 B2 10/2005 Kocherlakota et al.
 D538,493 S 3/2007 Zimmerle et al.
 D581,107 S * 11/2008 Schmon D32/1
 8,454,759 B2 6/2013 Selsvik
 8,925,836 B2 * 1/2015 Dettlaff et al. 239/302
 2003/0127046 A1 * 7/2003 Zehner et al. 118/302

FOREIGN PATENT DOCUMENTS

EM 002099069 9/2012
 EM 002099085 9/2012

OTHER PUBLICATIONS

herkules Paint Gun Washers brochure published date Jan. 2012, [online], [site visited Jan. 7, 2015], <http://www.herkules.us/pdfs/L0076-1-Herkules-Gun_Washers-4-page-brochure.pdf>.
 Jetclean Gun Cleaner Terry's Auto Supply, google publish date Aug. 4, 2011, [online], [site visited Jan. 7, 2015], <<http://secure.terrys.net/viewProduct.php?productID=Ft.FHAZ1005>>.

* cited by examiner

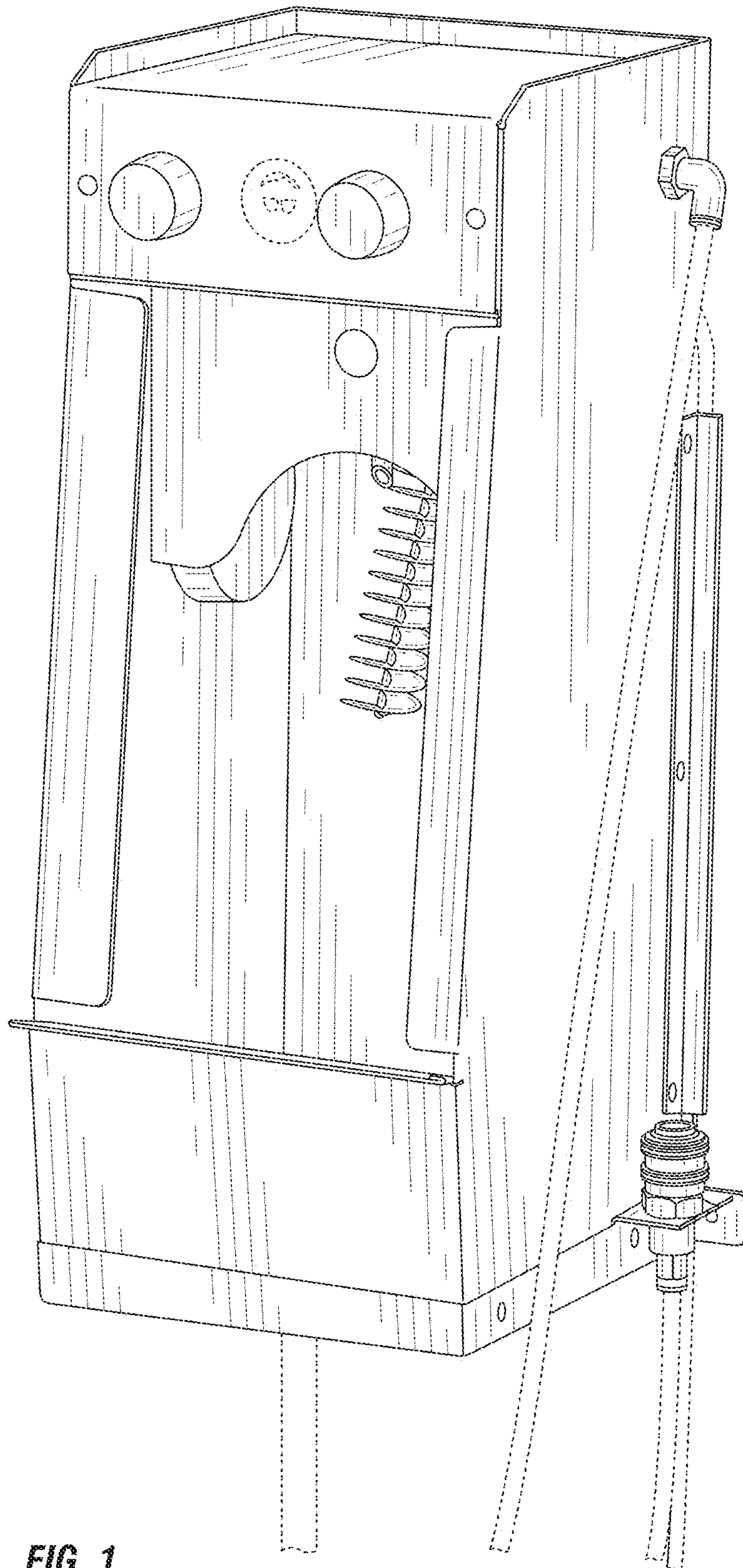


FIG. 1

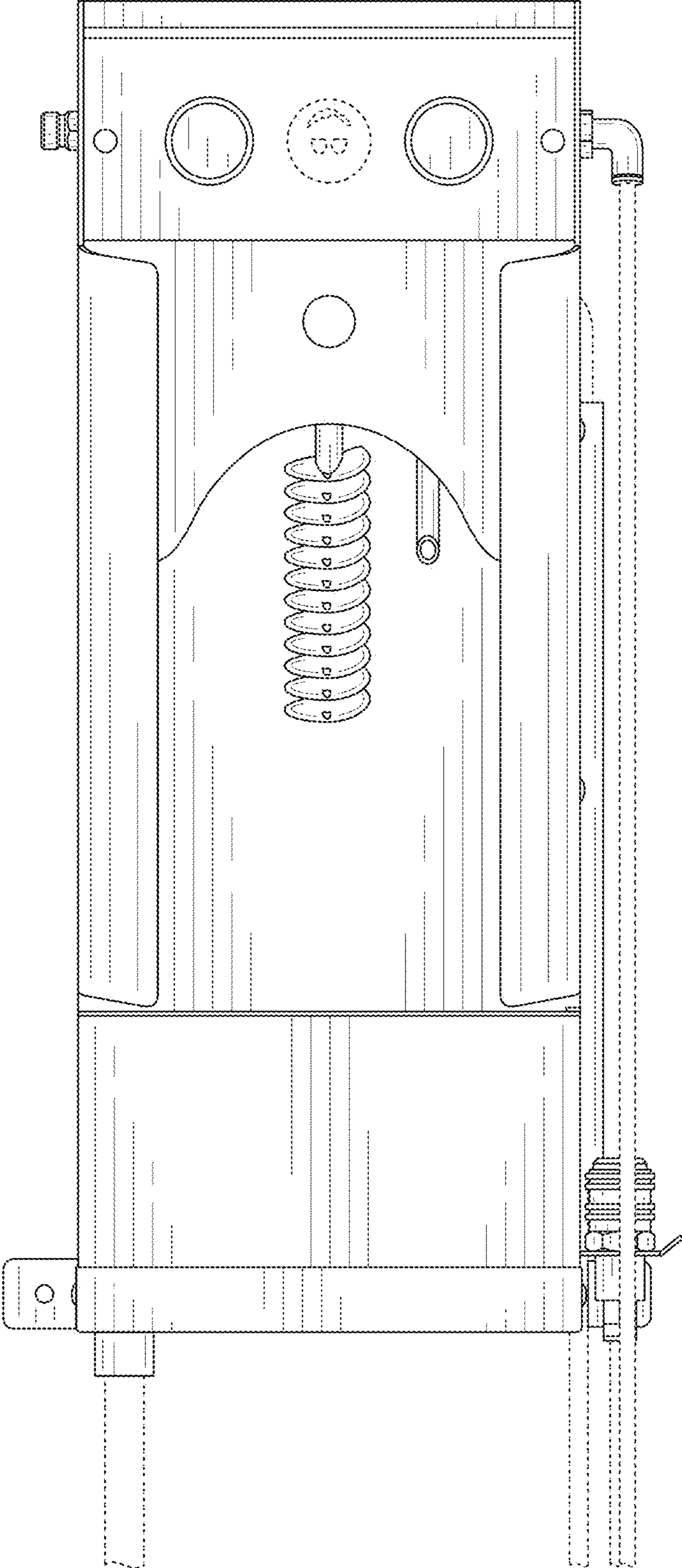


FIG. 2

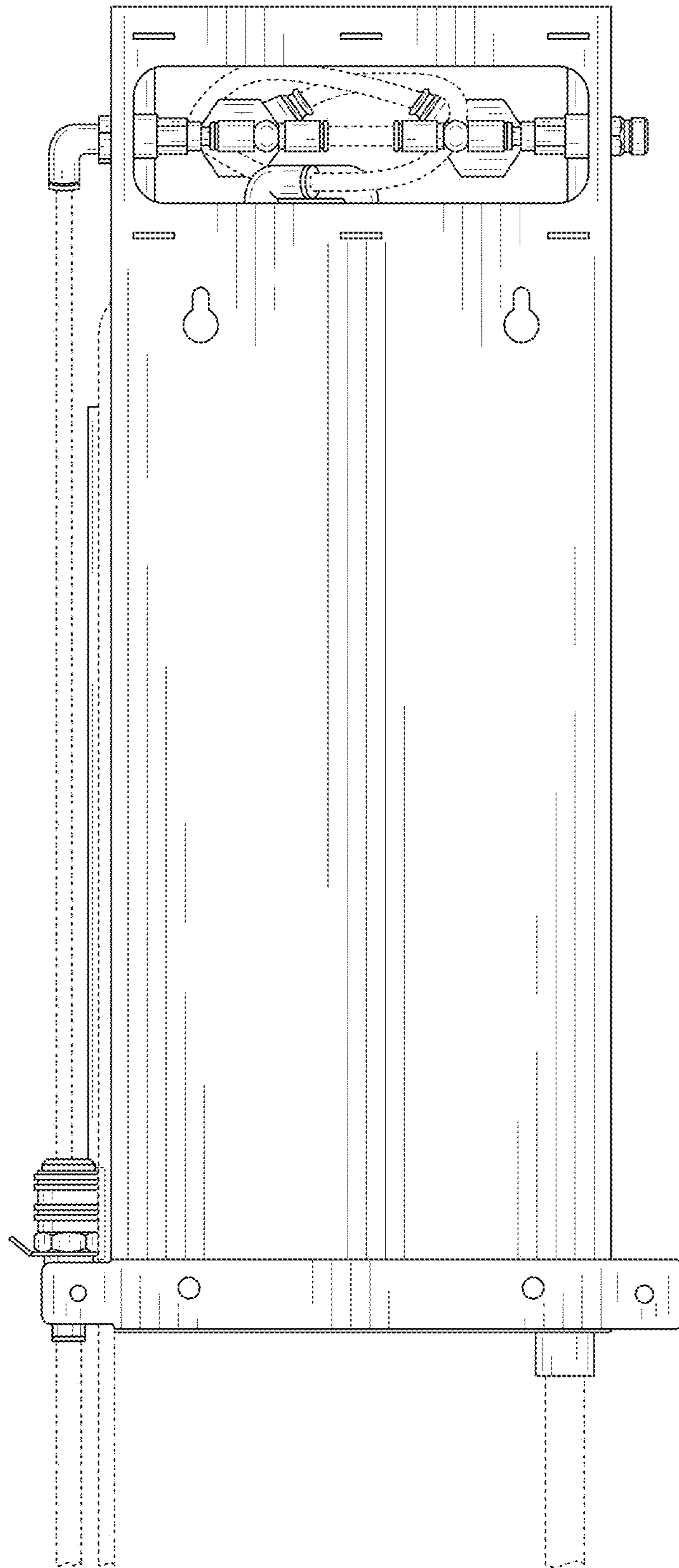


FIG. 3

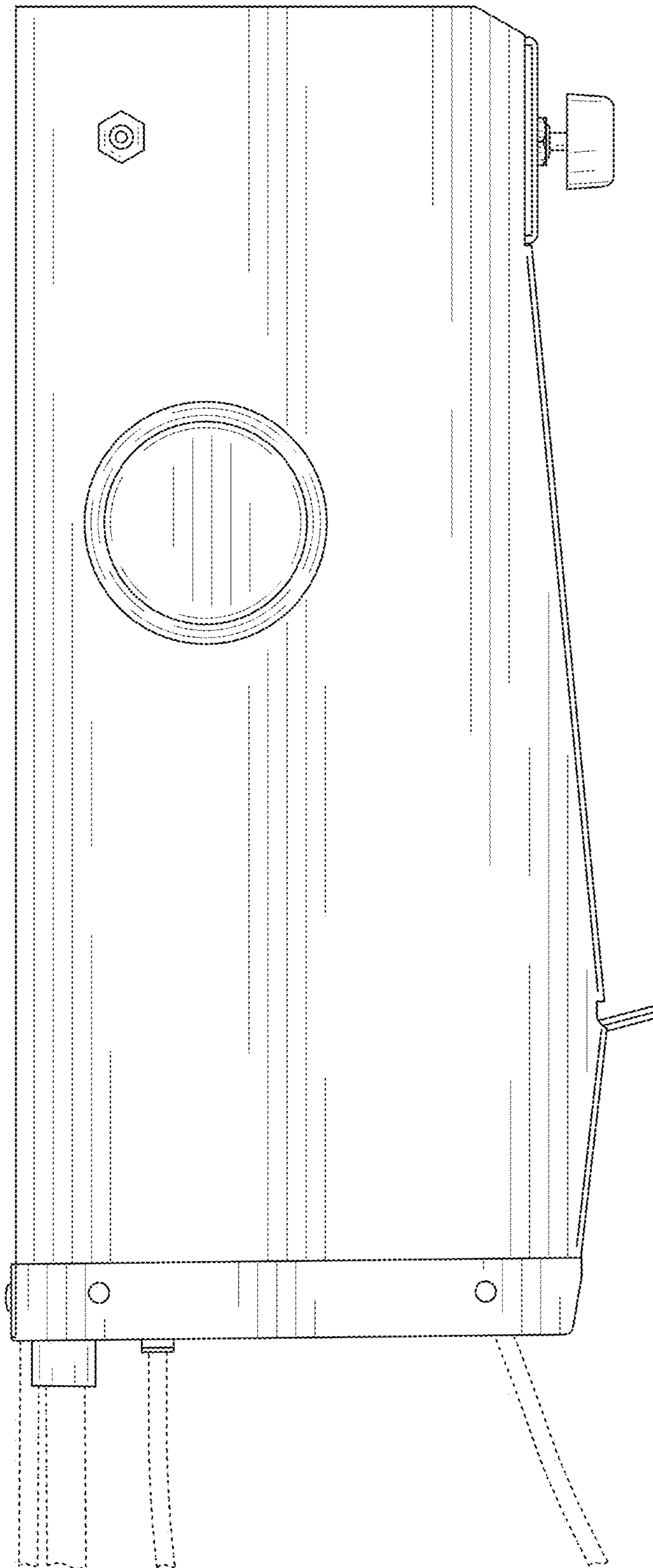


FIG. 4

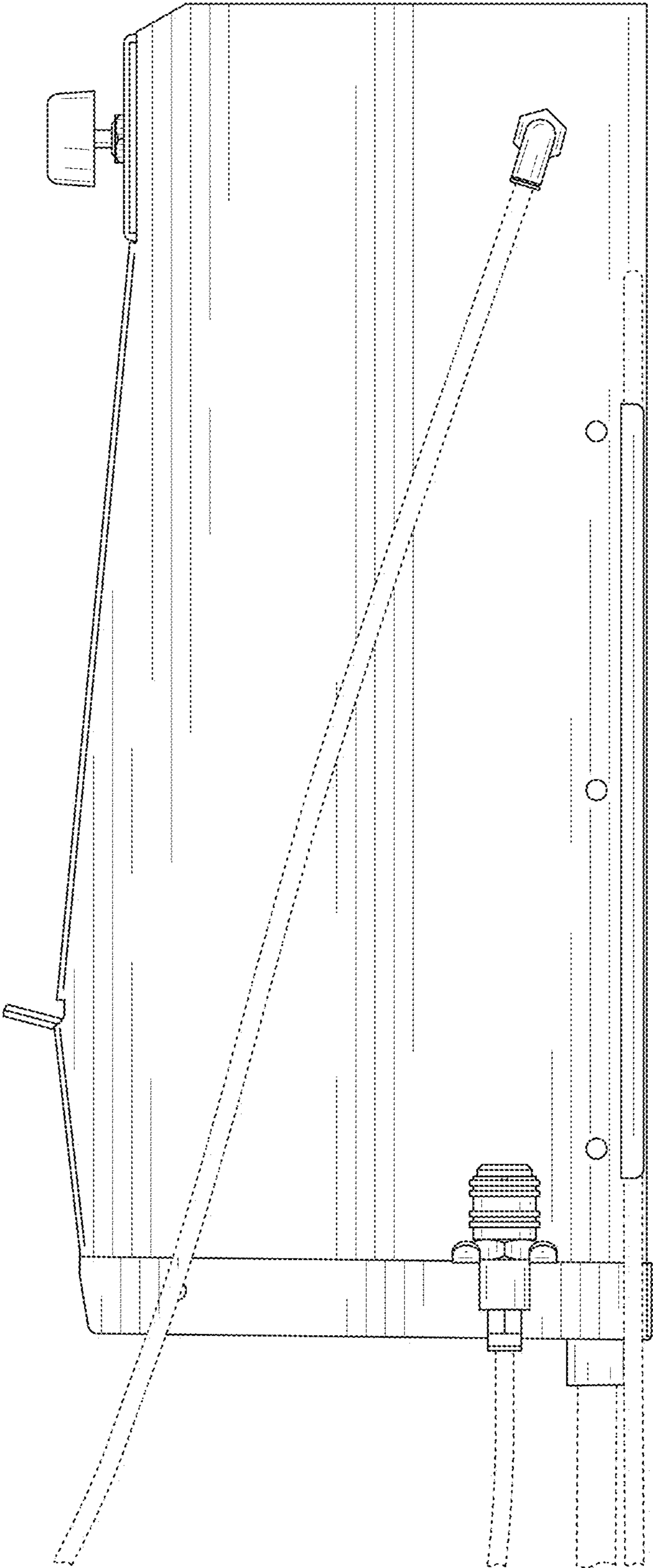


FIG. 5

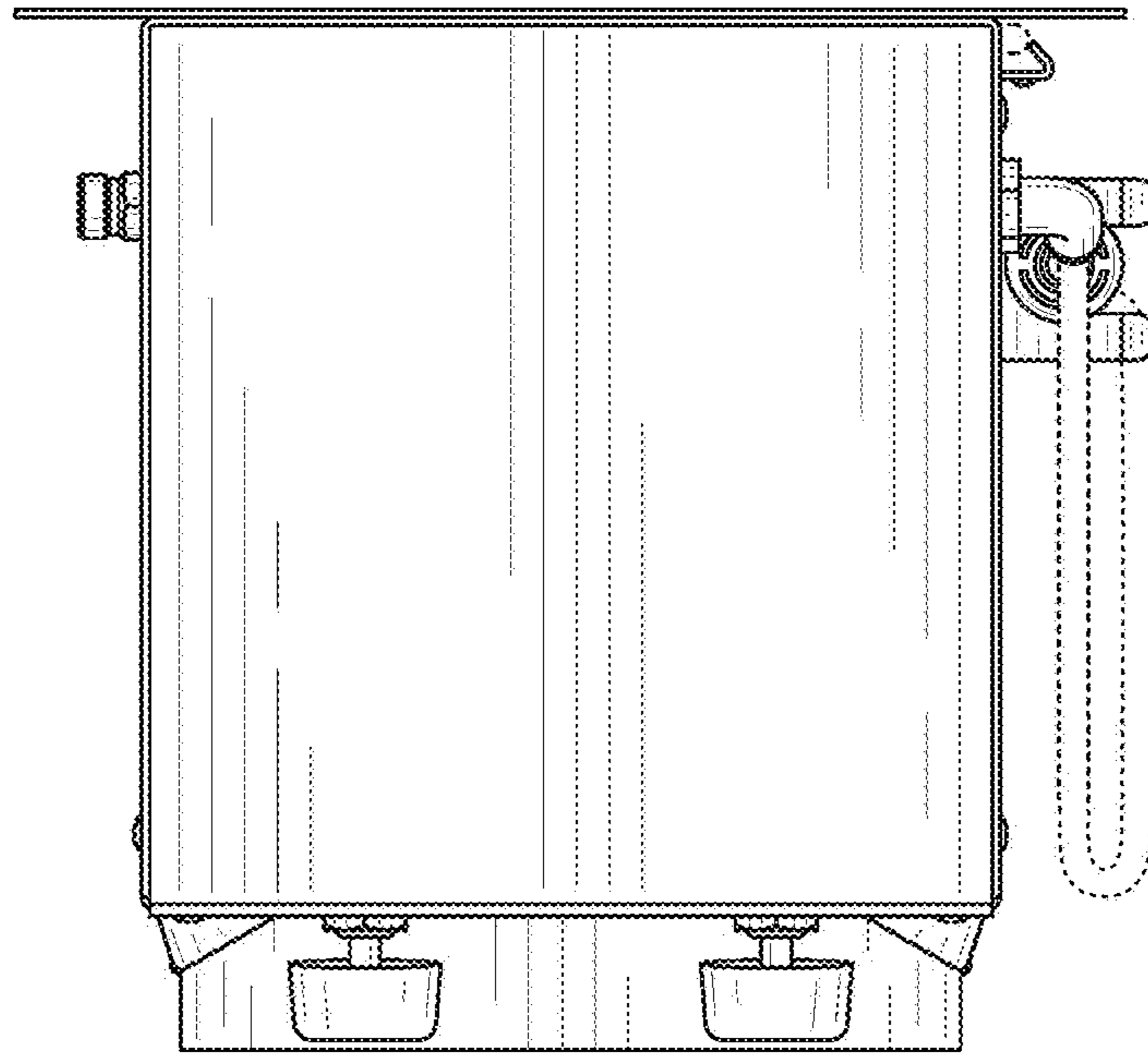


FIG. 6

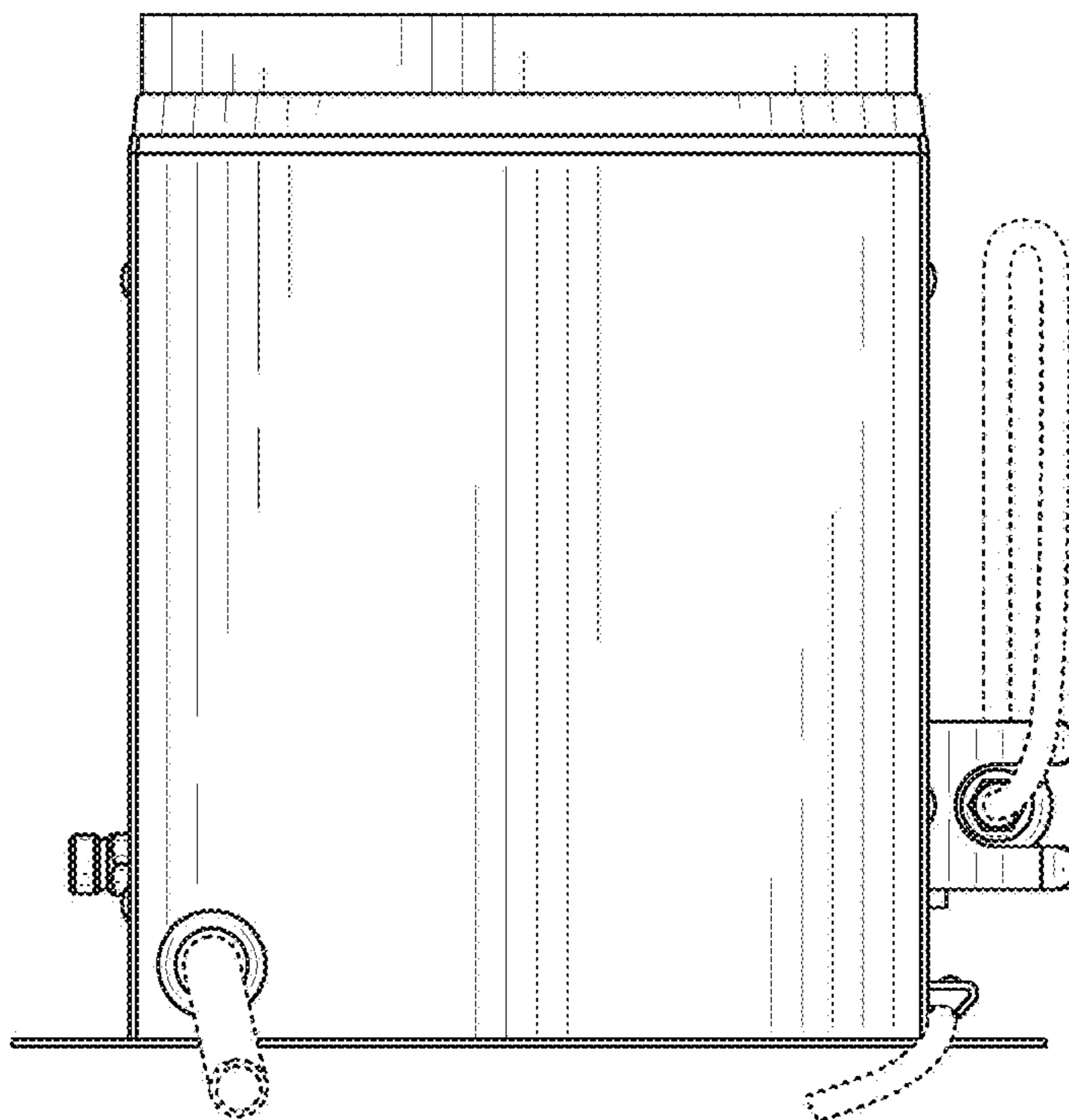


FIG. 7