



US00D734570S

(12) **United States Design Patent**
Hawk

(10) **Patent No.:** **US D734,570 S**

(45) **Date of Patent:** **** Jul. 14, 2015**

(54) **PET RAMP**

(71) Applicant: **Gen 7, Inc.**, Elverson, PA (US)

(72) Inventor: **T. Daniel Hawk**, Birdsboro, PA (US)

(73) Assignee: **Gen 7, Inc.**, Elverson, PA (US)

(**) Term: **14 Years**

(21) Appl. No.: **29/463,133**

(22) Filed: **Aug. 9, 2013**

(51) **LOC (10) Cl.** **30-99**

(52) **U.S. Cl.**
USPC **D30/199**

(58) **Field of Classification Search**
USPC D30/119, 199; D34/32; 119/847, 849;
14/69.5; 414/537; 296/61
CPC A01K 1/02; A01K 1/035; A01K 1/0272;
A01K 29/00; E04F 11/00; E04F 11/002;
E04F 2011/005; E04F 2011/007; E04G 27/00;
B65G 69/28; B65G 69/30
See application file for complete search history.

(56) **References Cited**

U.S. PATENT DOCUMENTS

5,096,362	A *	3/1992	Best	414/537
D382,676	S *	8/1997	Holbrook	D30/119
D401,731	S *	11/1998	Jeruss	D34/32
D412,224	S *	7/1999	Adler	D30/119
D420,175	S *	2/2000	Garrels, Jr.	D30/119
6,267,082	B1 *	7/2001	Naragon et al.	119/849
6,484,343	B1 *	11/2002	Phillips	14/69.5
6,715,177	B1 *	4/2004	Lagergren-Julander	14/69.5
7,082,637	B1 *	8/2006	Griffin	14/69.5

7,523,516	B1 *	4/2009	Waddell et al.	14/69.5
D595,920	S *	7/2009	Lederhause et al.	D34/32
D599,062	S	8/2009	Jakubowski et al.	
2003/0213072	A1 *	11/2003	Myrick et al.	14/69.5
2004/0143915	A1 *	7/2004	Schomaker et al.	14/69.5
2006/0200919	A1 *	9/2006	Frahm et al.	14/69.5
2007/0234491	A1 *	10/2007	Bailie	14/69.5
2008/0105215	A1 *	5/2008	Simpson et al.	119/849

* cited by examiner

Primary Examiner — Martie K Holtje

(74) *Attorney, Agent, or Firm* — Stephen G. Stanton

(57) **CLAIM**

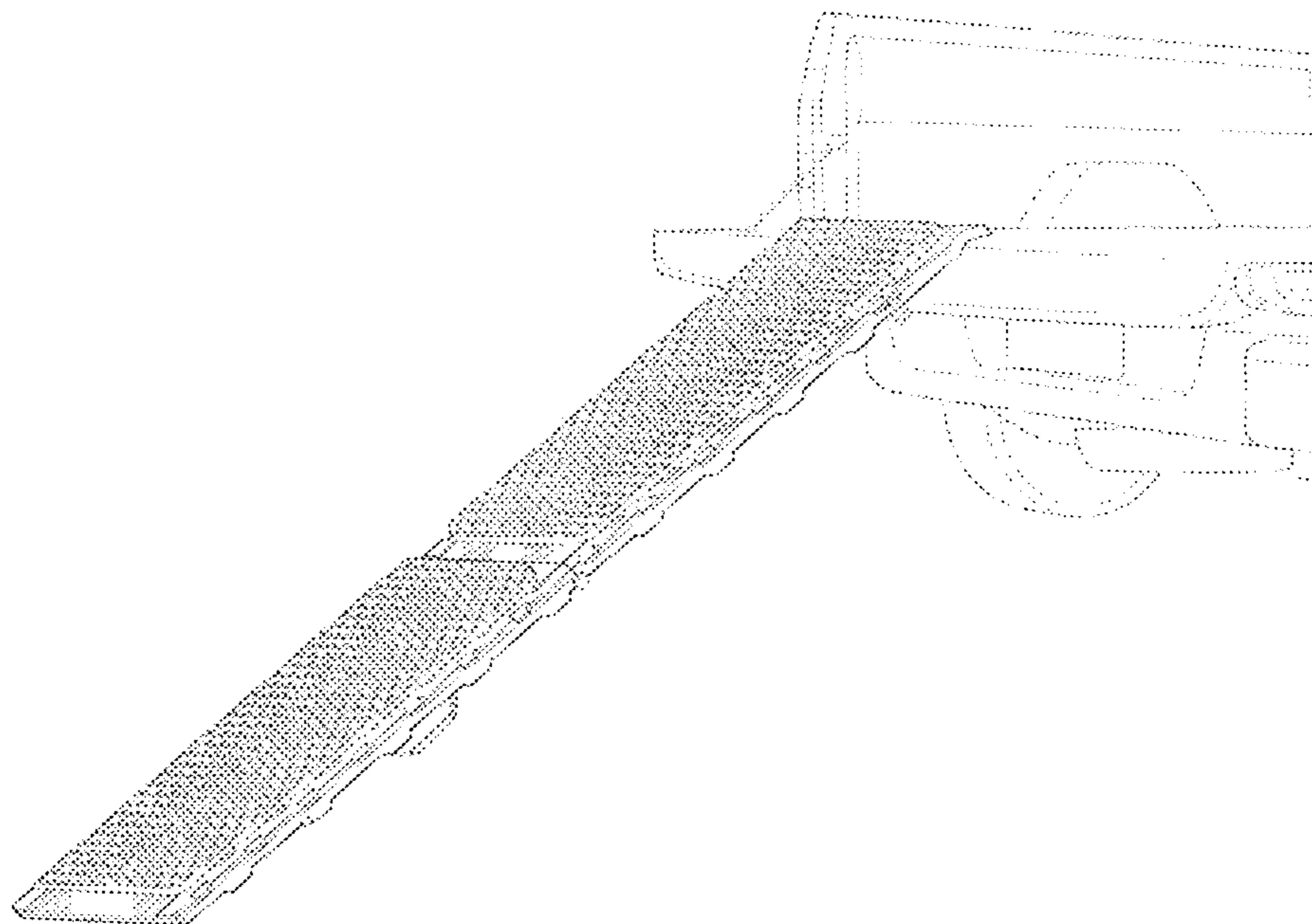
The ornamental design for a pet ramp, as shown and described.

DESCRIPTION

FIG. 1 is a perspective view of a pet ramp showing my new design;
 FIG. 2 is a top plan view thereof;
 FIG. 3 is a bottom plan view thereof;
 FIG. 4 is a right side elevational view thereof; the left side elevational view being substantially a mirror image thereof; and,
 FIG. 5 is a right side elevational view thereof in a folded condition.

The structural features depicted by broken lines in the drawings have been shown for the purpose of illustrating portions of the pet ramp that form no part of the claimed design.
 The portion of a pickup truck depicted by broken lines in FIG. 1 represents environment that forms no part of the claimed design.

1 Claim, 3 Drawing Sheets



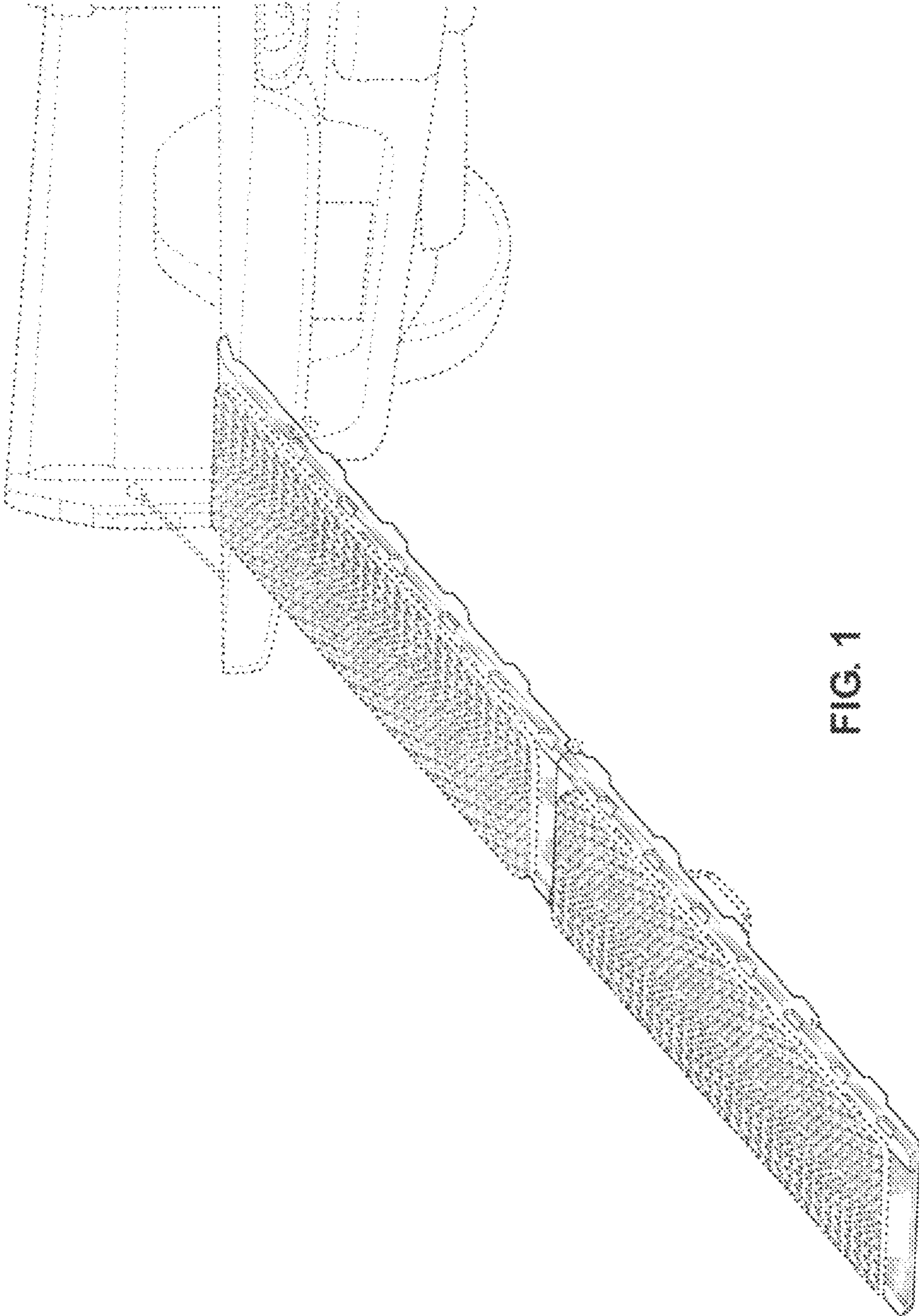


FIG. 1

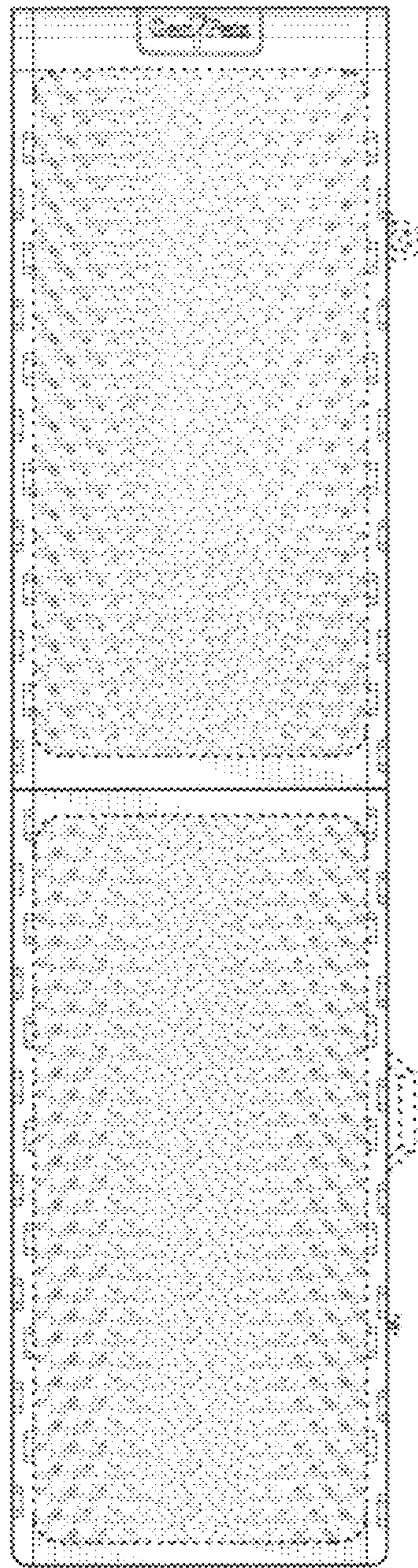


FIG. 2

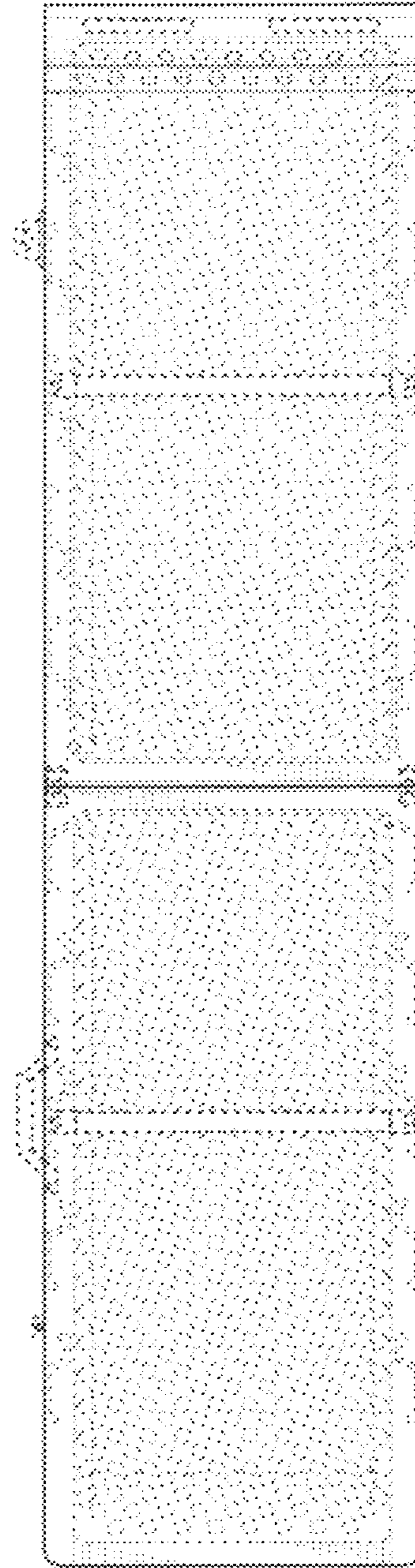


FIG. 3

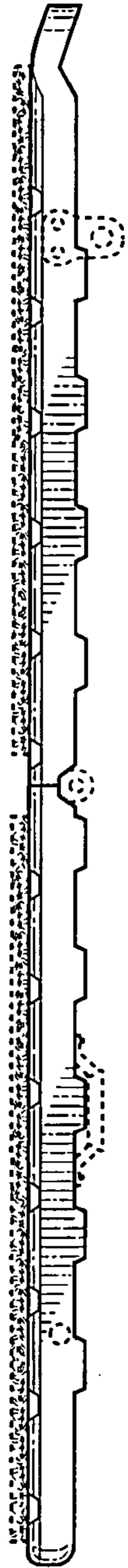


FIG. 4

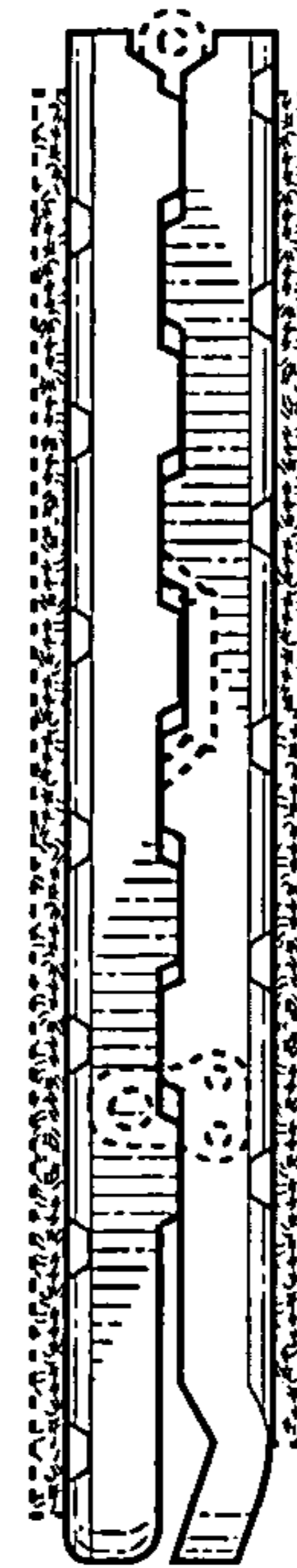


FIG. 5