

US00D734563S

(12) **United States Design Patent**
Daniel

(10) **Patent No.:** **US D734,563 S**
(45) **Date of Patent:** **** Jul. 14, 2015**

(54) **WRISTBAND WITH A DISPLAY SCREEN**

(71) Applicant: **Isaac S. Daniel**, Miramar, FL (US)

(72) Inventor: **Isaac S. Daniel**, Miramar, FL (US)

(**) Term: **14 Years**

(21) Appl. No.: **29/480,089**

(22) Filed: **Jan. 23, 2014**

Related U.S. Application Data

(63) Continuation-in-part of application No. 29/436,633, filed on Nov. 7, 2012, now Pat. No. Des. 701,001.

(51) **LOC (10) Cl.** **29-02**

(52) **U.S. Cl.**
USPC **D29/120.1**

(58) **Field of Classification Search**
USPC D29/100, 101.1, 101.2, 101.3, 101.4, D29/101.5, 120.1, 120.2, 121.1, 121.2, 122; D2/610, 612, 901; D24/190; 2/16, 2/20-24, 62, 267, 455, 461, 463, 910, 2/911, 170; 602/3, 5, 6, 16, 23, 26; D3/215, 218, 219, 221, 226, 228; 224/219, 222, 267, 269
CPC G06F 1/163; A45F 2005/008
See application file for complete search history.

(56) **References Cited**

U.S. PATENT DOCUMENTS

5,386,933	A *	2/1995	Greene et al.	224/219
5,400,936	A *	3/1995	Jones et al.	224/222
5,454,185	A *	10/1995	Love	43/57.1
5,657,201	A *	8/1997	Kochis	361/679.41
6,530,509	B1 *	3/2003	Davis	224/219

6,696,986	B1 *	2/2004	Harrison et al.	341/22
D512,832	S *	12/2005	Charles, Jr.	D3/215
D537,623	S *	3/2007	Dennis et al.	D3/218
7,614,434	B2 *	11/2009	DeMichele	150/145
D622,058	S *	8/2010	Wagner, II	D3/226
8,025,632	B2 *	9/2011	Einarsson	602/23
D663,950	S *	7/2012	Willows et al.	D3/226
D667,172	S *	9/2012	Baum et al.	D29/120.1

* cited by examiner

Primary Examiner — Randall Gholson

(74) *Attorney, Agent, or Firm* — Carol N. Green Kaul, Esq.

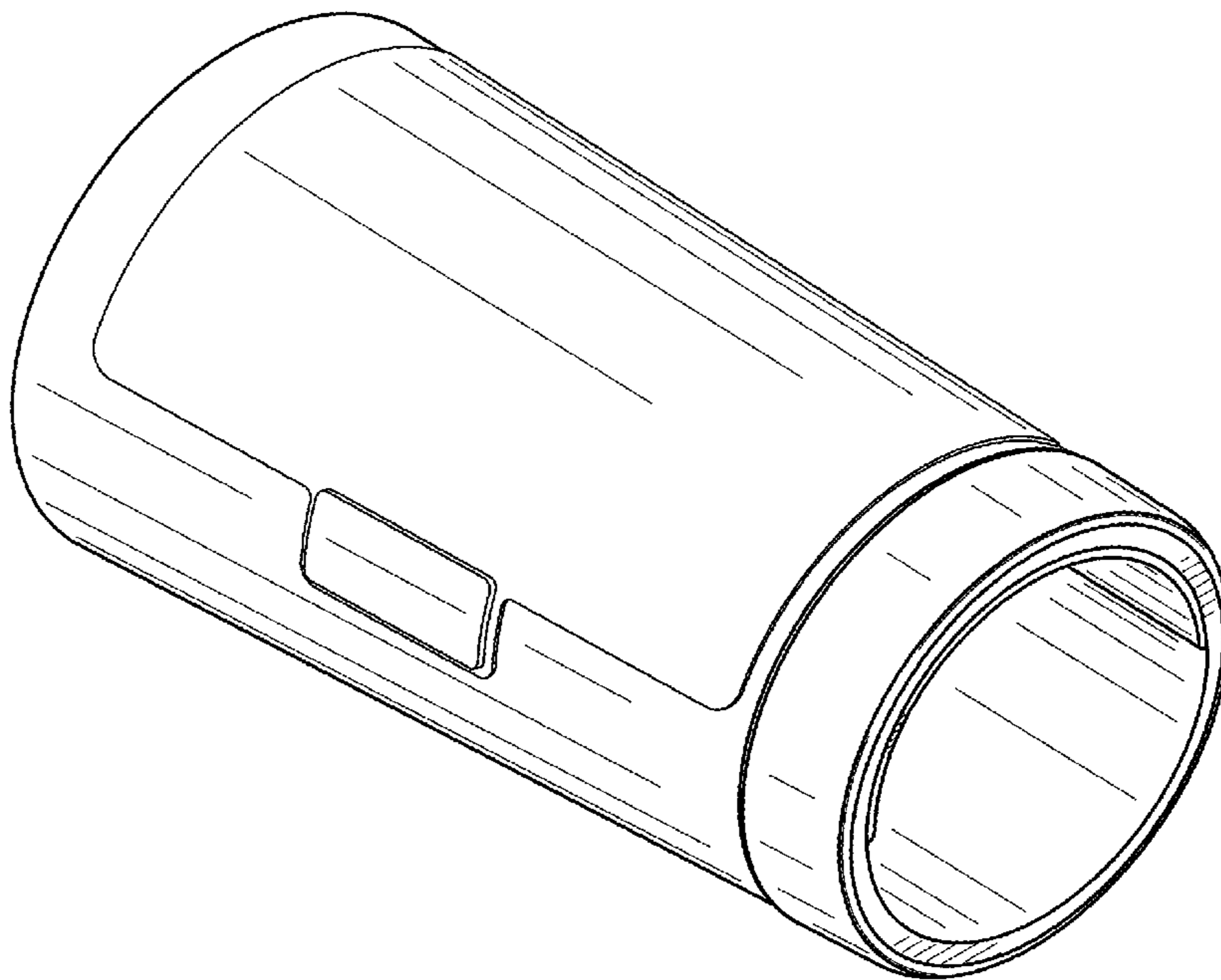
(57) **CLAIM**

The ornamental design for a wristband with a display screen, as shown and described.

DESCRIPTION

FIG. 1 is a front perspective view of the invention.
FIG. 2 is a rear perspective view of the invention.
FIG. 3 is a top plan view of the invention.
FIG. 4 is a bottom plan view of the invention.
FIG. 5 is a front elevational view of the invention.
FIG. 6 is a rear elevational view of the invention.
FIG. 7 is a right side view of the invention.
FIG. 8 is a left side view the invention.
FIG. 9 is a top perspective view of the wristband with the display cover partially opened and the paper partially inserted beneath the display screen; and,
FIG. 10 shows the invention in use.
The broken lines showing the paper in FIG. 9 form no part of the claimed design and the broken lines in FIG. 10 depict a wearer of the invention also forming no part of the claimed design.

1 Claim, 6 Drawing Sheets



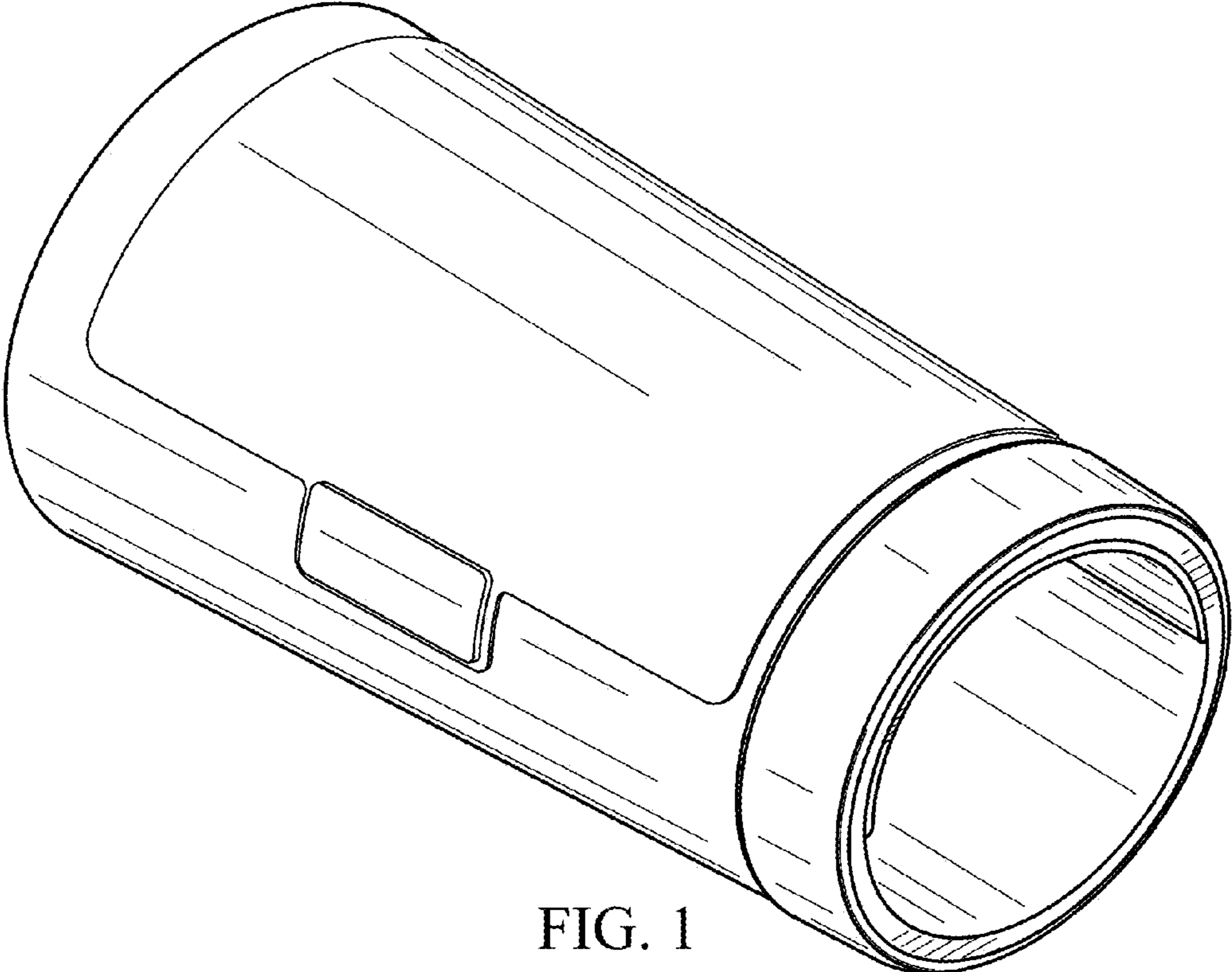


FIG. 1

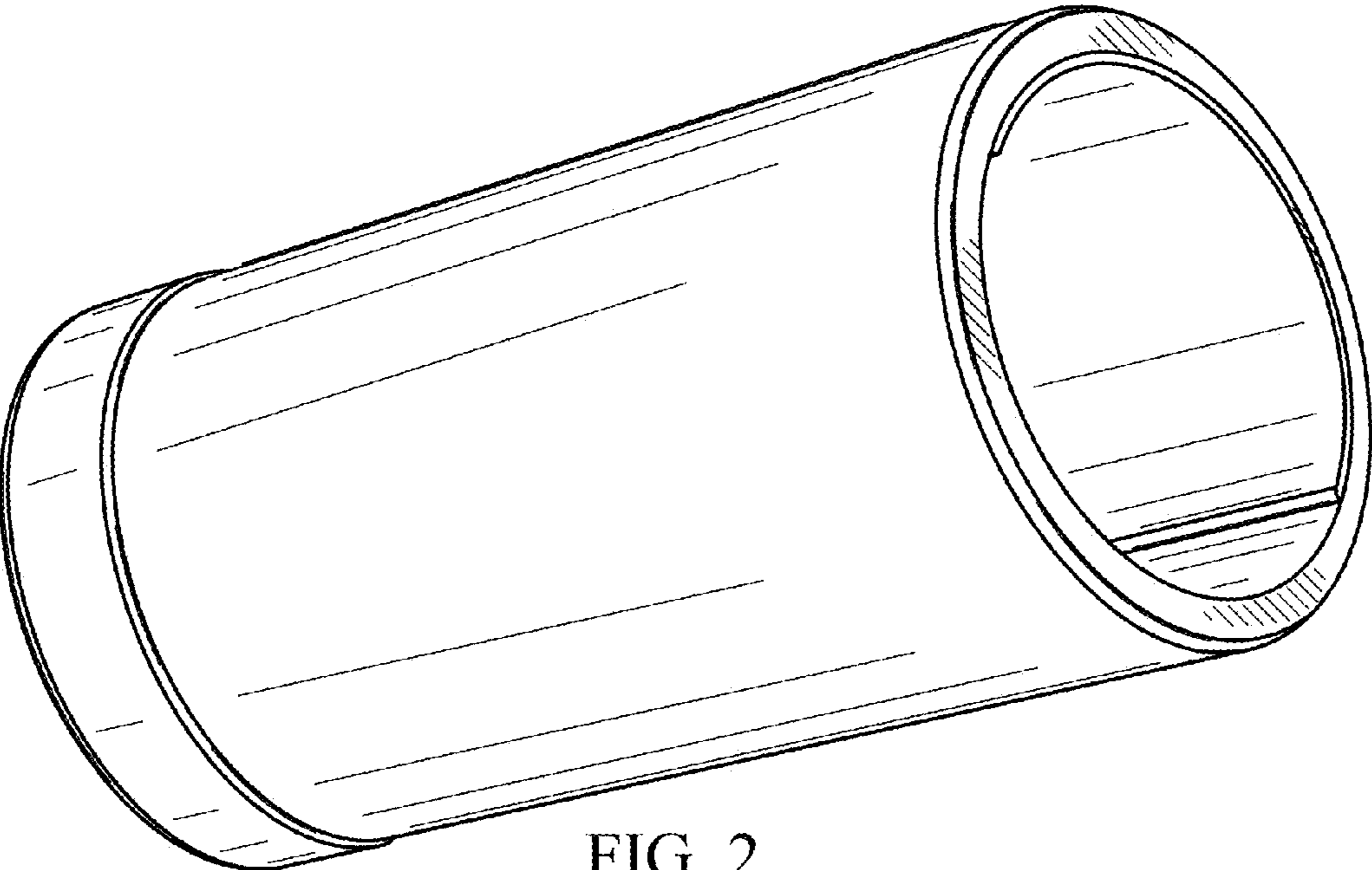


FIG. 2

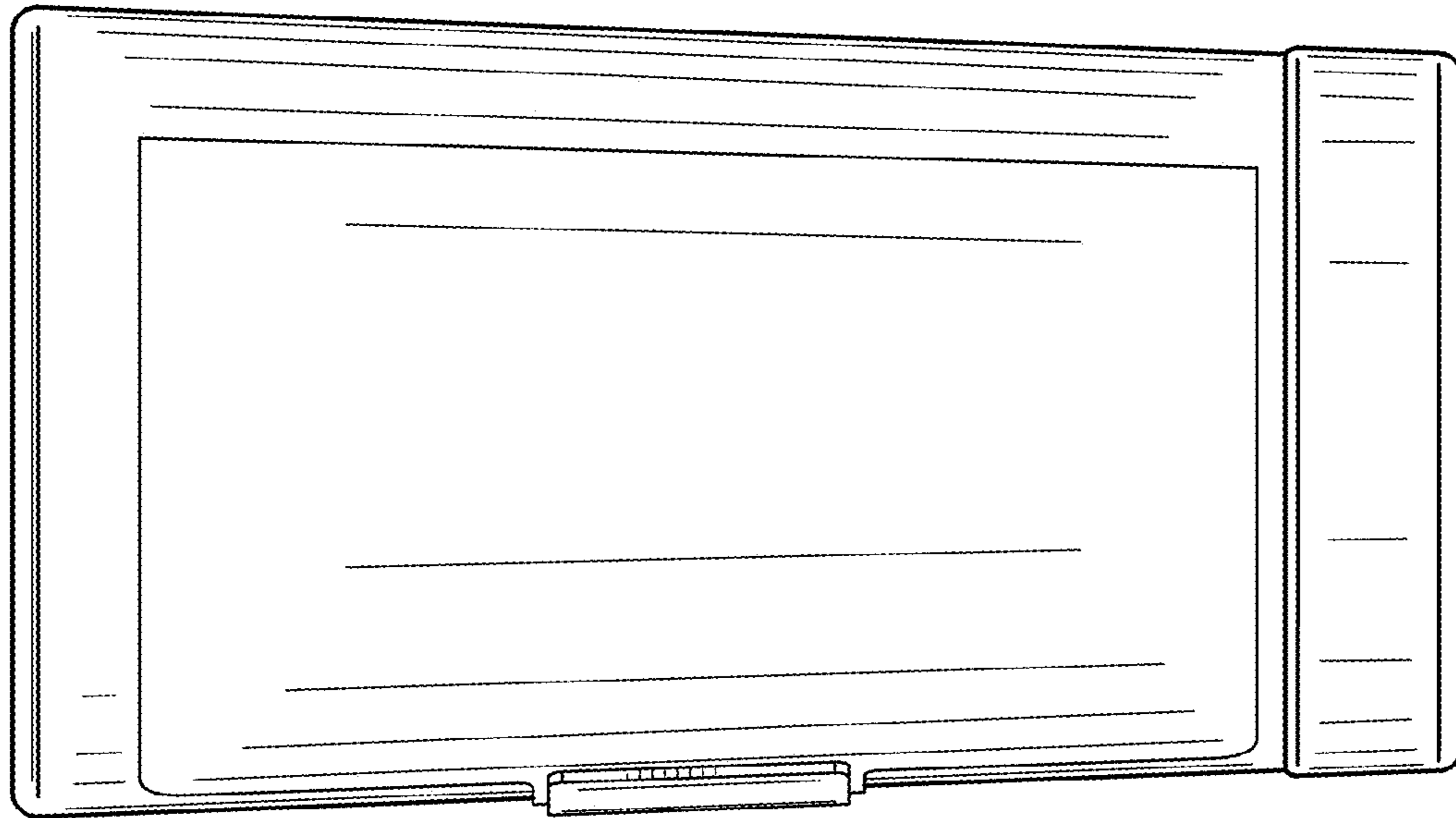


FIG. 3

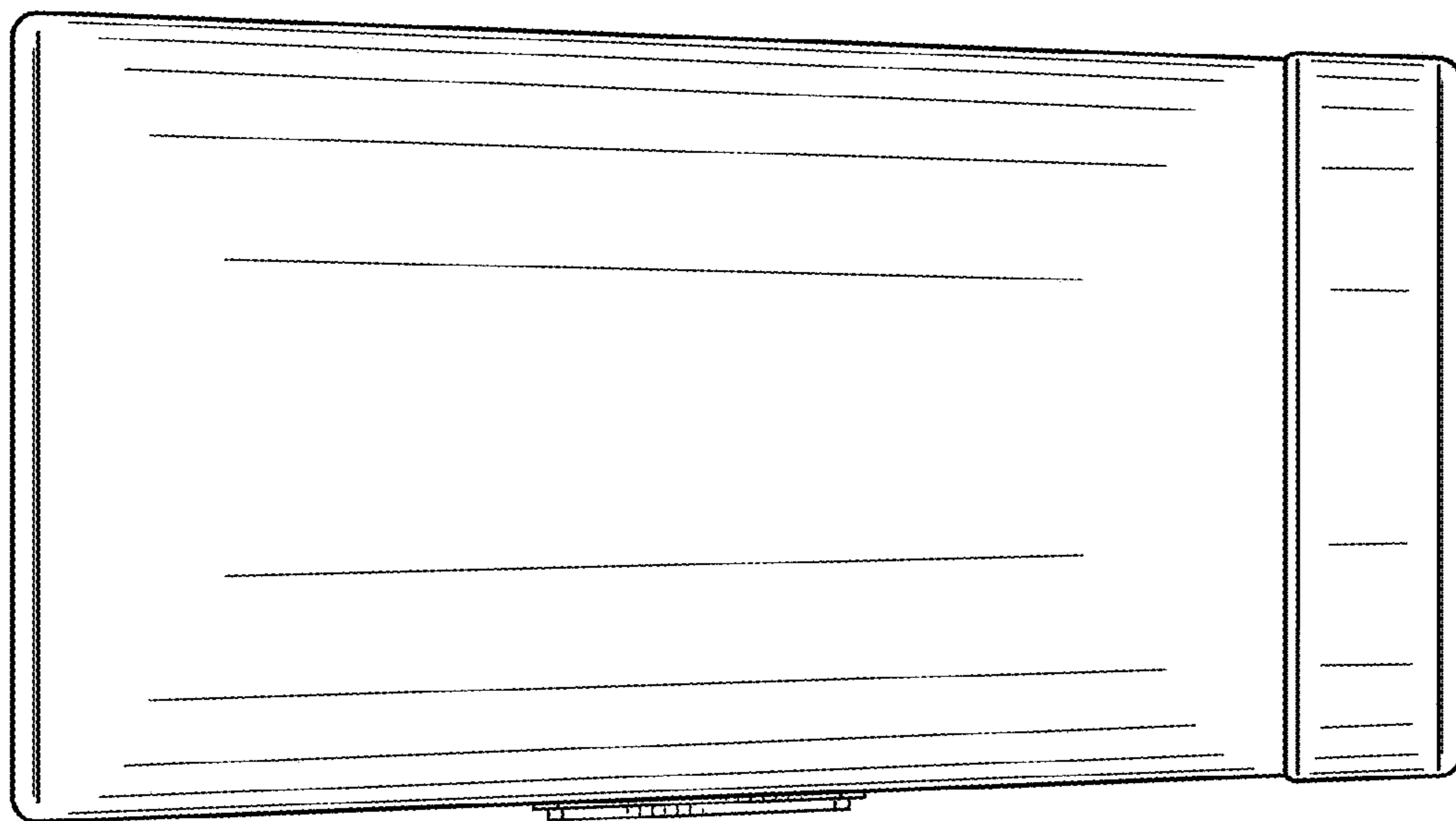


FIG. 4

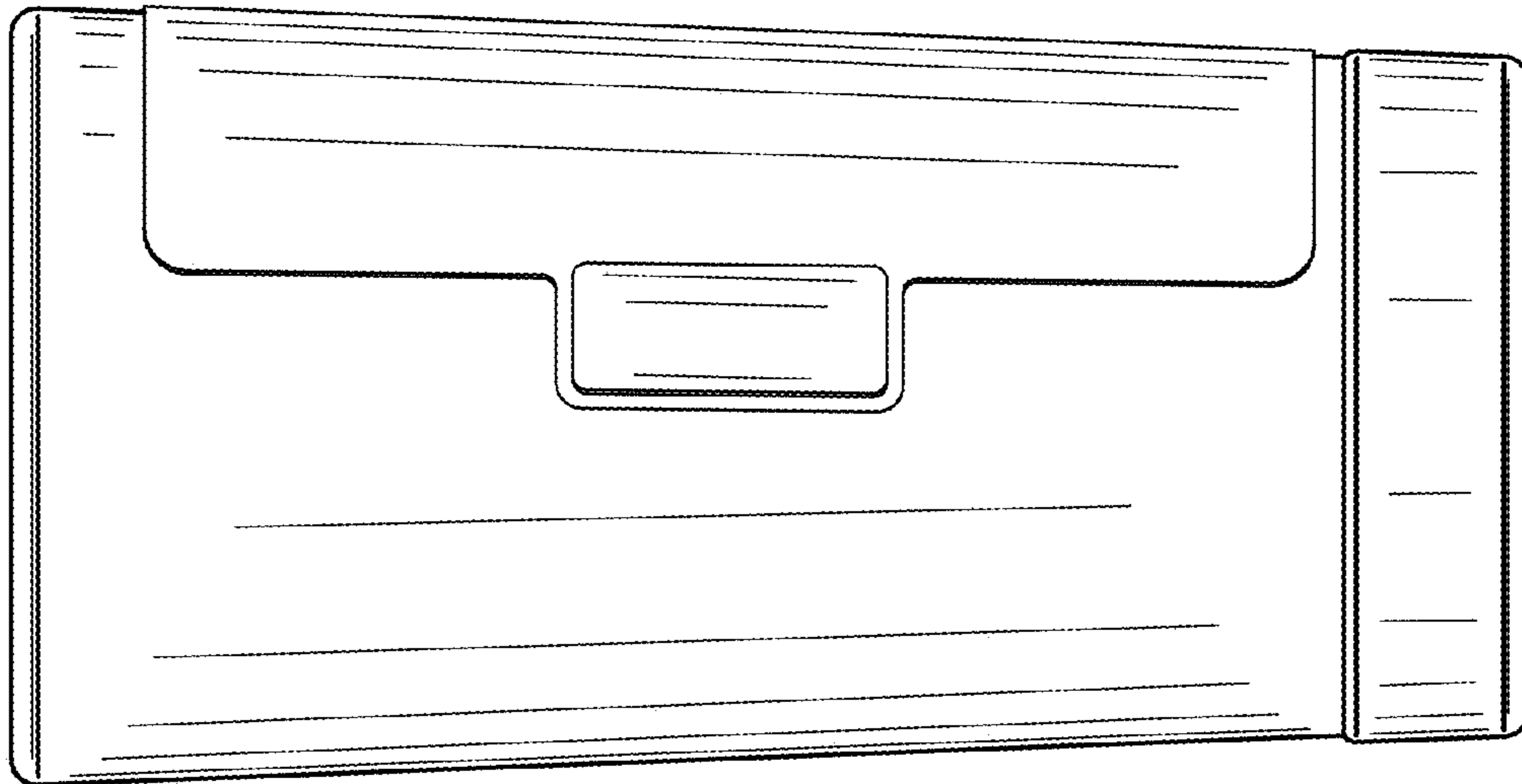


FIG. 5

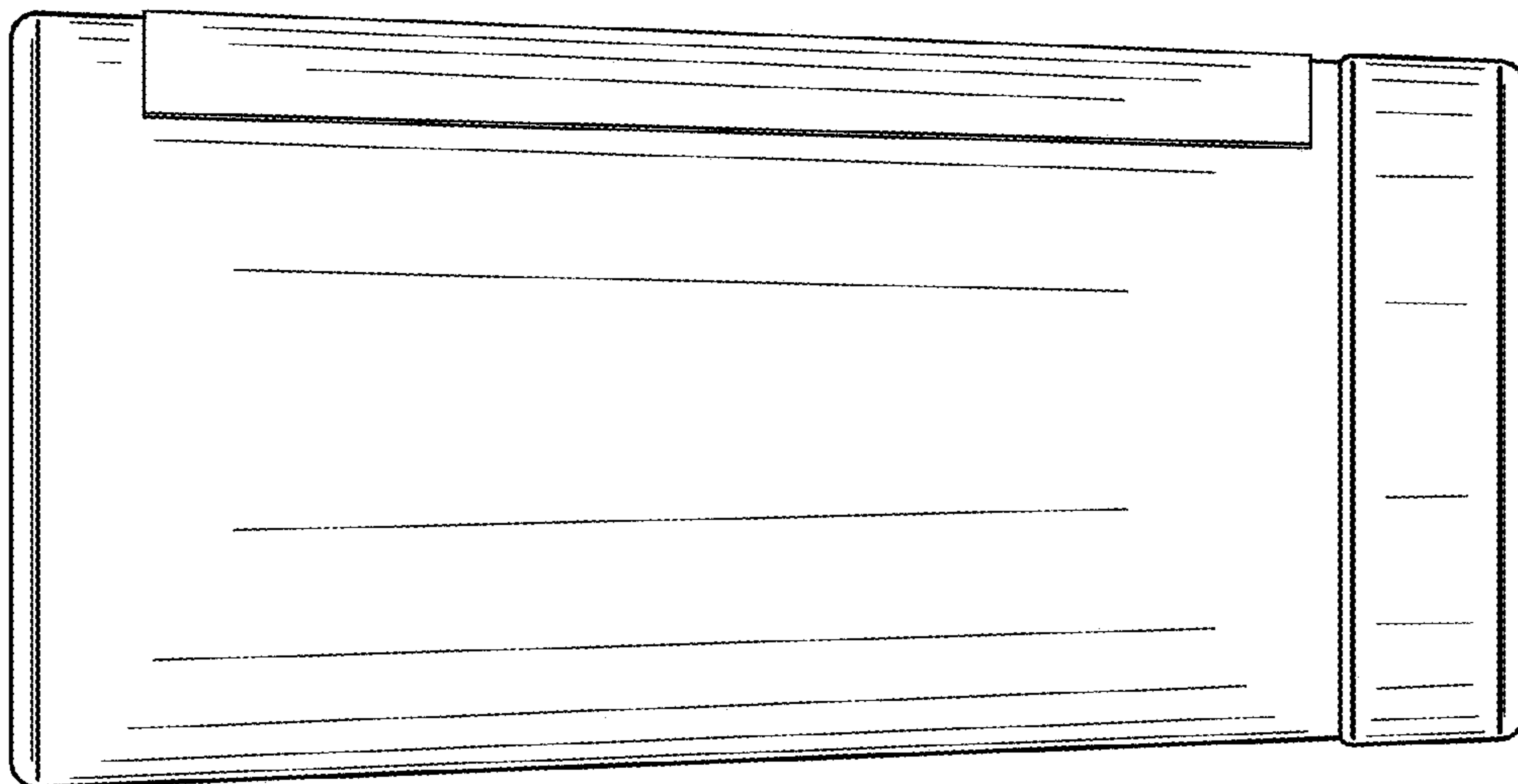


FIG. 6

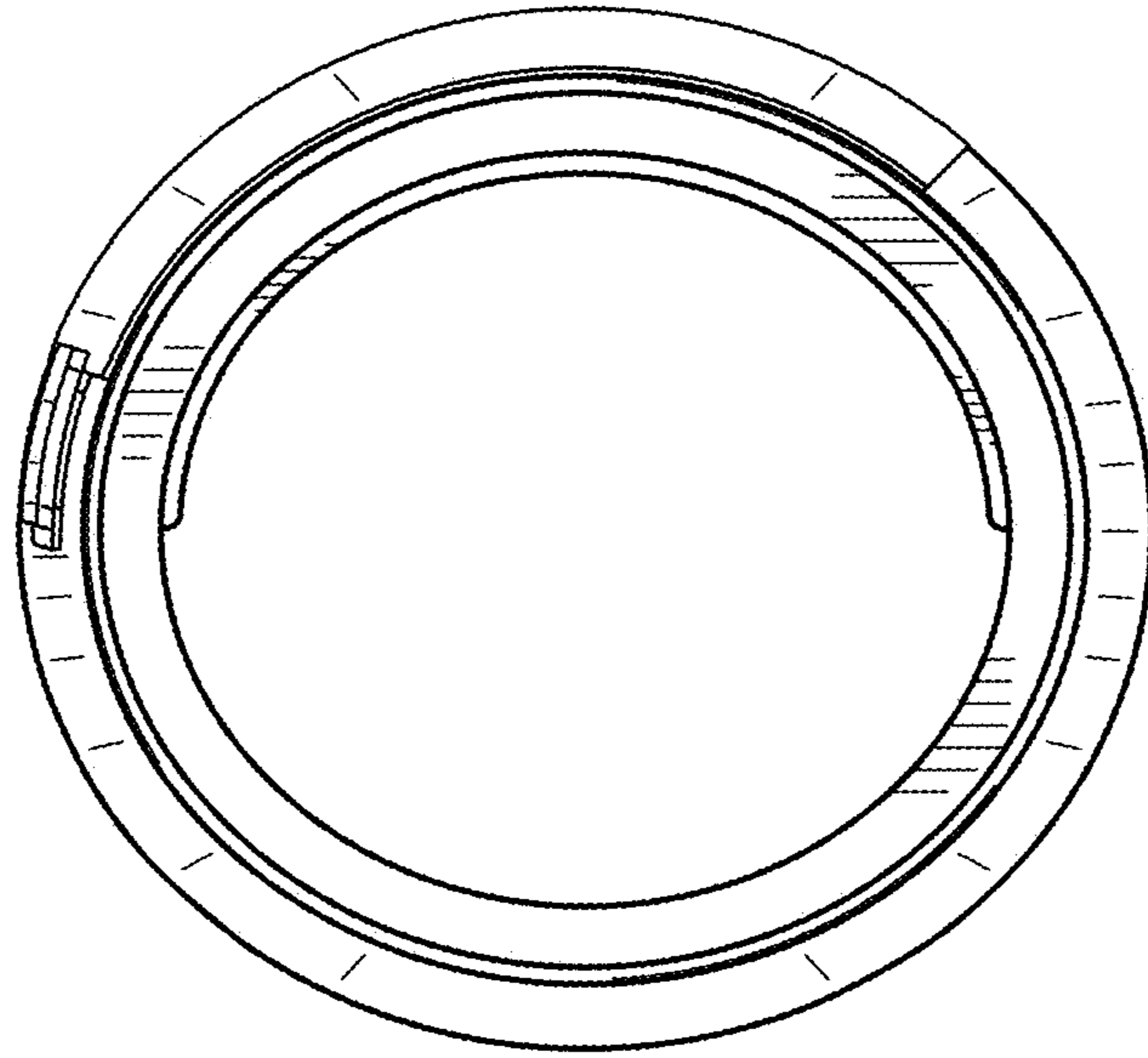


FIG. 7

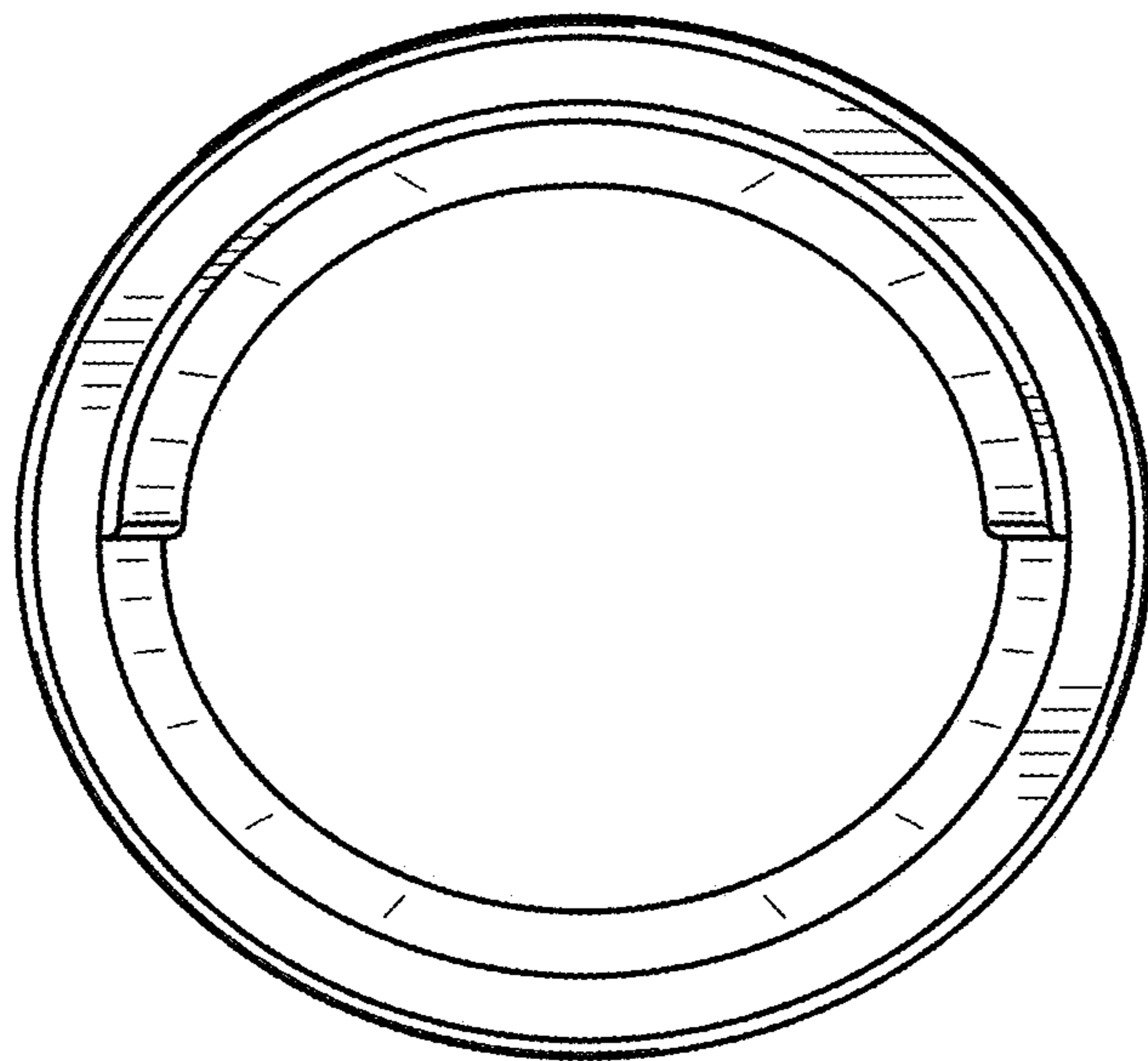


FIG. 8

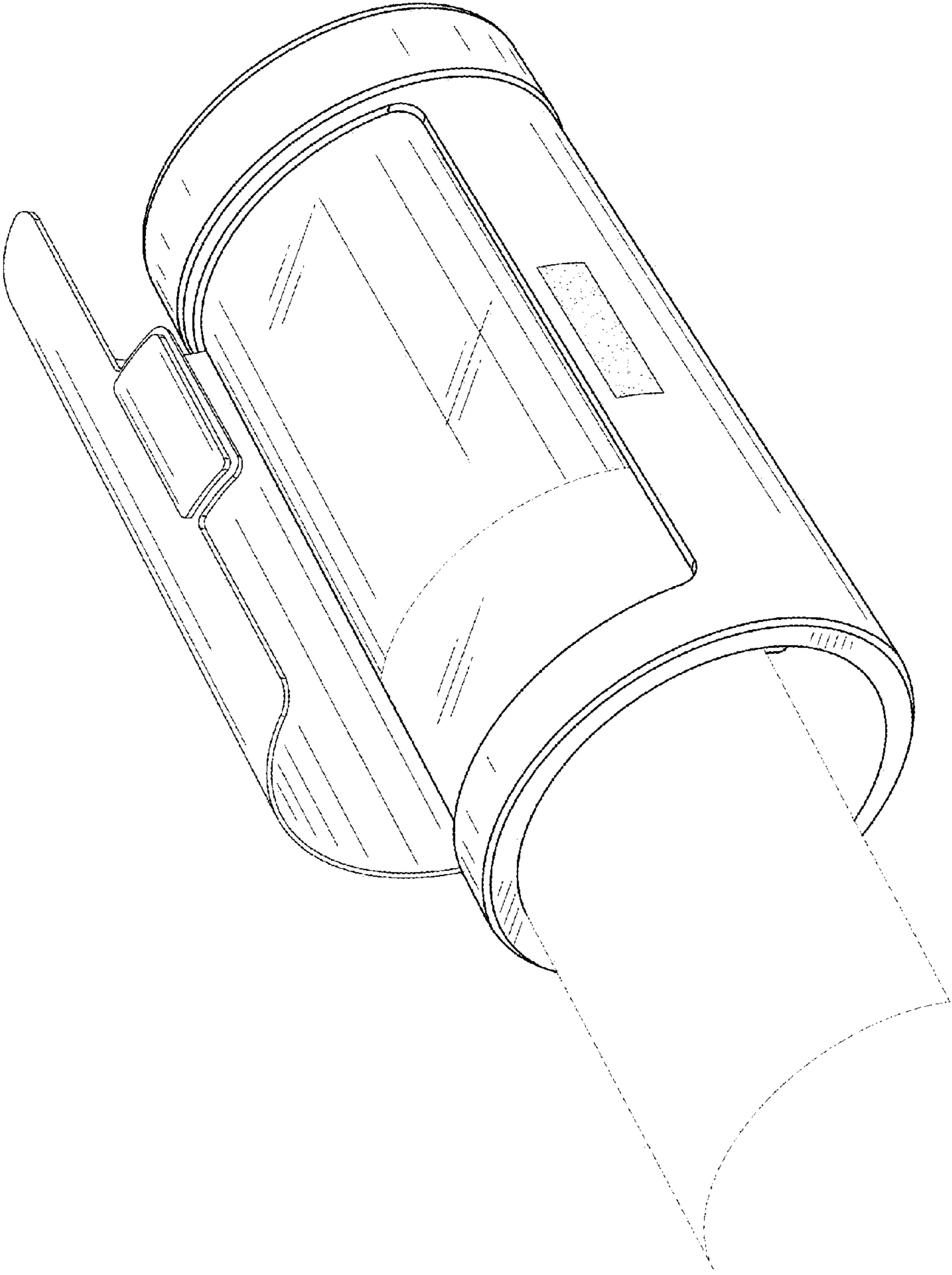


FIG. 9

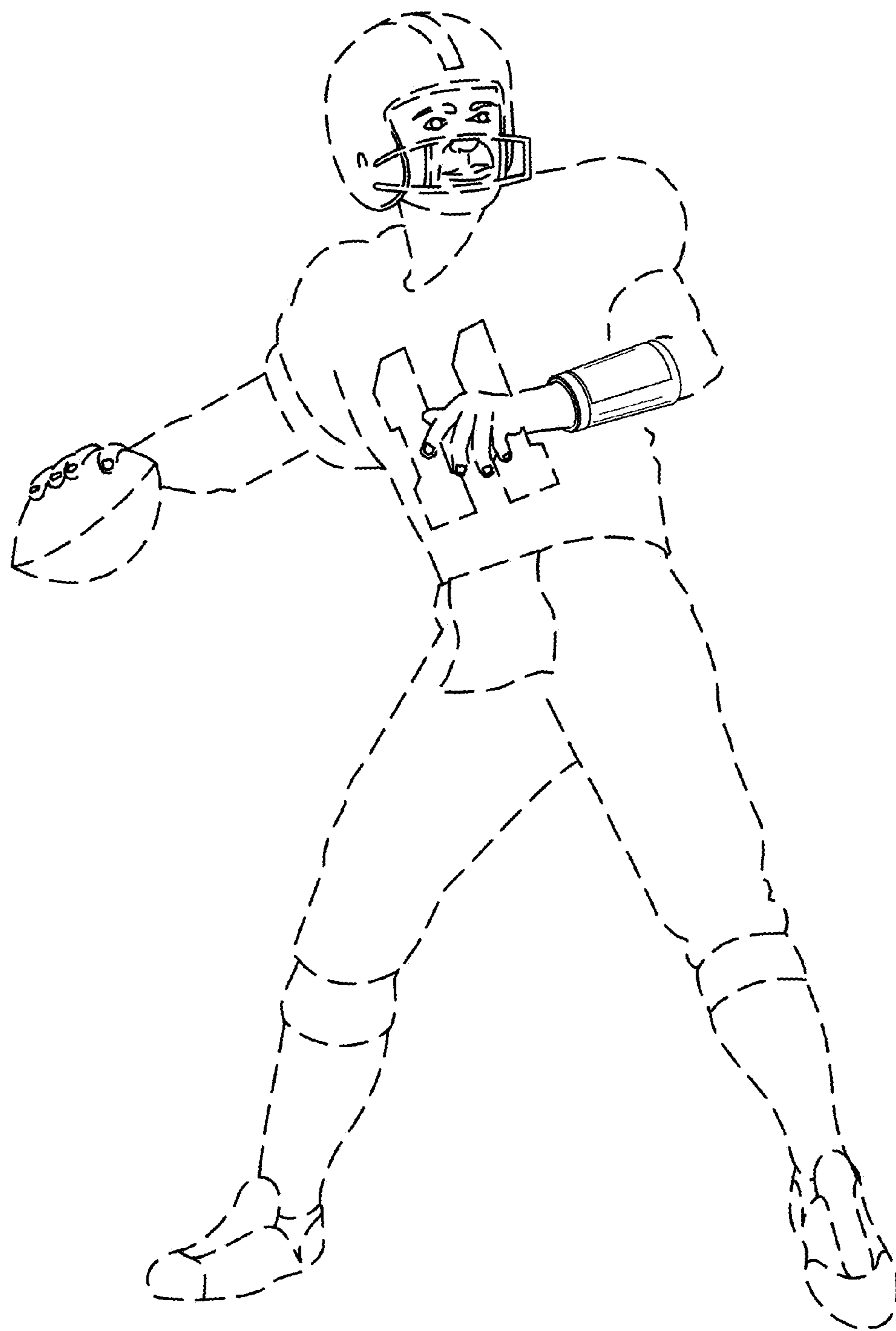


FIG. 10