



US00D734557S

(12) **United States Design Patent**
Stankus

(10) **Patent No.:** **US D734,557 S**
(45) **Date of Patent:** **** Jul. 14, 2015**

- (54) **WELDING HELMET WITH ADJUSTABLE FAN**
- (71) Applicant: **Frank Stankus**, Plantation, FL (US)
- (72) Inventor: **Frank Stankus**, Plantation, FL (US)
- (**) Term: **14 Years**
- (21) Appl. No.: **29/476,572**
- (22) Filed: **Dec. 14, 2013**
- (51) **LOC (10) Cl.** **29-02**
- (52) **U.S. Cl.**
USPC **D29/110**
- (58) **Field of Classification Search**
USPC D29/100, 102, 105, 106, 107, 108, 110;
2/455, 410, 6.3, 6.7, 7, 8.2, 424, 425,
2/15, 427, 431, 432, 9, 171, 173, 206;
D24/110.1, 110.2, 110.3; 128/857,
128/858, 201.22, 201.23, 201.24, 206.12
CPC A42B 3/225; A42B 3/18; A42B 3/20;
A42B 3/32; A42B 3/322; A42B 3/324;
A42B 3/326; A42B 3/328; A42B 3/06;
F41H 1/04; F41H 1/06; F41H 1/08; F41H
3/00; A41B 3/00; A61F 9/06; A61F 9/061;
A61F 9/062; A61F 9/064; A63B 71/10;
A63B 2071/105; A63B 71/08; A63B 71/081
See application file for complete search history.

- (56) **References Cited**
U.S. PATENT DOCUMENTS
2,644,159 A * 7/1953 Jacobs 2/8.5
D310,276 S * 8/1990 Fuerthbauer et al. D29/110
D365,666 S * 12/1995 Gumpp D29/110
5,533,206 A * 7/1996 Petrie et al. 2/8.5
D393,933 S * 4/1998 Huh D29/110
D398,421 S * 9/1998 Crafoord et al. D29/110
D419,727 S * 1/2000 Verkic et al. D29/110
D481,832 S * 11/2003 Huh D29/110
D482,502 S * 11/2003 Huh D29/110

- D482,503 S * 11/2003 Huh D29/110
- D489,492 S * 5/2004 Wu D29/110
- D521,190 S * 5/2006 Wu D29/110
- D527,849 S * 9/2006 Huh D29/110
- D530,864 S * 10/2006 Huh D29/110
- D540,989 S * 4/2007 Huh D29/110
- D540,990 S * 4/2007 Huh D29/110
- D584,858 S * 1/2009 Wang D29/110
- D635,721 S * 4/2011 Cheng D29/110
- D636,129 S * 4/2011 Wu D29/110
- D637,353 S * 5/2011 Wang D29/110
- D652,577 S * 1/2012 Boffey et al. D29/110
- D654,224 S * 2/2012 Wu D29/110
- D654,225 S * 2/2012 Wu D29/110
- D654,226 S * 2/2012 Wu D29/110
- D654,634 S * 2/2012 Wu D29/110

(Continued)

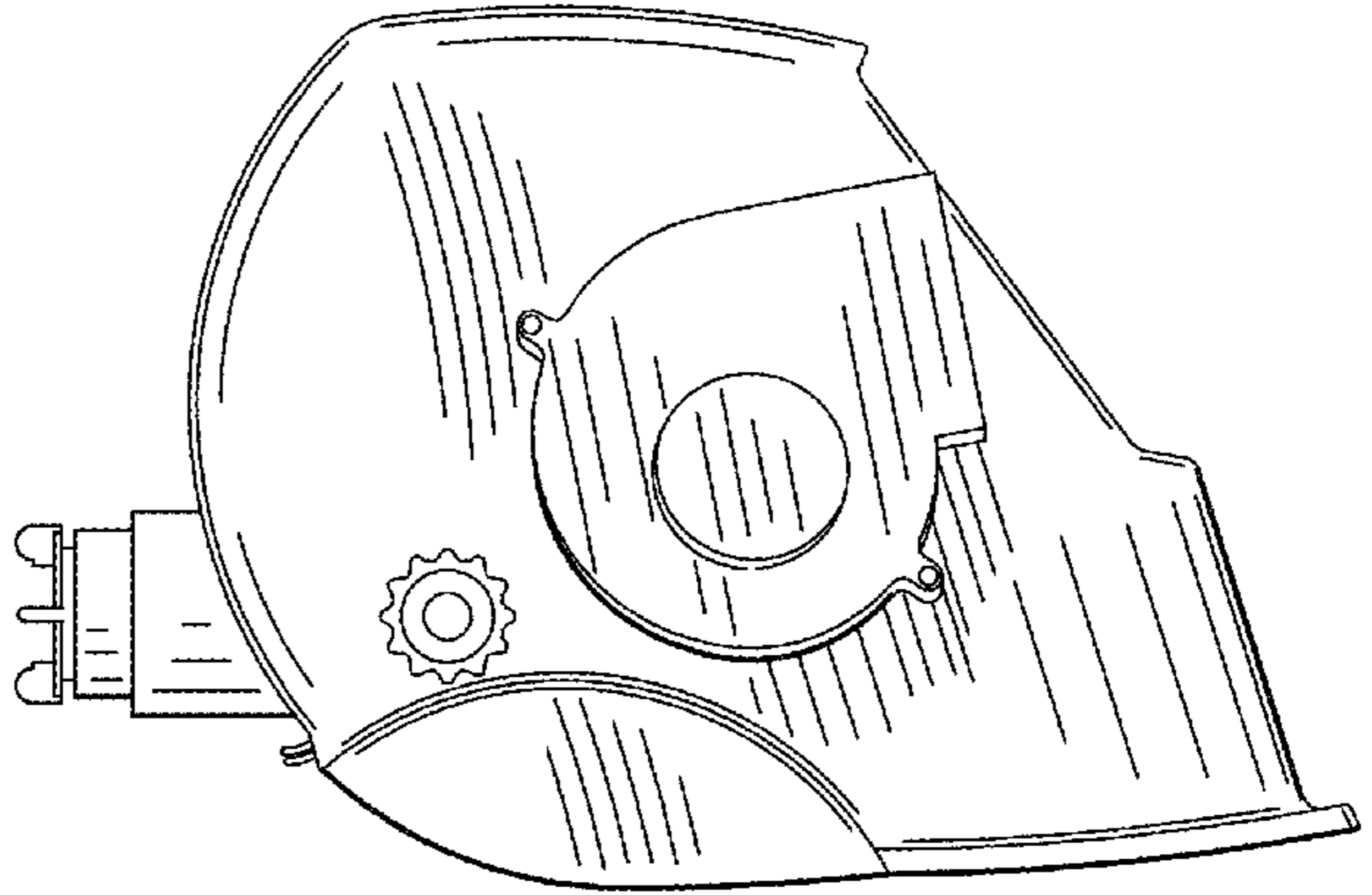
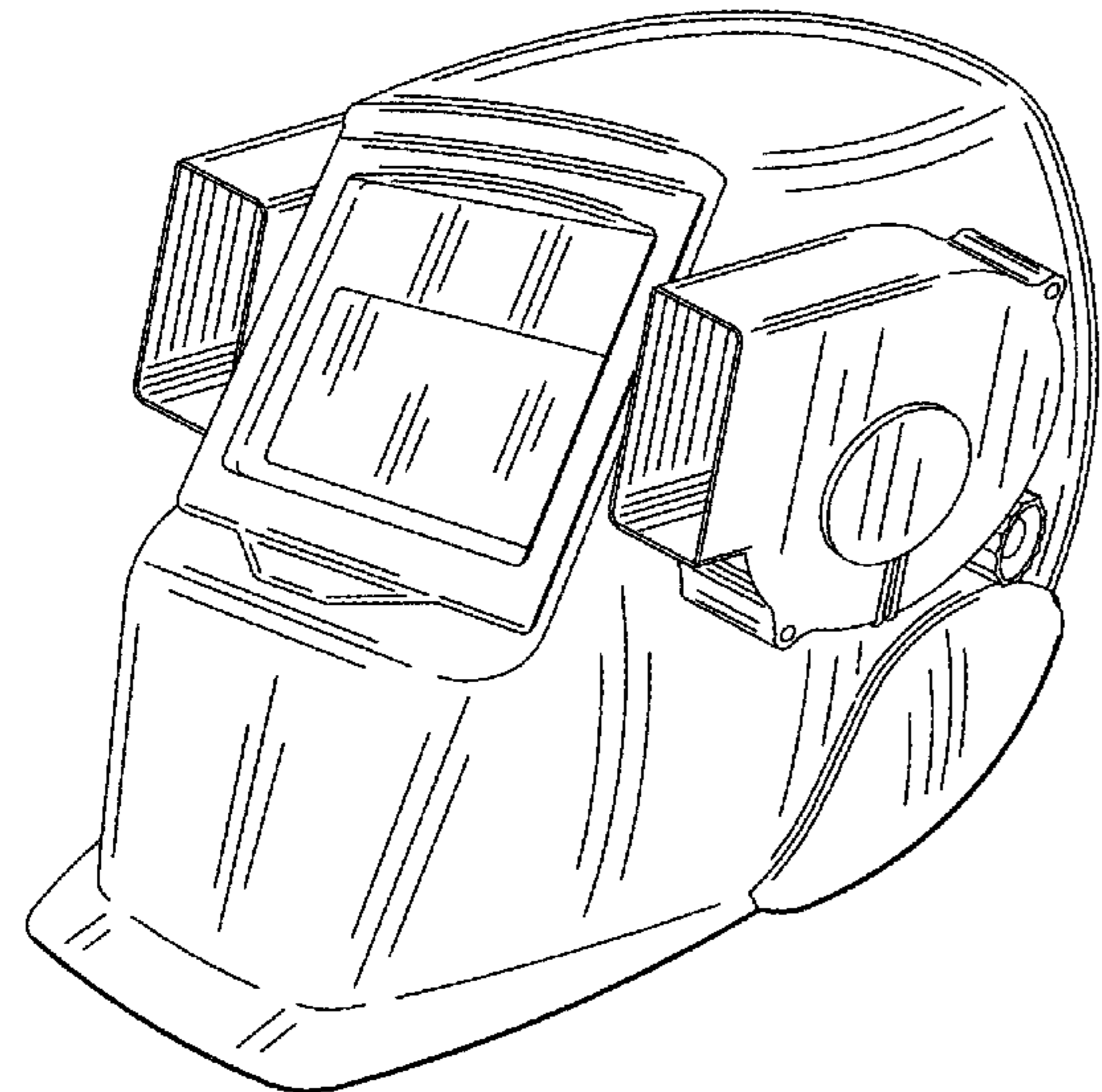
Primary Examiner — Elizabeth J Oswecki
(74) *Attorney, Agent, or Firm* — Nancy J. Flint, Esq.; Nancy J. Flint, Attorney At Law, P.A.

(57) **CLAIM**
The ornamental design for a welding helmet with adjustable fans, as shown and described.

DESCRIPTION

FIG. 1 is a front perspective view of a welding helmet with adjustable fans showing my new design;
FIG. 2 is a left side view thereof;
FIG. 3 is a right side view thereof;
FIG. 4 is a top view thereof;
FIG. 5 is a bottom view thereof;
FIG. 6 is a front view thereof;
FIG. 7 is a back view thereof; and,
FIG. 8 is another left side view thereof, with the fan rotated in an upright position.
Right side views not shown are mirror images of left side views. Any broken lines illustrative of environmental structure in the drawings are not part of the design sought to be patented.

1 Claim, 4 Drawing Sheets



US D734,557 S

Page 2

(56)

References Cited

U.S. PATENT DOCUMENTS

	8,955,162 B2 *	2/2015	Huh	2/8.8
	D728,163 S *	4/2015	Zhou	D29/110
	2007/0079417 A1 *	4/2007	Huh	2/8.2
D700,402 S *	2/2014	Zhou	D29/110	* cited by examiner

Fig. 1

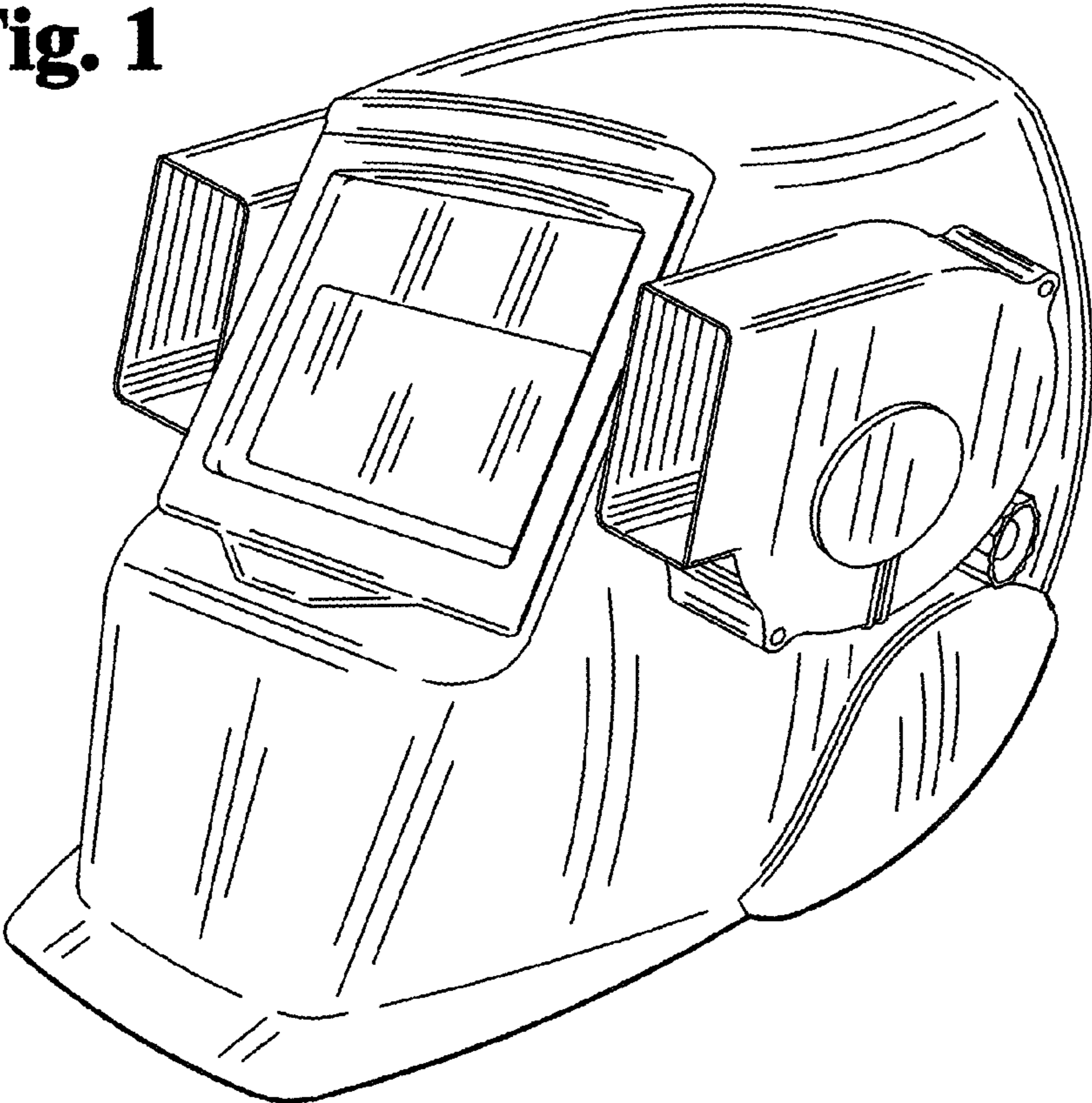


Fig. 2

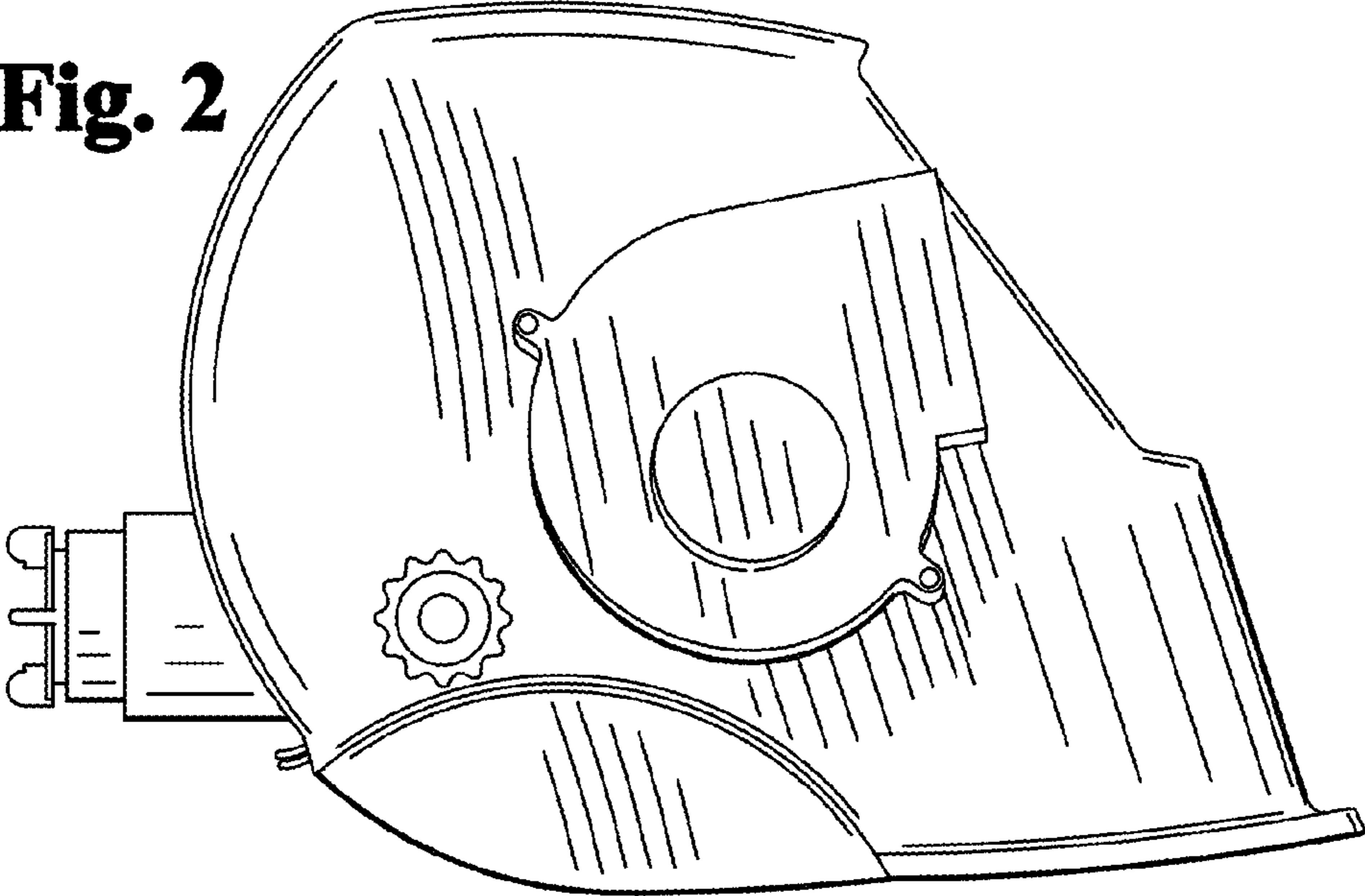


Fig. 3

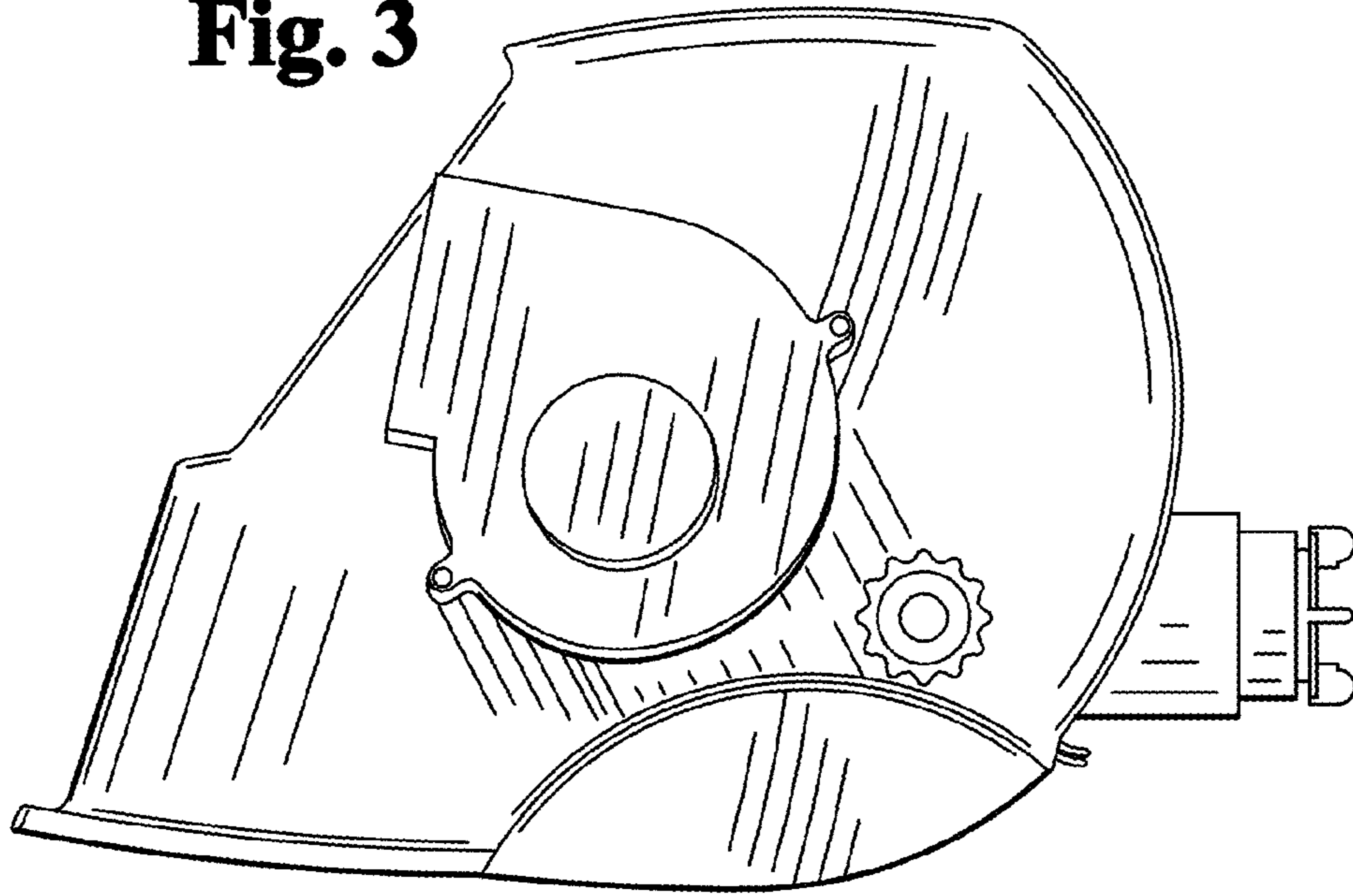


Fig. 4

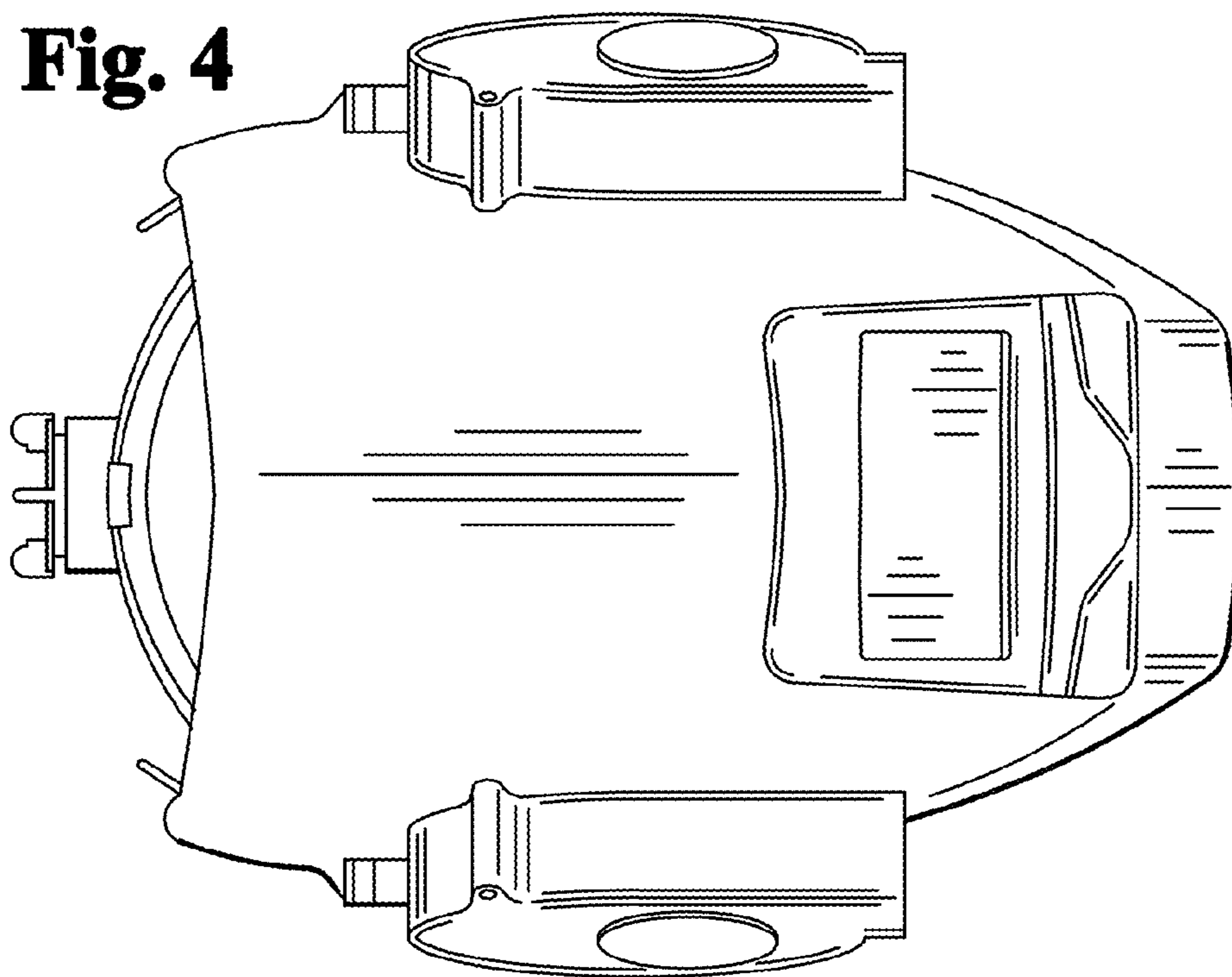


Fig. 5

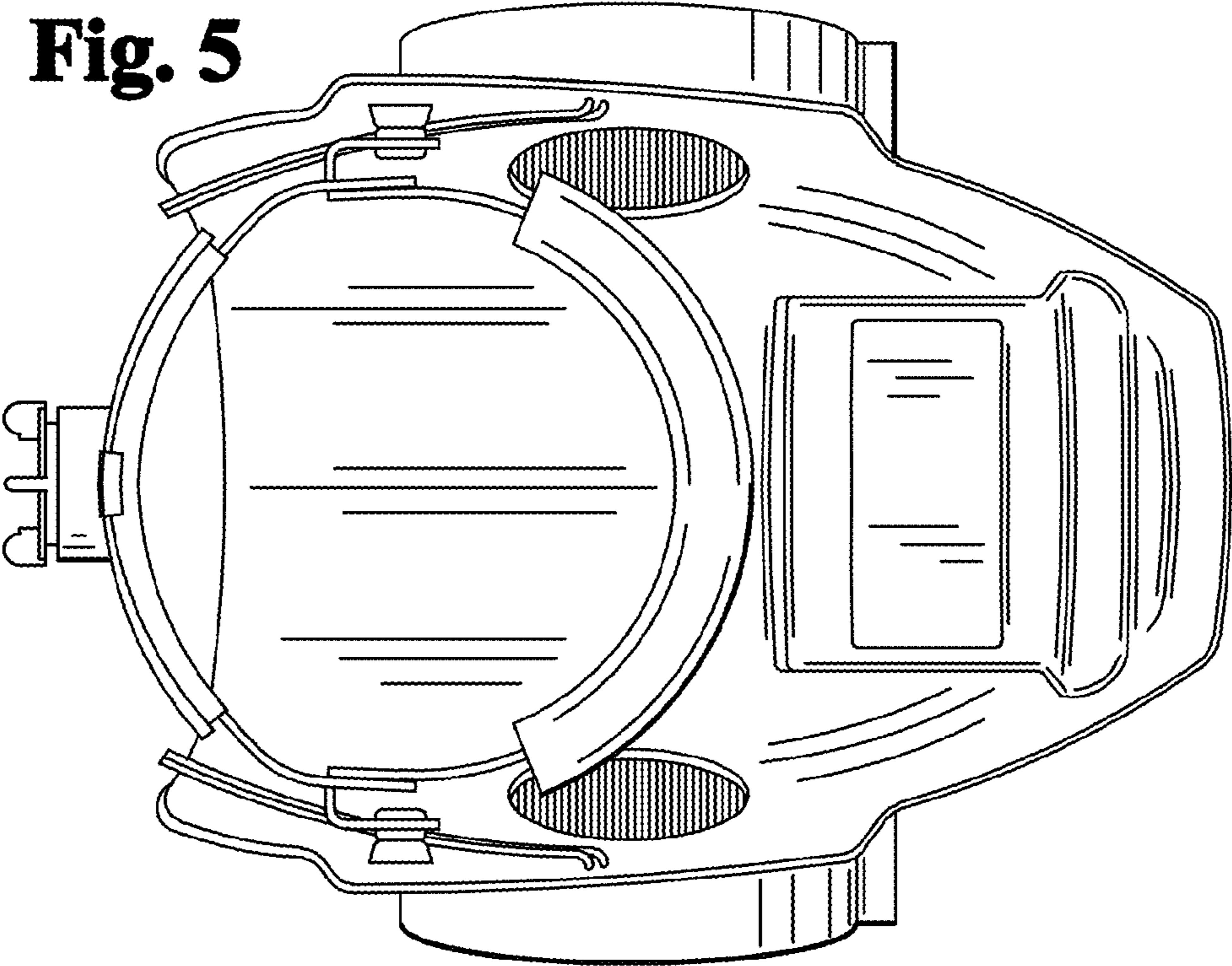


Fig. 6

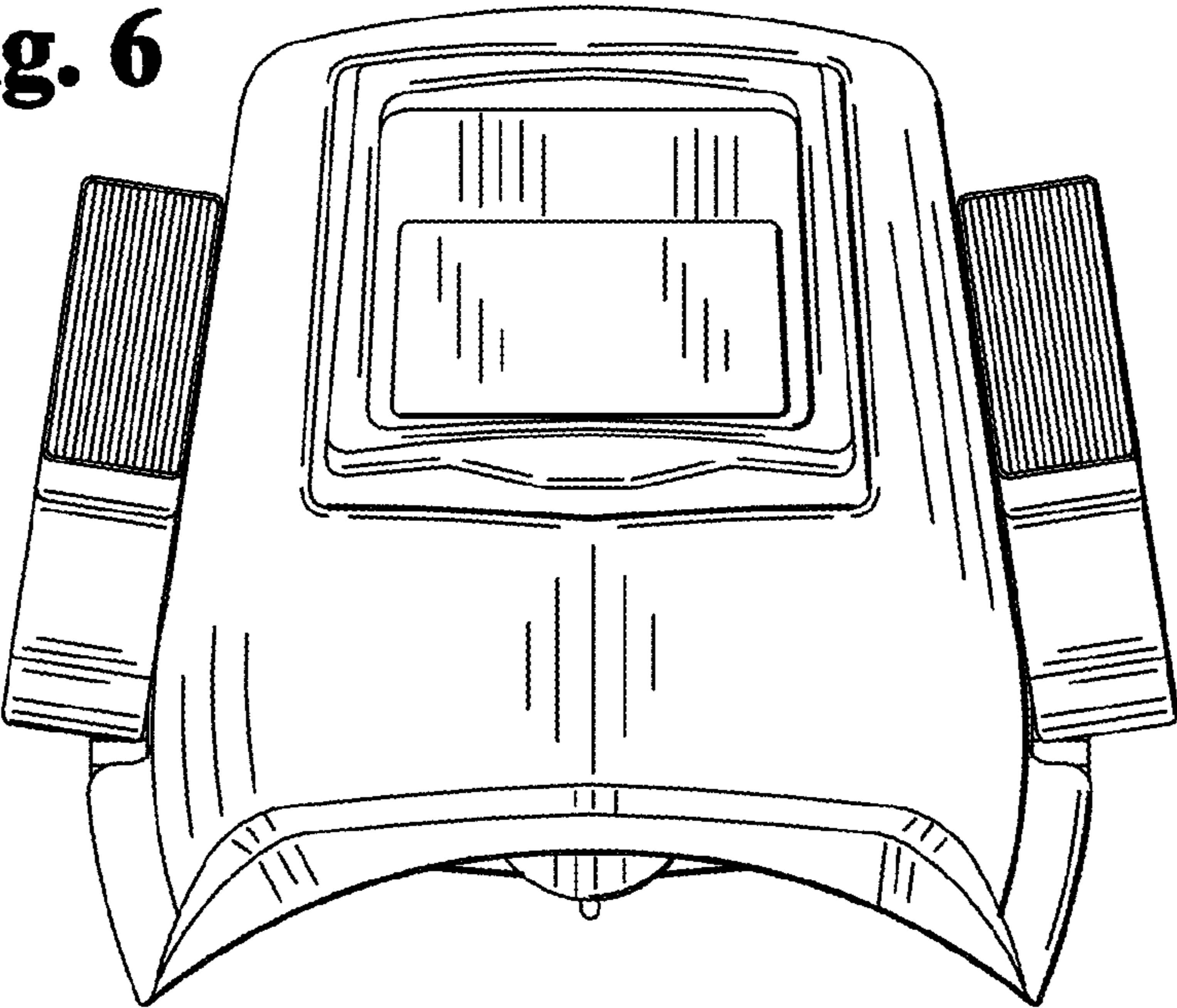


Fig. 7

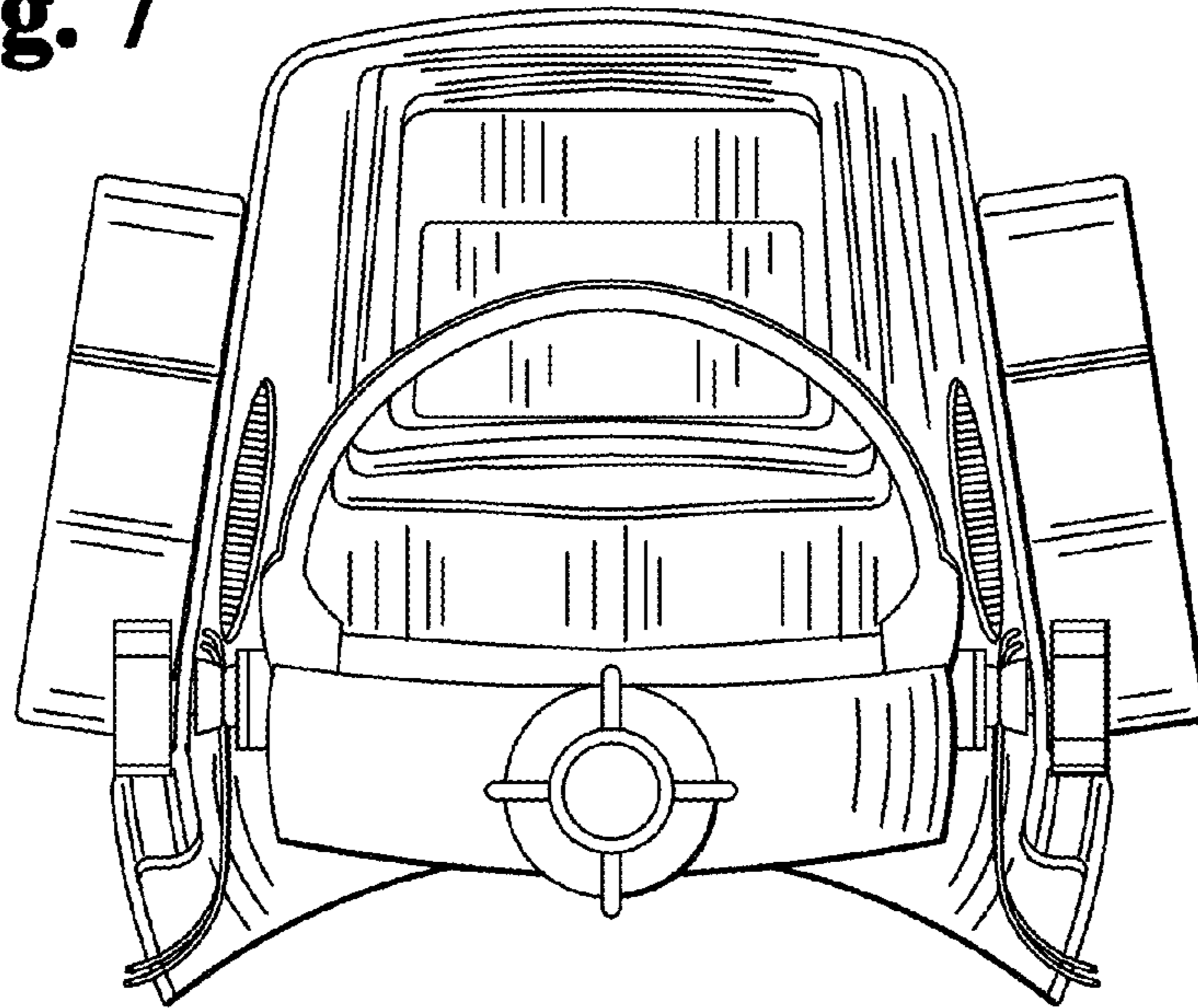


Fig. 8

