



US00D734556S

(12) **United States Design Patent**  
**Brett et al.**

(10) **Patent No.:** **US D734,556 S**  
(45) **Date of Patent:** **\*\* Jul. 14, 2015**

(54) **MOUTHGUARD WITH LIPGUARD**

(71) Applicant: **Sportsguard Laboratories, Inc., Kent, OH (US)**

(72) Inventors: **Daniel J. Brett, Kent, OH (US); Rick P. Sepi, Kent, OH (US)**

(73) Assignee: **SPORTSGUARD LABORATORIES, INC., Kent, OH (US)**

(\*\*) Term: **14 Years**

(21) Appl. No.: **29/455,810**

(22) Filed: **May 24, 2013**

(51) **LOC (10) Cl.** ..... **29-02**

(52) **U.S. Cl.**  
USPC ..... **D29/108; D24/181**

(58) **Field of Classification Search**  
USPC ..... D29/100, 105, 106, 108, 111, 122;  
D24/108, 110, 110.5, 181; 128/859,  
128/860, 861, 862, 846, 857, 848; 602/902;  
433/6, 18, 24, 168.1; 2/9, 424, 425  
See application file for complete search history.

(56) **References Cited**

**U.S. PATENT DOCUMENTS**

2,590,118	A *	3/1952	Oddo, Jr. ....	128/861
2,966,908	A *	1/1961	Cathcart et al. ....	128/861
3,223,085	A *	12/1965	Gores et al. ....	128/861
3,236,235	A *	2/1966	Jacobs ....	128/862
3,312,218	A *	4/1967	Jacobs ....	128/862
3,333,582	A *	8/1967	Cathcart ....	128/862
3,411,501	A *	11/1968	Greenberg ....	128/862
D212,848	S *	12/1968	Westlund ....	D24/181
3,485,242	A	12/1969	Greenberg	
3,692,025	A	9/1972	Greenberg	
4,977,905	A	12/1990	Kittelsen et al.	
5,117,816	A *	6/1992	Shapiro et al. ....	128/200.24
D328,494	S *	8/1992	Schwendeman et al. ....	D24/176
5,165,424	A *	11/1992	Silverman ....	128/861

5,234,005	A	8/1993	Kittelsen et al.	
5,353,810	A	10/1994	Kittelsen et al.	
5,365,946	A	11/1994	McMillan	
5,642,737	A *	7/1997	Parks .....	128/848
D382,965	S *	8/1997	Wagner .....	D29/108
5,692,523	A	12/1997	Croll et al.	
5,755,233	A	5/1998	Adell	
6,405,729	B1 *	6/2002	Thornton .....	128/848
6,584,978	B1 *	7/2003	Brett et al. ....	128/859
D492,785	S *	7/2004	Garabito .....	D24/181
D496,498	S	9/2004	Kittelsen et al.	
D500,895	S *	1/2005	Manzo et al. ....	D29/108
D504,744	S *	5/2005	Hidalgo et al. ....	D29/108
D523,994	S *	6/2006	Manzo .....	D29/108
D526,095	S *	8/2006	Manzo et al. ....	D29/108
D527,848	S *	9/2006	Manzo et al. ....	D29/108
D530,425	S *	10/2006	Carlson .....	D24/181
D532,559	S *	11/2006	Manzo et al. ....	D29/108
D548,402	S *	8/2007	Trodick .....	D29/108
7,353,828	B1	4/2008	Hirshberg	
D593,714	S *	6/2009	Hirshberg .....	D29/108
D594,125	S *	6/2009	Lesniak .....	D24/181
D597,675	S *	8/2009	Eli .....	D24/181

(Continued)

*Primary Examiner* — Elizabeth J Oswecki

(74) *Attorney, Agent, or Firm* — Hudak, Shunk & Farine Co. LPA

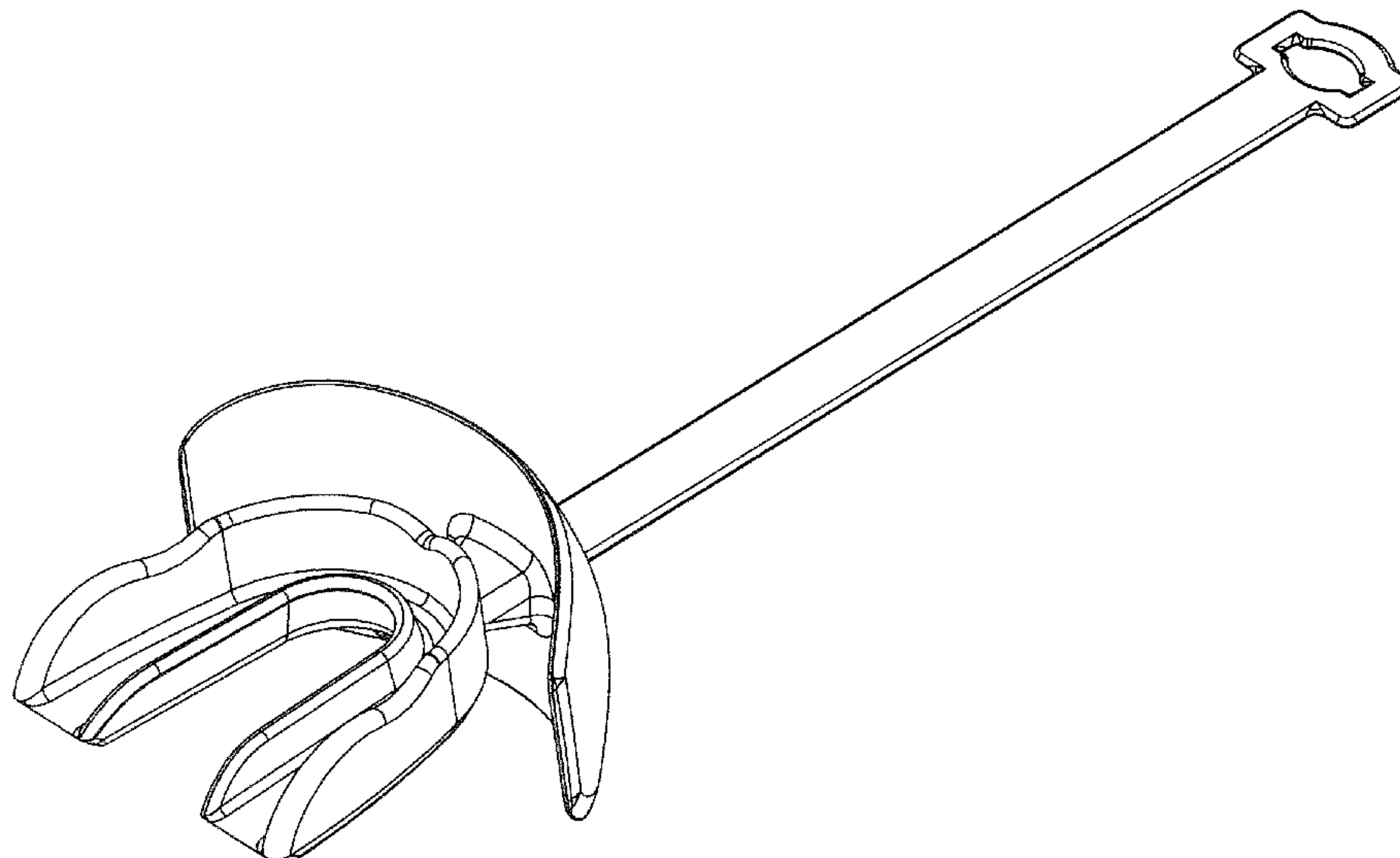
(57) **CLAIM**

The ornamental design for a mouthguard with lipguard, as shown and described.

**DESCRIPTION**

FIG. 1 is a right rear perspective view of a mouthguard with splipguard showing our new design;  
FIG. 2 is a front view thereof;  
FIG. 3 is a rear view thereof;  
FIG. 4 is a right side view thereof;  
FIG. 5 is a left side view thereof;  
FIG. 6 is a top view thereof; and,  
FIG. 7 is a bottom view thereof.

**1 Claim, 7 Drawing Sheets**



(56)

**References Cited**

U.S. PATENT DOCUMENTS

7,708,018 B1 5/2010 Hirshberg  
D618,806 S \* 6/2010 Gelb ..... D24/181  
D621,942 S \* 8/2010 Massad ..... D24/181  
D626,292 S \* 10/2010 Farrell ..... D29/108  
D627,107 S \* 11/2010 Manzo et al. .... D29/108  
D630,382 S \* 1/2011 Manzo et al. .... D29/108  
D634,480 S \* 3/2011 Manzo et al. .... D29/108

D642,277 S \* 7/2011 Farrell ..... D24/181  
D644,791 S \* 9/2011 Petrocelli ..... D29/108  
8,074,658 B2 12/2011 Kittelsen et al.  
D658,813 S \* 5/2012 Manzo ..... D29/108  
D663,485 S \* 7/2012 Turkbash et al. .... D29/108  
D663,486 S 7/2012 Turkbash et al.  
D677,007 S \* 2/2013 Bancroft ..... D29/108  
D710,506 S \* 8/2014 Tolentino et al. .... D24/181  
2012/0111343 A1 5/2012 Turkbash et al.  
2012/0279506 A1 11/2012 Thompson et al.

\* cited by examiner

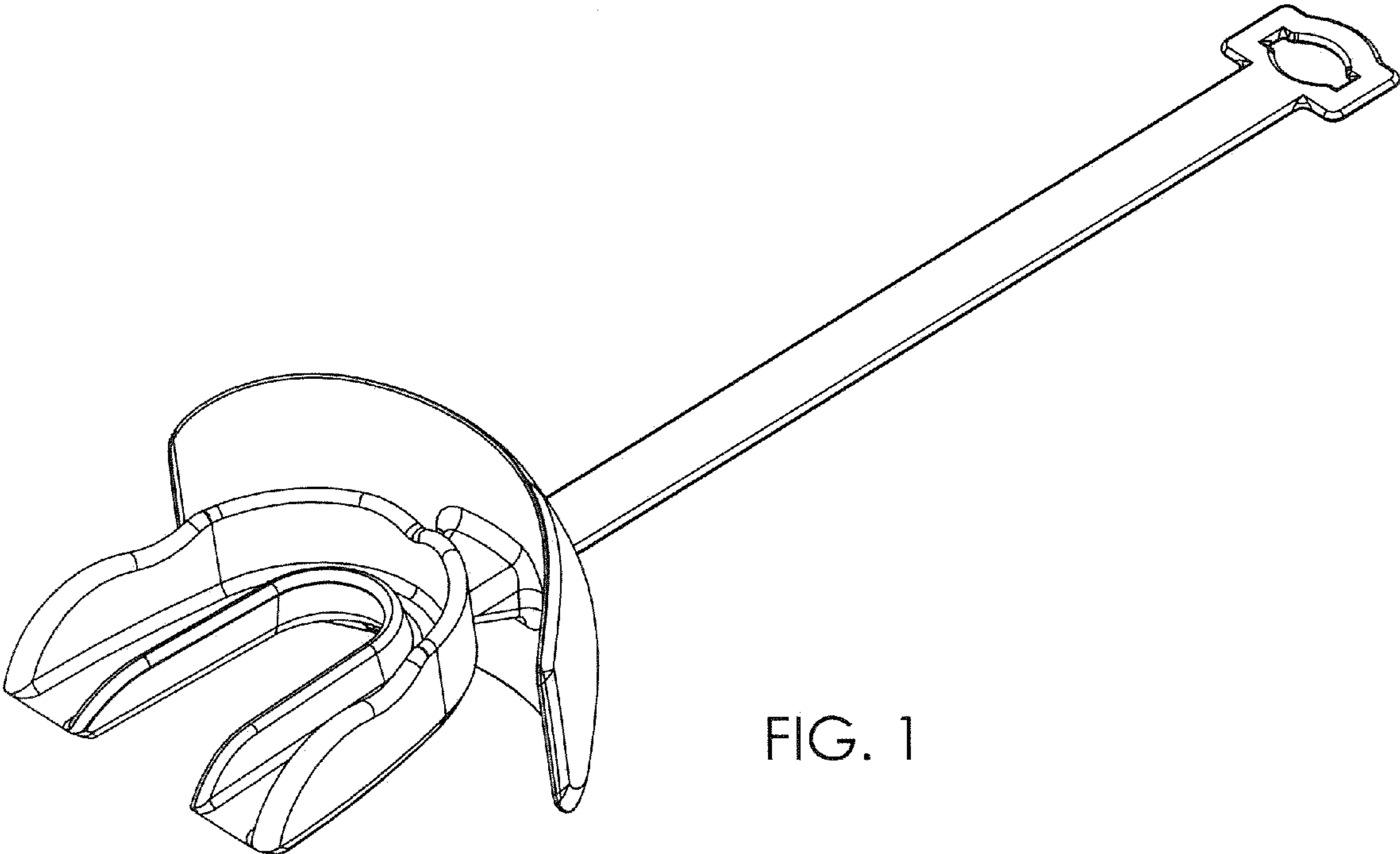


FIG. 1

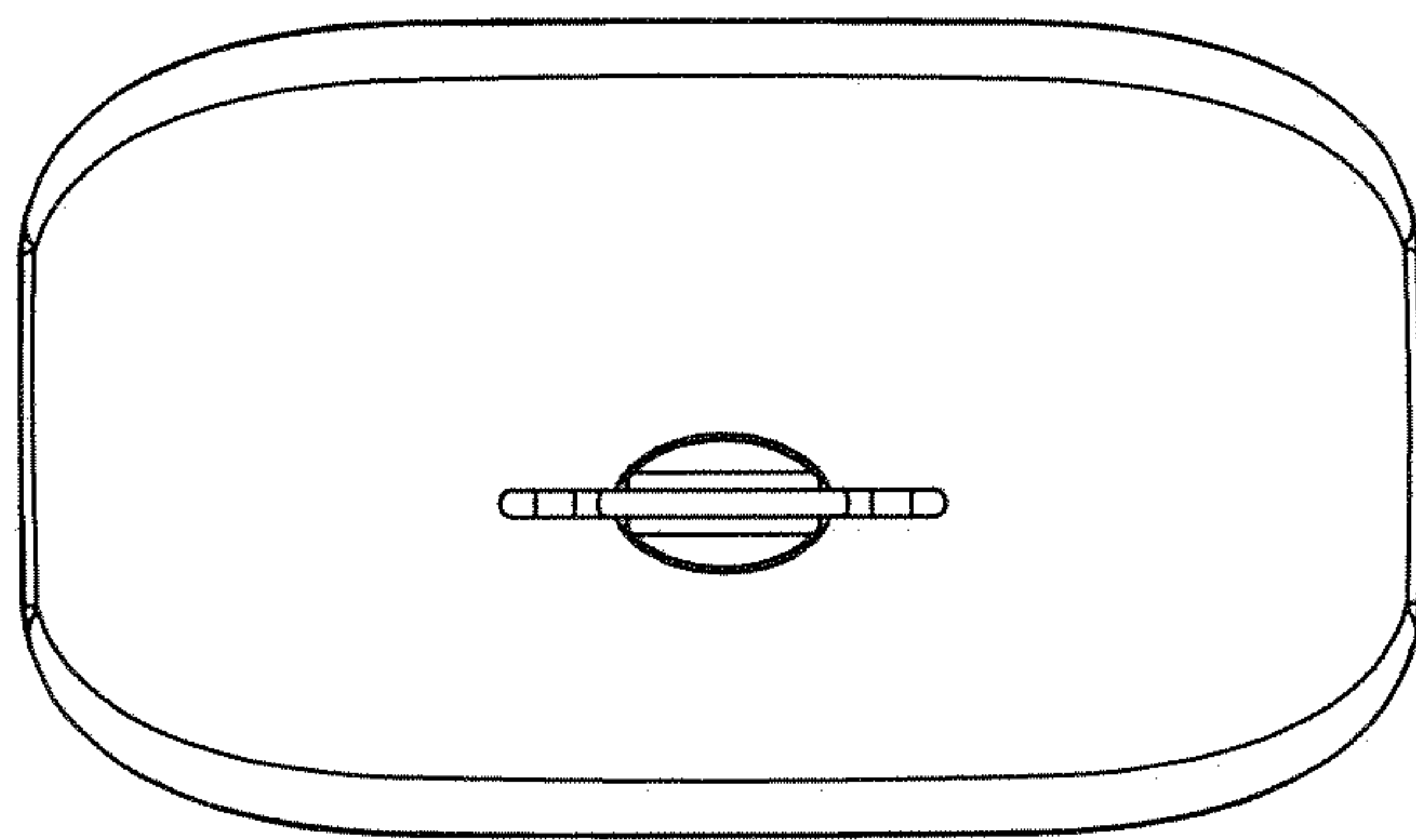


FIG. 2

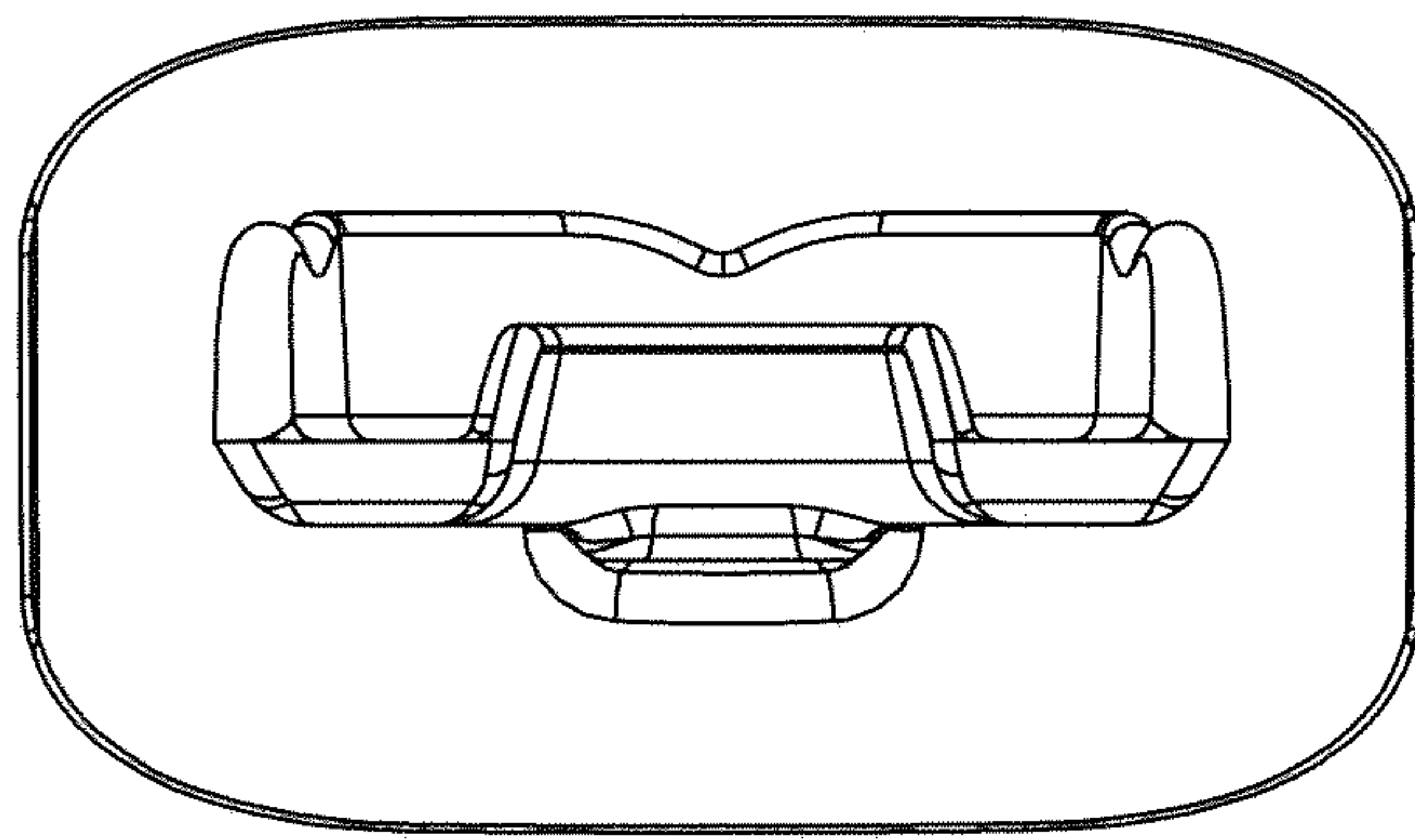


FIG. 3

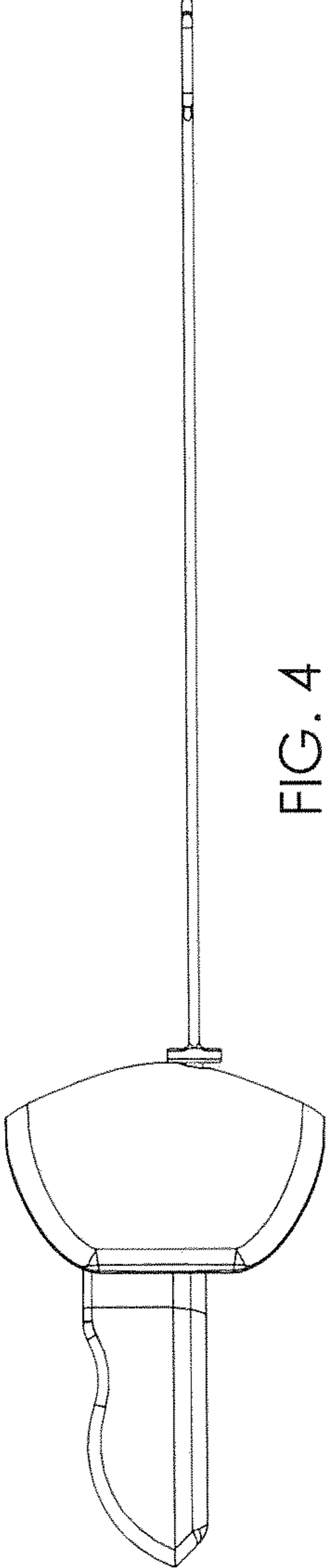


FIG. 4

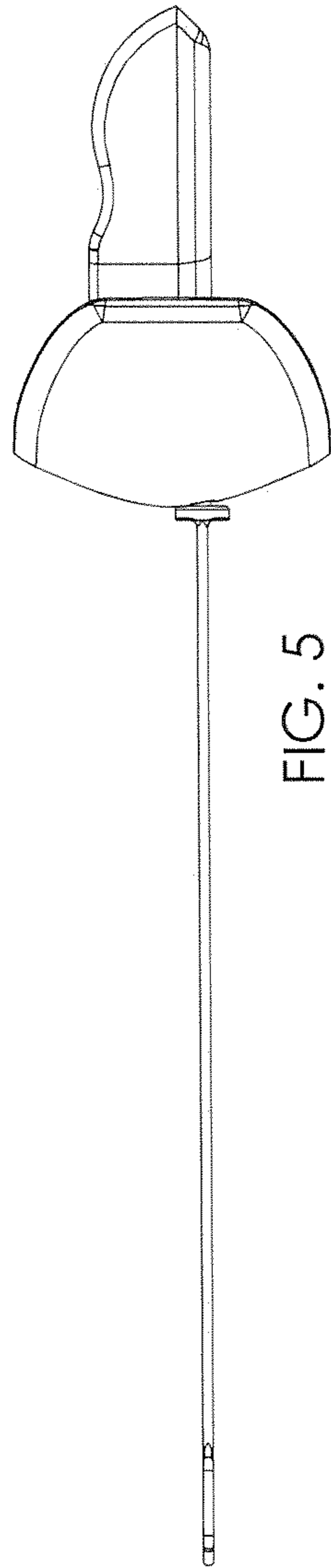


FIG. 5



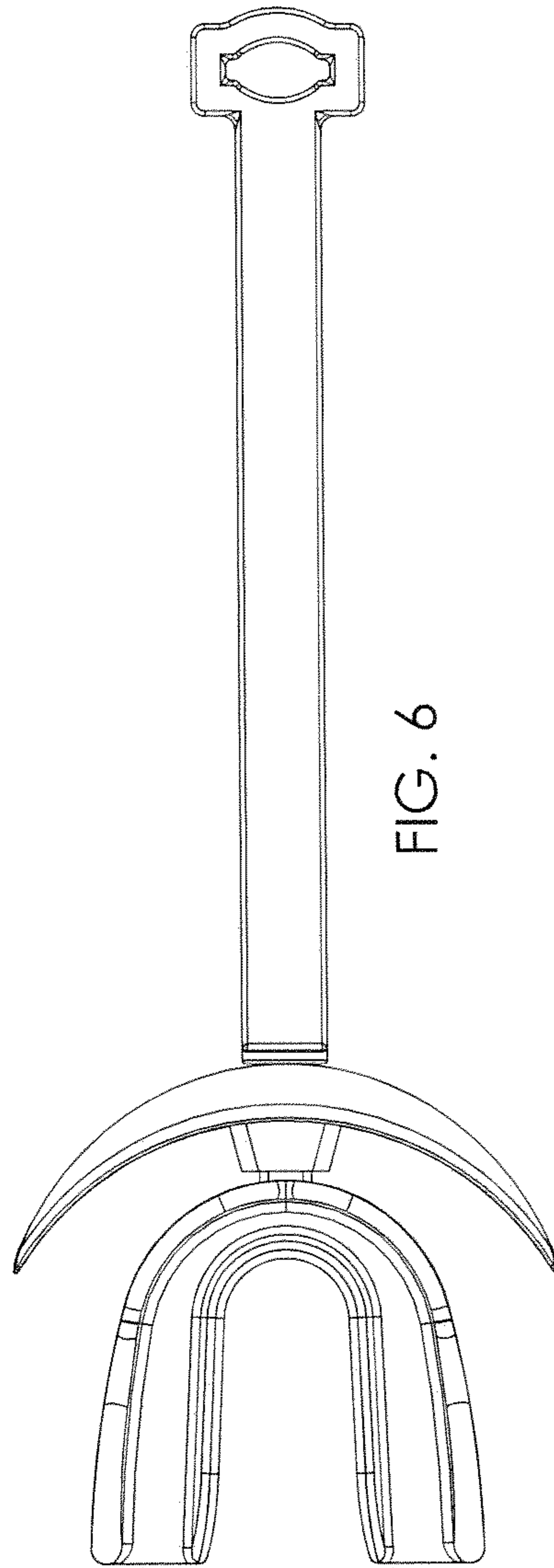


FIG. 6



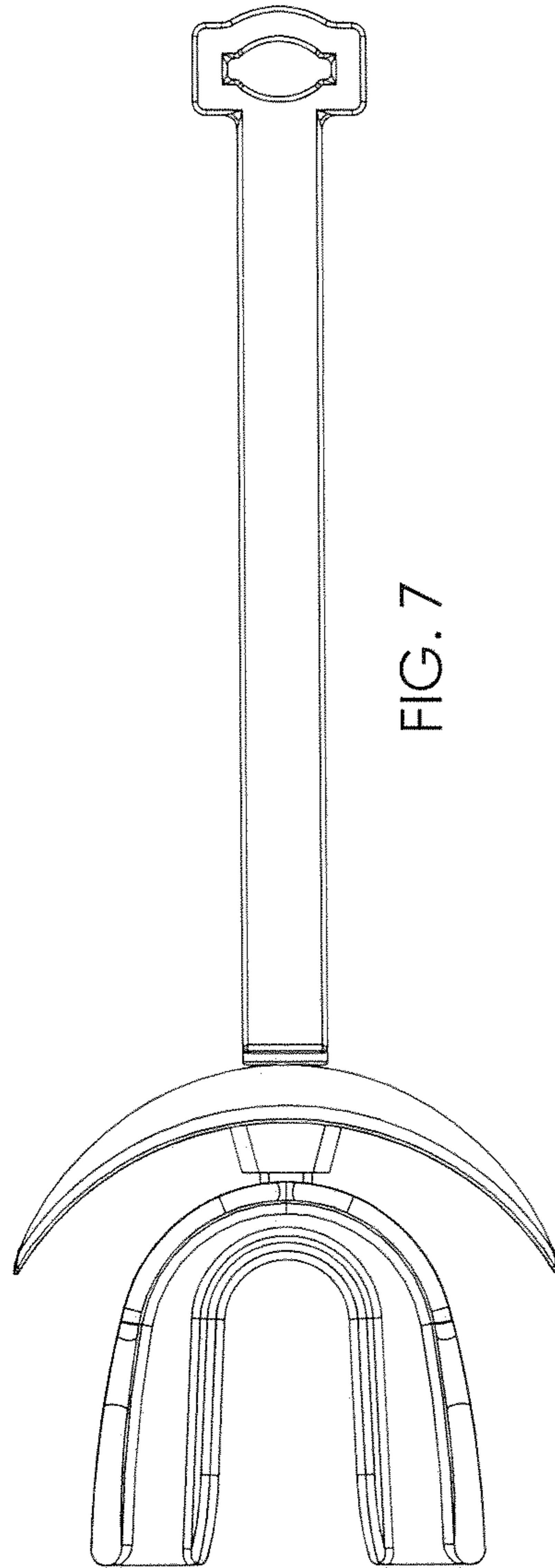


FIG. 7